

US00D871187S

(12) **United States Design Patent** (10) **Patent No.:** **US D871,187 S**  
**Marfione** (45) **Date of Patent:** **\*\* Dec. 31, 2019**

(54) **SWITCHBLADE**  
(71) Applicant: **Anthony Louis Marfione**, Fletcher, NC (US)  
(72) Inventor: **Anthony Louis Marfione**, Fletcher, NC (US)  
(73) Assignee: **Microtech Knives, Inc.**, Bradford, PA (US)  
(\*\*) Term: **15 Years**  
(21) Appl. No.: **29/660,693**  
(22) Filed: **Aug. 22, 2018**  
(51) **LOC (12) Cl.** ..... **08-03**  
(52) **U.S. Cl.**  
USPC ..... **D8/99**  
(58) **Field of Classification Search**  
USPC ..... D8/98, 99, 100, 105, 107; D22/118  
CPC ..... B26B 5/001; B26B 5/003; B26B 11/00;  
B26B 1/08; B26B 1/02; B26B 1/10;  
B26B 1/04  
See application file for complete search history.

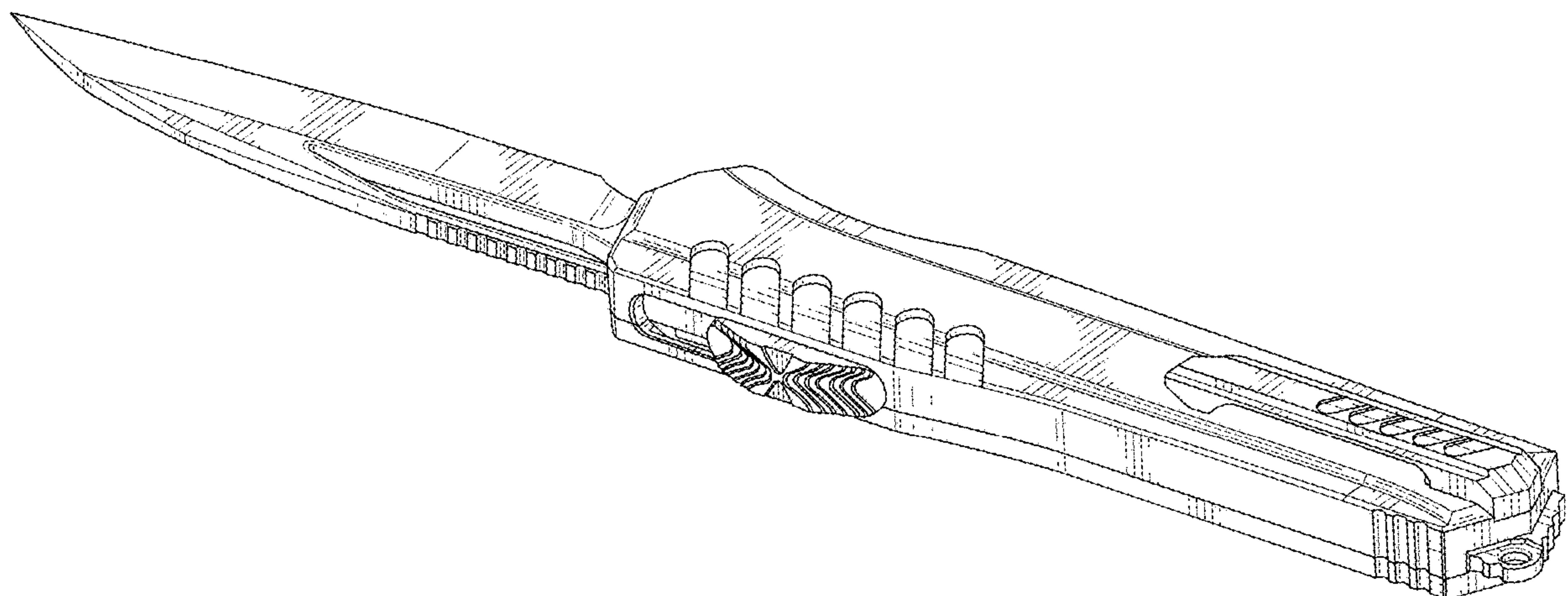
9,375,854 B2 6/2016 Chu  
9,498,889 B1 \* 11/2016 Hawk ..... B26B 1/08  
D796,932 S \* 9/2017 Sung ..... D8/99  
9,764,485 B1 9/2017 Hawk  
D810,540 S \* 2/2018 Marfione ..... D8/99  
10,220,527 B1 3/2019 Marfione  
D863,019 S \* 10/2019 Chalfant ..... D8/99  
2006/0207102 A1 \* 9/2006 Bezold ..... B26B 1/08  
30/162  
2007/0175045 A1 \* 8/2007 McHenry ..... B26B 1/08  
30/162  
2008/0222895 A1 \* 9/2008 Marfione ..... A62B 3/00  
30/151  
2008/0222897 A1 \* 9/2008 Marfione ..... B26B 1/08  
30/162  
2009/0235543 A1 \* 9/2009 Hayashi ..... G01C 3/02  
33/293

\* cited by examiner  
*Primary Examiner* — Philip S Hyder  
(74) *Attorney, Agent, or Firm* — Steve LeBlanc, LLC

(57) **CLAIM**  
The ornamental design for a switchblade, as shown and described.

(56) **References Cited**  
U.S. PATENT DOCUMENTS  
D496,425 S \* 9/2004 Carter, III ..... D22/118  
D510,514 S \* 10/2005 Ray ..... D8/99  
D560,994 S \* 2/2008 Green ..... D8/99  
7,562,455 B2 7/2009 McHenry  
7,574,804 B2 8/2009 Bezold  
D666,887 S \* 9/2012 Wattenberg ..... D8/99  
8,595,941 B2 \* 12/2013 Lee ..... B26B 1/08  
30/151  
8,671,578 B1 3/2014 Frazer

**DESCRIPTION**  
FIG. 1 is a perspective view of the switchblade;  
FIG. 2 is a front view of the switchblade;  
FIG. 3 is a rear view of the switchblade;  
FIG. 4 is a left side view of the switchblade;  
FIG. 5 is a right side view of the switchblade;  
FIG. 6 is a top view of the switchblade; and,  
FIG. 7 is a bottom view of the switchblade.  
**1 Claim, 4 Drawing Sheets**



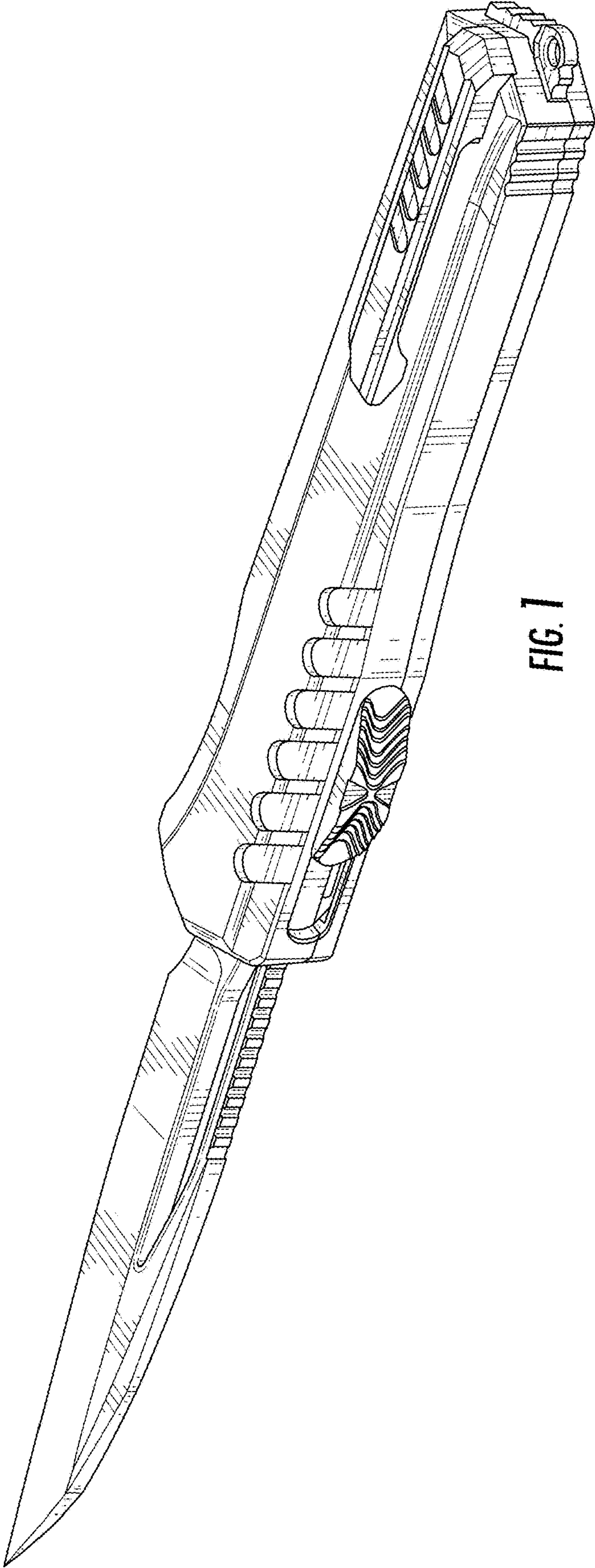
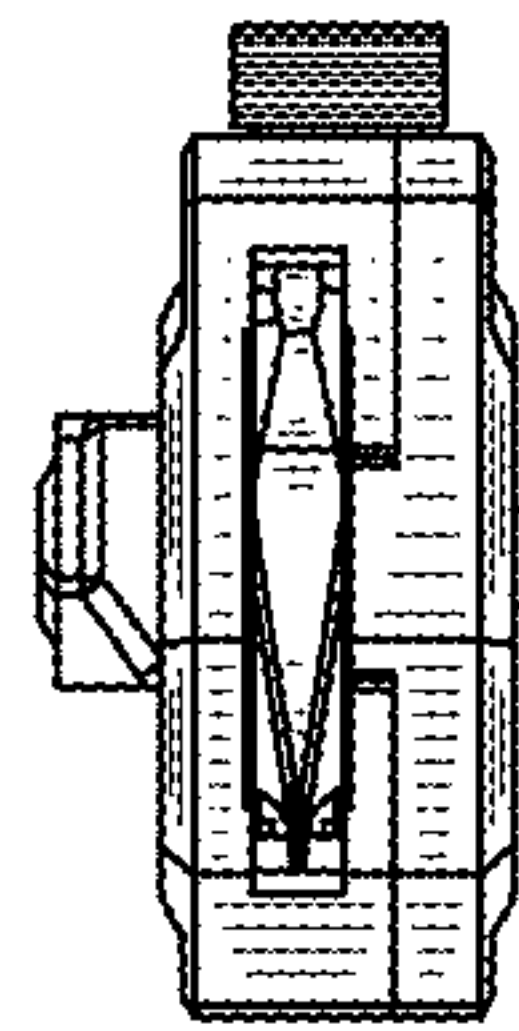
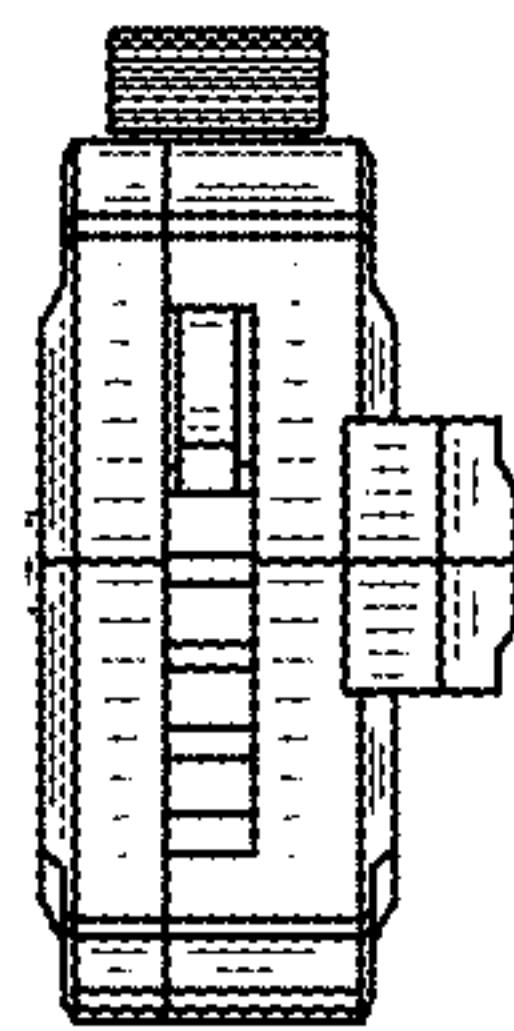


FIG. 1



**FIG. 2**



**FIG. 3**

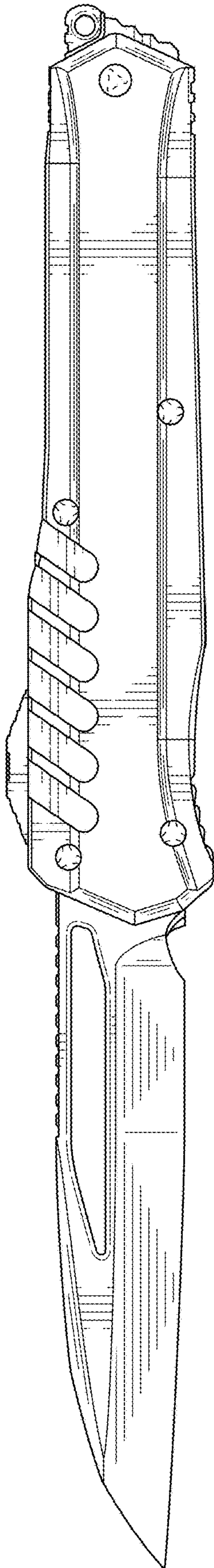


FIG. 4

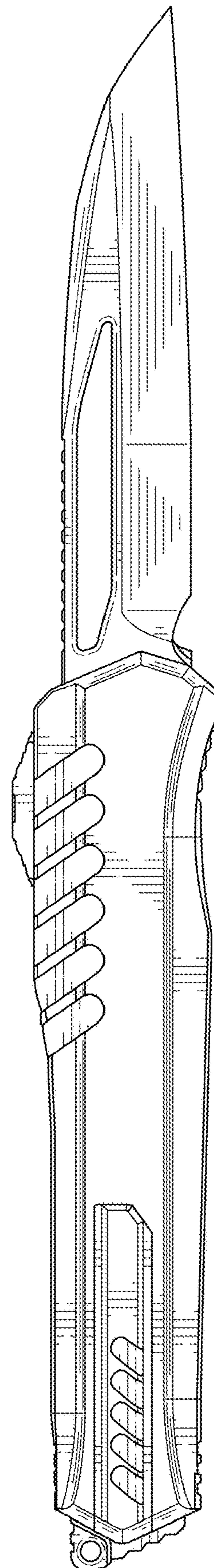


FIG. 5



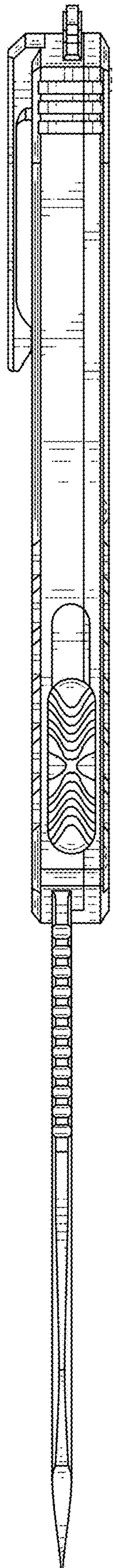


FIG. 6

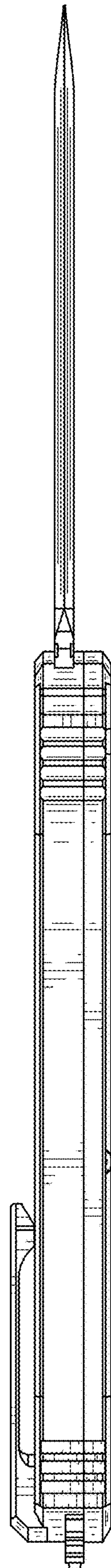


FIG. 7