



US00D871185S

(12) **United States Design Patent** (10) **Patent No.:** **US D871,185 S**  
**Kaye, Jr. et al.** (45) **Date of Patent:** **\*\* Dec. 31, 2019**

(54) **BLADE FOR OSCILLATING POWER TOOLS**

(71) Applicant: **BLACK & DECKER INC.**, New Britain, CT (US)

(72) Inventors: **Thomas R. Kaye, Jr.**, Fallston, MD (US); **Bradley J. Nohr**, Bel Air, MD (US)

(73) Assignee: **BLACK & DECKER INC.**, New Britain, CT (US)

(\*\*) Term: **15 Years**

(21) Appl. No.: **29/639,883**

(22) Filed: **Mar. 9, 2018**

**Related U.S. Application Data**

(63) Continuation of application No. 29/591,013, filed on Jan. 16, 2017, now Pat. No. Des. 814,900.

(51) **LOC (12) Cl.** ..... **08-05**

(52) **U.S. Cl.**  
USPC ..... **D8/70; D8/20**

(58) **Field of Classification Search**  
USPC ..... D8/14, 16, 19, 20, 70, 98; D15/17, 129, D15/134, 138, 139  
CPC ..... B23D 49/14; B23D 61/003; B23D 61/02; B23D 61/12; B23D 61/121; B23D 61/123; B23D 61/126; B23D 61/128; B25F 3/00; B25F 1/006; B25F 1/02; D26B 5/001

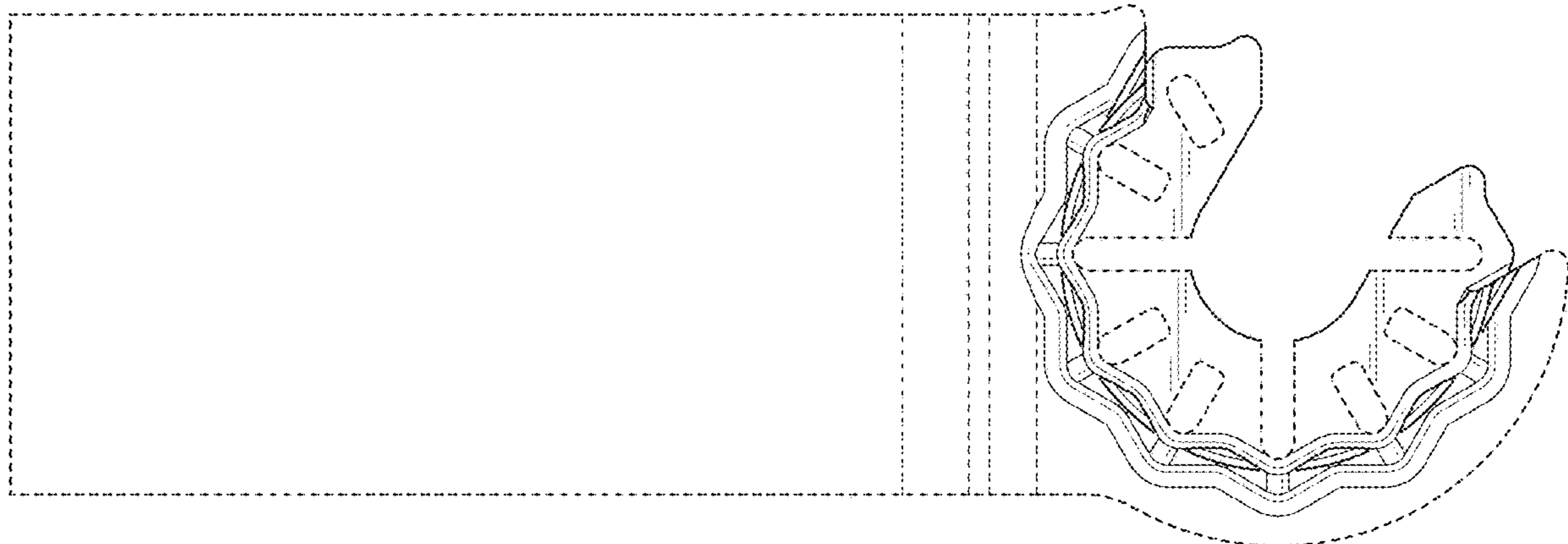
See application file for complete search history.

(56) **References Cited**

**U.S. PATENT DOCUMENTS**

694,597 A	3/1902	Wood
2,305,465 A	12/1942	Bangser
D137,633 S	4/1944	Jacobsen
2,682,184 A	6/1954	Szarkowski
2,693,365 A	11/1954	Zelewsky
2,766,791 A	10/1956	Givens
2,785,515 A	3/1957	Sansig
2,997,819 A	8/1961	Schact

3,055,497 A	9/1962	Klonski
3,436,875 A	4/1969	Cheney
3,440,915 A	4/1969	Weyant
3,554,197 A	1/1971	Dobble
3,656,393 A	4/1972	Goellner
3,706,474 A	12/1972	Neuenburg
3,905,374 A	9/1975	Winter
3,943,934 A	3/1976	Bent
4,015,371 A	4/1977	Grayston
4,059,930 A	11/1977	Alessio
4,106,181 A	8/1978	Mattchen
4,112,541 A	9/1978	Tetradis
4,252,121 A	2/1981	Arnegger
4,253,776 A	3/1981	Orain
4,265,285 A	5/1981	Fodor
4,386,609 A	6/1983	Mongeon
4,393,626 A	7/1983	Schroer
4,513,742 A	4/1985	Arnegger
4,590,837 A	5/1986	Nanba
4,597,227 A	7/1986	Gentischer et al.
4,599,077 A	7/1986	Vuillard
4,648,735 A	3/1987	Oddenino
4,700,478 A	10/1987	Mezger et al.
4,784,034 A	11/1988	Stones et al.
4,825,091 A	4/1989	Breyer et al.
4,891,884 A	1/1990	Torbet
RE33,335 E	9/1990	Gentischer et al.
4,980,976 A	1/1991	Junginger et al.
4,989,374 A	2/1991	Rudolf et al.
5,022,188 A	6/1991	Borst
5,027,684 A	7/1991	Neukam
5,038,478 A	8/1991	Mezger et al.
5,064,325 A	11/1991	McRoskey
5,085,589 A	2/1992	Kan
5,107,737 A	4/1992	Tagliaferri
5,122,142 A	6/1992	Pascaloff
5,157,873 A	10/1992	Rudolf et al.
5,199,223 A	4/1993	Rudolf et al.
5,219,378 A	6/1993	Arnold
5,235,719 A	8/1993	Wimberley
5,263,283 A	11/1993	Rudolf et al.
5,265,343 A	11/1993	Pascaloff
5,269,784 A	12/1993	Mast
D343,247 S	1/1994	Walén
5,303,688 A	4/1994	Chiuminatta et al.
5,306,025 A	4/1994	Langhoff
5,306,285 A	4/1994	Miller et al.
5,309,805 A	5/1994	Mezger et al.
5,352,229 A	10/1994	Goble et al.
5,366,312 A	11/1994	Raines
5,382,249 A	1/1995	Fletcher
5,423,825 A	6/1995	Levine
5,435,063 A	7/1995	Russo



# US D871,185 S

D360,946 S	8/1995	Goris	7,225,714 B2	6/2007	Rompel et al.
5,440,811 A	8/1995	Challis	7,237,988 B2	7/2007	Steadings et al.
D362,065 S	9/1995	Goris	7,258,351 B2	8/2007	Hoffmann et al.
5,468,176 A	11/1995	Udert et al.	7,258,515 B2	8/2007	Krondorfer
5,468,247 A	11/1995	Matthai et al.	7,328,752 B2	2/2008	Gass et al.
5,480,507 A	1/1996	Arnold	7,334,511 B2	2/2008	Hesselberg et al.
5,489,285 A	2/1996	Goris	D563,186 S	3/2008	Ahn
5,496,316 A	3/1996	Goris	7,344,435 B2	3/2008	Pollak et al.
D368,777 S	4/1996	Goble et al.	7,447,565 B2	11/2008	Cerwin
5,507,763 A	4/1996	Petersen et al.	7,478,979 B2	1/2009	Zhou et al.
D374,286 S	10/1996	Goble et al.	7,481,608 B2	1/2009	Zhou et al.
D374,287 S	10/1996	Goble et al.	7,497,860 B2	3/2009	Carusillo et al.
D374,482 S	10/1996	Goble et al.	7,527,628 B2	5/2009	Fletcher et al.
5,658,304 A	8/1997	Lim	7,533,470 B2	5/2009	Nottingham et al.
5,676,680 A	10/1997	Lim	7,537,065 B2	5/2009	Gallagher et al.
5,694,693 A	12/1997	Hutchins et al.	7,540,334 B2	6/2009	Gass et al.
5,702,415 A	12/1997	Matthai et al.	7,690,871 B2	4/2010	Steadings et al.
5,729,904 A	3/1998	Trott	7,699,566 B2	4/2010	Nickels, Jr. et al.
5,735,866 A	4/1998	Adams et al.	7,717,191 B2	5/2010	Trautner
D394,315 S	5/1998	Fisher	7,717,192 B2	5/2010	Schroeder et al.
5,785,571 A	7/1998	Camp	7,726,917 B2	6/2010	Mack
5,829,931 A	11/1998	Doumani	7,735,575 B2	6/2010	Trautner
5,839,196 A	11/1998	Trott	7,746,448 B2	6/2010	Franitza et al.
5,848,473 A	12/1998	Brandenburg, Jr.	D619,152 S	7/2010	Evatt et al.
D404,485 S	1/1999	Hutchins et al.	7,753,381 B2	7/2010	Nickels, Jr. et al.
5,857,237 A	1/1999	Dranginis	7,762,349 B2	7/2010	Trautner et al.
D405,177 S	2/1999	Hutchins et al.	7,784,166 B2	8/2010	Tanner
D406,223 S	3/1999	Tran	D623,034 S	9/2010	Evatt et al.
5,957,469 A	9/1999	Miles et al.	7,798,245 B2	9/2010	Trautner
6,022,353 A	2/2000	Fletcher et al.	7,833,241 B2	11/2010	Gant
6,073,939 A	6/2000	Steadings et al.	7,841,601 B2	11/2010	Mack
6,082,515 A	7/2000	Oono et al.	7,854,274 B2	12/2010	Trautner et al.
6,099,397 A	8/2000	Wurst	D633,769 S	3/2011	Evatt et al.
6,116,996 A	9/2000	Yanase	D633,928 S	3/2011	Nilsson et al.
6,132,282 A	10/2000	Camp	7,901,424 B2	3/2011	Fletcher et al.
6,132,300 A	10/2000	Martin	7,950,152 B2	5/2011	Gallego
6,179,301 B1	1/2001	Steadings et al.	7,976,253 B2	7/2011	Steadings et al.
6,196,554 B1	3/2001	Gaddis et al.	7,987,920 B2	8/2011	Schroeder et al.
6,241,259 B1	6/2001	Gaddis et al.	7,997,586 B2	8/2011	Ziegler et al.
6,340,022 B1	1/2002	Schroer	D646,539 S	10/2011	Maras
D459,805 S	7/2002	Pascaloff	D646,540 S	10/2011	Maras
6,430,465 B2	8/2002	Cutler	D646,542 S	10/2011	Wackwitz
6,434,835 B1	8/2002	Grunikiewicz et al.	8,038,156 B2	10/2011	Nickels, Jr. et al.
6,435,621 B1	8/2002	Steadings et al.	D648,762 S	11/2011	Mack
D462,766 S	9/2002	Jacobs et al.	8,047,100 B2	11/2011	King
6,488,287 B2	12/2002	Gaddis et al.	D651,062 S	12/2011	Wackwitz
6,499,381 B2	12/2002	Ladish et al.	8,070,168 B2	12/2011	Mack
6,503,253 B1	1/2003	Fletcher et al.	8,082,671 B2	12/2011	Saegesser
6,536,536 B1	3/2003	Gass et al.	D651,499 S *	1/2012	Tong ..... D8/70
6,569,001 B2	5/2003	Rudolf et al.	D651,874 S	1/2012	Davidian et al.
6,629,484 B2	10/2003	Soyama et al.	D651,875 S	1/2012	Davidian et al.
6,678,062 B2	1/2004	Haugen et al.	D651,876 S	1/2012	Davidian et al.
6,705,807 B1	3/2004	Rudolph et al.	D651,877 S	1/2012	Davidian et al.
6,723,101 B2	4/2004	Fletcher et al.	D651,878 S	1/2012	Davidian et al.
D489,823 S	5/2004	Fisher et al.	D652,274 S	1/2012	Davidian et al.
6,747,745 B2	6/2004	Ishikawa et al.	D653,523 S	2/2012	Wackwitz et al.
6,796,888 B2	9/2004	Jasch	8,109,343 B2	2/2012	Schroeder et al.
6,802,764 B2	10/2004	Besch	8,113,520 B2	2/2012	Zaiser et al.
6,832,764 B2	12/2004	Steadings et al.	8,151,679 B2	4/2012	Bohne
6,834,730 B2	12/2004	Gass et al.	D665,242 S	8/2012	Wackwitz
6,865,813 B2	3/2005	Pollak	D669,754 S	10/2012	Wackwitz
6,869,346 B2	3/2005	Wendt et al.	D682,651 S	5/2013	McRoberts et al.
6,945,862 B2	9/2005	Jasch et al.	D682,652 S	5/2013	McRoberts et al.
6,949,110 B2	9/2005	Ark et al.	D693,193 S *	11/2013	Bozic ..... D8/20
6,968,933 B2	11/2005	Buckhouse et al.	D694,076 S	11/2013	Davidian et al.
7,001,403 B2	2/2006	Hausmann et al.	D694,077 S *	11/2013	Bozic ..... D8/20
7,015,445 B2	3/2006	Bishop	8,585,469 B2	11/2013	Grunikiewicz
7,077,735 B2	7/2006	Krondorfer et al.	D694,596 S	12/2013	Davidian et al.
7,093,668 B2	8/2006	Gass et al.	D694,597 S *	12/2013	Davidian ..... D8/20
7,107,691 B2	9/2006	Nottingham et al.	D694,598 S *	12/2013	Davidian ..... D8/20
7,115,027 B2	10/2006	Thomaschewski	D694,599 S	12/2013	Davidian et al.
7,121,358 B2	10/2006	Gass et al.	8,616,562 B2	12/2013	Maras
7,128,503 B2	10/2006	Steadings et al.	D697,384 S *	1/2014	Wackwitz ..... D15/140
7,169,025 B2	1/2007	Schumacher	D697,776 S	1/2014	Bozic
7,175,625 B2	2/2007	Culbert	D697,777 S	1/2014	Bozic
7,189,239 B2	3/2007	Fisher et al.	D706,595 S	6/2014	Kaye et al.
7,207,873 B2	4/2007	Hesse et al.	8,827,278 B2	9/2014	Chen et al.
7,217,177 B2	5/2007	Frech et al.	8,915,499 B2	12/2014	Kaye et al.
D544,007 S	6/2007	Marasco	8,925,931 B2	1/2015	Sergyeyenko et al.

# US D871,185 S

8,950,756 B2	2/2015	Lu et al.	2011/0266757 A1	11/2011	Steadings et al.	
9,044,874 B2	6/2015	Zhang et al.	2011/0266758 A1	11/2011	Sergyeyenko et al.	
D734,649 S	7/2015	Wackwitz	2011/0266759 A1	11/2011	Goldman	
9,073,195 B2	7/2015	Kaye, Jr. et al.	2011/0277611 A1*	11/2011	Chen .....	B23D 61/006
9,120,216 B2	9/2015	Zhang et al.				83/699.51
D741,135 S *	10/2015	Yang .....	2011/0291368 A1	12/2011	Chen et al.	
D741,136 S *	10/2015	Yang .....	2011/0309589 A1	12/2011	Maras	
9,186,770 B2	11/2015	Montplaisir et al.	2011/0315414 A1	12/2011	Kuntner et al.	
D746,655 S	1/2016	Wackwitz	2011/0316241 A1	12/2011	Zhang et al.	
9,242,361 B2	1/2016	Kaye, Jr. et al.	2011/0316242 A1	12/2011	Zhang et al.	
D750,461 S *	3/2016	McRoberts .....	2012/0025476 A1	2/2012	Nickels, Jr. et al.	
9,486,909 B2	11/2016	Zieger et al.	2012/0031636 A1	2/2012	King	
9,555,554 B2	1/2017	Thorson et al.	2012/0073410 A1	3/2012	Hoffman et al.	
D789,759 S	6/2017	Fellmann et al.	2012/0090863 A1	4/2012	Puzio et al.	
9,694,472 B2	7/2017	Luescher et al.	2012/0144676 A1	6/2012	Davidian et al.	
9,737,969 B2	8/2017	Bek et al.	2012/0144971 A1	6/2012	Bohne	
D809,356 S *	2/2018	Butscher .....	2012/0169018 A1	7/2012	Lu et al.	
D814,900 S *	4/2018	Kaye, Jr. ....	2012/0170976 A1	7/2012	Cal	
D817,127 S *	5/2018	Gopi .....	2013/0104719 A1	5/2013	Rubens et al.	
D817,128 S *	5/2018	Gopi .....	2013/0193655 A1	8/2013	Kaye et al.	
2001/0041524 A1	11/2001	Steiger et al.	2014/0035242 A1	2/2014	Kaye et al.	
2002/0070037 A1	6/2002	Jasch	2014/0190328 A1*	7/2014	Karlen .....	B23D 61/006
2002/0104421 A1	8/2002	Wurst				83/853
2002/0116023 A1	8/2002	Fletcher et al.	2014/0252729 A1	9/2014	Xu	
2002/0198556 A1	12/2002	Ark et al.	2014/0299345 A1	10/2014	McRoberts et al.	
2003/0014067 A1	1/2003	Kullmer et al.	2014/0325855 A1*	11/2014	Bozic .....	B23D 61/006
2003/0032971 A1	2/2003	Hausmann et al.				30/392
2004/0098000 A1	5/2004	Kleinwaechter	2015/0107096 A1	4/2015	Luescher	
2004/0138668 A1	7/2004	Fisher et al.	2016/0096261 A1	4/2016	Kaye, Jr. et al.	
2004/0204731 A1	10/2004	Gant	2016/0184956 A1	6/2016	Klabunde et al.	
2004/0243136 A1	12/2004	Gupta et al.	2016/0199919 A1	7/2016	Klabunde et al.	
2005/0178261 A1	8/2005	Thomaschewski	2016/0288288 A1	10/2016	Klabunde et al.	
2005/0245935 A1	11/2005	Casey et al.				
2006/0150428 A1	7/2006	Baculy				
2006/0172669 A1	8/2006	Hesse et al.				
2006/0217048 A1	9/2006	Frech et al.				
2006/0272468 A1	12/2006	Gupta et al.				
2006/0282108 A1	12/2006	Tanner				
2007/0060030 A1	3/2007	Pollak et al.				
2007/0093190 A1	4/2007	Schomisch				
2007/0229853 A1	10/2007	Cheng				
2007/0266837 A1	11/2007	Nickels et al.				
2007/0295156 A1	12/2007	Ziegler et al.				
2007/0295165 A1	12/2007	Tanaka et al.				
2008/0027449 A1	1/2008	Gundlapalli et al.				
2008/0190259 A1	8/2008	Bohne				
2008/0196911 A1	8/2008	Krapf et al.				
2009/0013540 A1	1/2009	Bohne				
2009/0023371 A1	1/2009	Blickle et al.				
2009/0051094 A1	2/2009	Sandmeier				
2009/0093815 A1	4/2009	Fletcher et al.				
2009/0138017 A1	5/2009	Carusillo et al.				
2009/0197514 A1	8/2009	Peisert				
2009/0198465 A1	8/2009	Decker et al.				
2009/0277022 A1	11/2009	Limberg et al.				
2009/0312761 A1	12/2009	Boykin et al.				
2009/0312762 A1	12/2009	Boykin				
2009/0312779 A1	12/2009	Boykin et al.				
2009/0318065 A1	12/2009	Zaiser et al.				
2009/0320625 A1	12/2009	Kildevaeld				
2009/0321625 A1	12/2009	Sieradzki et al.				
2010/0003906 A1	1/2010	Zaiser et al.				
2010/0009613 A1	1/2010	Frueh				
2010/0052269 A1	3/2010	Zaiser et al.				
2010/0056029 A1	3/2010	Grunikiewicz				
2010/0193207 A1	8/2010	Mok et al.				
2010/0197208 A1	8/2010	Blickle et al.				
2010/0288099 A1	11/2010	Steiger				
2010/0300714 A1	12/2010	Trautner				
2011/0000690 A1	1/2011	Kildevaeld				
2011/0011605 A1	1/2011	Kildevaeld				
2011/0067894 A1	3/2011	Bernardi				
2011/0072946 A1	3/2011	Bernardi et al.				
2011/0086582 A1	4/2011	Takemura et al.				
2011/0097978 A1	4/2011	Hofmann et al.				
2011/0127731 A1	6/2011	Woecht et al.				
2011/0139472 A1	6/2011	Bohne				
2011/0147023 A1	6/2011	Herr				
2011/0227300 A1	9/2011	Zhang et al.				

## FOREIGN PATENT DOCUMENTS

AU	2006305634	4/2007
CH	657411 A5	8/1986
CN	201728642	2/2011
CN	201824333 U	5/2011
DE	3833735 A1	4/1939
DE	1878647 U	8/1963
DE	2915292 A1	10/1980
DE	2935731 A1	4/1981
DE	3203670 A1	8/1983
DE	3520417 A1	12/1985
DE	8618695 U1	9/1989
DE	4036904 C1	5/1992
DE	4209146 A1	9/1992
DE	4209146 A1	9/1992
DE	29605728 U1	9/1996
DE	29607061 U1	10/1996
DE	29810157 U1	8/1998
DE	19736933 C1	10/1998
DE	29907671 U1	8/1999
DE	29809788 U1	9/1999
DE	19825408 A1	12/1999
DE	20303018 U1	4/2003
DE	10231393	1/2004
DE	10307840 B3	6/2004
DE	10325392 A1	12/2004
DE	102004020982 A1	11/2005
DE	202006001643 U1	3/2006
DE	102004050799 A1	4/2006
DE	102007018465 A1	10/2008
DE	102007018467 A1	10/2008
DE	202009004549 U1	6/2009
DE	202008001759 U1	7/2009
DE	102008001234 A1	10/2009
DE	202009013147 U1	1/2010
DE	202008011959 U1	2/2010
DE	102009030854 A1	1/2011
DE	202011050164 U1	10/2011
DE	202011050511 U1	11/2011
DE	202011051408 U1	2/2012
DE	202011051408 U1	2/2012
DE	102011005818 A1	9/2012
DE	102011085561 A1	12/2012
DE	102012201624 A1	8/2013
EP	0443362 A2	8/1991

EP	0554929	A1	8/1993
EP	0695607	A1	2/1996
EP	0776634	A2	6/1997
EP	0962283	A1	12/1999
EP	1694477	A1	6/2005
EP	1687120	A1	8/2006
EP	1819490	A1	8/2007
EP	1852218	A1	11/2007
EP	1882538	A2	1/2008
EP	2085182	A1	8/2009
EP	2143531	A1	1/2010
EP	2152475	A1	2/2010
EP	2159000	A1	3/2010
EP	2382929	A1	11/2011
FR	2968589	A3	6/2012
JP	1158205	A	6/1989
JP	2006263914	A	10/2006
WO	WO-9424945	A1	11/1994
WO	WO-03097299	A1	11/2003
WO	WO-2004043269	A1	5/2004
WO	WO-2005056256	A1	6/2005
WO	WO-2006017066	A2	2/2006
WO	WO-2008151866	A1	12/2008
WO	WO-2009151958	A2	12/2009
WO	WO-2009151959	A1	12/2009
WO	WO-2009151965	A1	12/2009
WO	WO-2010020458	A1	2/2010
WO	WO-2013087960	A1	5/2013

OTHER PUBLICATIONS

Gates, Andrew Eric—Extended European Search Report re corresponding EP application No. 18181208.2-1019—Oct. 16, 2018—9 pages—Munich Germany.

Zimmer Inc., Brochure “Air Drive Blades—The Next Generation” dated Jun. 28, 1993, 1 page; © 1993 Zimmer, Inc.

Zimmer, Inc., Brochure “More Versatile ‘Graft’ Blades Available” dated Feb. 15, 1993, 2 pages; © 1993 Zimmer, Inc.

Materials from Stryker Corporation Brochure published prior to Jan. 1, 1994.

Aloe Medical Instruments “Gail Ball Retractor” Item B-1323, p. 115 © 1965.

Stryker Maintenance Manual entitled “System II OrthoPower 90 Battery Powered Surgical Instruments”—For Use With: 298-92, 94,96, 98 (Stryker Surgical Brochure 298-92-16 Rev (Mar. 1986). Sketch A related to p. 9 of the Stryker Maintenance Manual entitled “System II OrthoPower 90 Battery Powered Surgical instruments” (Mar. 1986).

pp. 2, 3 and 5 of Stryker prior art brochure/-catalog No. 1420 Standard Bone Saw Handpiece, 1100 Series saw blades, and No. 1470 Sagittal Plane bone saw with Series 1370 blades.

Hall Surgical brochure—New Opposed-Tooth Blades—published prior to Jan. 1, 1994.

Dremel 6300-05 120-volt Multi-Max Oscillating Kit (retrieved on Sep. 30, 2014) viewed on the internet, <https://web.archive.org/web/20091224220316/http://www.amazon.com/Dremel-6300-05-120-Volt-Multi-Max-Oscillating/dp/B002WTCDXO> published on Dec. 24, 2009 as per Wayback Machine.

Dewaele, Karl—European Search Report—dated Jun. 20, 2014—7 pages—The Hague.

O’Connell, Wayne—Patent Examination Report No. 3 re Australian Patent Application No. 2011201633—dated Oct. 2, 2014—6 pages—Woden ACT, Canberra, Australia.

Dewaele, Karl—Examination Report re: European Patent Appln. No. 15160839.5-1701—dated Nov. 9, 2016—6 pages.

Kornmeier, Martin—Extended European Search Report re: related European Patent Appln. No. 13163356.4—dated Nov. 27, 2017—5 pages—European Patent Office—Munich.

Kornmeier, Martin—Search Report re European Patent Application No. 18200787.2-1016—dated Feb. 14, 2019—4 page—Munich.

Kornmeier, Martin—Search Report re European Patent Application No. 18200791.4-1016—dated Feb. 14, 2019—4 pages—Munich.

Kornmeier, Martin—Search Report re European Patent Application Application No. 18200668.4-1016—dated Feb. 14, 2019—4 pages—Munich.

Kornmeier, Martin—Communication Pursuant to Article 94(3) EPC re European Patent Application No. 18200787.2-1016—dated Mar. 13, 2019—6 pages—Munich.

Kornmeier, Martin—Communication Pursuant to Article 94(3) EPC re European Patent Application No. 18200791.4-1016—dated Mar. 13, 2019—6 pages—Munich.

Kornmeier, Martin—Communication Pursuant to Article 94(3) EPC re European Patent Application No. 18200668.4-1016—dated Mar. 13, 2019—6 pages—Munich.

\* cited by examiner

Primary Examiner — Darlington Ly

(74) Attorney, Agent, or Firm — Scott B. Markow

(57) CLAIM

The ornamental design for a blade for oscillating power tools, as shown and described.

DESCRIPTION

FIG. 1 is a top perspective view of a blade for oscillating power tools in accordance with a first embodiment;

FIG. 2 is a right side elevation view thereof;

FIG. 3 is a left side elevation view thereof;

FIG. 4 is a rear elevation view thereof;

FIG. 5 is a front elevation view thereof;

FIG. 6 is a top plan view thereof;

FIG. 7 is a bottom plan view thereof; and

FIG. 8 is a bottom perspective view thereof.

FIG. 9 is a top perspective view of a blade for oscillating power tools in accordance with a second embodiment;

FIG. 10 is a right side elevation view thereof;

FIG. 11 is a left side elevation view thereof;

FIG. 12 is a rear elevation view thereof;

FIG. 13 is a front elevation view thereof;

FIG. 14 is a top plan view thereof;

FIG. 15 is a bottom plan view thereof; and

FIG. 16 is a bottom perspective view thereof.

FIG. 17 is a top perspective view of a blade for oscillating power tools in accordance with a third embodiment;

FIG. 18 is a right side elevation view thereof;

FIG. 19 is a left side elevation view thereof;

FIG. 20 is a rear elevation view thereof;

FIG. 21 is a front elevation view thereof;

FIG. 22 is a top plan view thereof;

FIG. 23 is a bottom plan view thereof; and

FIG. 24 is a bottom perspective view thereof.

FIG. 25 is a top perspective view of a blade for oscillating power tools in accordance with a fourth embodiment;

FIG. 26 is a right side elevation view thereof;

FIG. 27 is a left side elevation view thereof;

FIG. 28 is a rear elevation view thereof;

FIG. 29 is a front elevation view thereof;

FIG. 30 is a top plan view thereof;

FIG. 31 is a bottom plan view thereof; and

FIG. 32 is a bottom perspective view thereof.

FIG. 33 is a top perspective view of a blade for oscillating power tools in accordance with a fifth embodiment;

FIG. 34 is a right side elevation view thereof;

FIG. 35 is a left side elevation view thereof;

FIG. 36 is a rear elevation view thereof;

FIG. 37 is a front elevation view thereof;

FIG. 38 is a top plan view thereof;  
FIG. 39 is a bottom plan view thereof; and  
FIG. 40 is a bottom perspective view thereof.  
FIG. 41 is a top perspective view of a blade for oscillating power tools in accordance with a sixth embodiment;  
FIG. 42 is a right side elevation view thereof;  
FIG. 43 is a left side elevation view thereof;  
FIG. 44 is a rear elevation view thereof;  
FIG. 45 is a front elevation view thereof;  
FIG. 46 is a top plan view thereof;  
FIG. 47 is a bottom plan view thereof; and  
FIG. 48 is a bottom perspective view thereof.  
FIG. 49 is a top perspective view of a blade for oscillating power tools in accordance with a seventh embodiment;  
FIG. 50 is a right side elevation view thereof;  
FIG. 51 is a left side elevation view thereof;  
FIG. 52 is a rear elevation view thereof;  
FIG. 53 is a front elevation view thereof;  
FIG. 54 is a top plan view thereof;  
FIG. 55 is a bottom plan view thereof; and  
FIG. 56 is a bottom perspective view thereof.  
FIG. 57 is a top perspective view of a blade for oscillating power tools in accordance with an eighth embodiment;  
FIG. 58 is a right side elevation view thereof;  
FIG. 59 is a left side elevation view thereof;  
FIG. 60 is a rear elevation view thereof;  
FIG. 61 is a front elevation view thereof;  
FIG. 62 is a top plan view thereof;  
FIG. 63 is a bottom plan view thereof; and,  
FIG. 64 is a bottom perspective view thereof.  
The broken lines in the drawings illustrate portions of the blade for oscillating power tools that form no part of the claimed design.

**1 Claim, 48 Drawing Sheets**

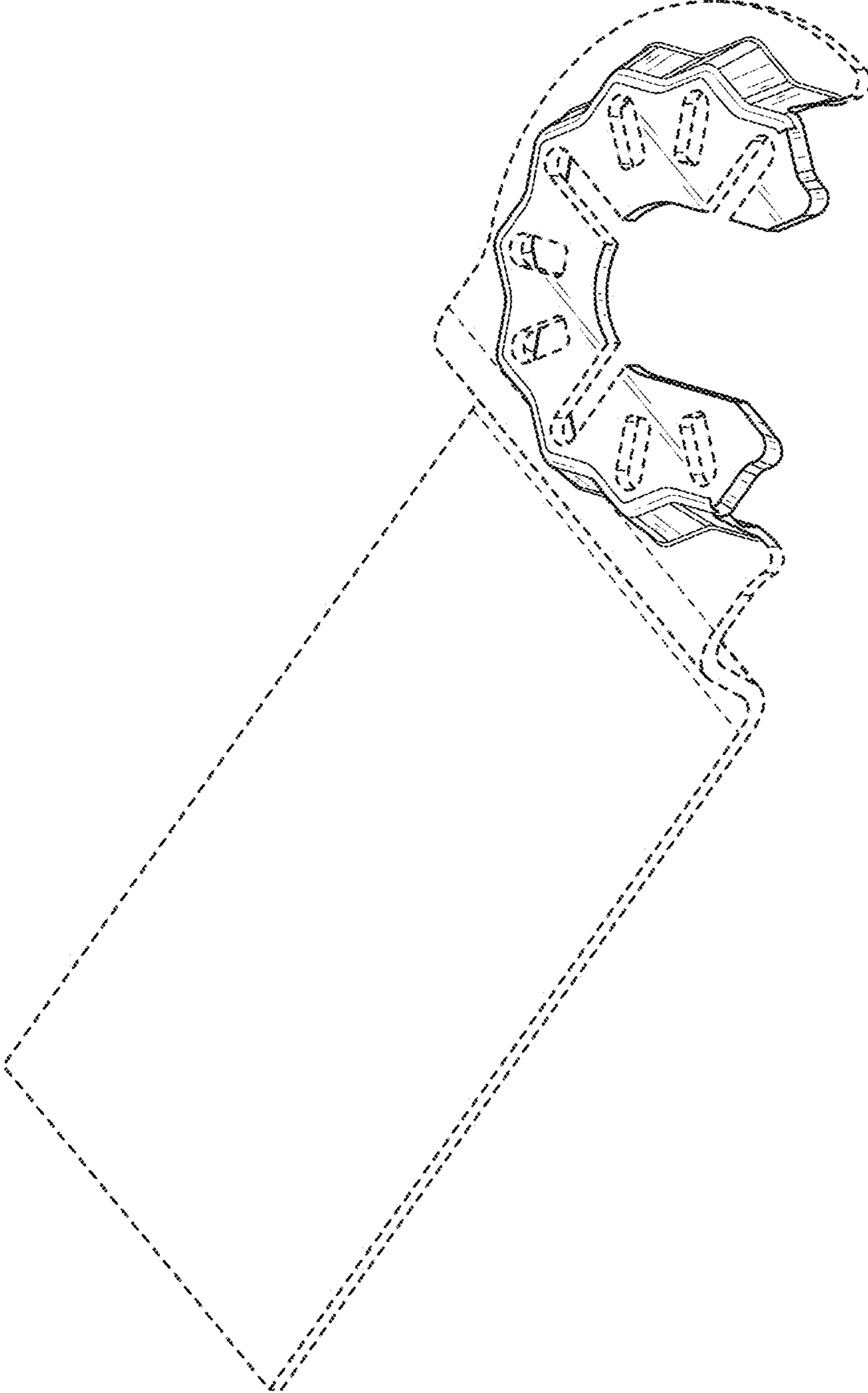


FIG. 1

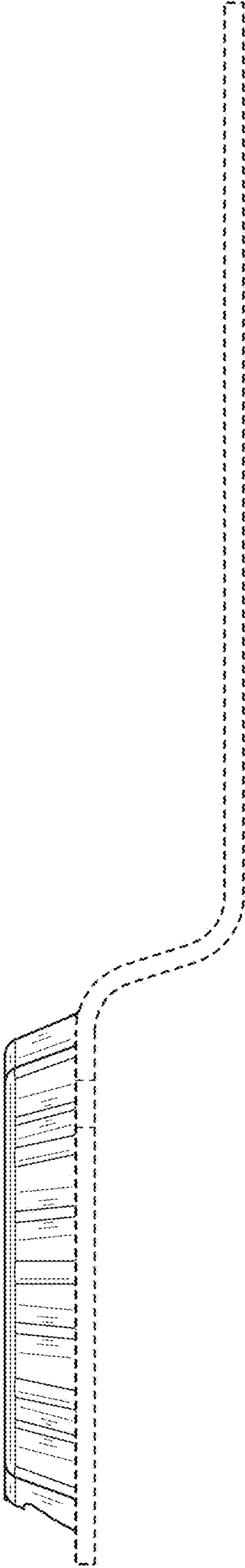


FIG. 2

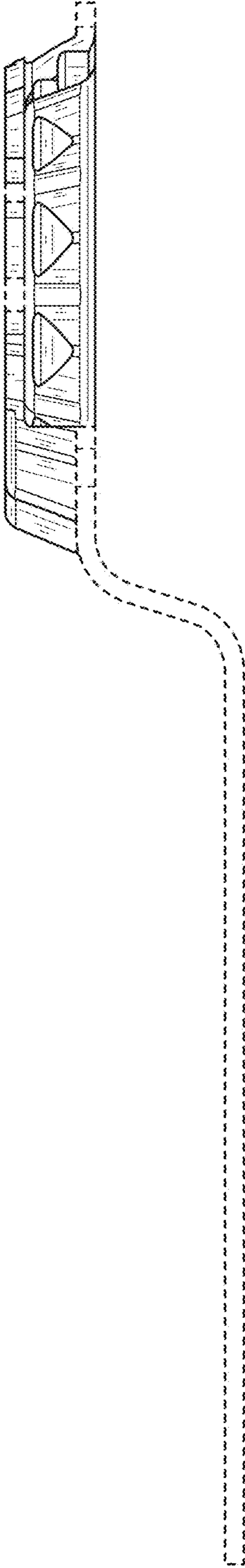


FIG. 3

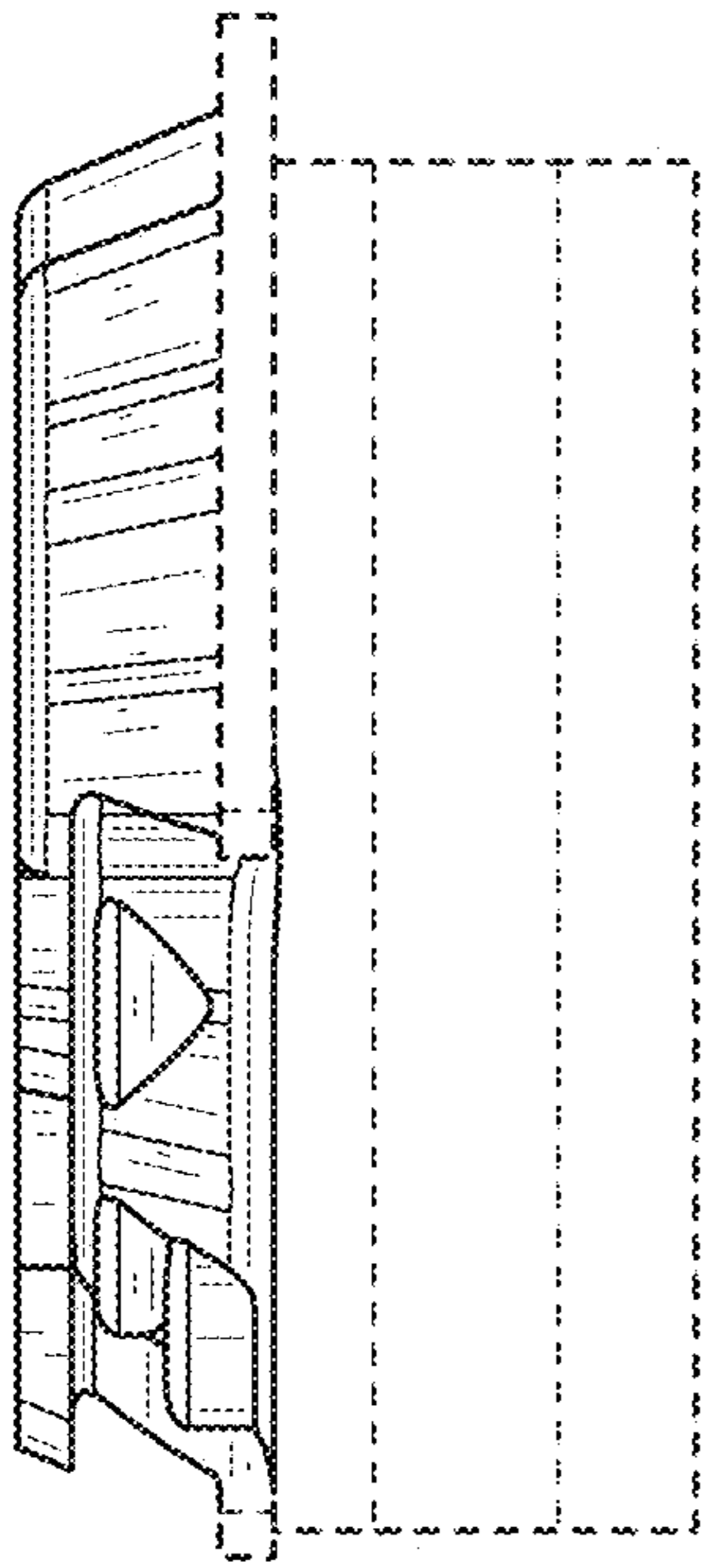


FIG. 4

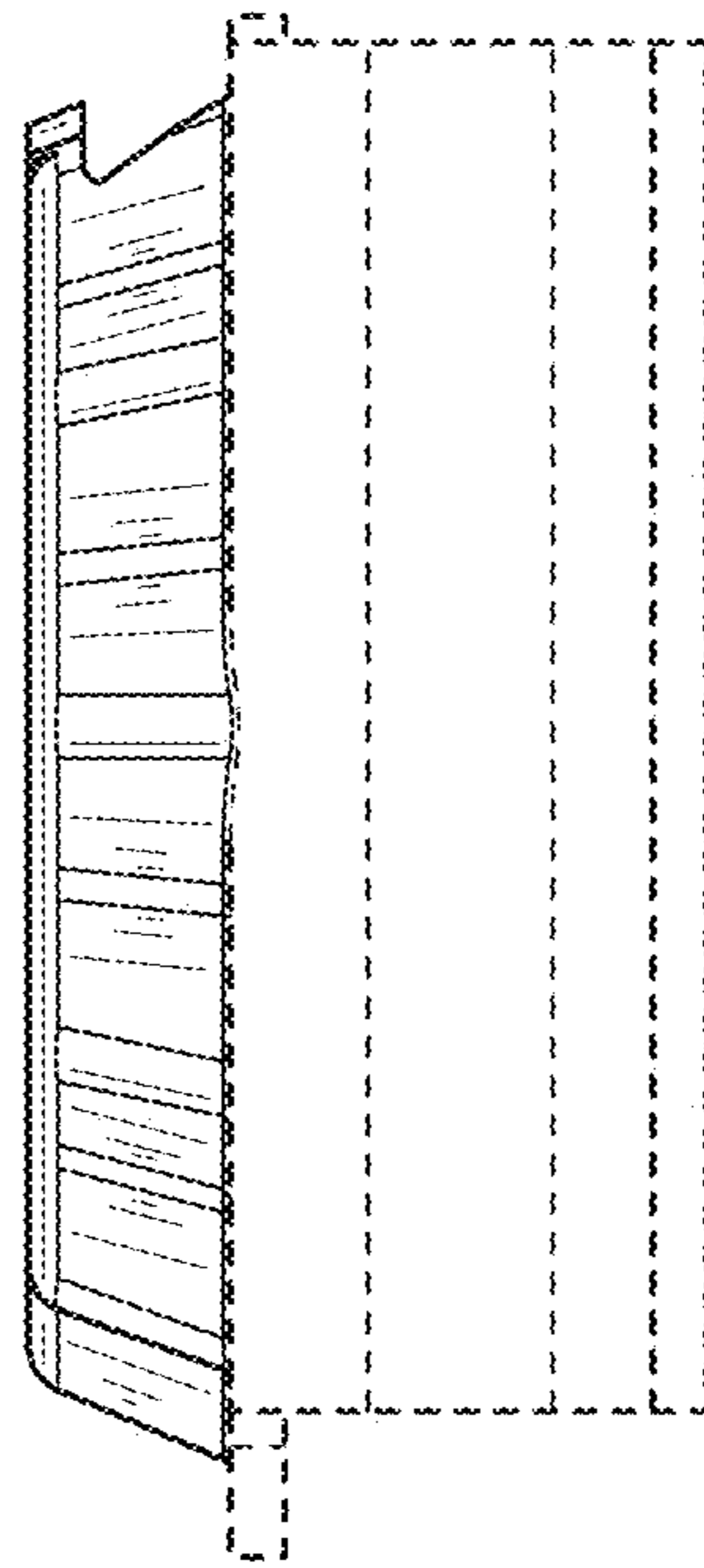


FIG. 5



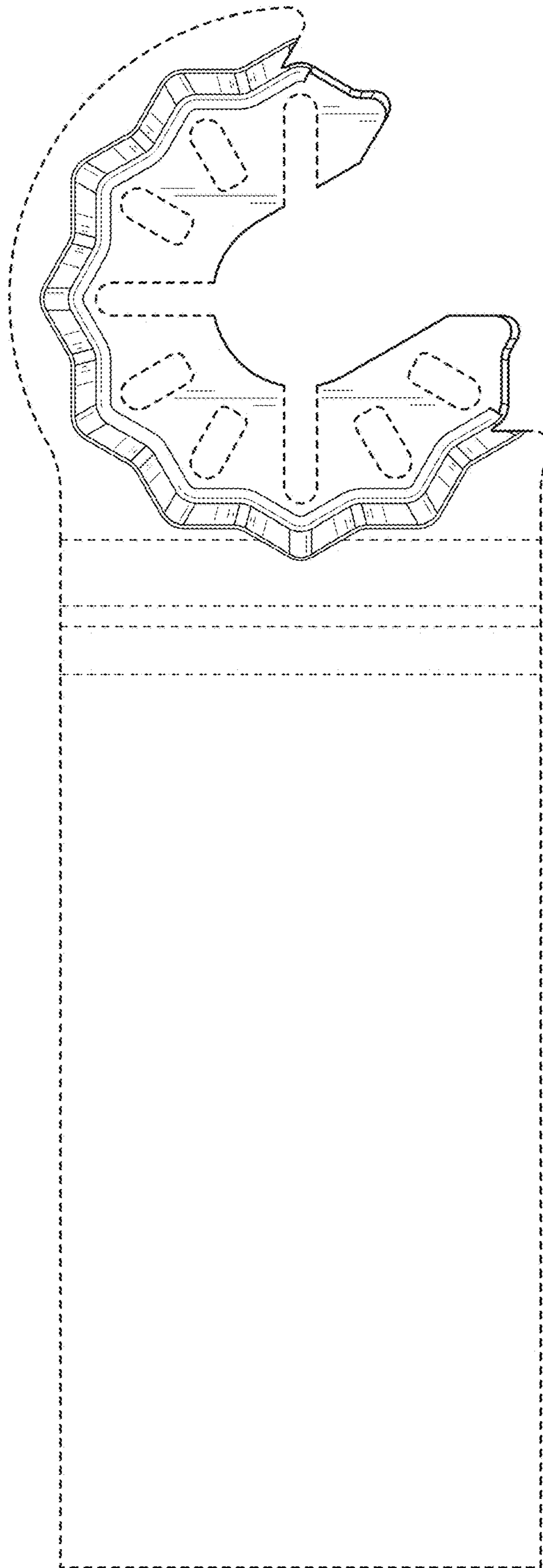


FIG. 6

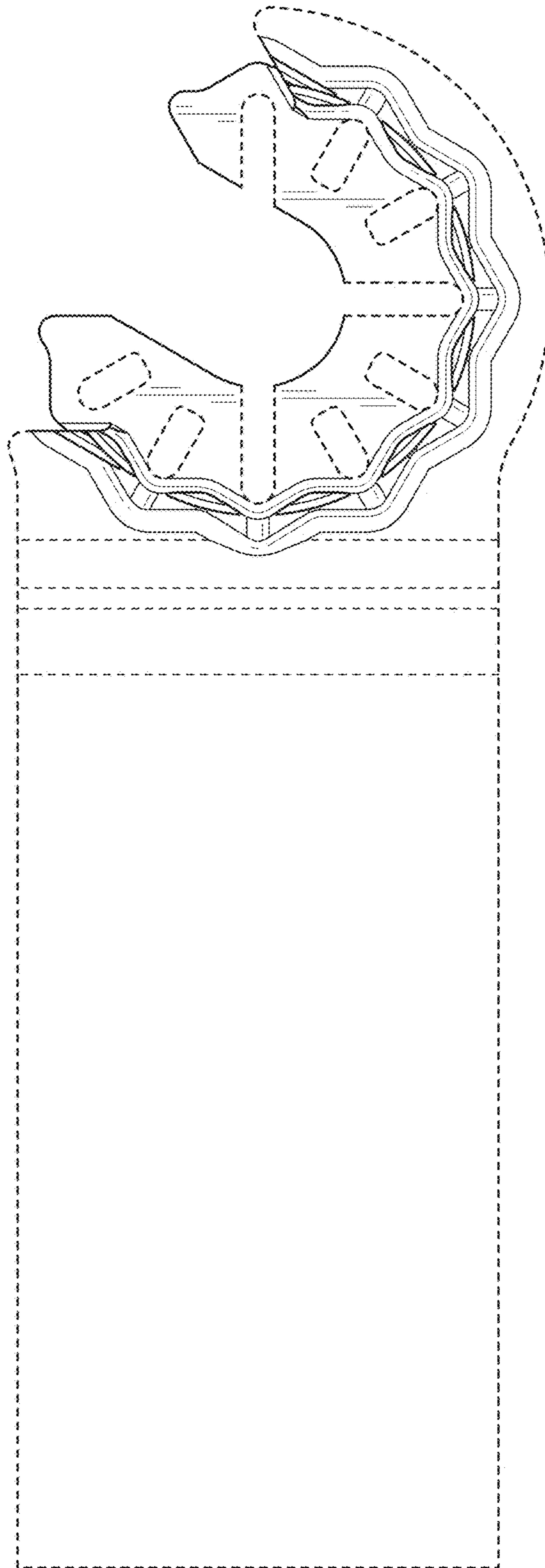


FIG. 7

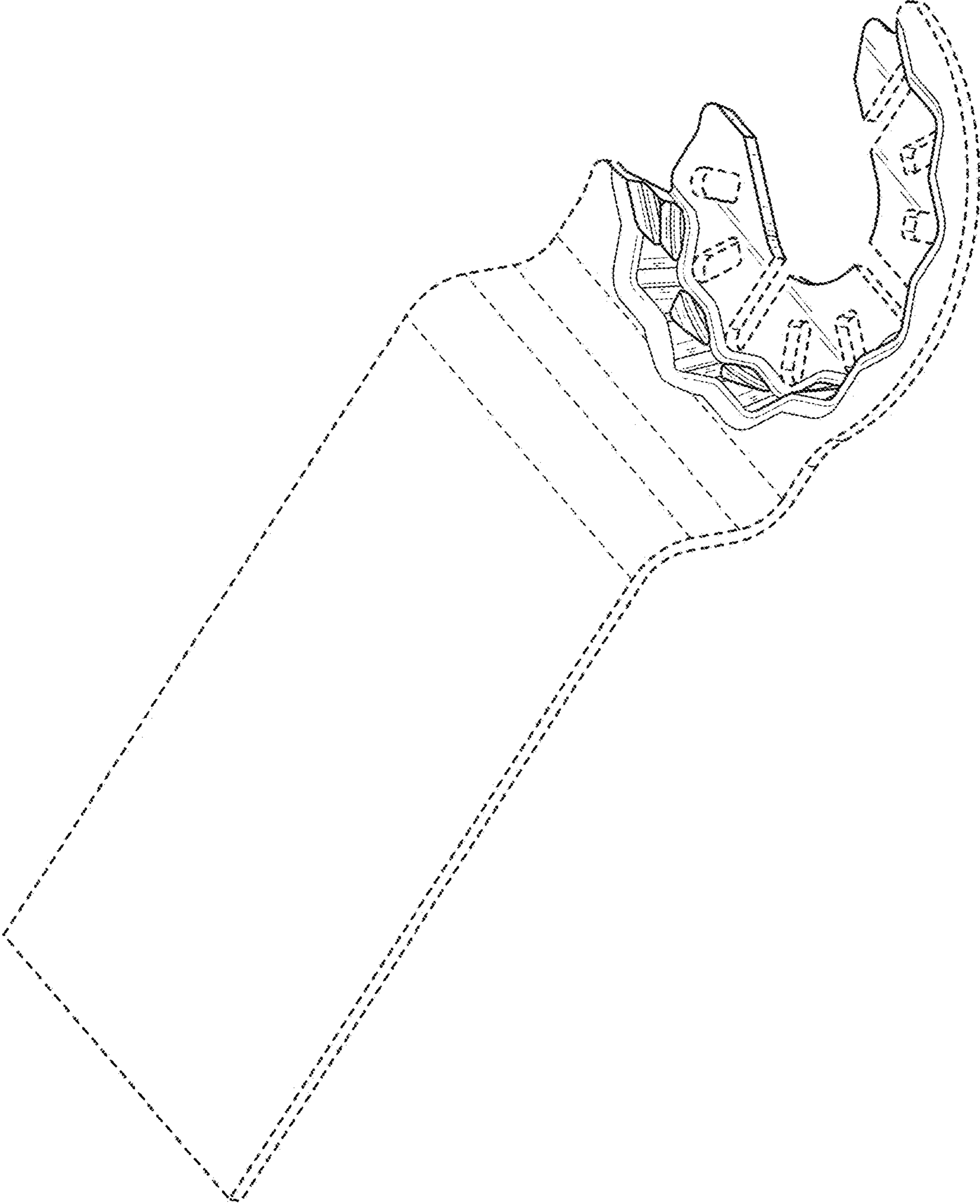


FIG. 8

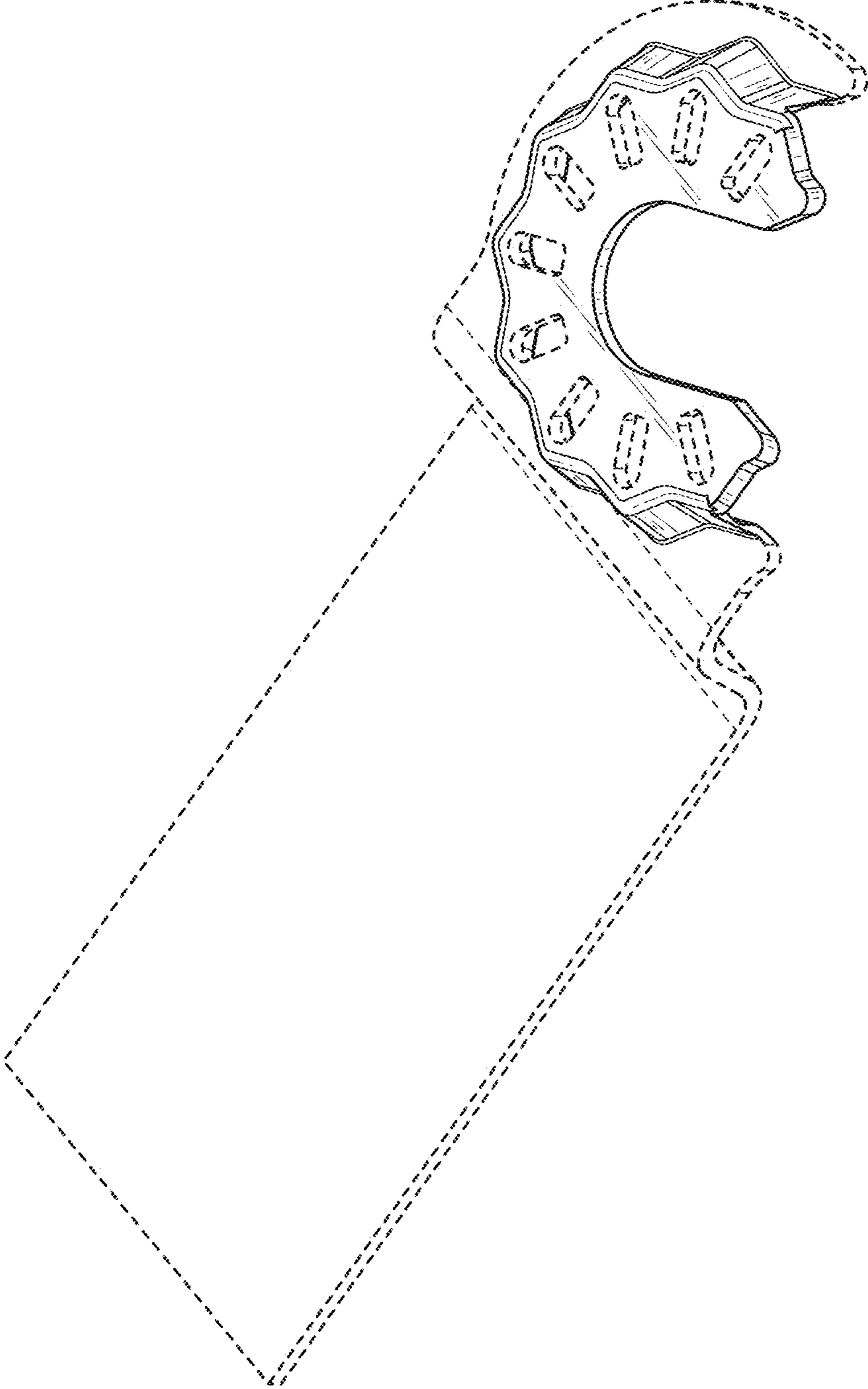


FIG. 9

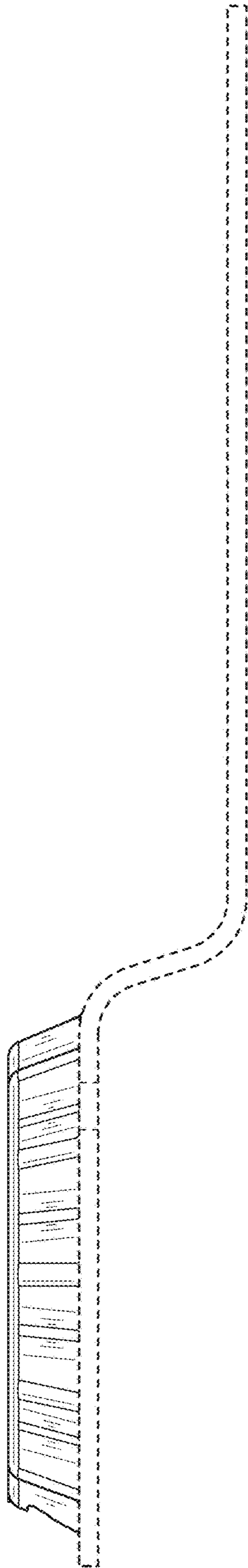


FIG. 10

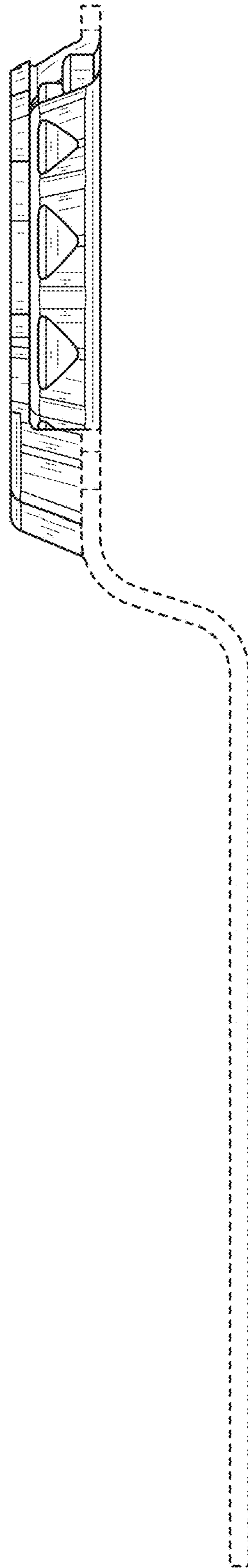


FIG. 11

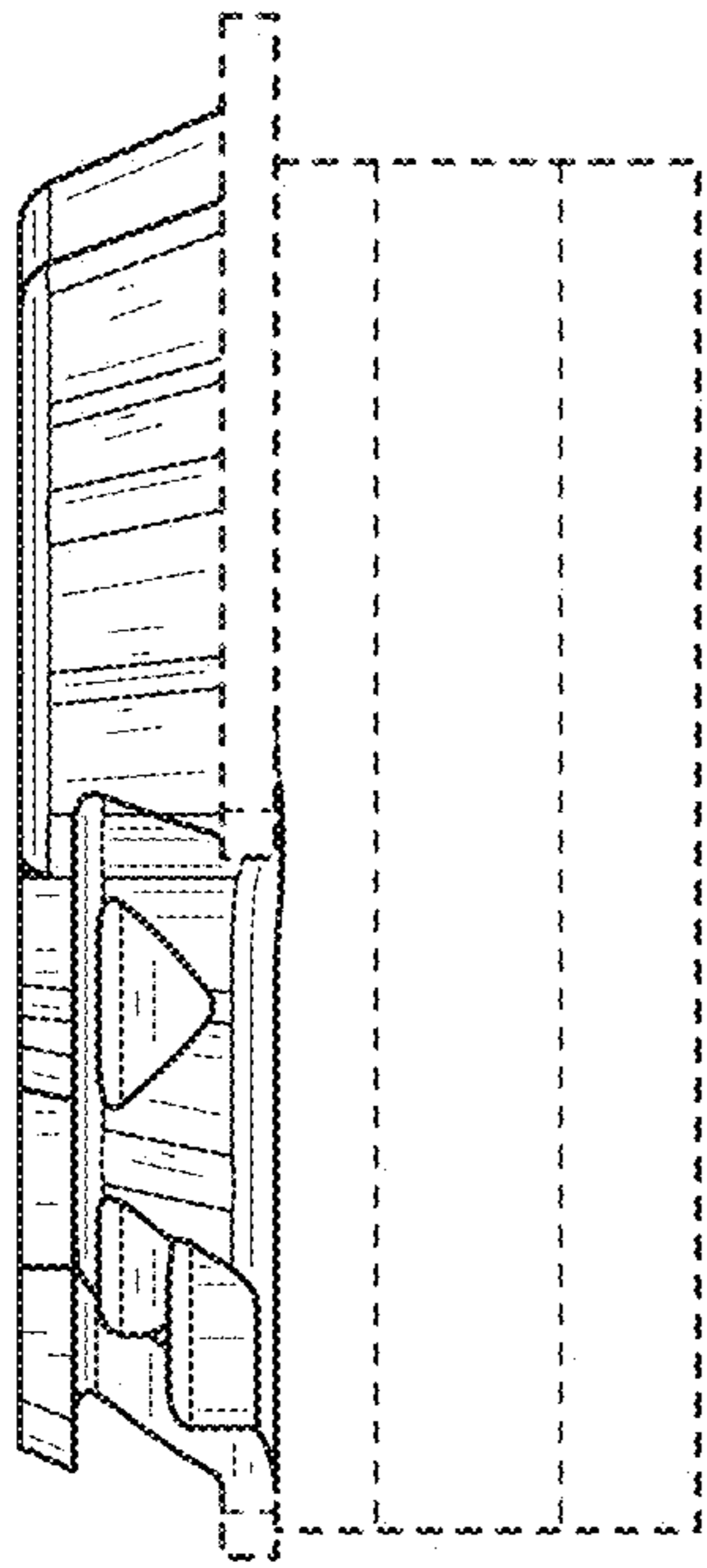


FIG. 12

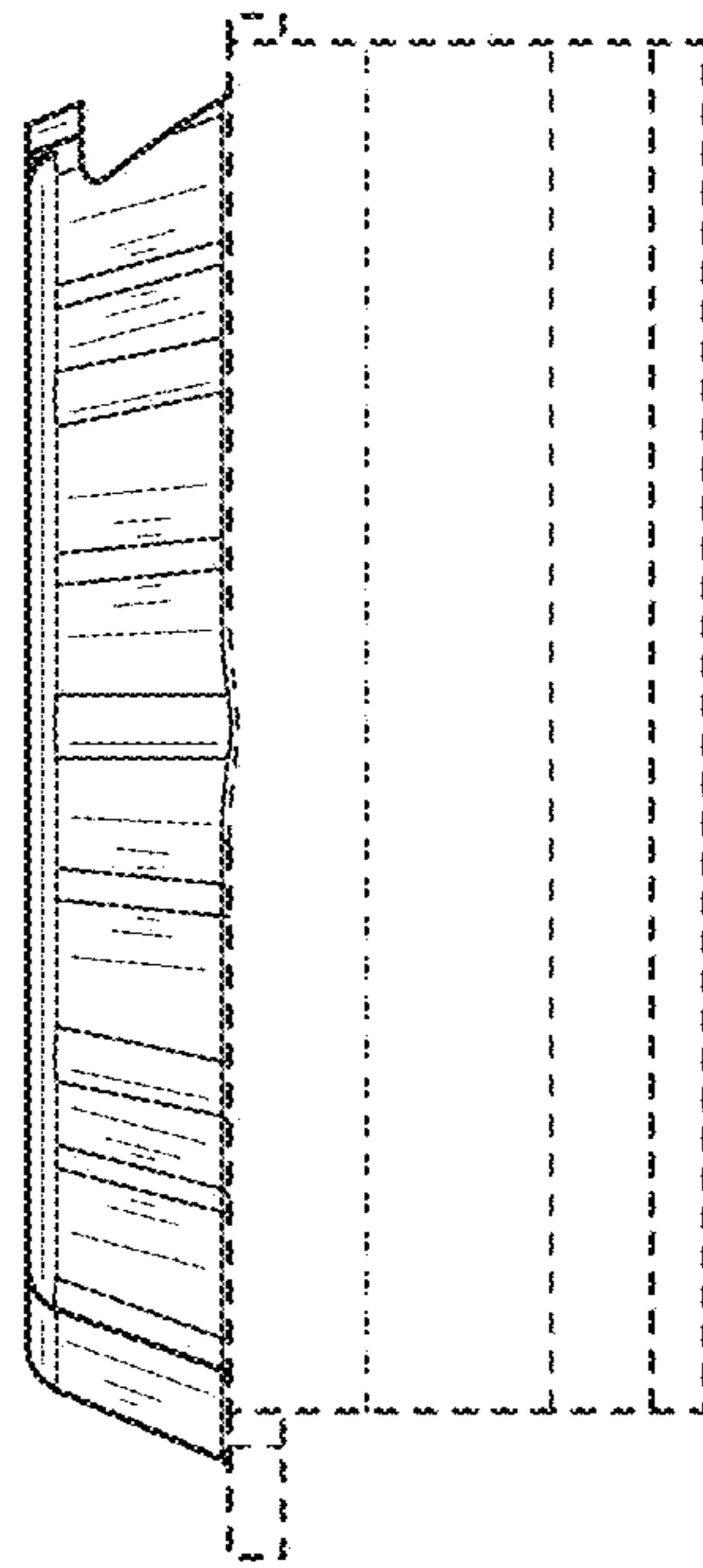


FIG. 13

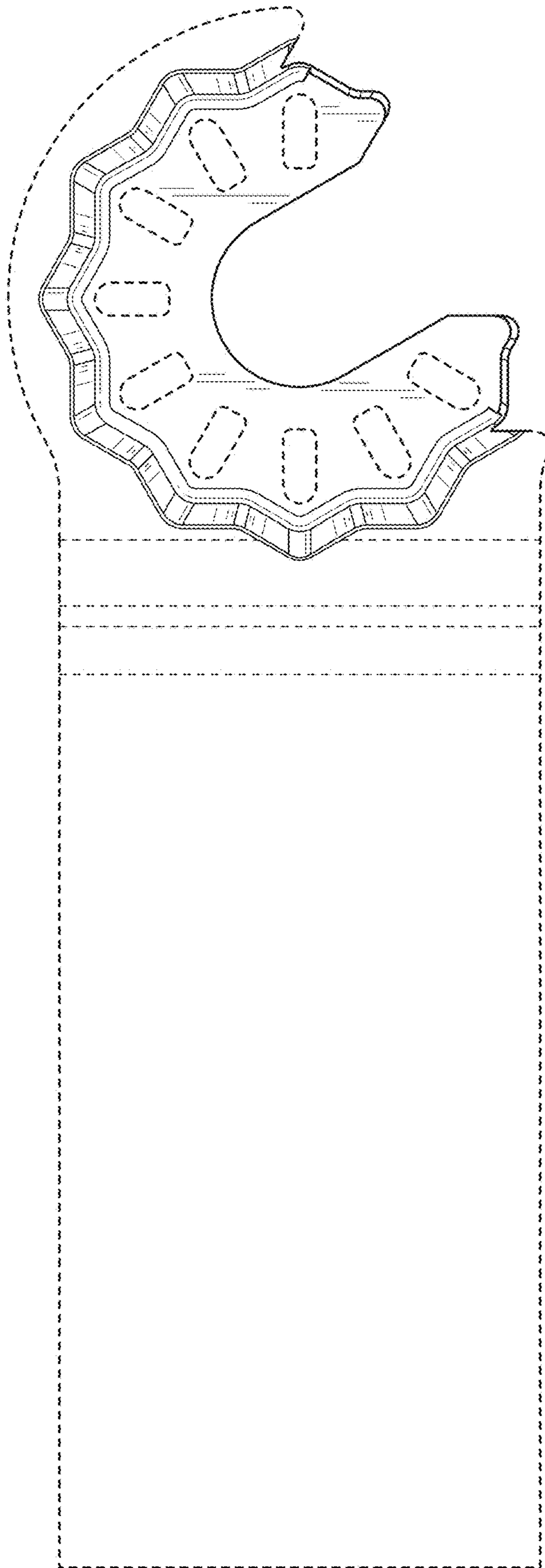


FIG. 14

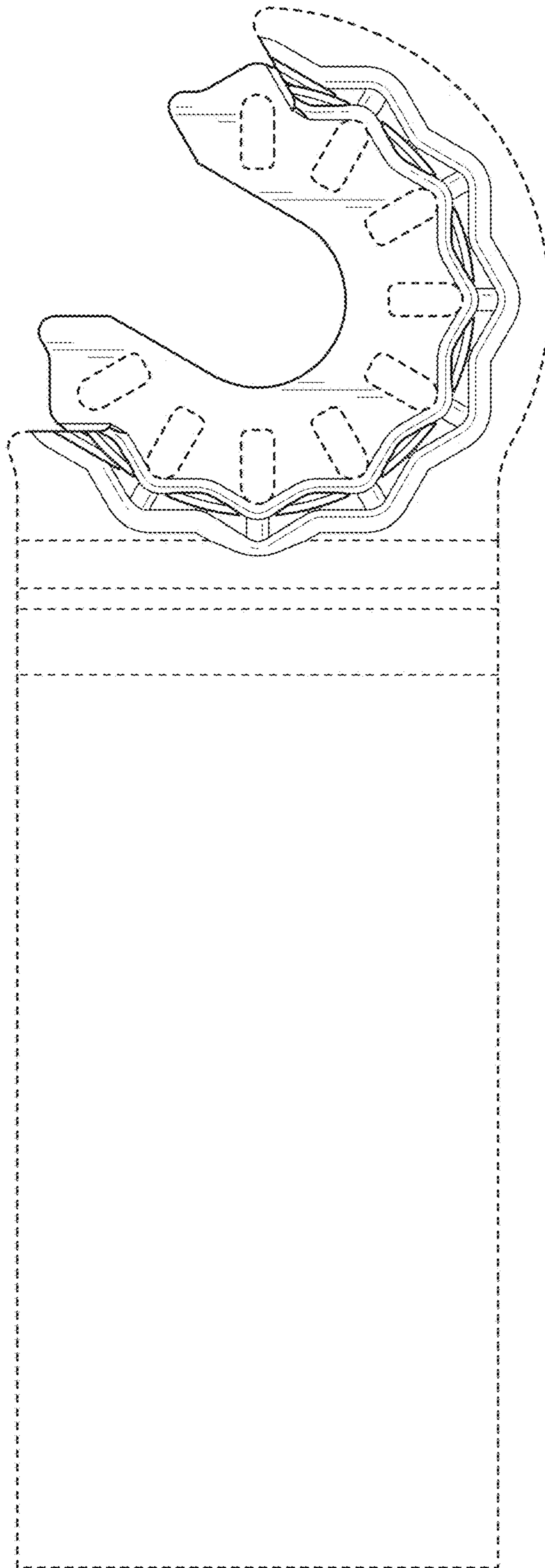


FIG. 15



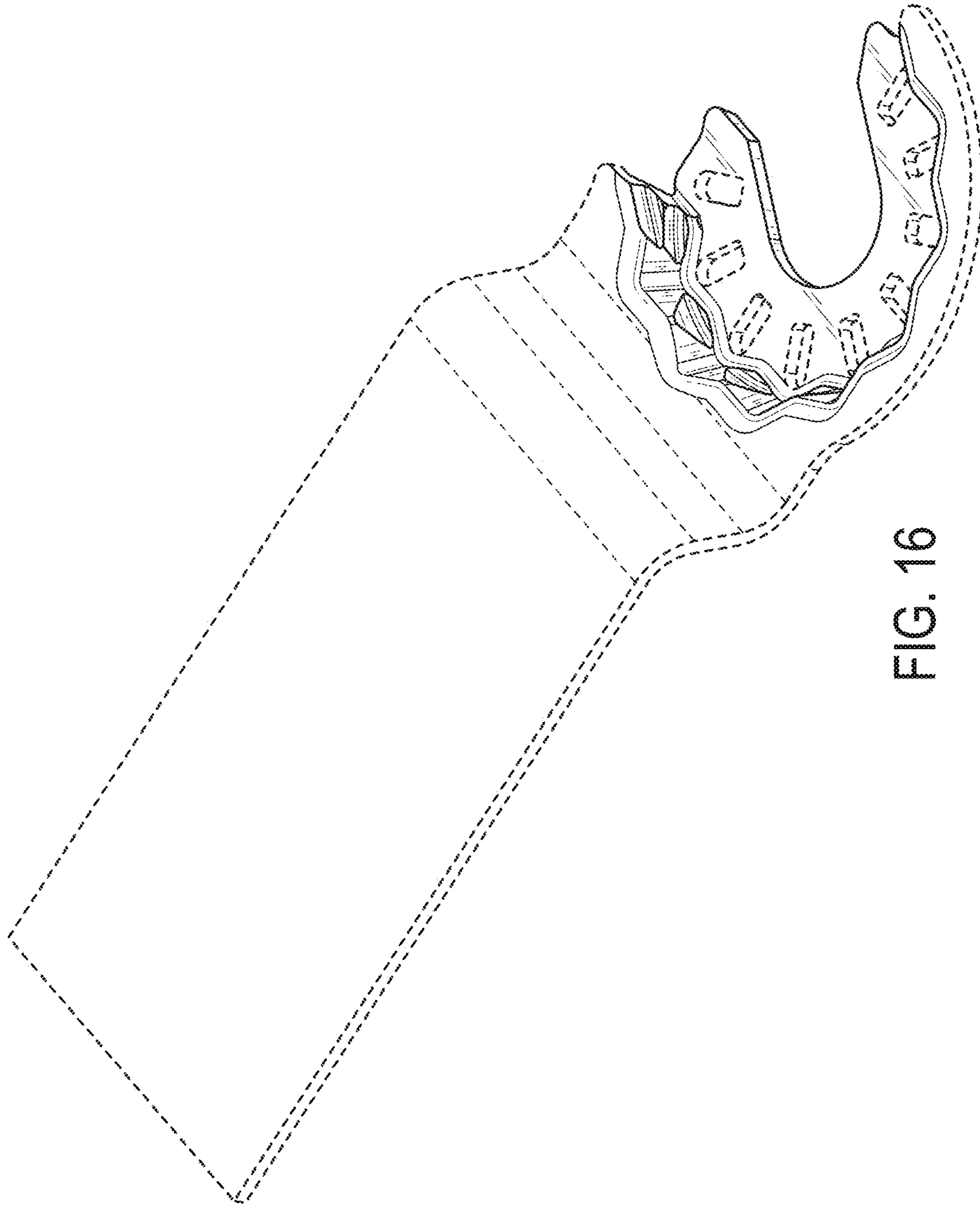


FIG. 16

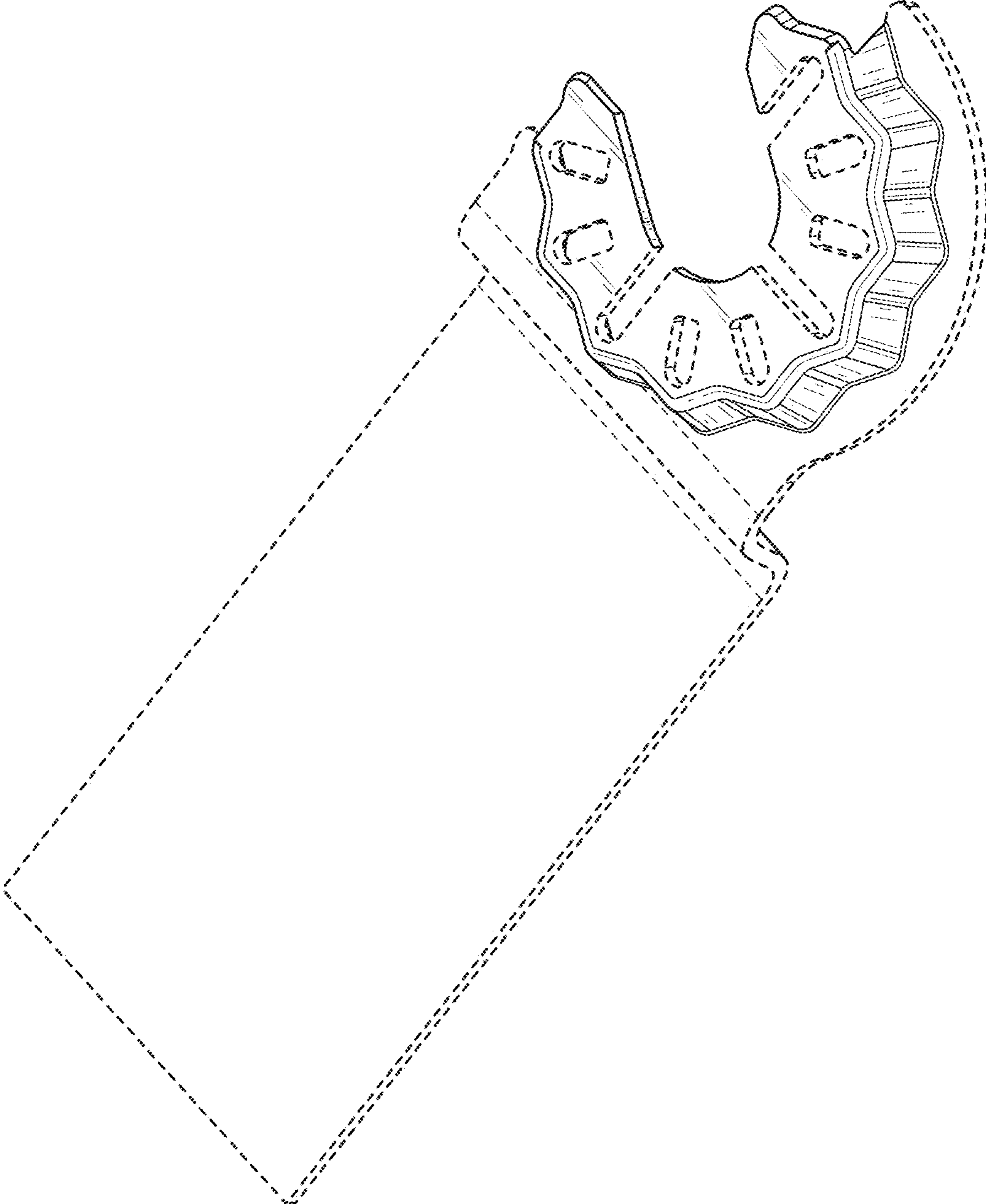


FIG. 17

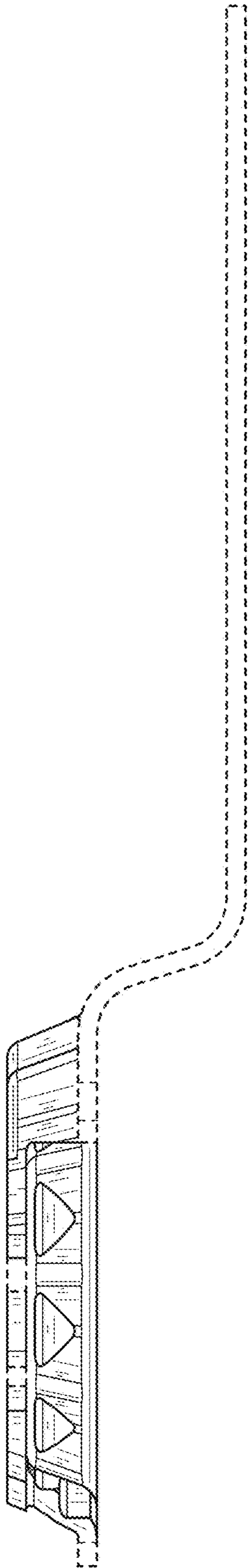


FIG. 18

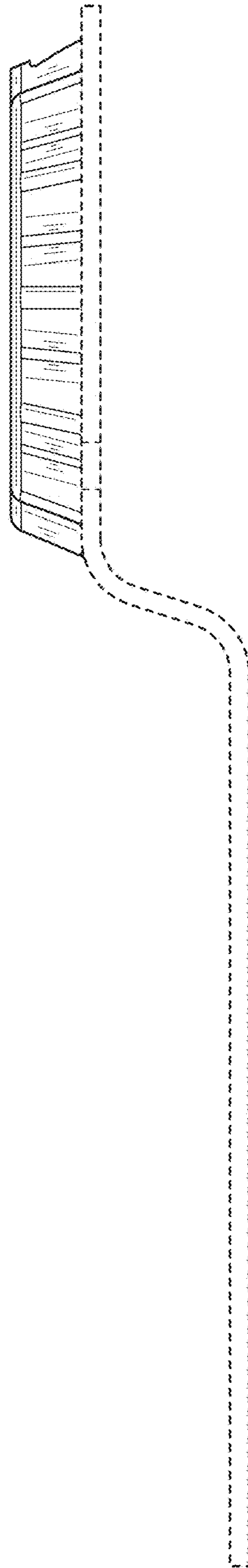


FIG. 19

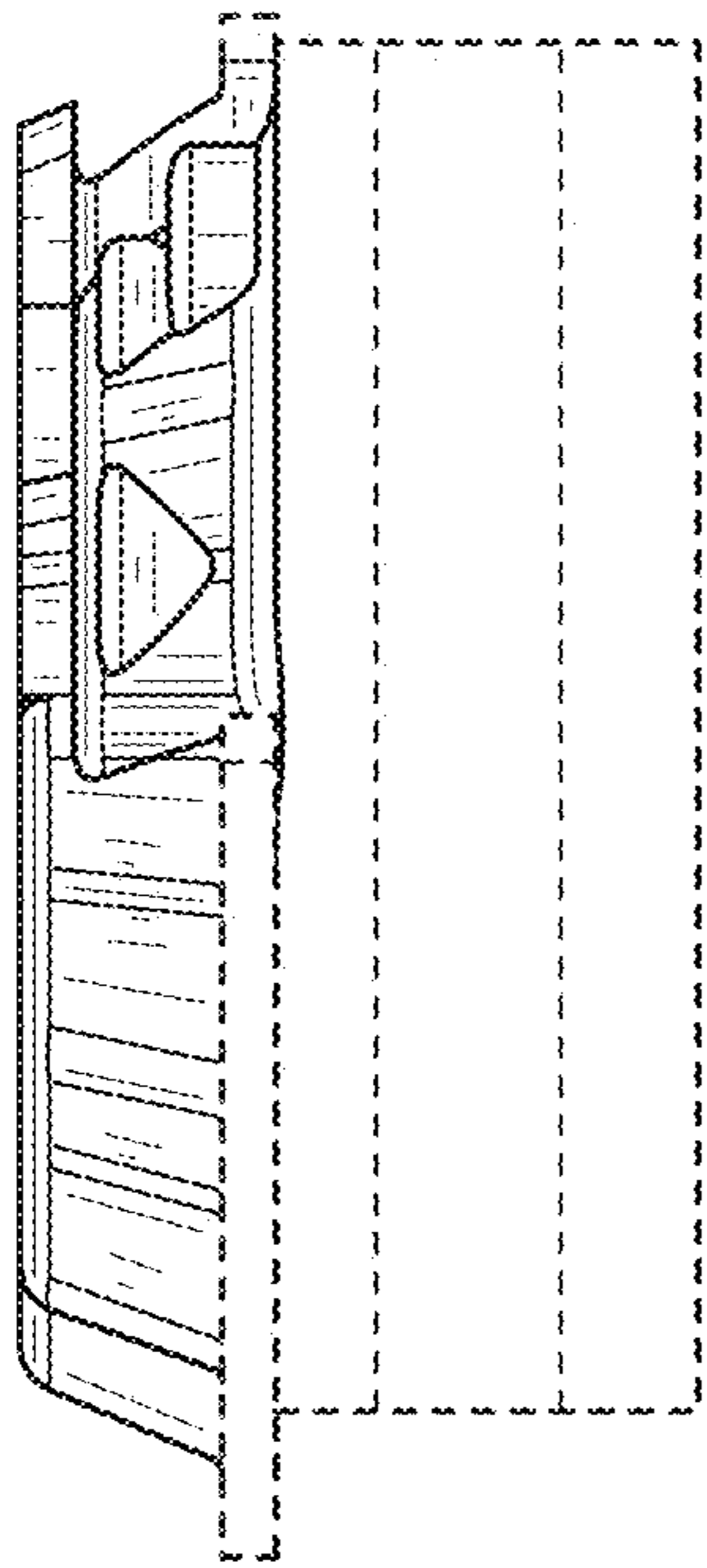


FIG. 20

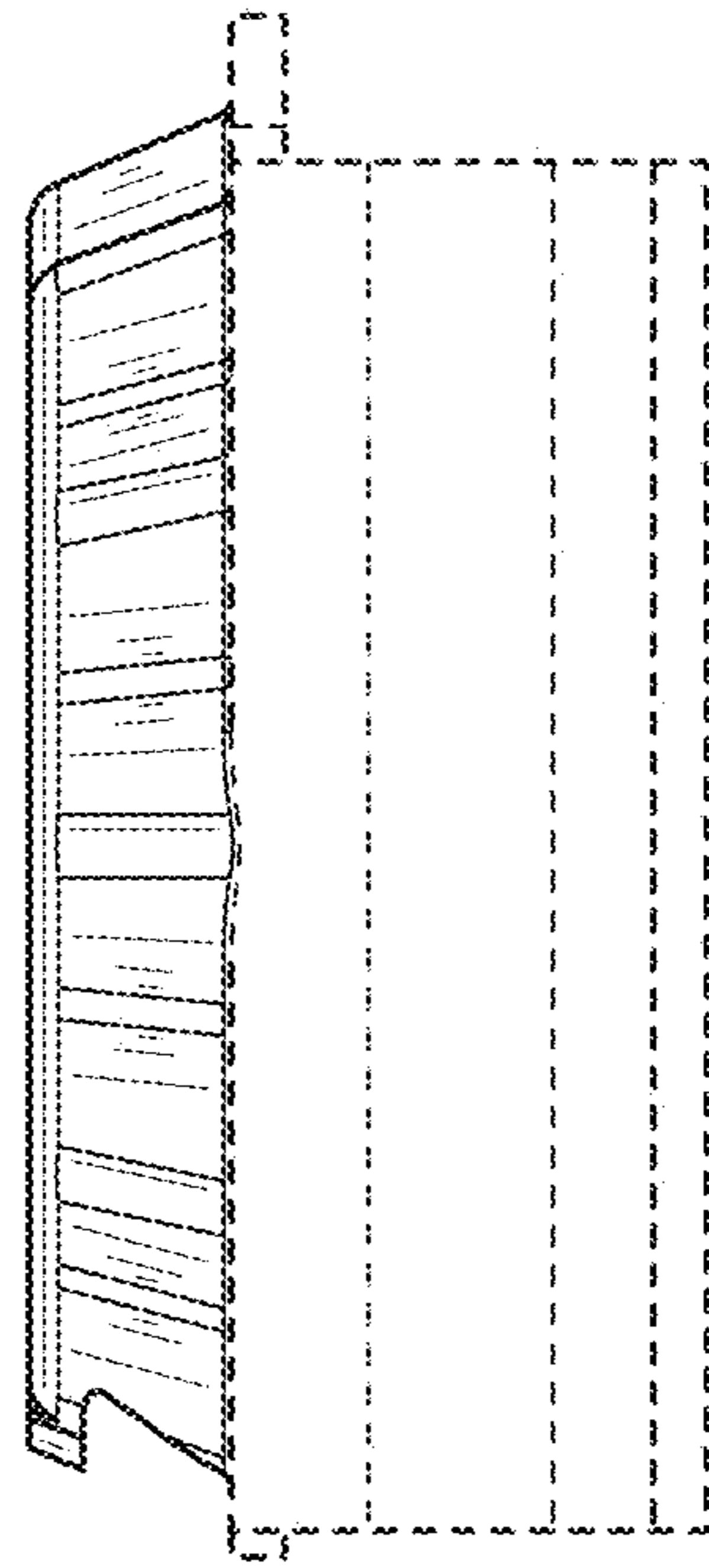


FIG. 21

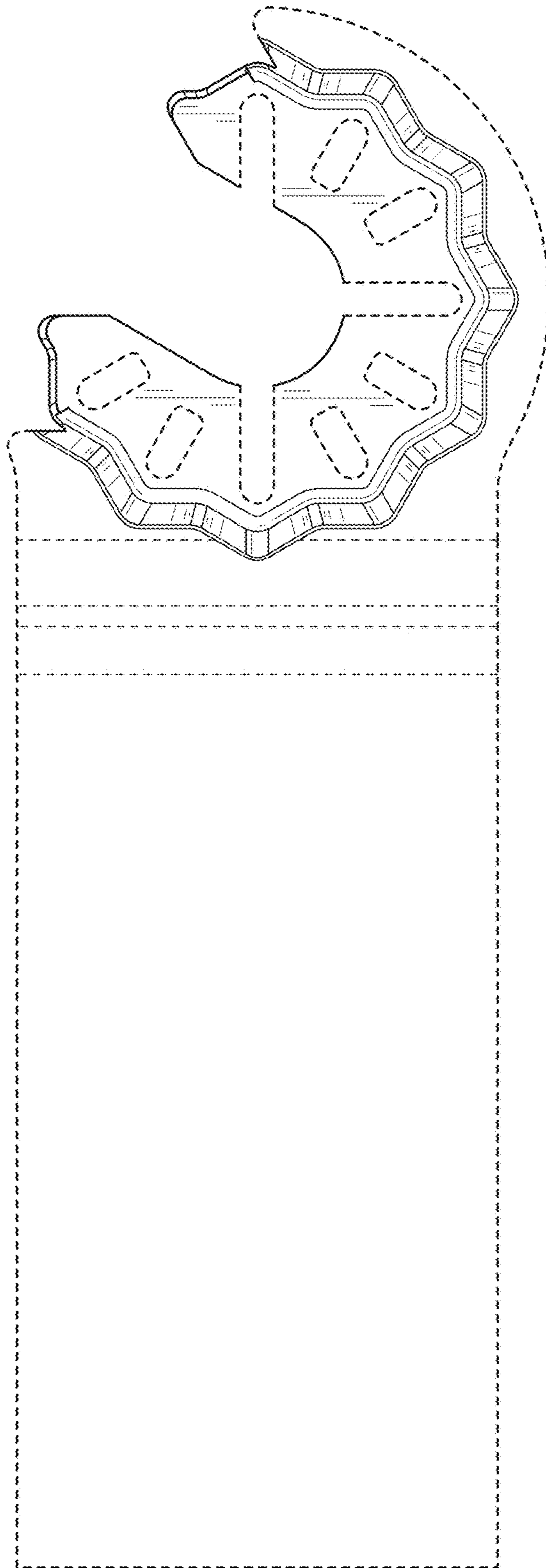


FIG. 22

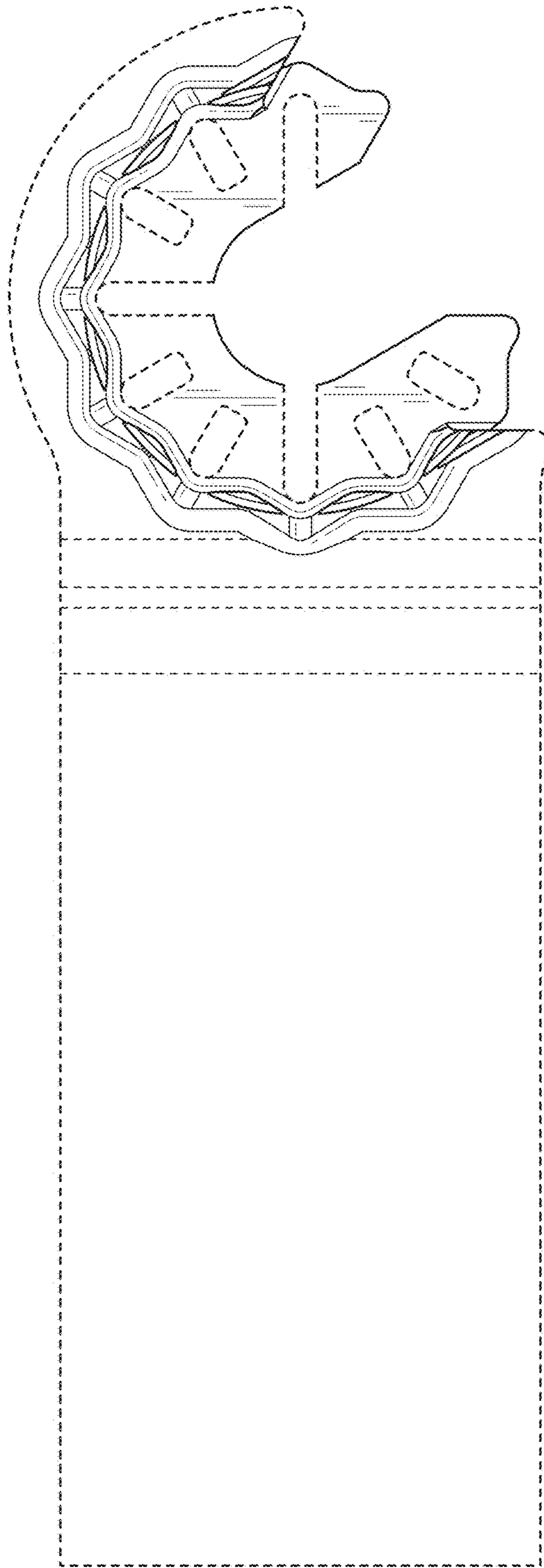


FIG. 23

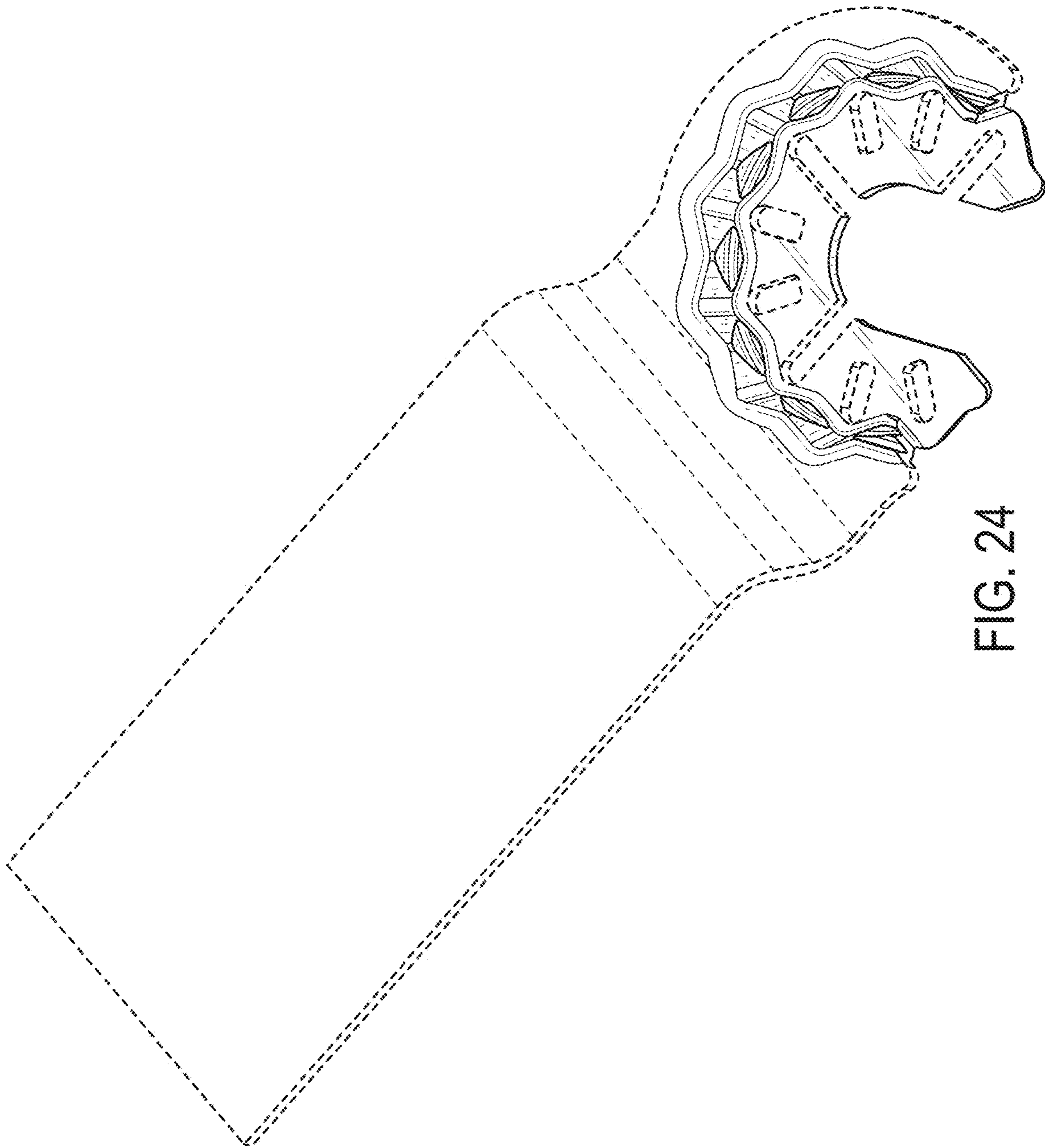


FIG. 24

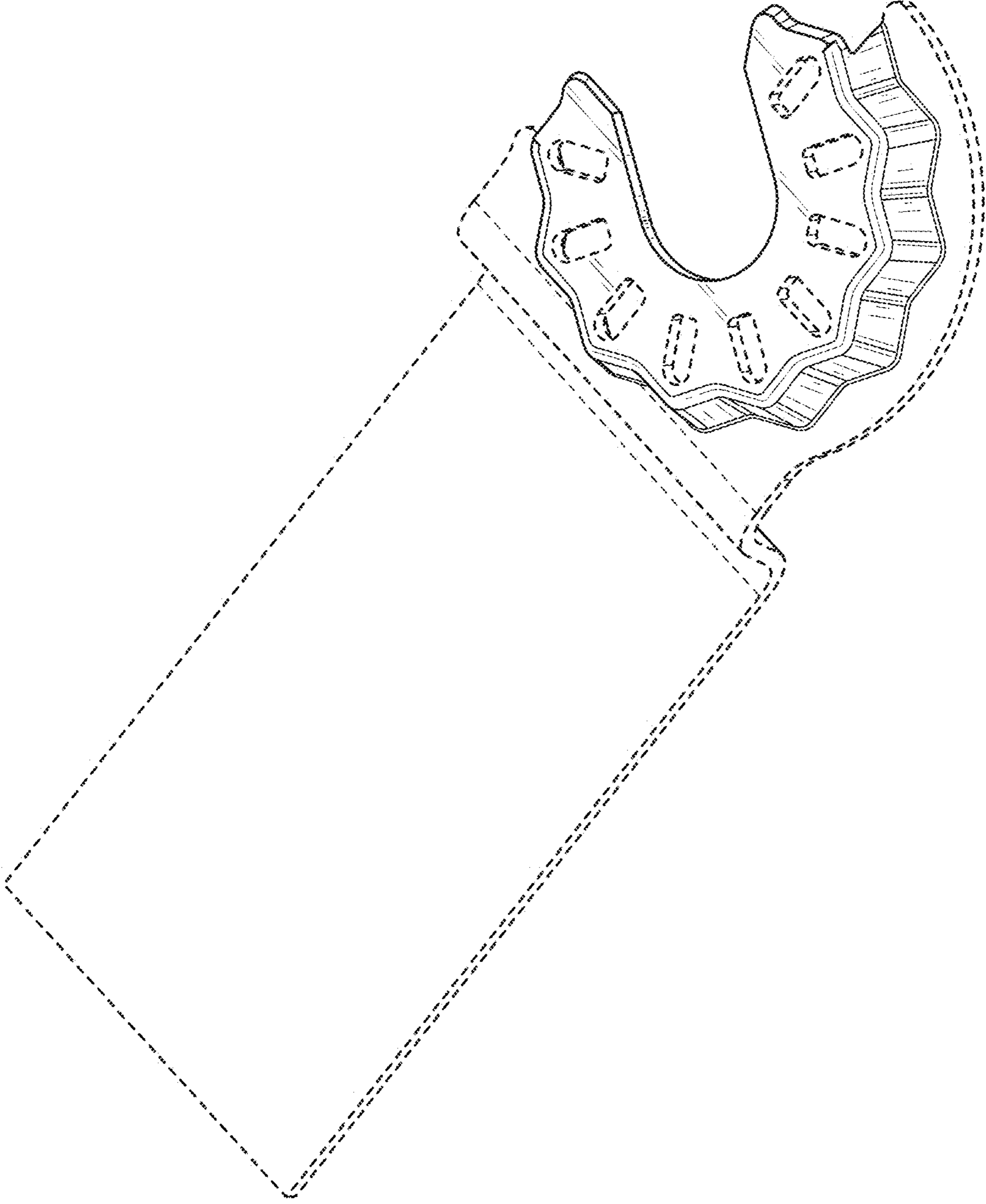


FIG. 25



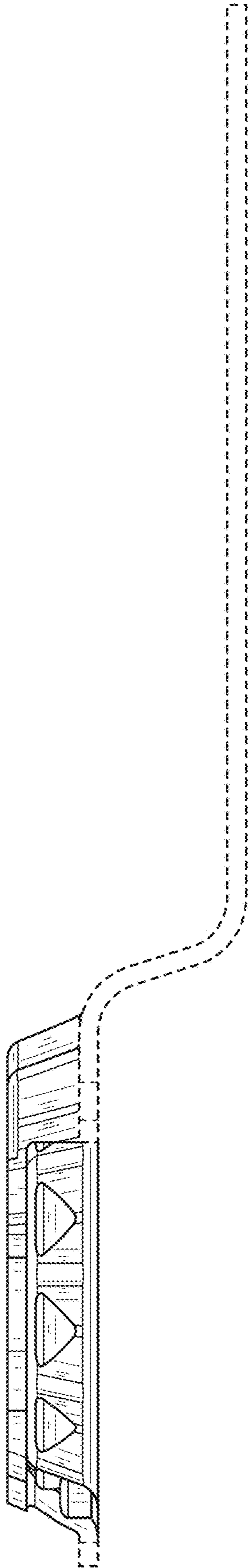


FIG. 26

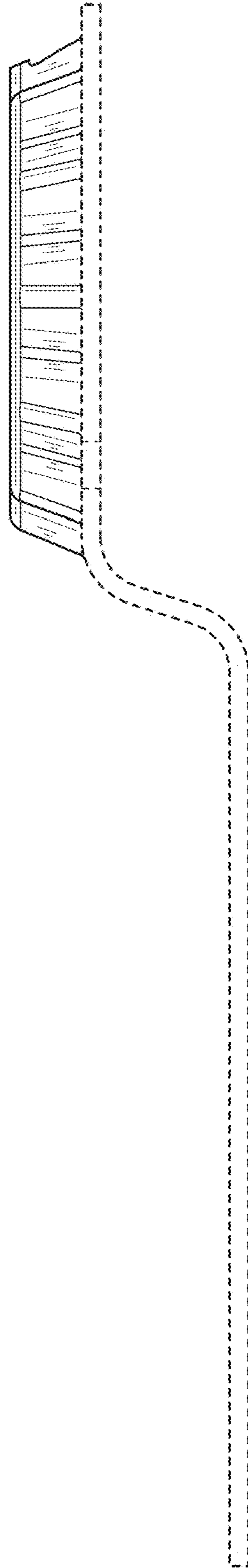


FIG. 27

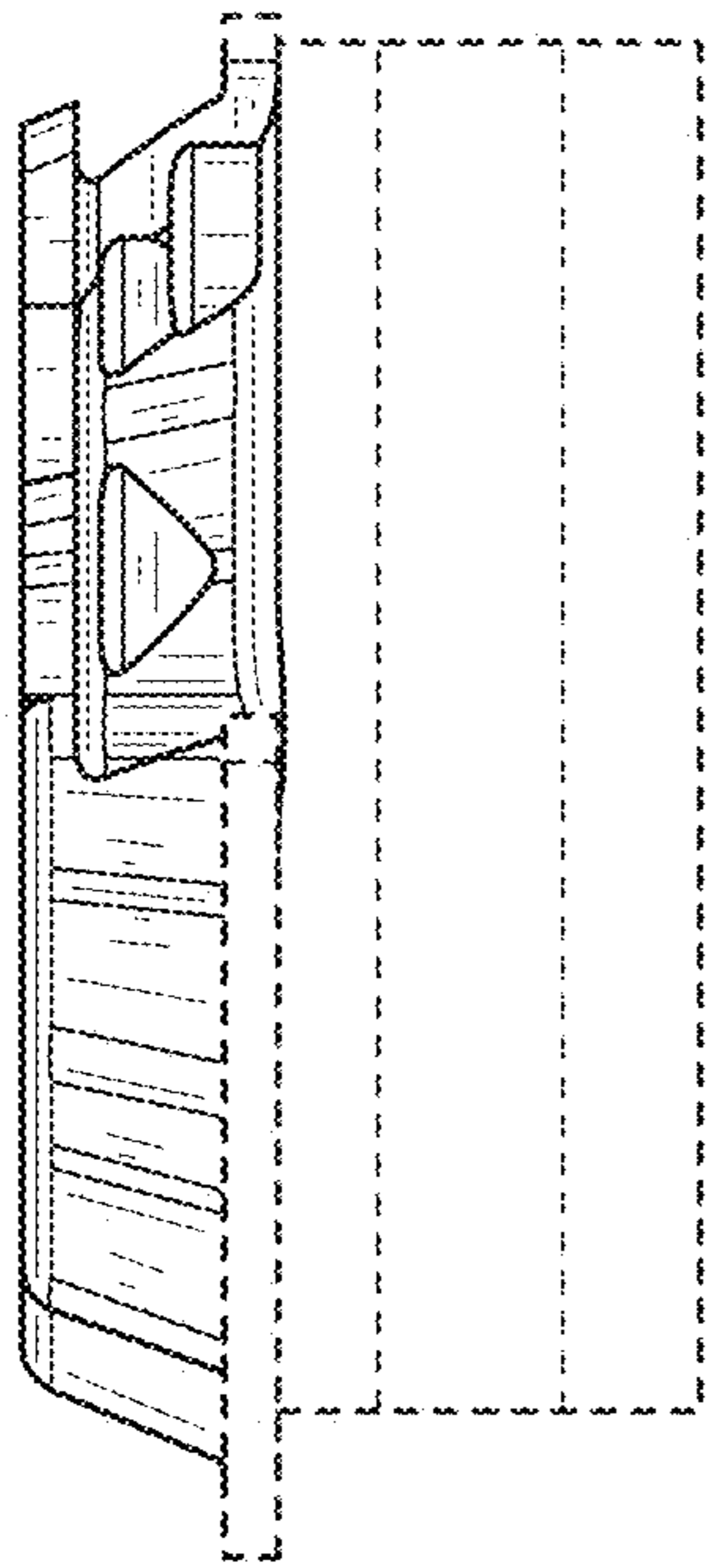


FIG. 28

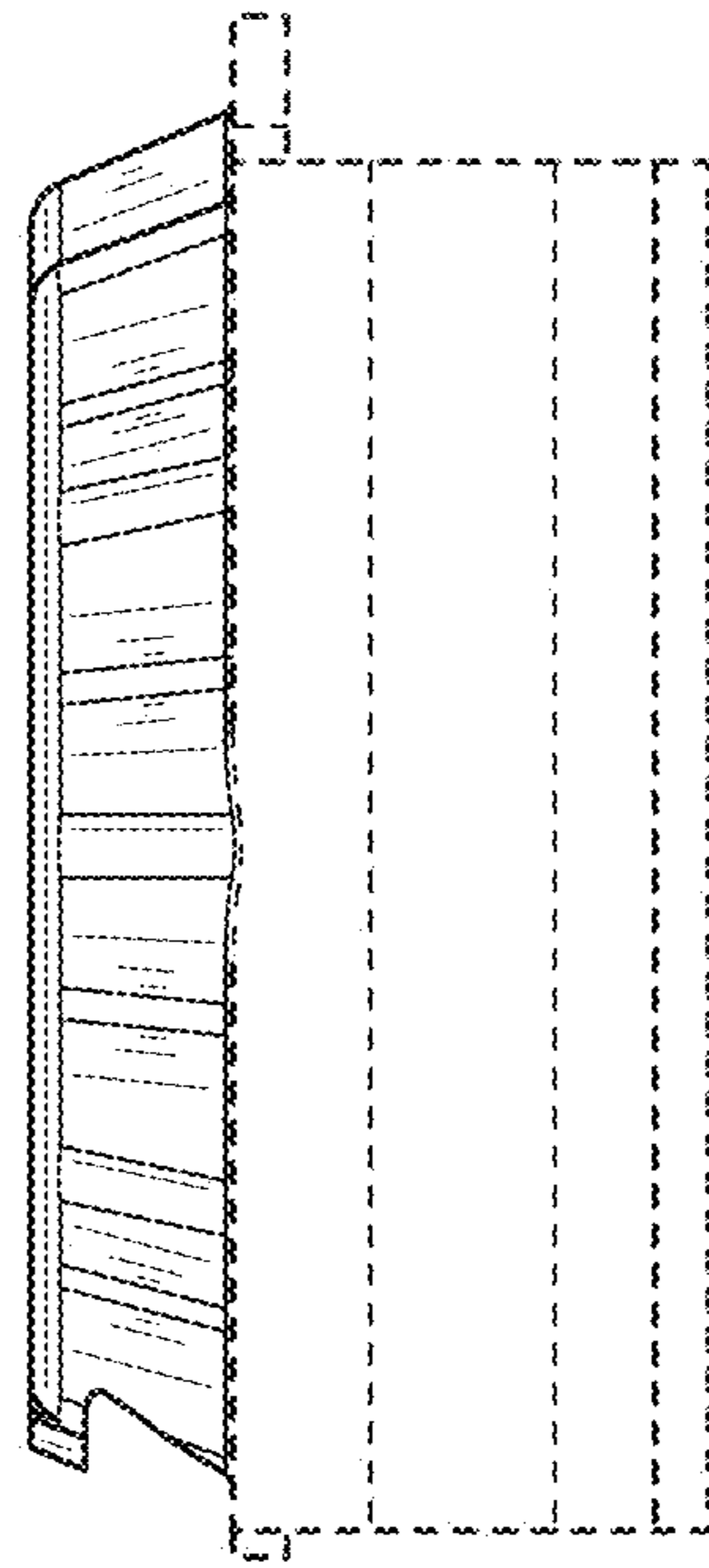


FIG. 29

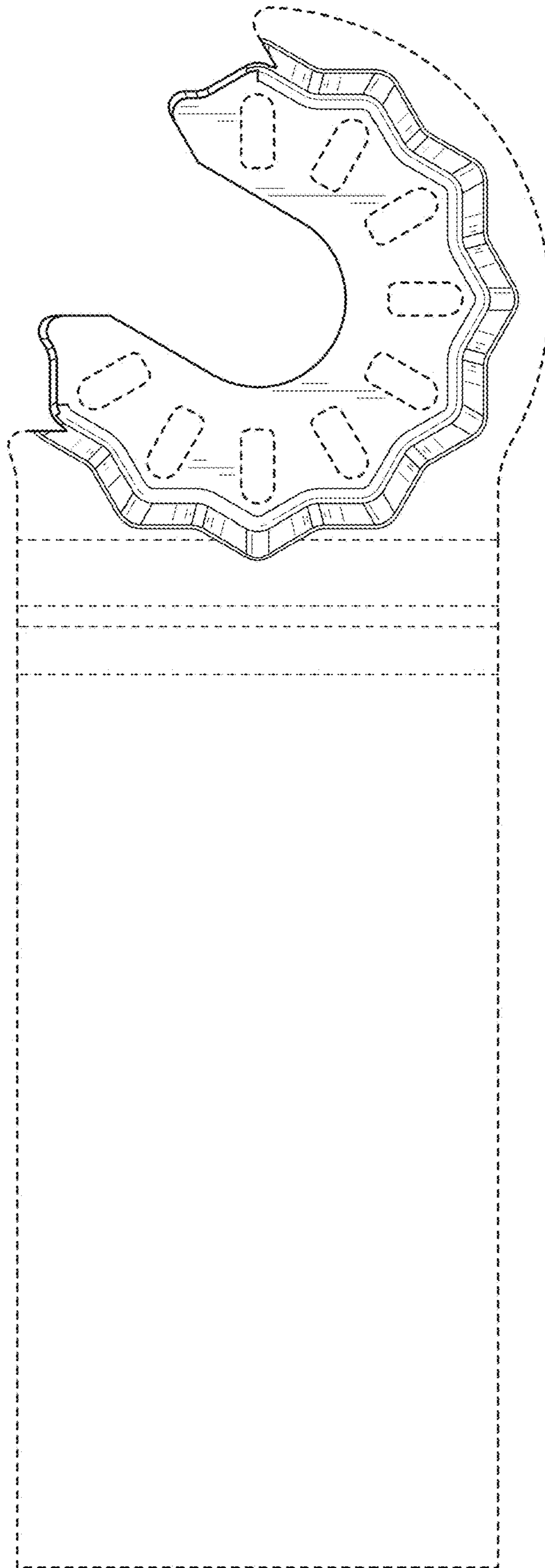


FIG. 30

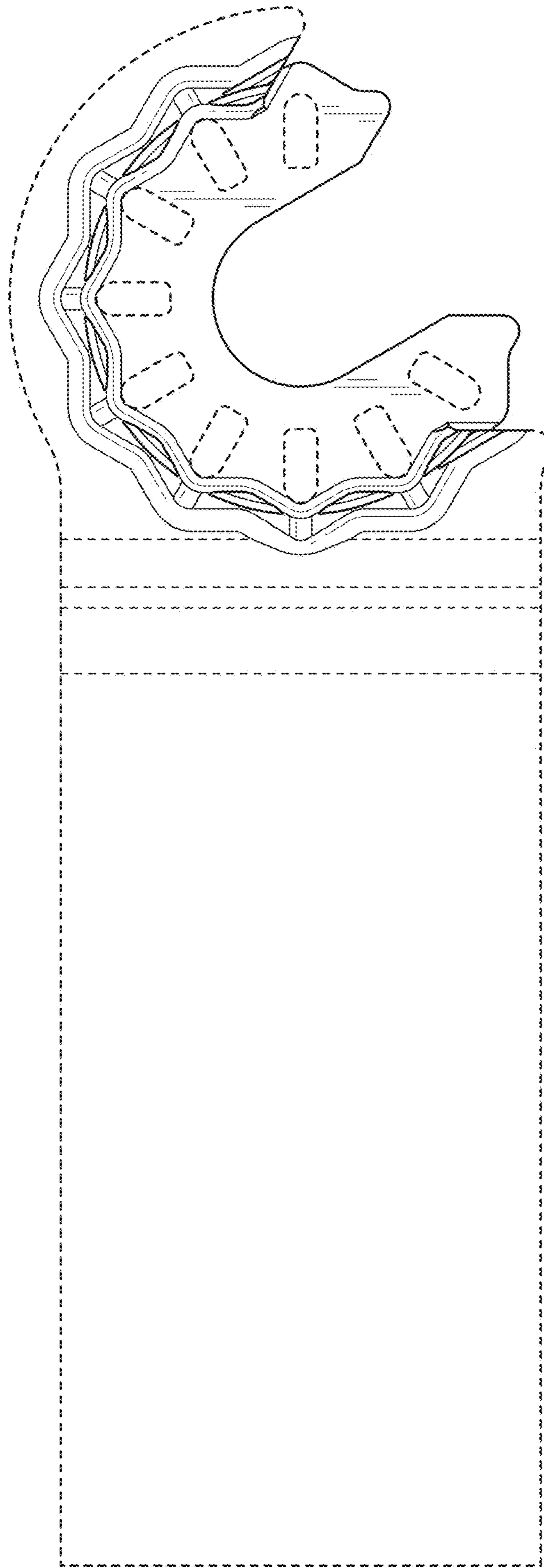


FIG. 31

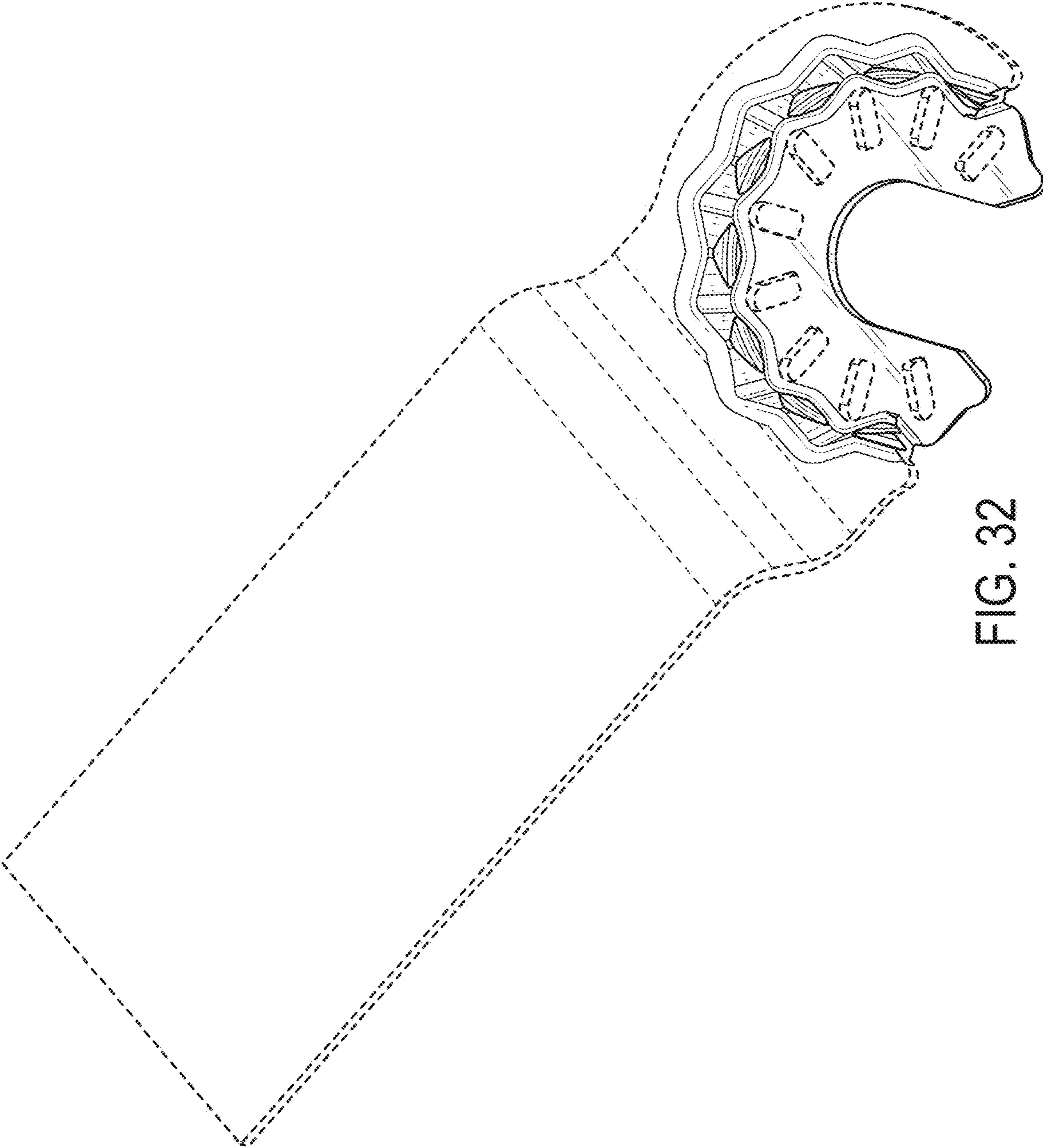


FIG. 32

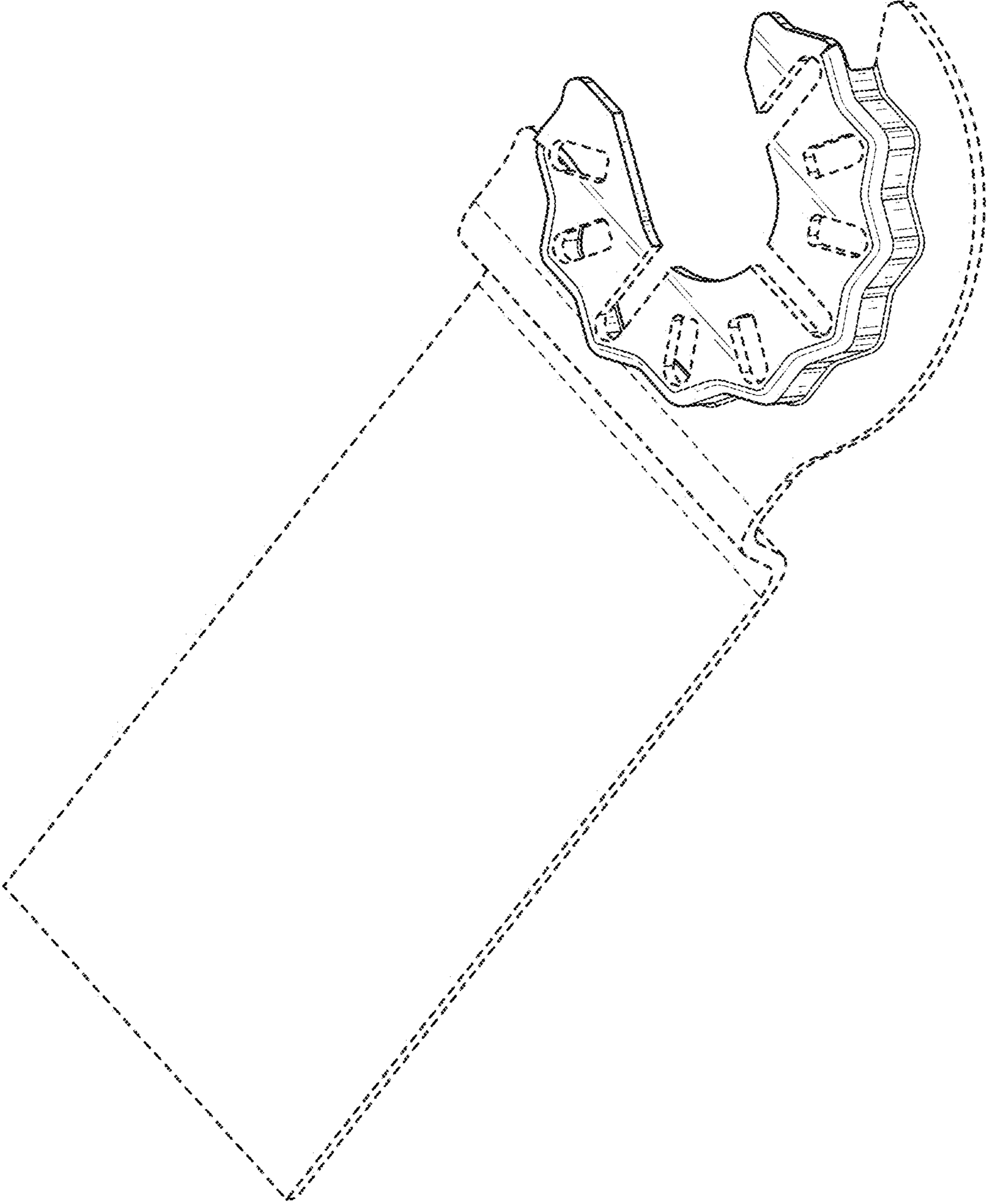


FIG. 33

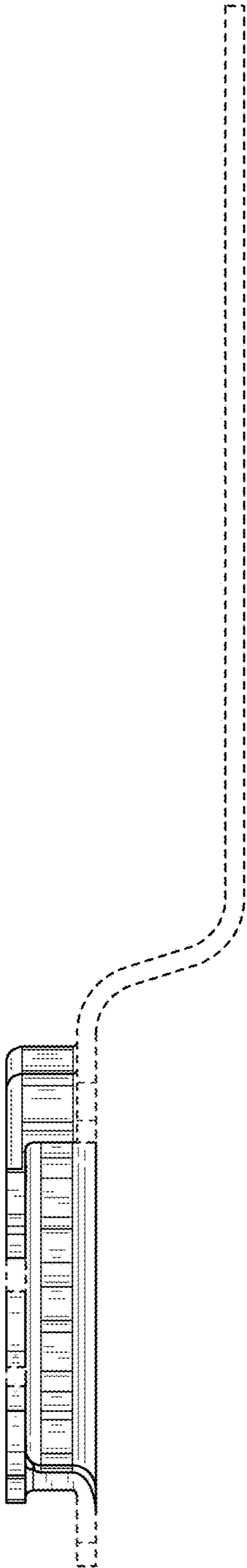


FIG. 34



FIG. 35

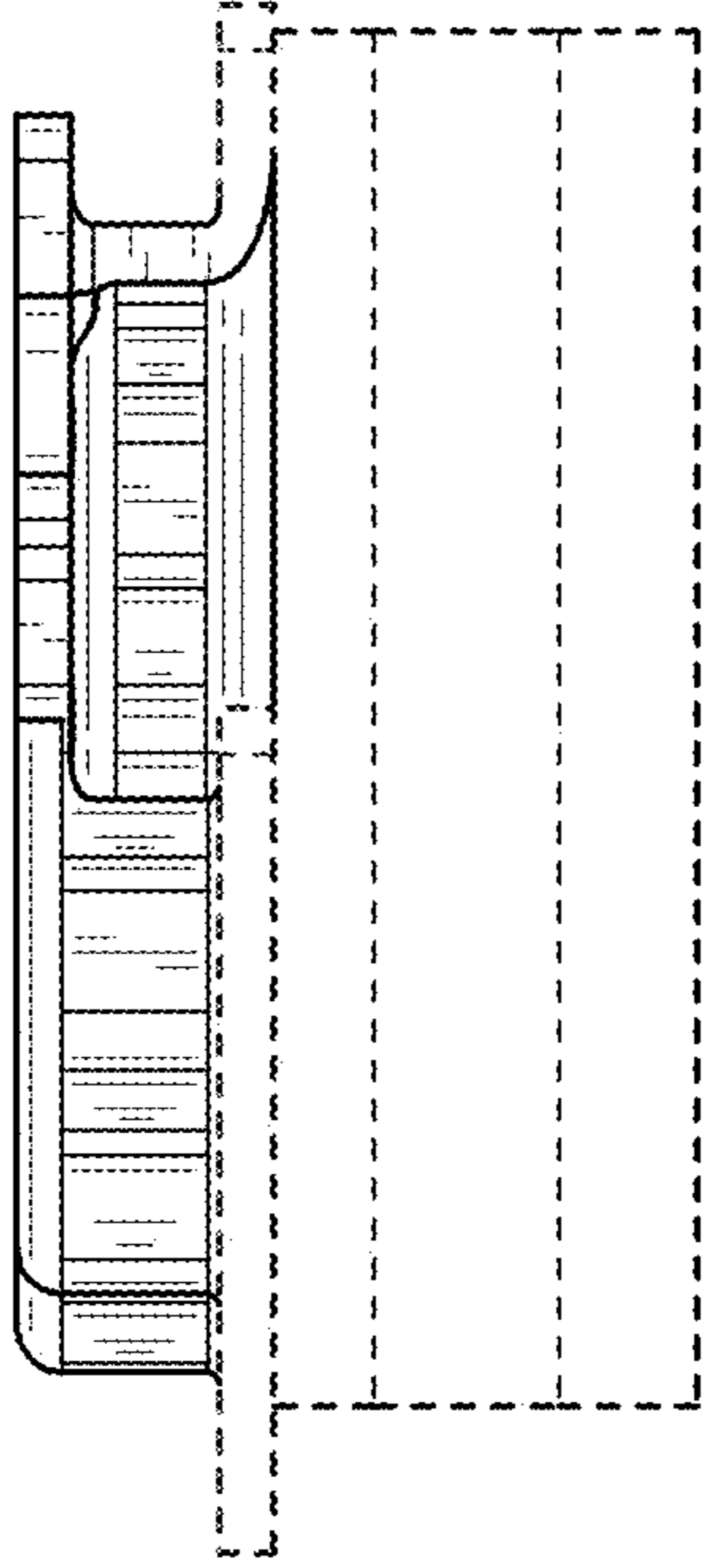


FIG. 36

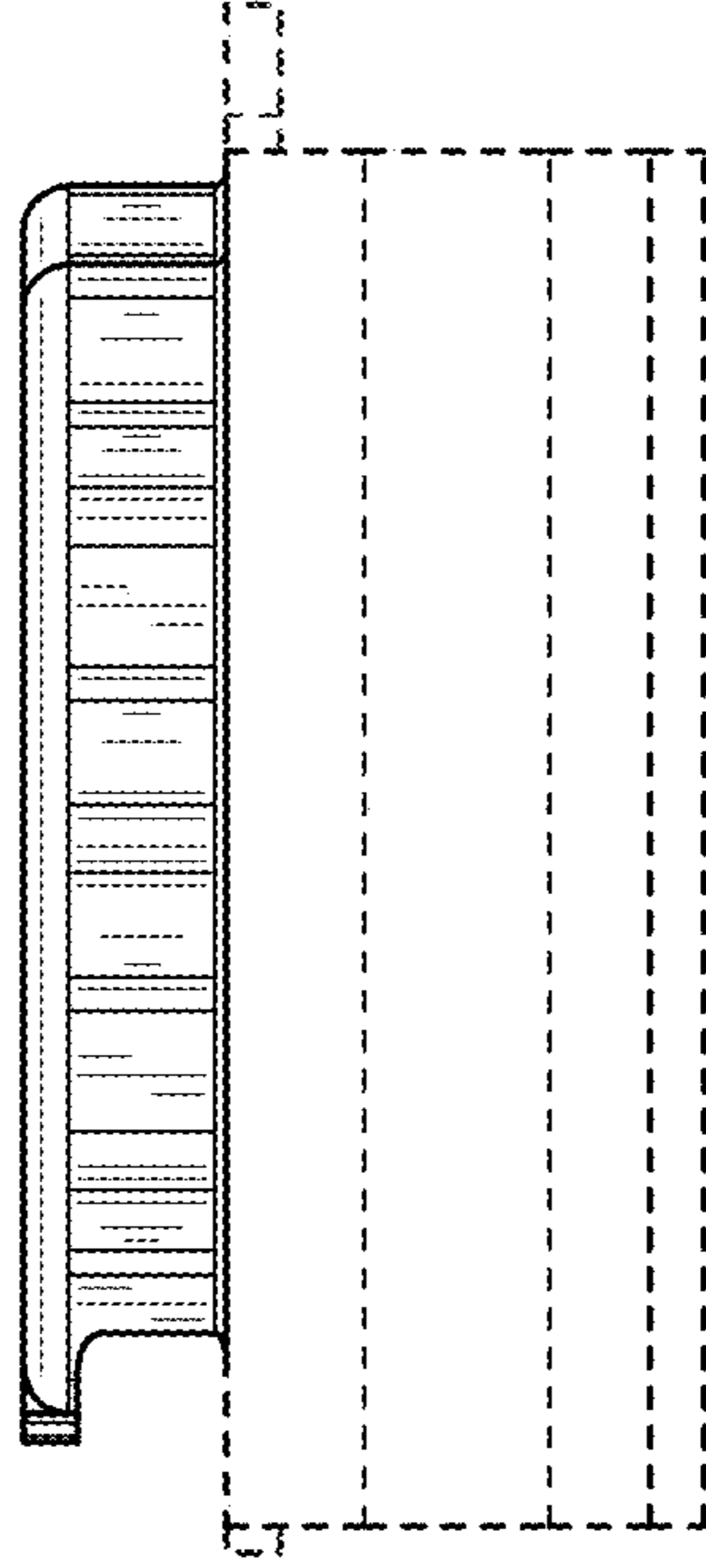


FIG. 37



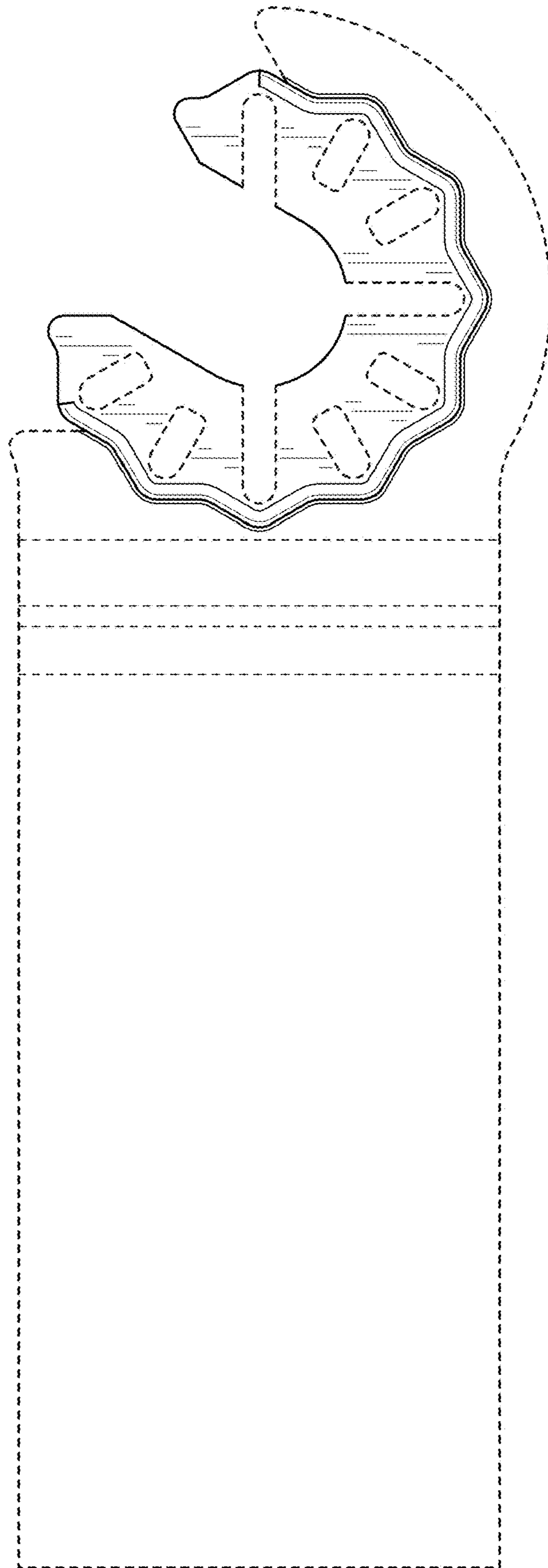


FIG. 38

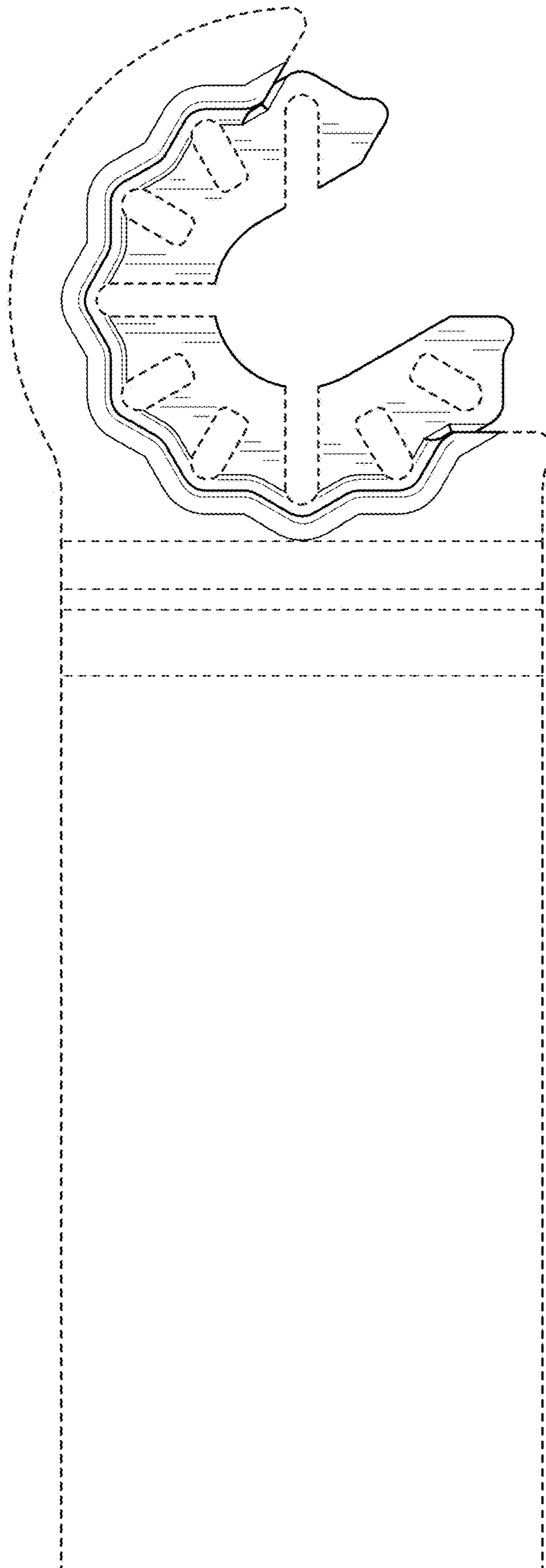


FIG. 39

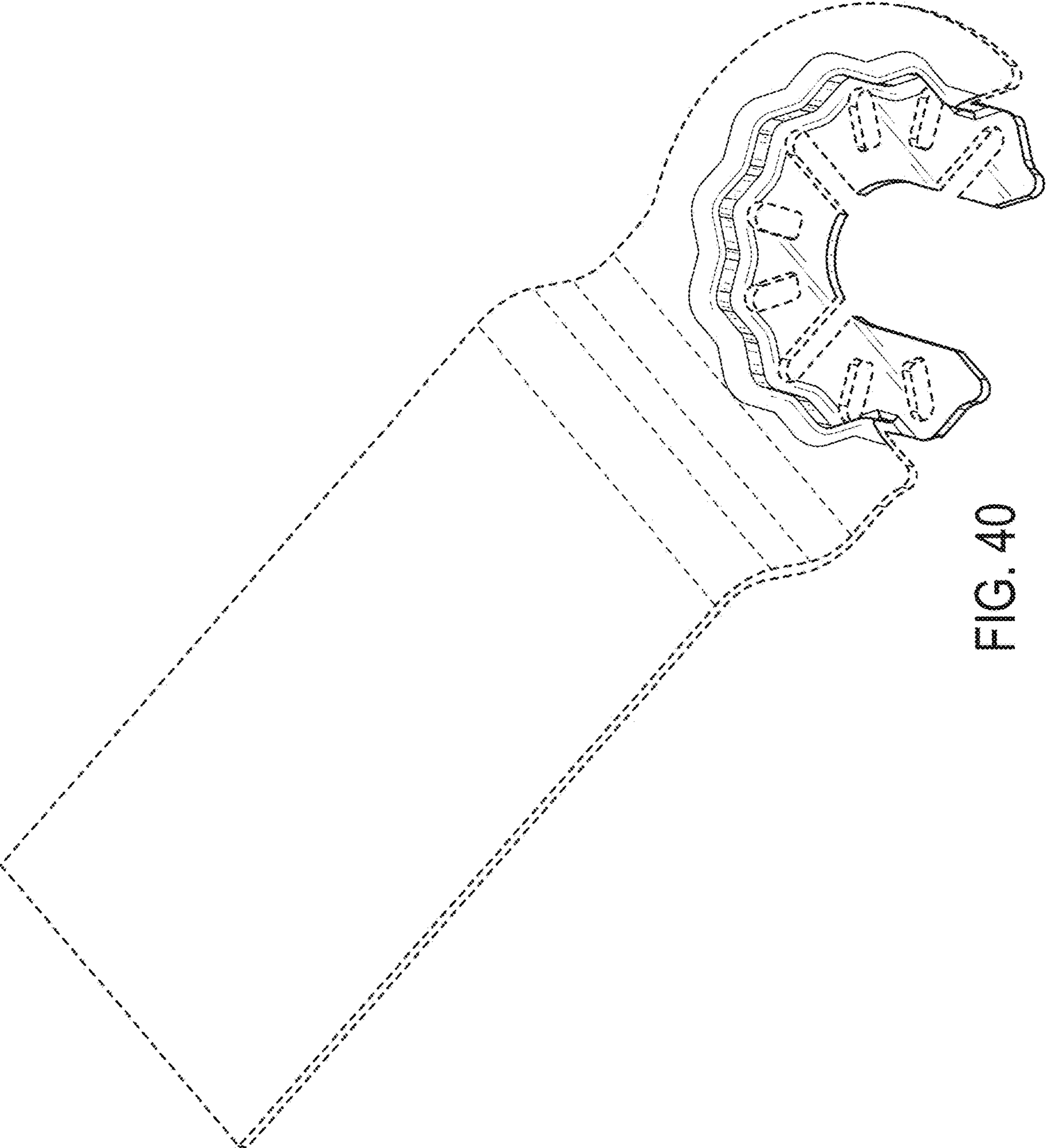


FIG. 40

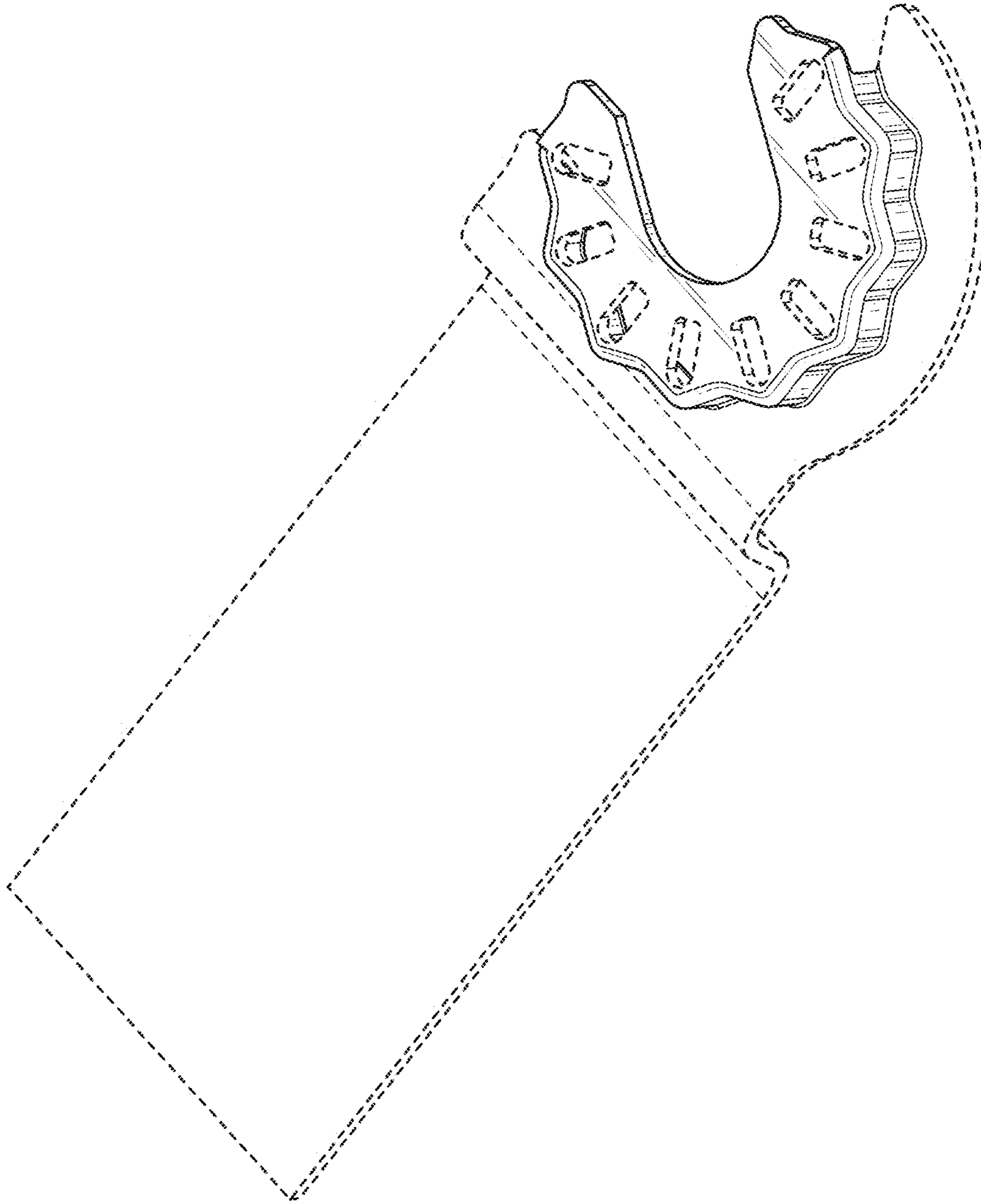


FIG. 41

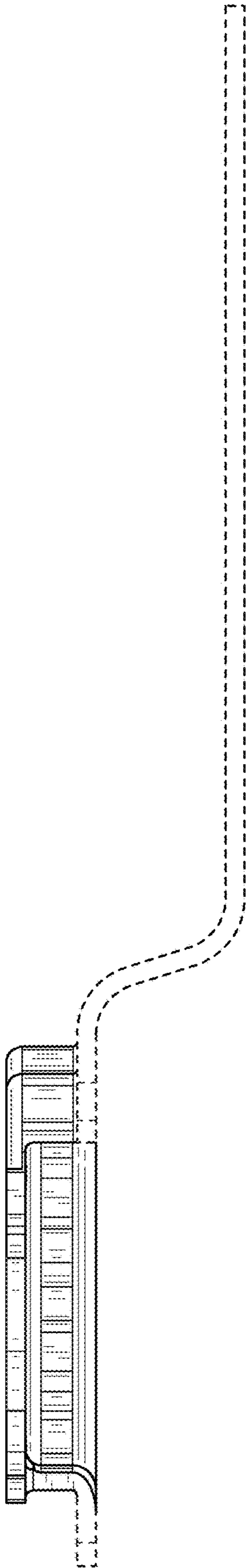


FIG. 42

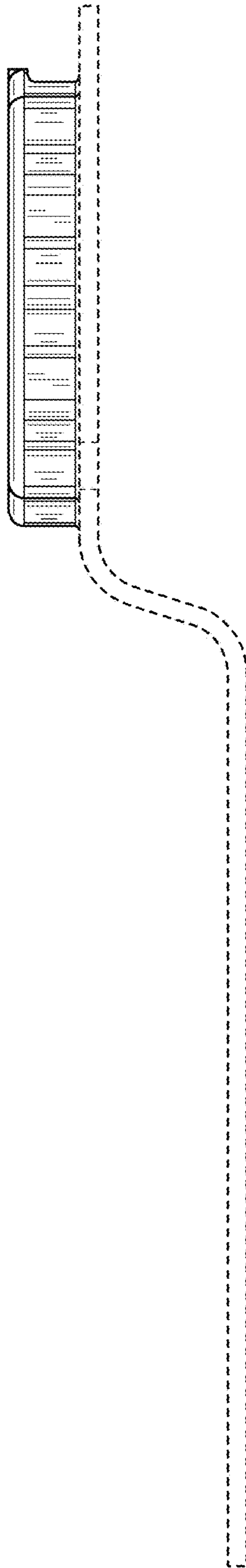


FIG. 43

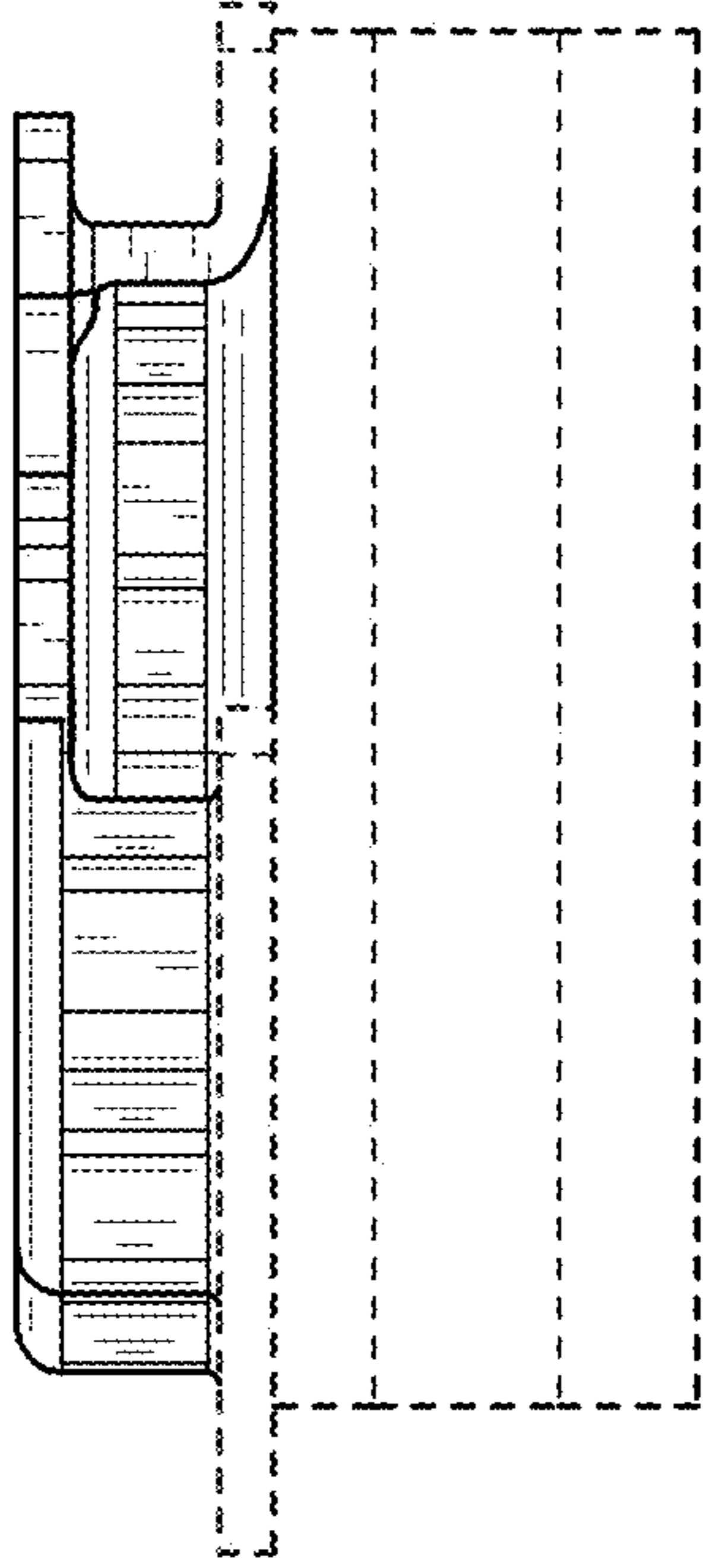


FIG. 44

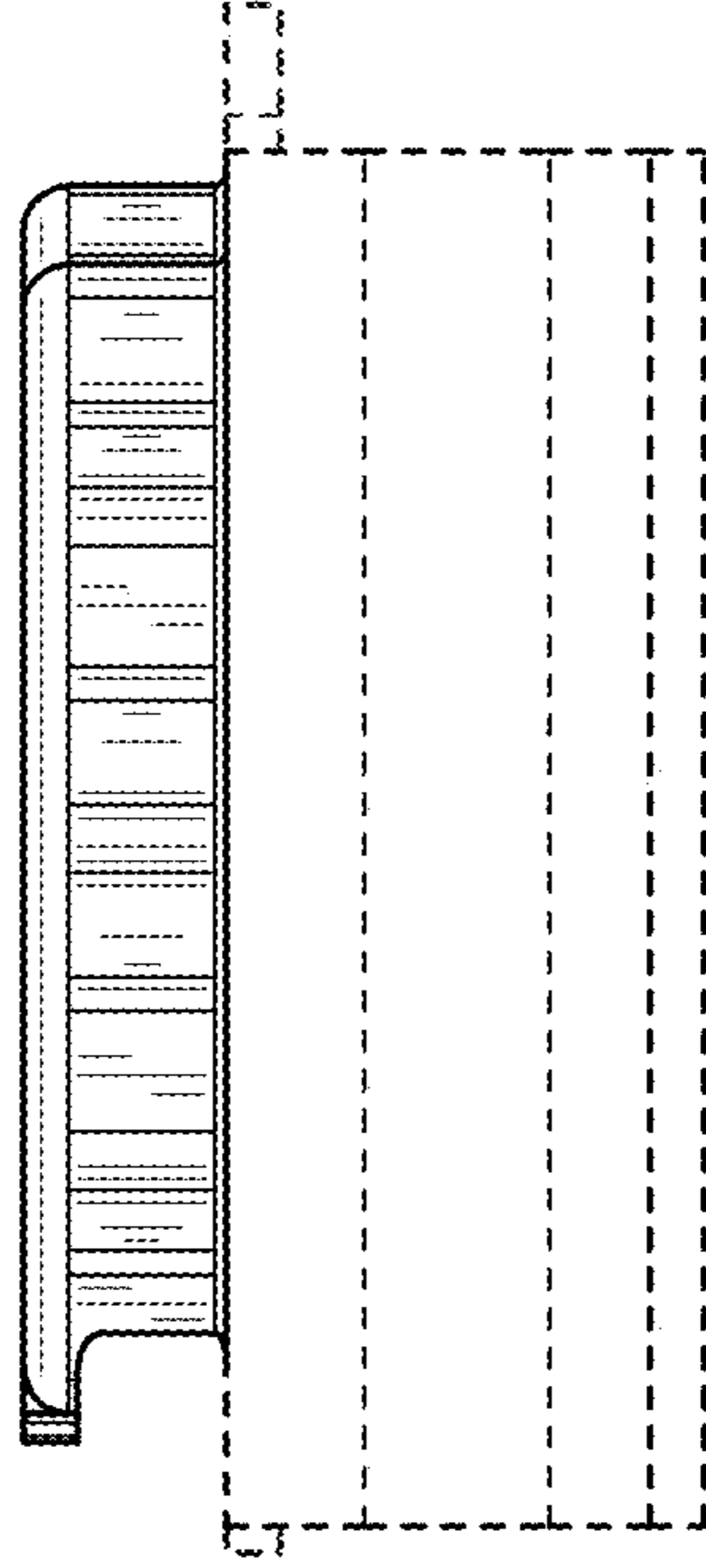


FIG. 45

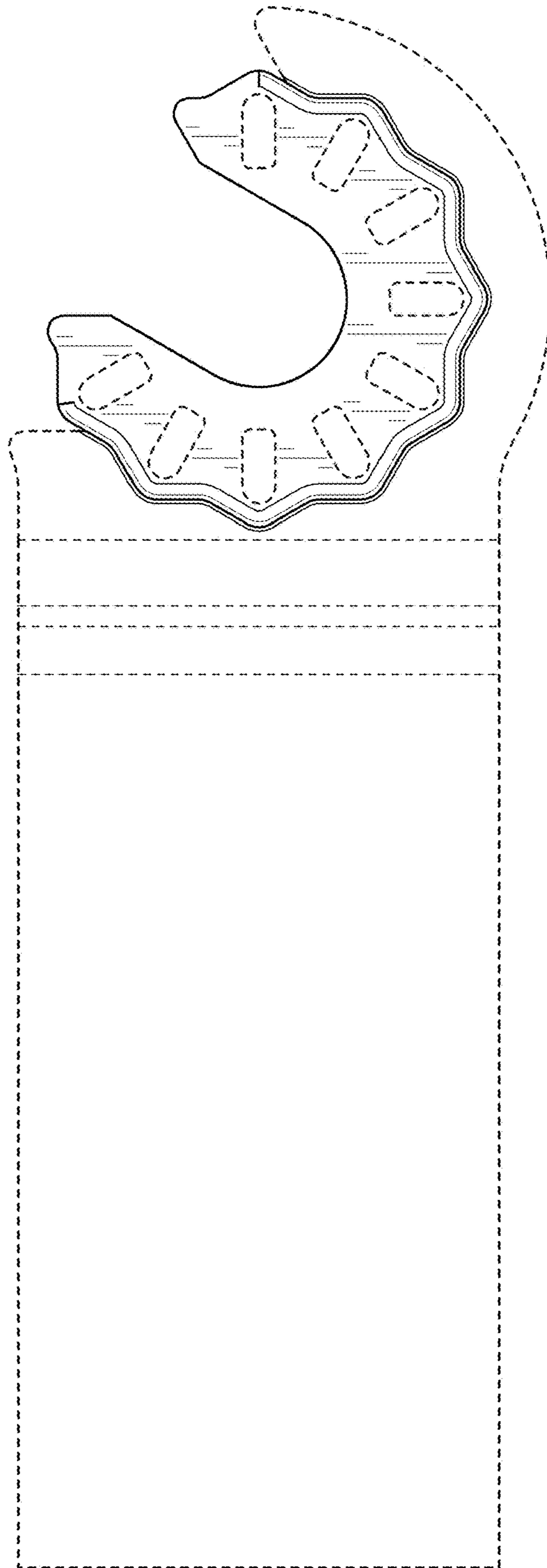


FIG. 46

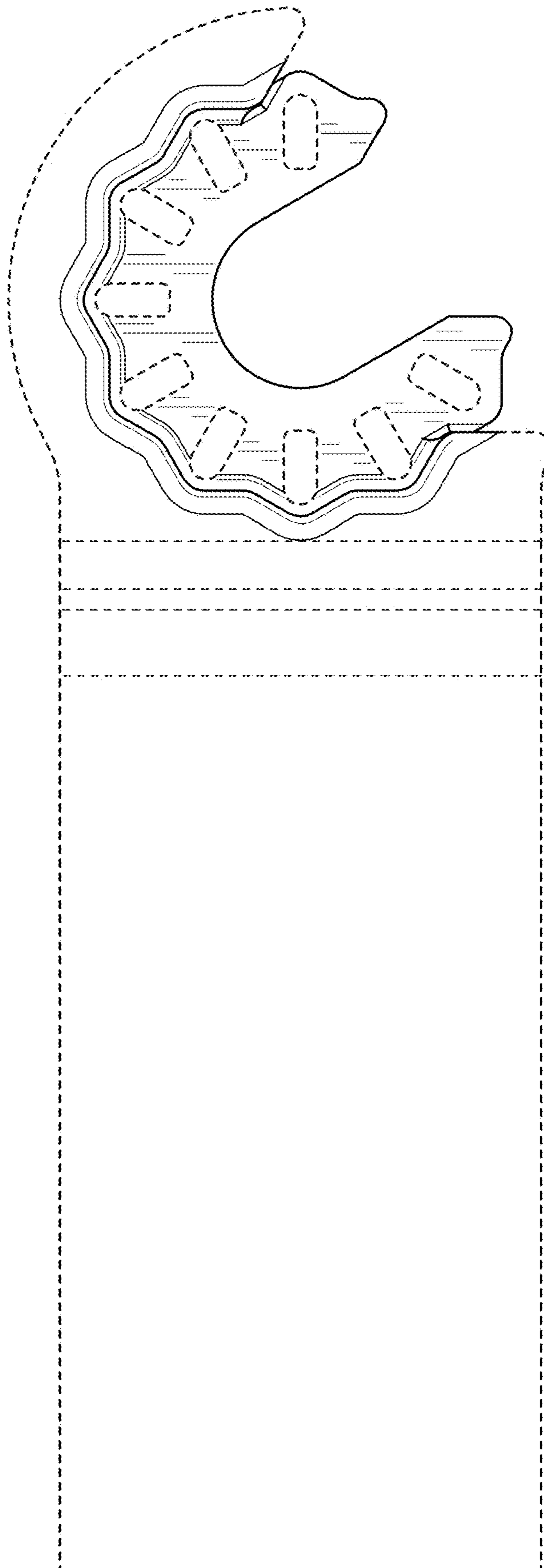


FIG. 47



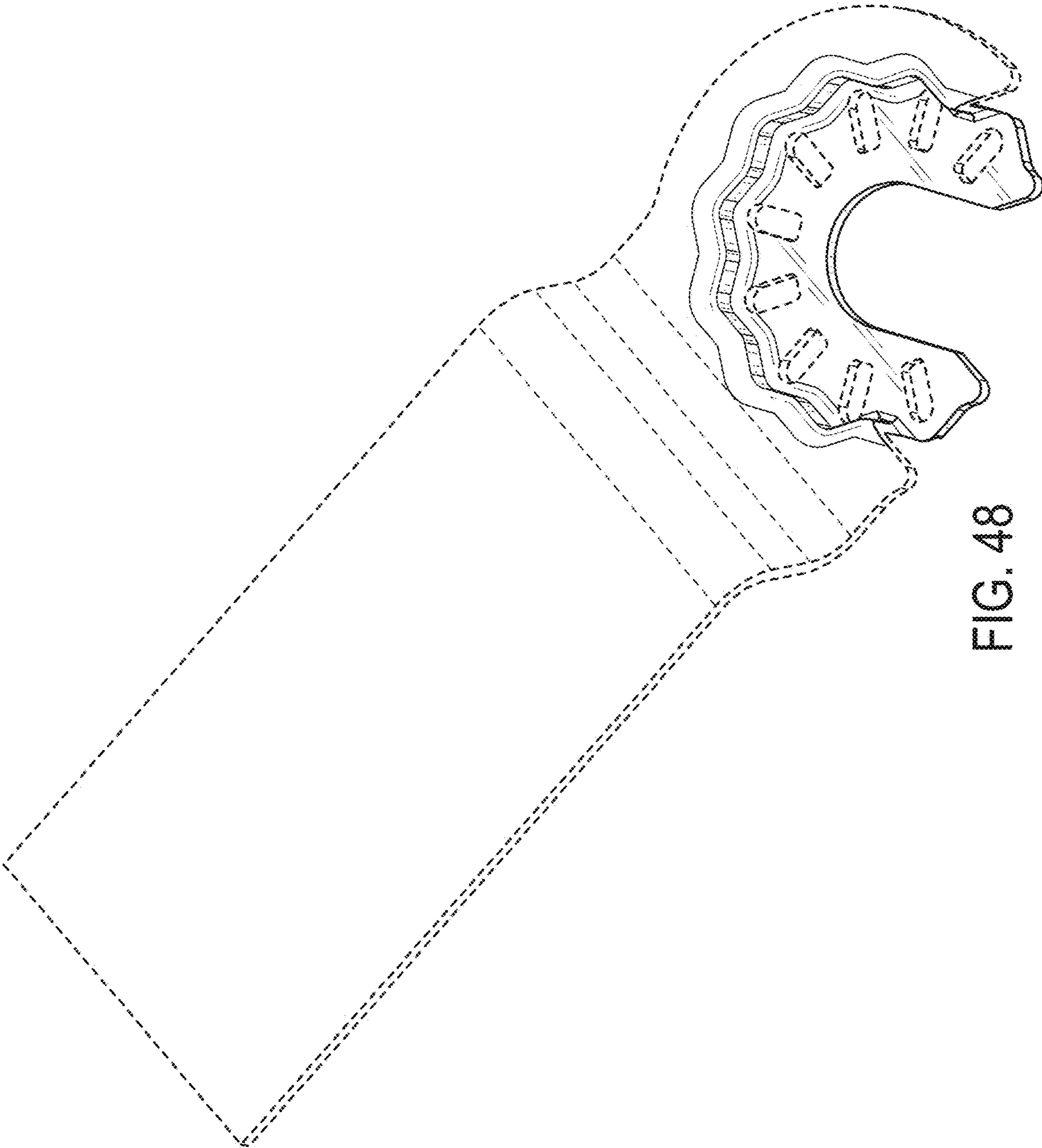


FIG. 48

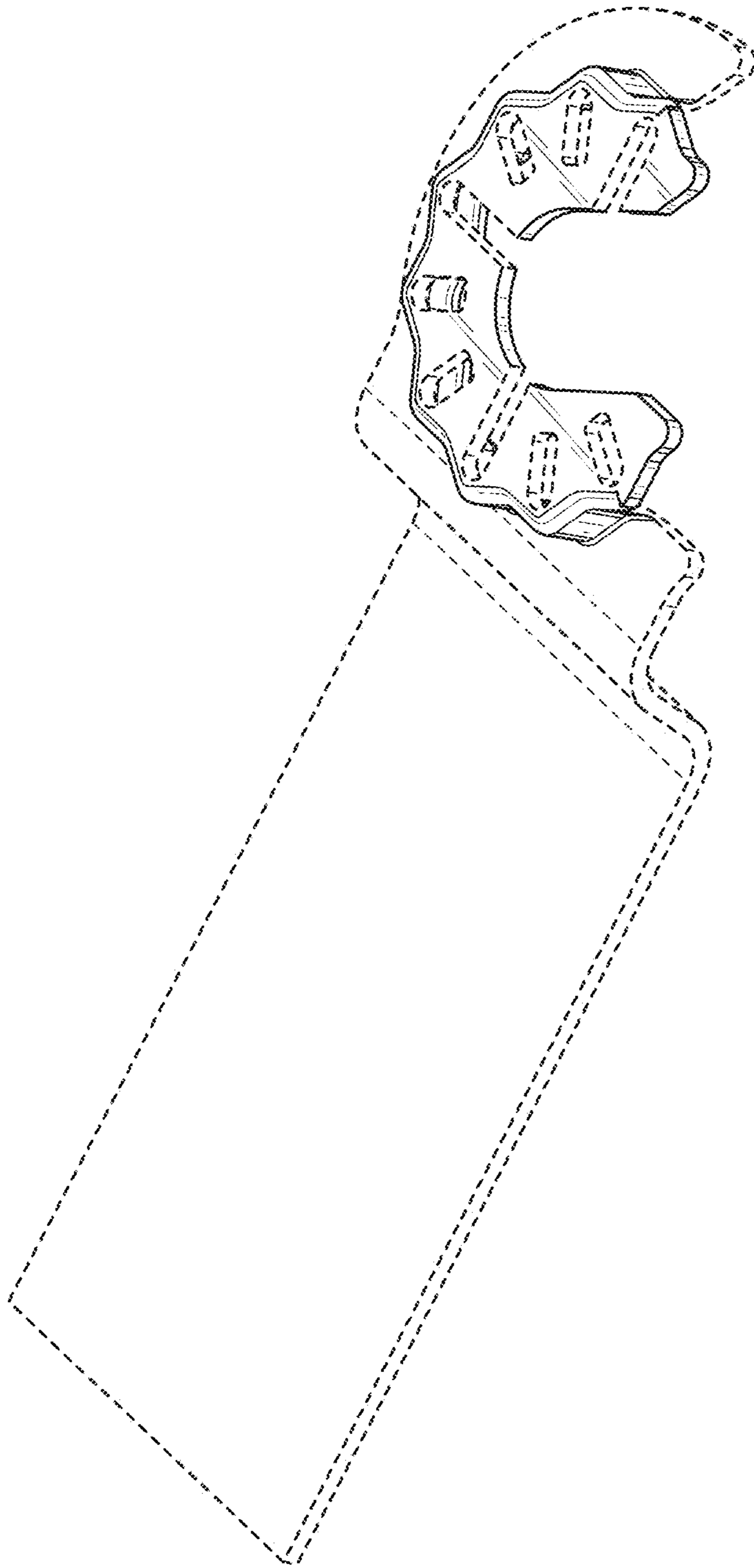


FIG. 49

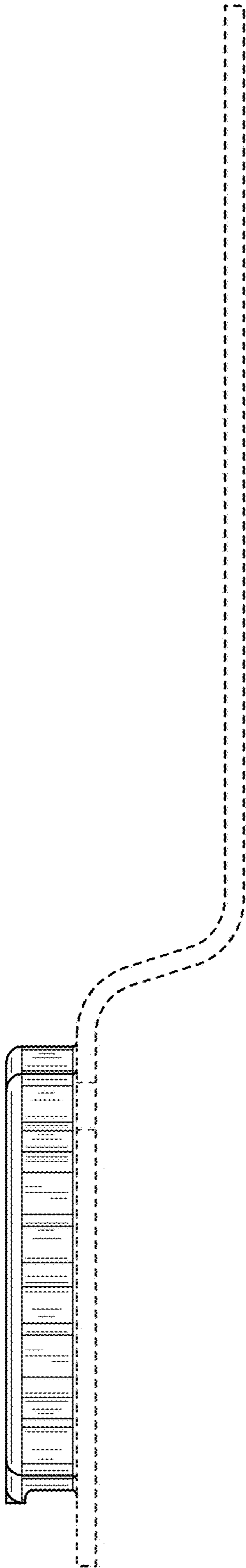


FIG. 50

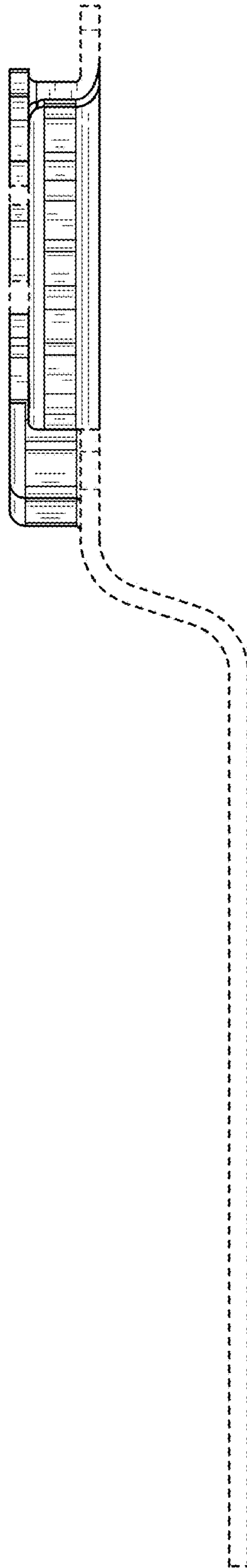


FIG. 51

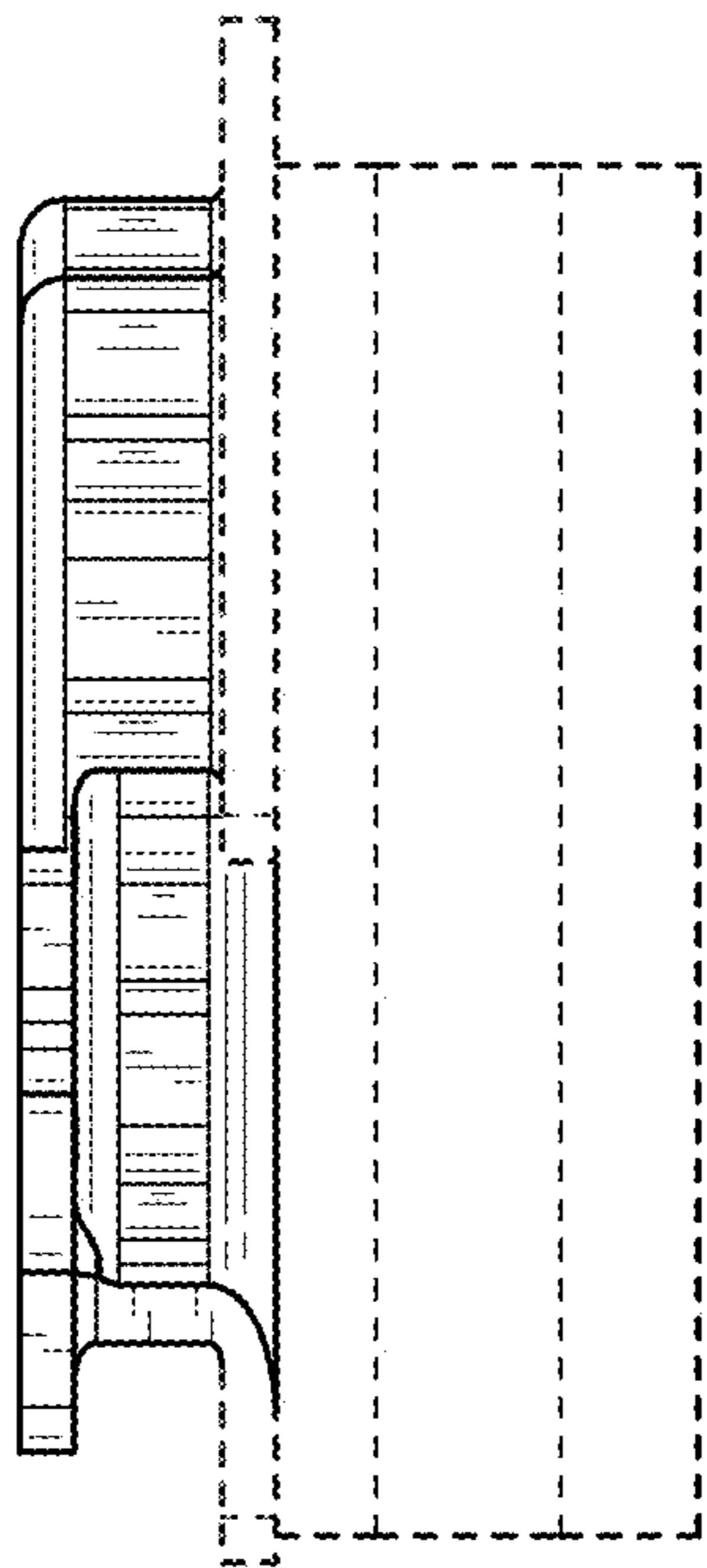


FIG. 52

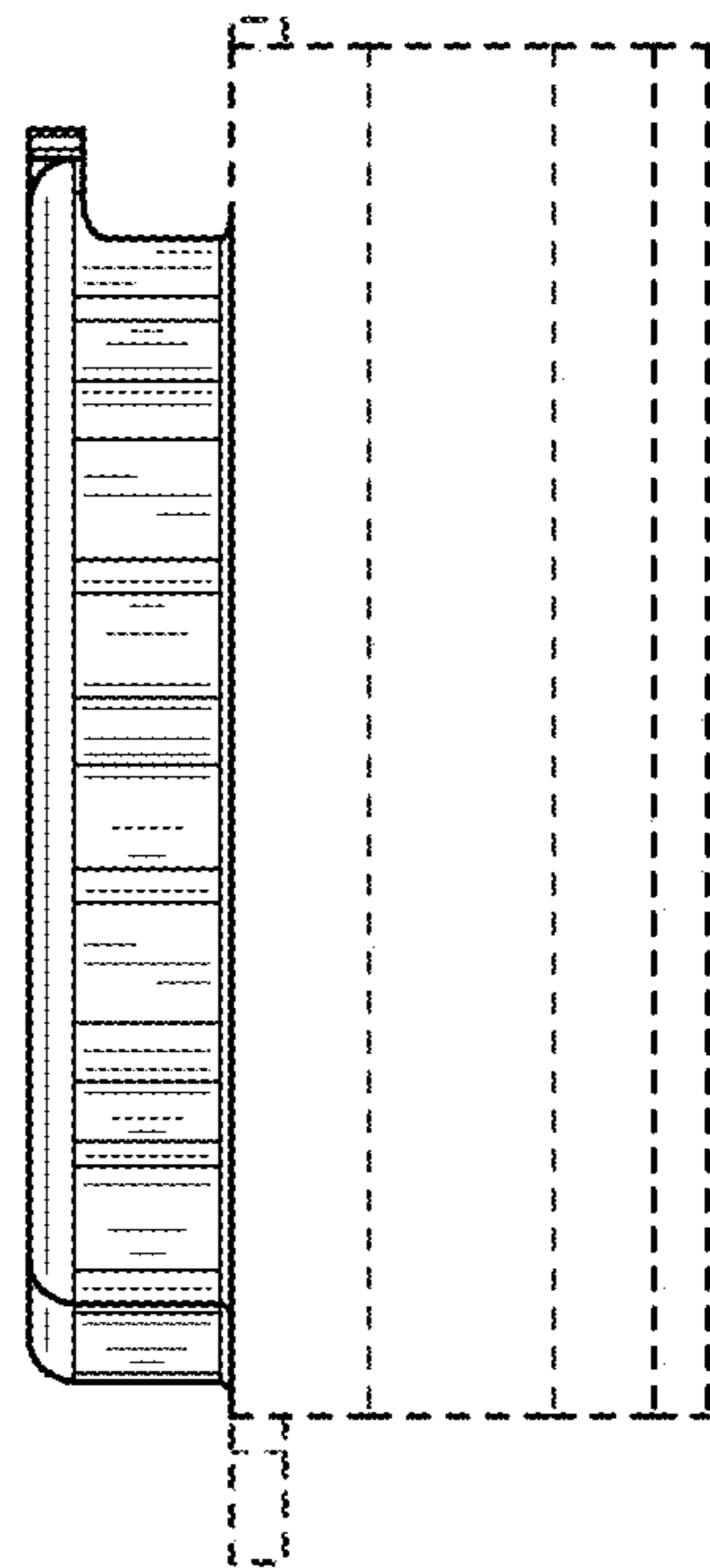


FIG. 53

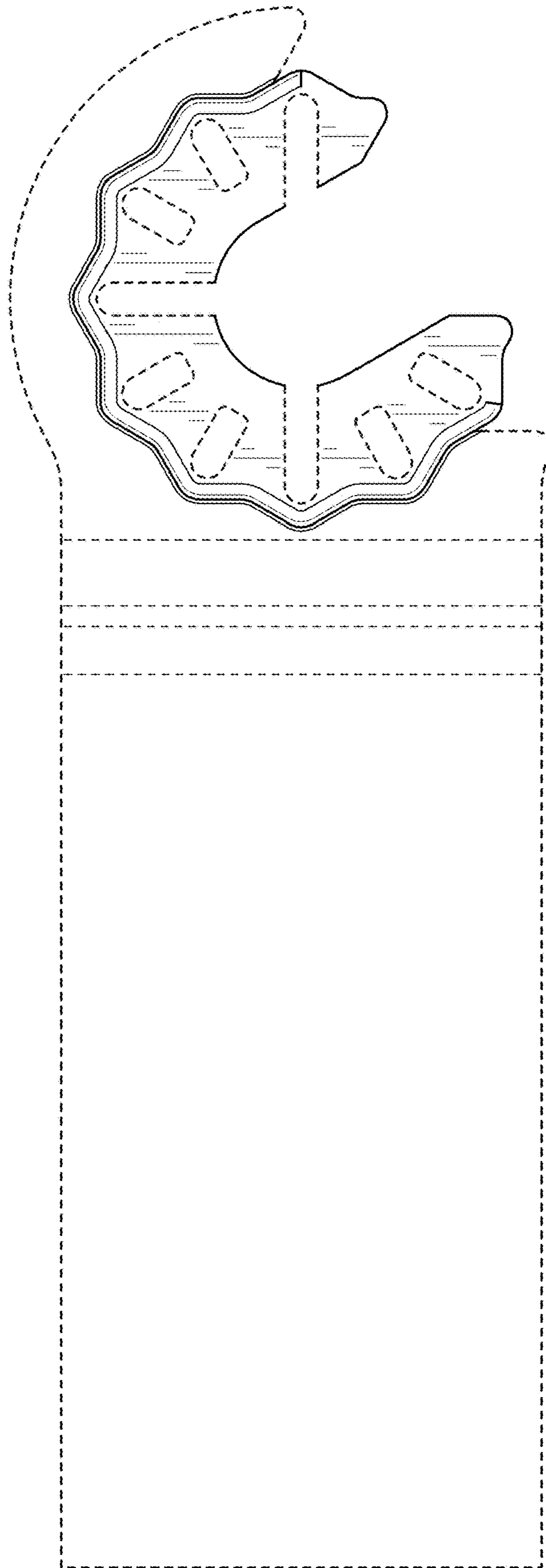


FIG. 54

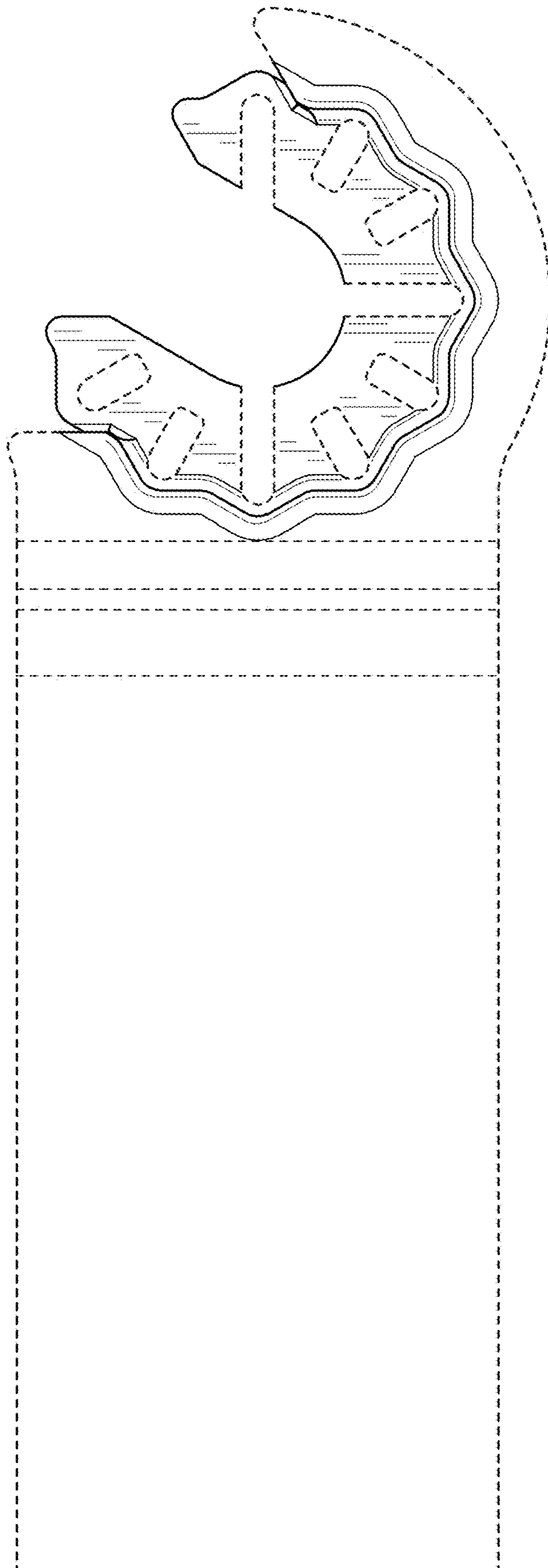


FIG. 55

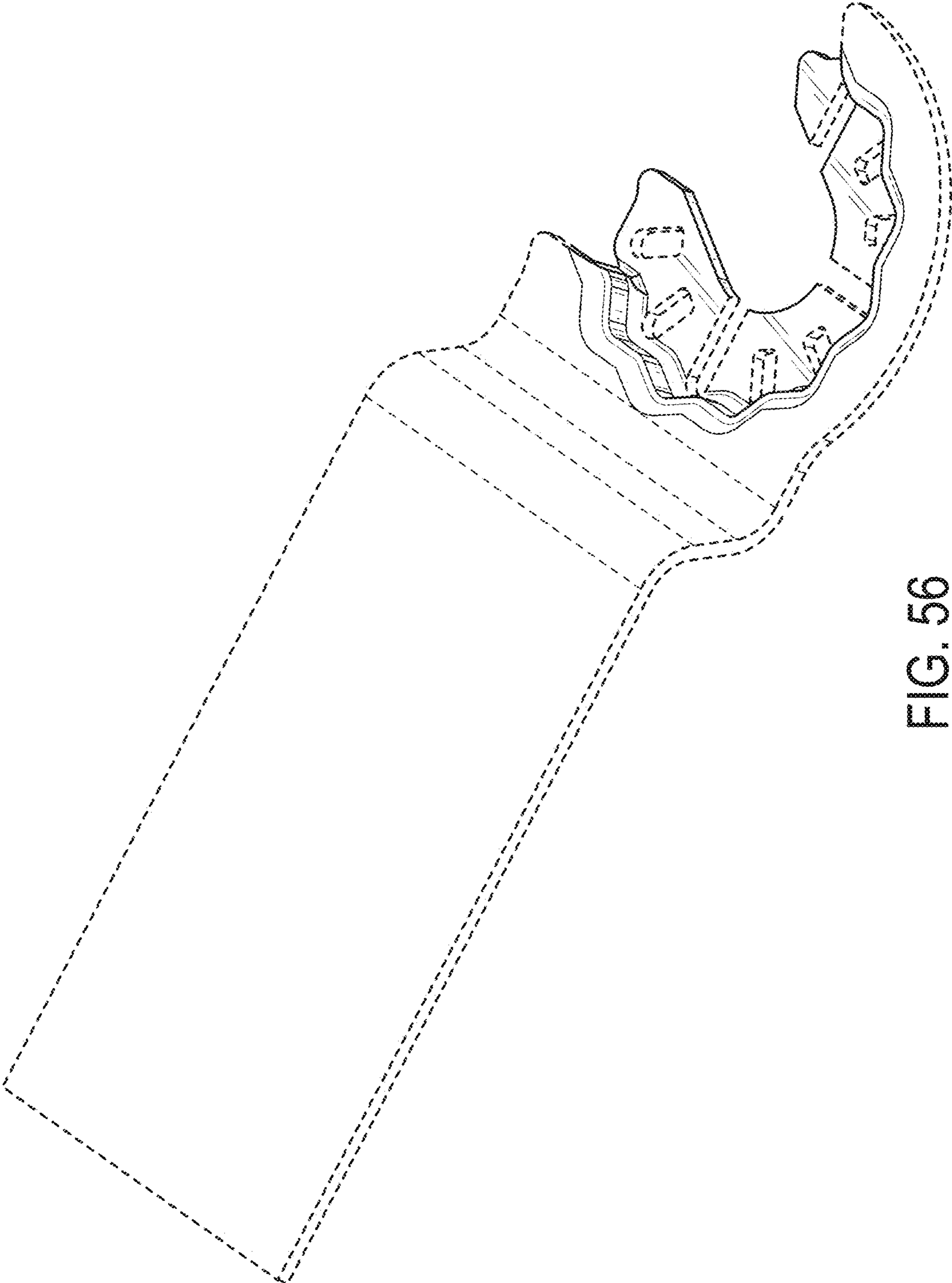


FIG. 56

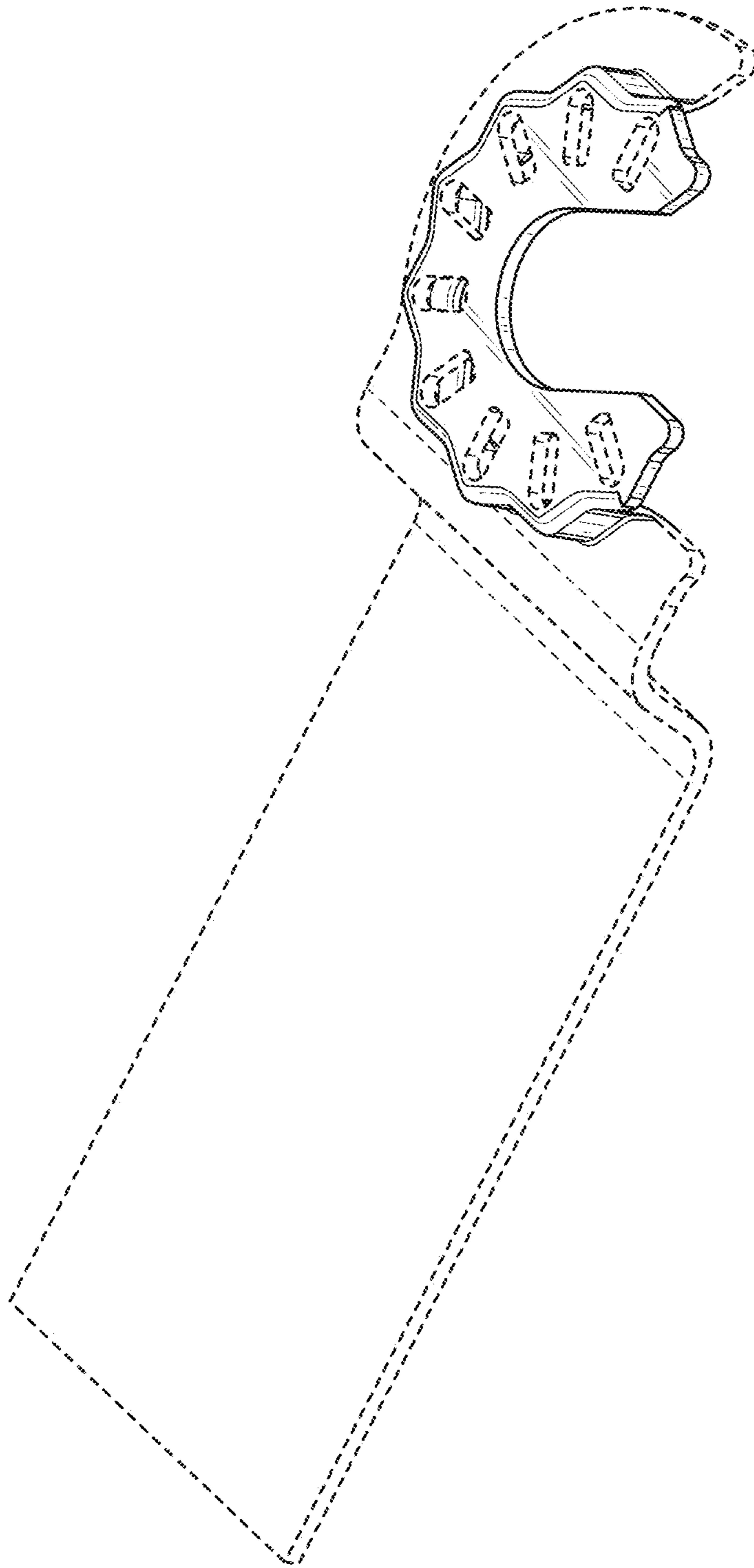


FIG. 57



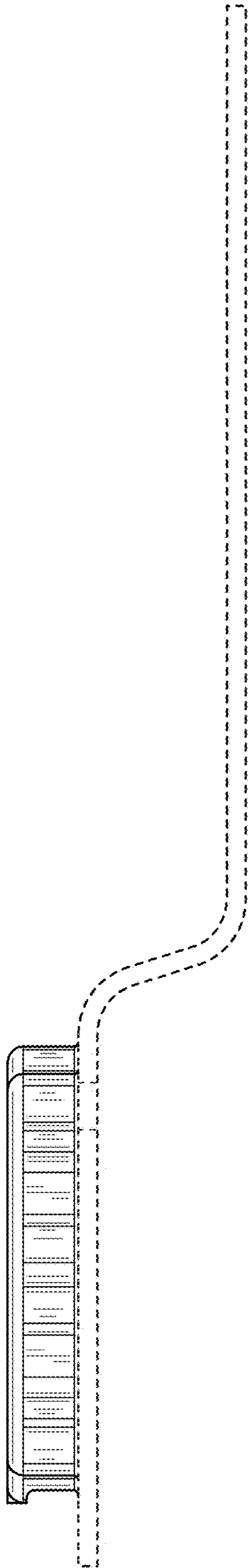


FIG. 58

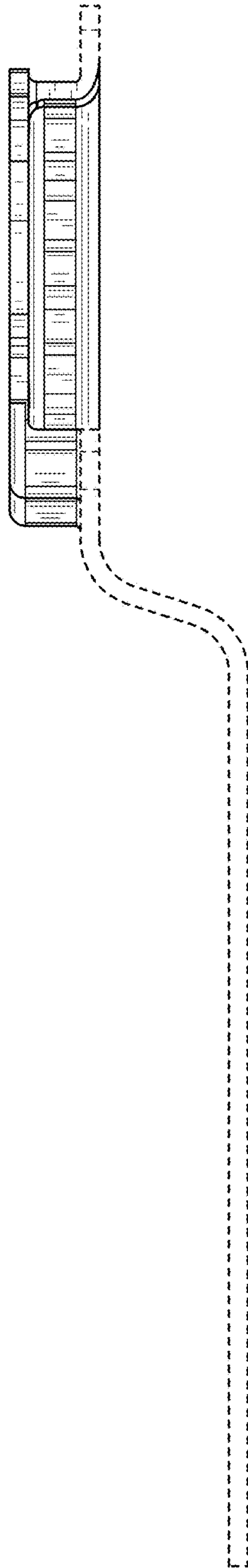


FIG. 59

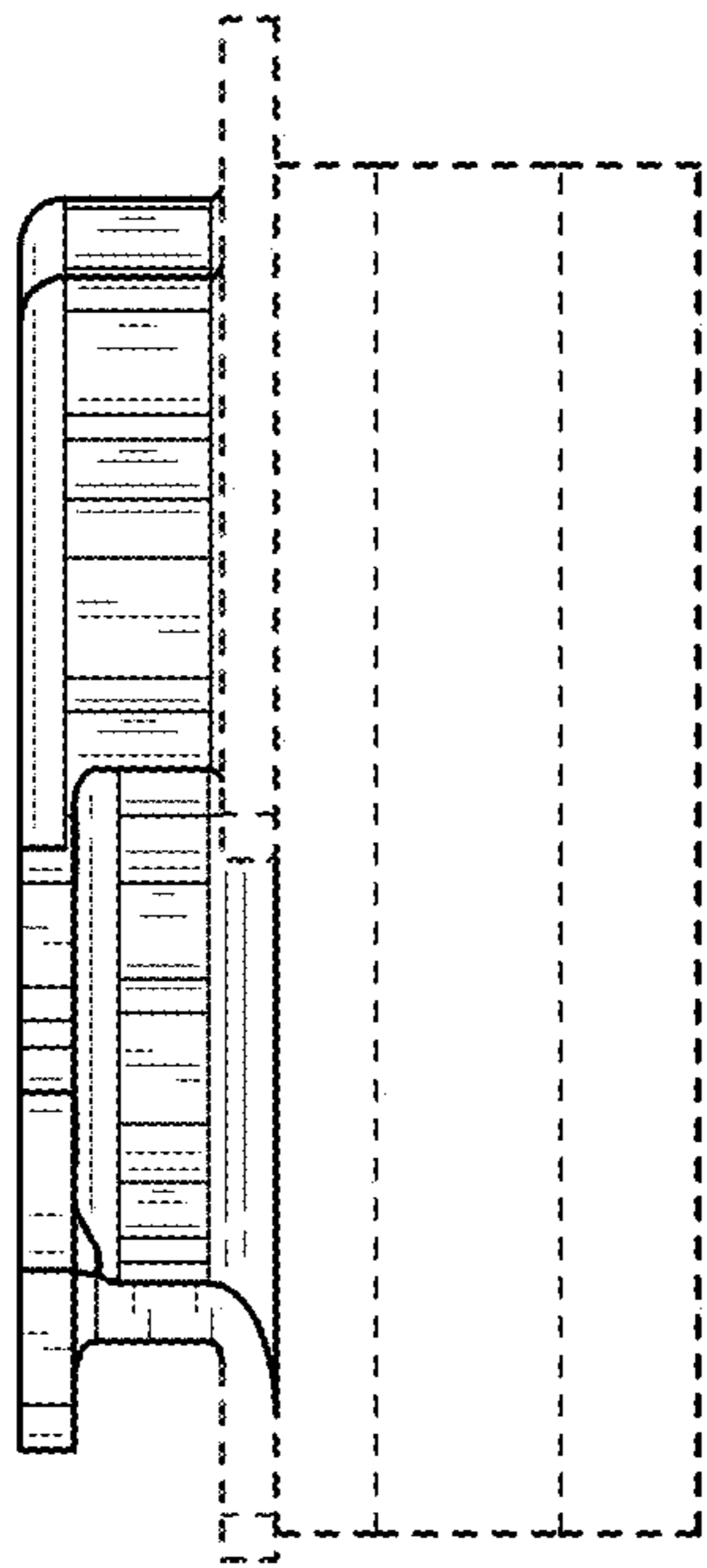


FIG. 60

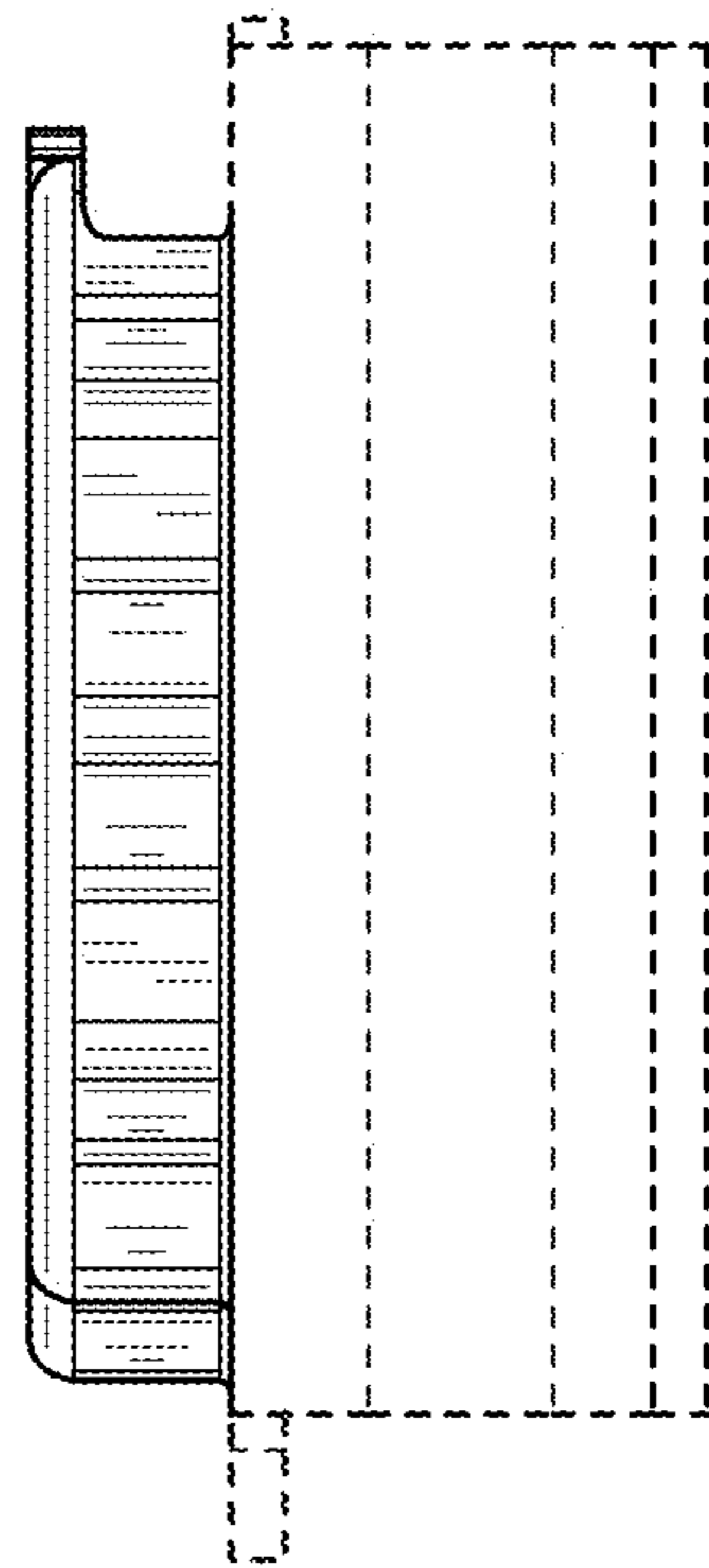


FIG. 61

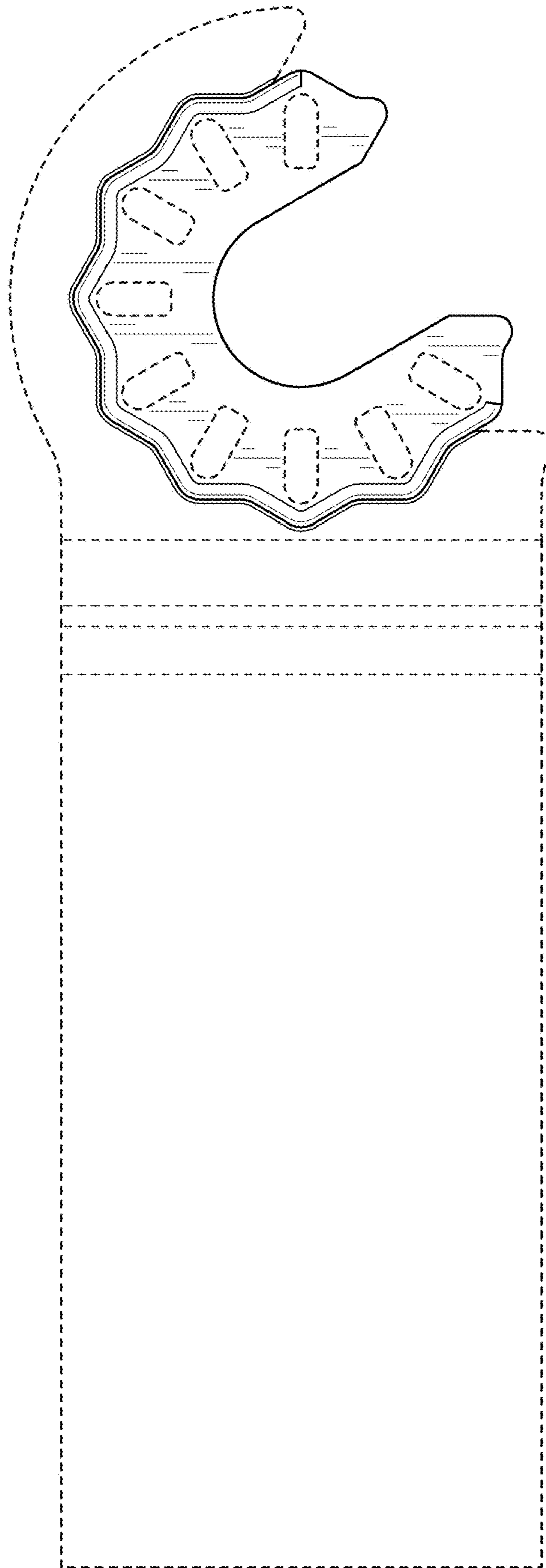


FIG. 62

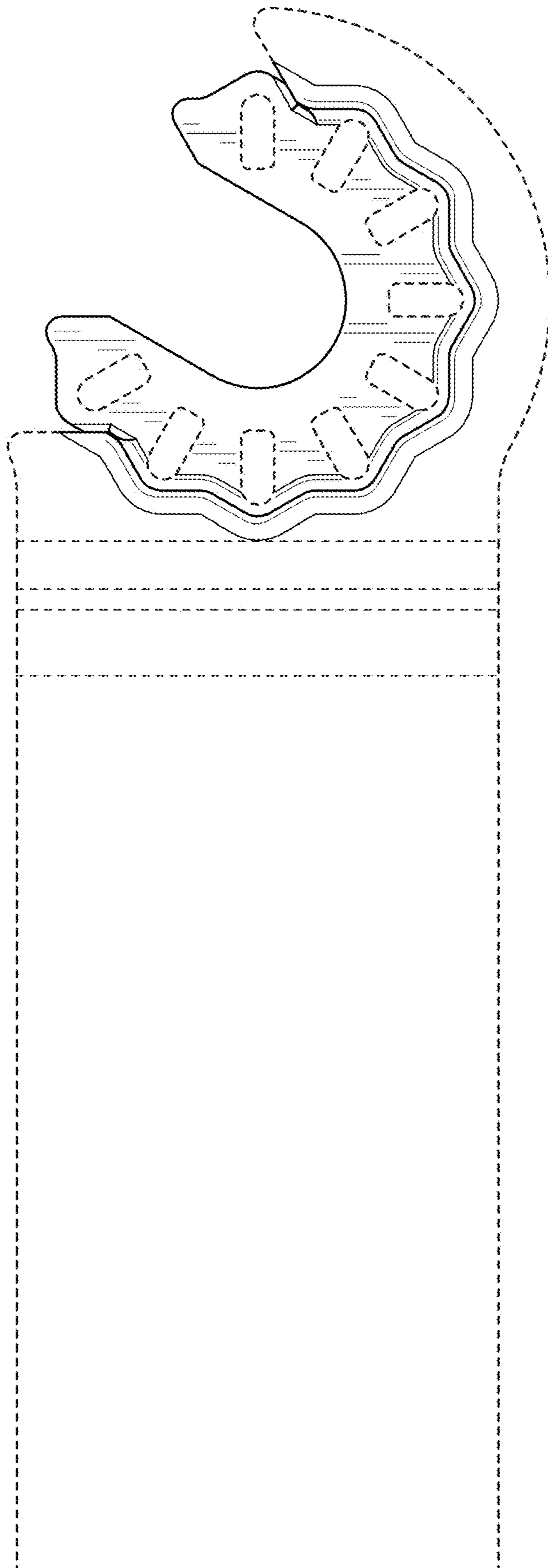


FIG. 63

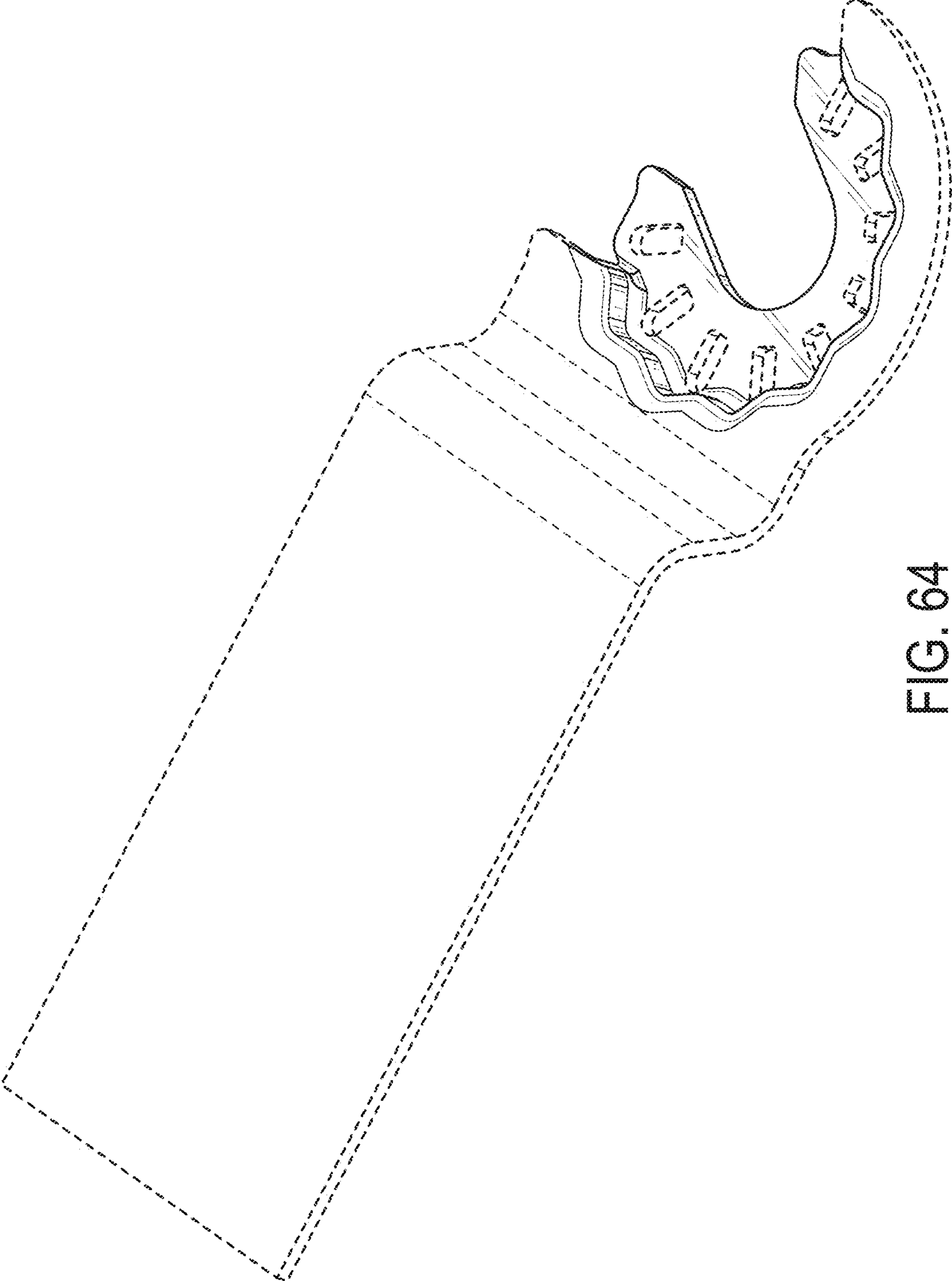


FIG. 64