



US00D871181S

(12) **United States Design Patent** (10) **Patent No.:** **US D871,181 S**  
**Imsand et al.** (45) **Date of Patent:** **\*\* Dec. 31, 2019**

(54) **IMPACT DRIVER**  
(71) Applicant: **Stanley Black & Decker, Inc.**, New Britain, CT (US)  
(72) Inventors: **Nicholas Imsand**, Huntersville, NC (US); **John Burnie**, Baltimore, MD (US)  
(73) Assignee: **Stanley Black & Decker Inc.**, New Britain, CT (US)  
(\*\*) Term: **15 Years**  
(21) Appl. No.: **29/629,518**  
(22) Filed: **Dec. 13, 2017**

D584,123 S \* 1/2009 Lopano ..... D8/68  
D585,715 S \* 2/2009 Okuda ..... D8/68  
D585,716 S \* 2/2009 Taniguchi ..... D8/68  
D606,376 S \* 12/2009 Okuda ..... D8/68  
D610,421 S \* 2/2010 Taniguchi ..... D8/68  
D614,468 S \* 4/2010 Aglassinger ..... D8/68  
D617,622 S \* 6/2010 Lopano ..... D8/68  
D628,038 S \* 11/2010 Aoki ..... D8/68  
D656,804 S \* 4/2012 Murray ..... D8/68  
D672,627 S \* 12/2012 Kawase ..... D8/61  
D677,137 S \* 3/2013 Kawase ..... D8/68  
D678,024 S \* 3/2013 Taniguchi ..... D8/68  
D679,160 S \* 4/2013 Okuda ..... D8/68  
D679,161 S \* 4/2013 Kawase ..... D8/61  
D691,444 S \* 10/2013 Tirone ..... D8/68  
D700,822 S \* 3/2014 Tschopp ..... D8/68  
D707,522 S \* 6/2014 Naksen ..... D8/68  
D721,938 S \* 2/2015 Aoki ..... D8/68  
D761,069 S \* 7/2016 Aoki ..... D8/68  
D777,545 S \* 1/2017 Kosugi ..... D8/68

**Related U.S. Application Data**

(63) Continuation of application No. 15/603,109, filed on May 23, 2017.  
(51) **LOC (12) Cl.** ..... **08-05**  
(52) **U.S. Cl.**  
USPC ..... **D8/68**  
(58) **Field of Classification Search**  
USPC ..... D8/61, 67, 68  
CPC .... B62D 23/005; B62D 29/00; B62D 29/043;  
B62D 31/00; B62D 33/046; B62D 35/00;  
B62D 35/001; B60Q 1/0005  
See application file for complete search history.

**References Cited**

**U.S. PATENT DOCUMENTS**

D524,136 S \* 7/2006 Taniguchi ..... D8/68  
D525,099 S \* 7/2006 Nagasaka ..... D8/68  
D556,002 S \* 11/2007 Ino ..... D8/68  
D567,615 S \* 4/2008 Taniguchi ..... D8/68  
D577,558 S \* 9/2008 Taniguchi ..... D8/68  
D579,743 S \* 11/2008 Lopano ..... D8/68

\* cited by examiner

*Primary Examiner* — Darlington Ly  
(74) *Attorney, Agent, or Firm* — Caeden Drayton

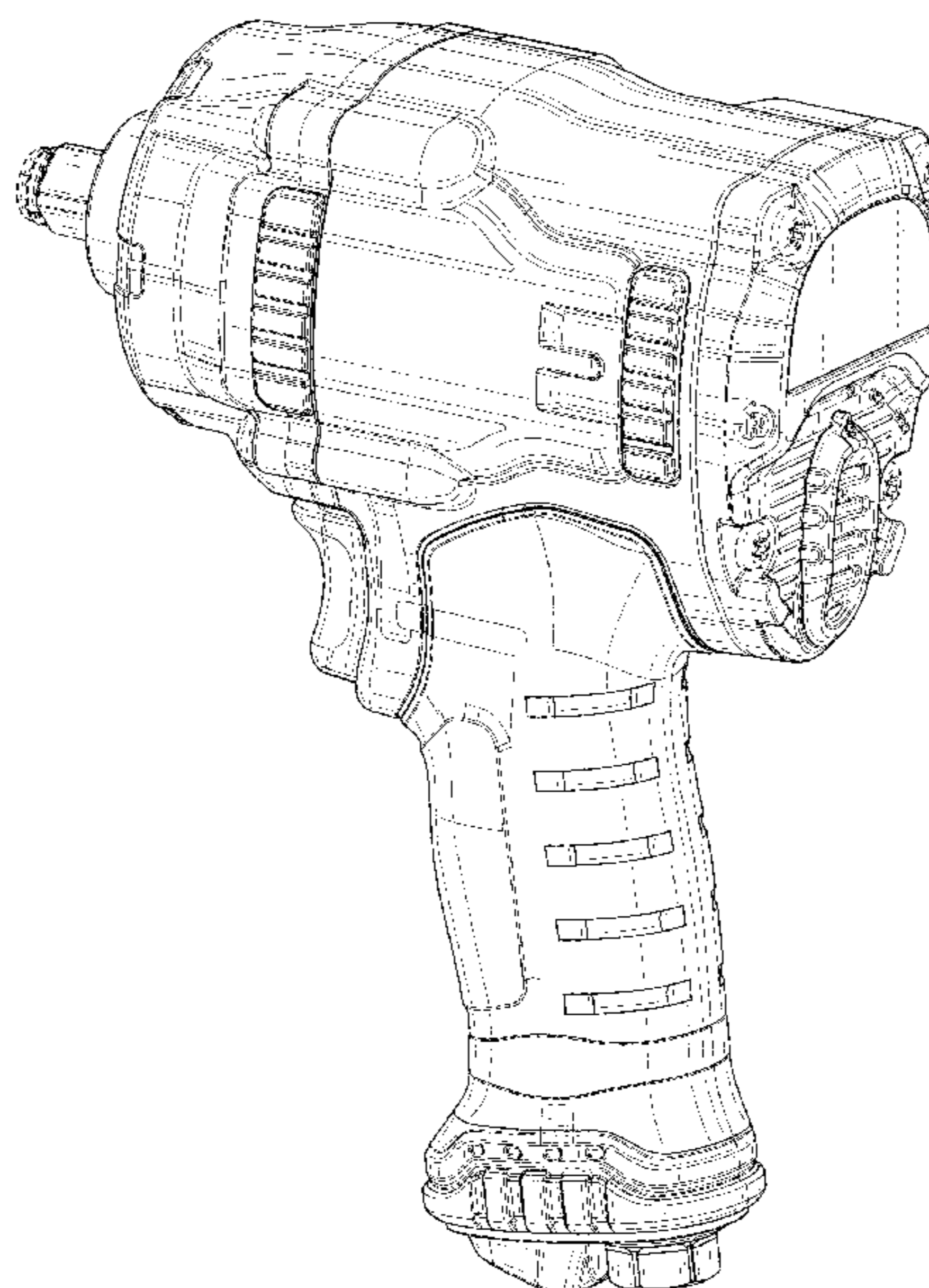
(57) **CLAIM**

The ornamental design for an impact driver, as shown and described.

**DESCRIPTION**

FIG. 1 is a top, rear and left perspective view of an impact driver showing our design;  
FIG. 2 is a front elevation view thereof;  
FIG. 3 is a rear elevation view thereof;  
FIG. 4 is a left side elevation view thereof;  
FIG. 5 is a right side elevation view thereof;  
FIG. 6 is a top plan view thereof; and,  
FIG. 7 is a bottom plan view thereof.  
The broken lines in the drawings illustrate portions of the impact driver that form no part of the claimed design.

**1 Claim, 5 Drawing Sheets**



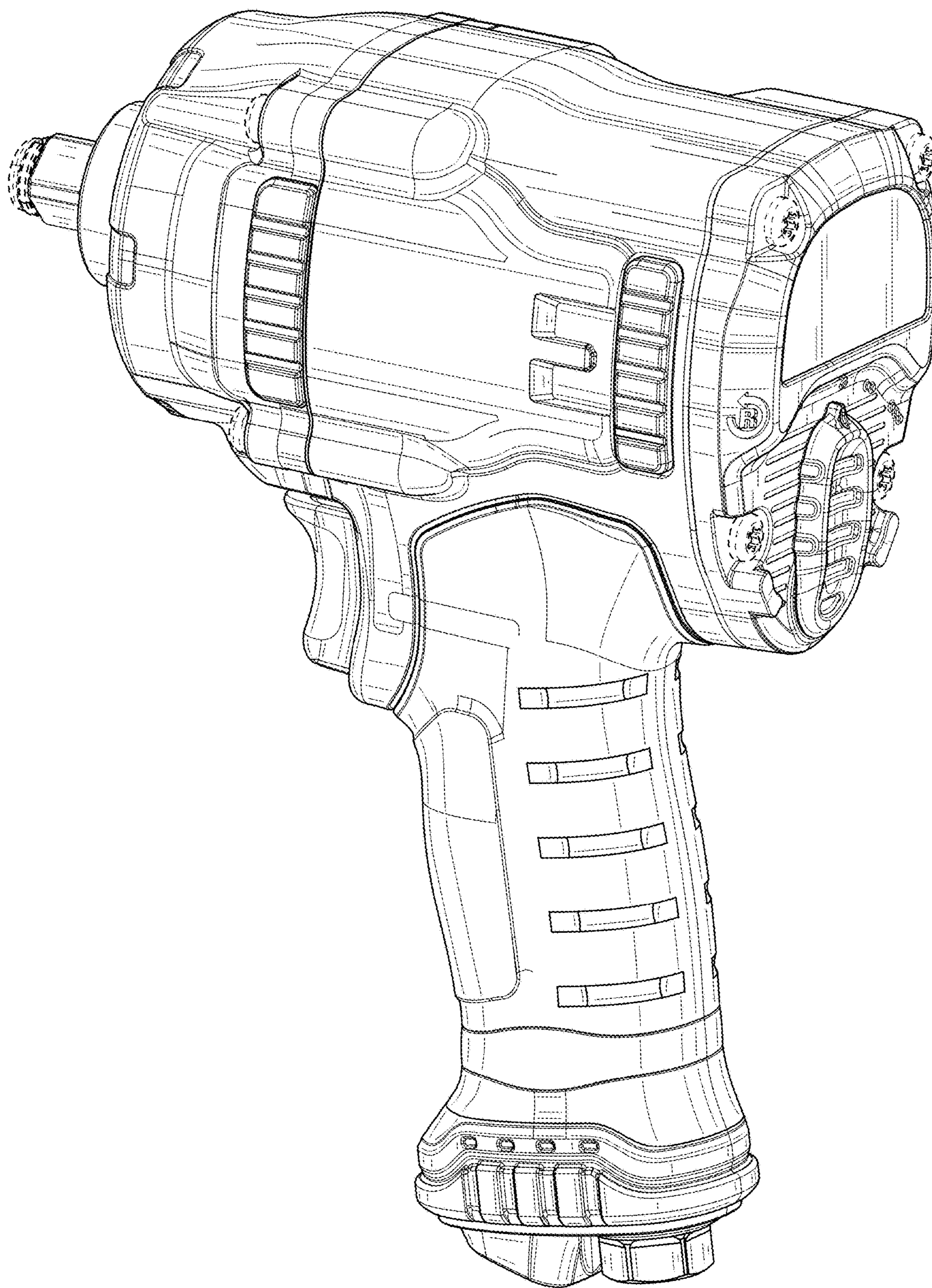


FIG. 1

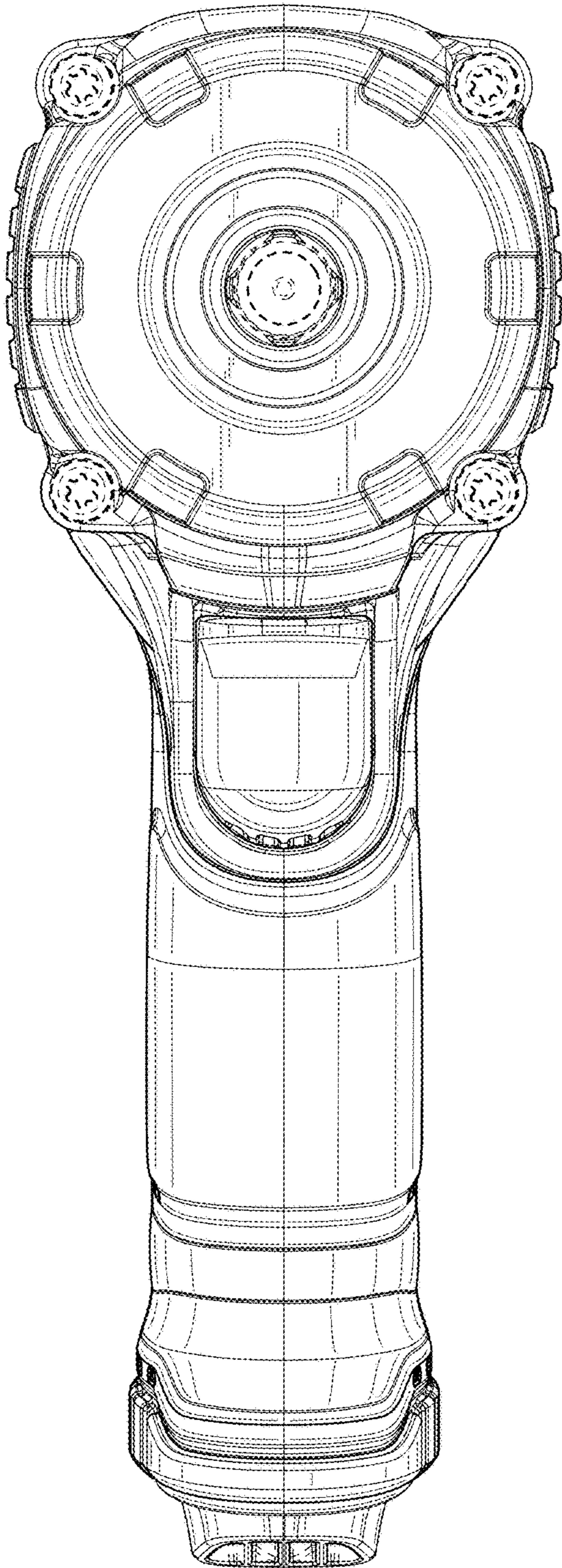


FIG. 2

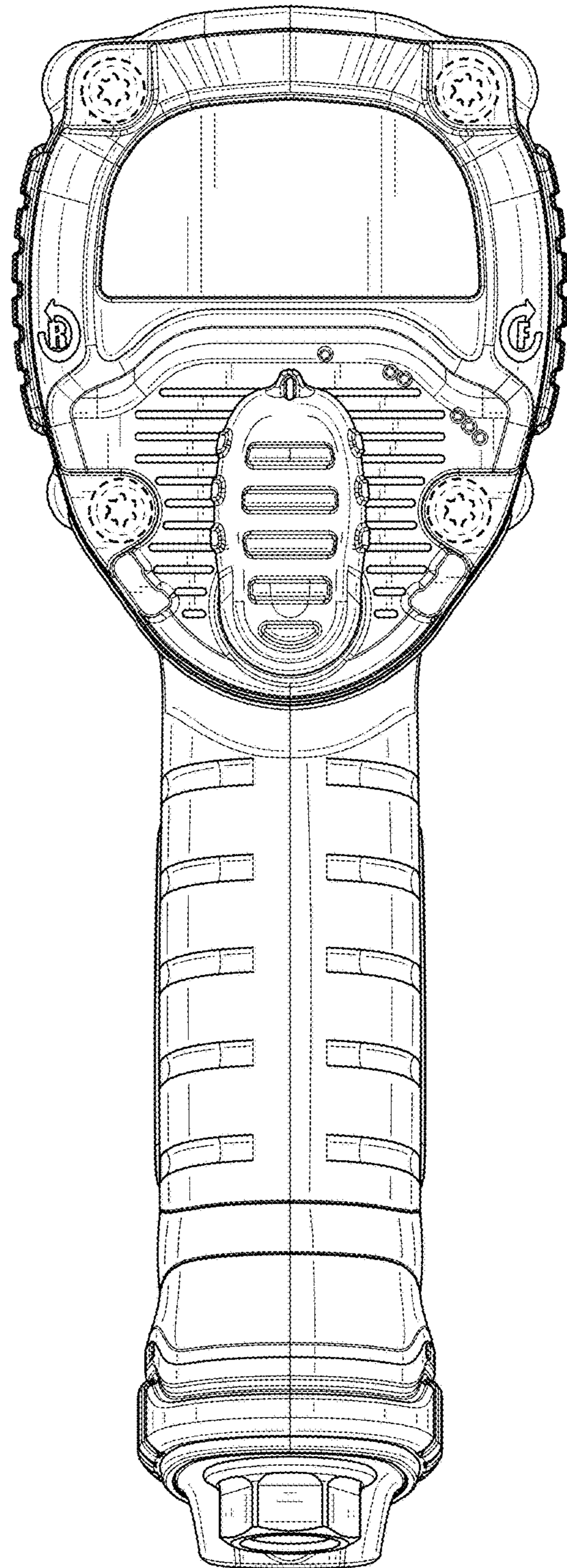


FIG. 3

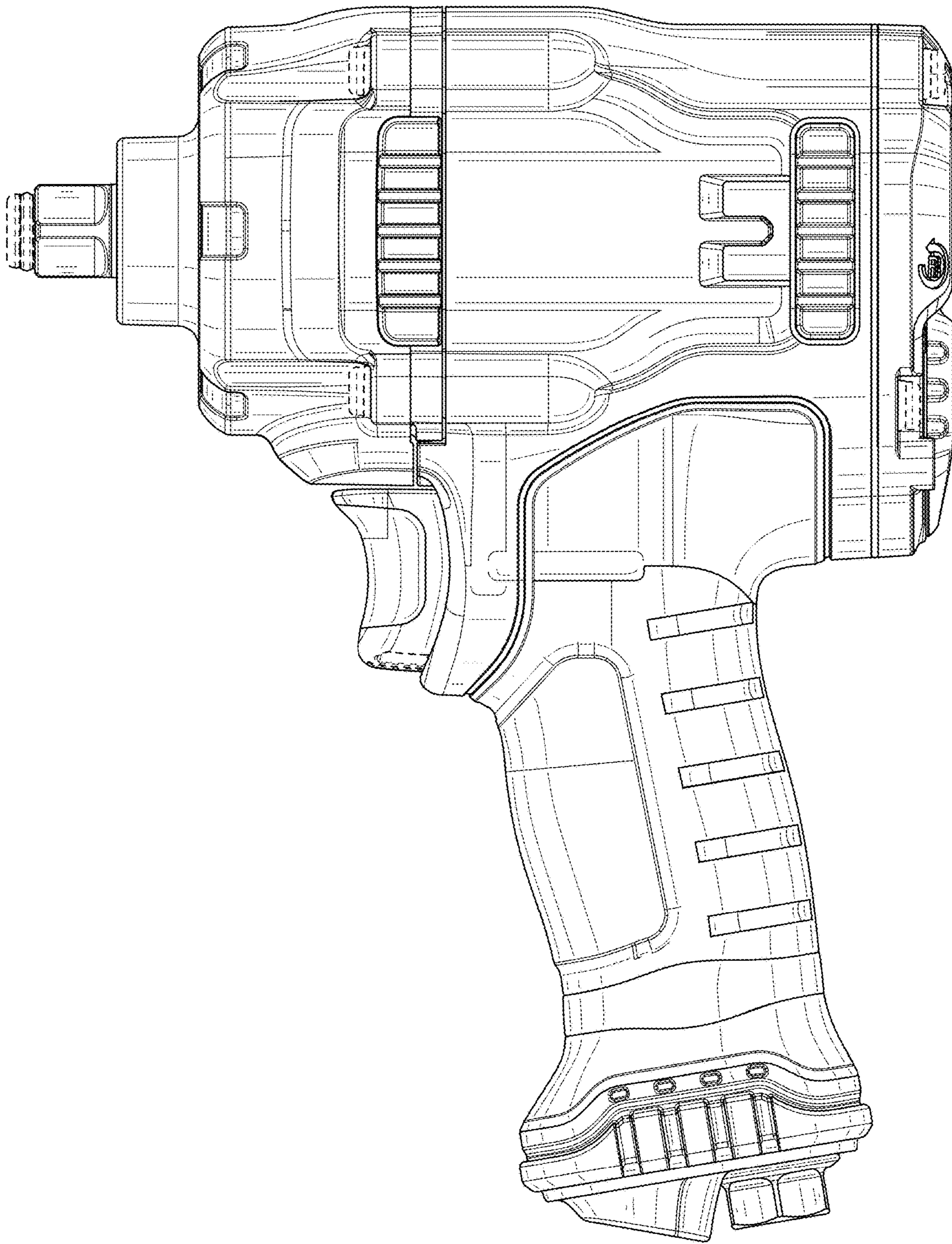


FIG. 4

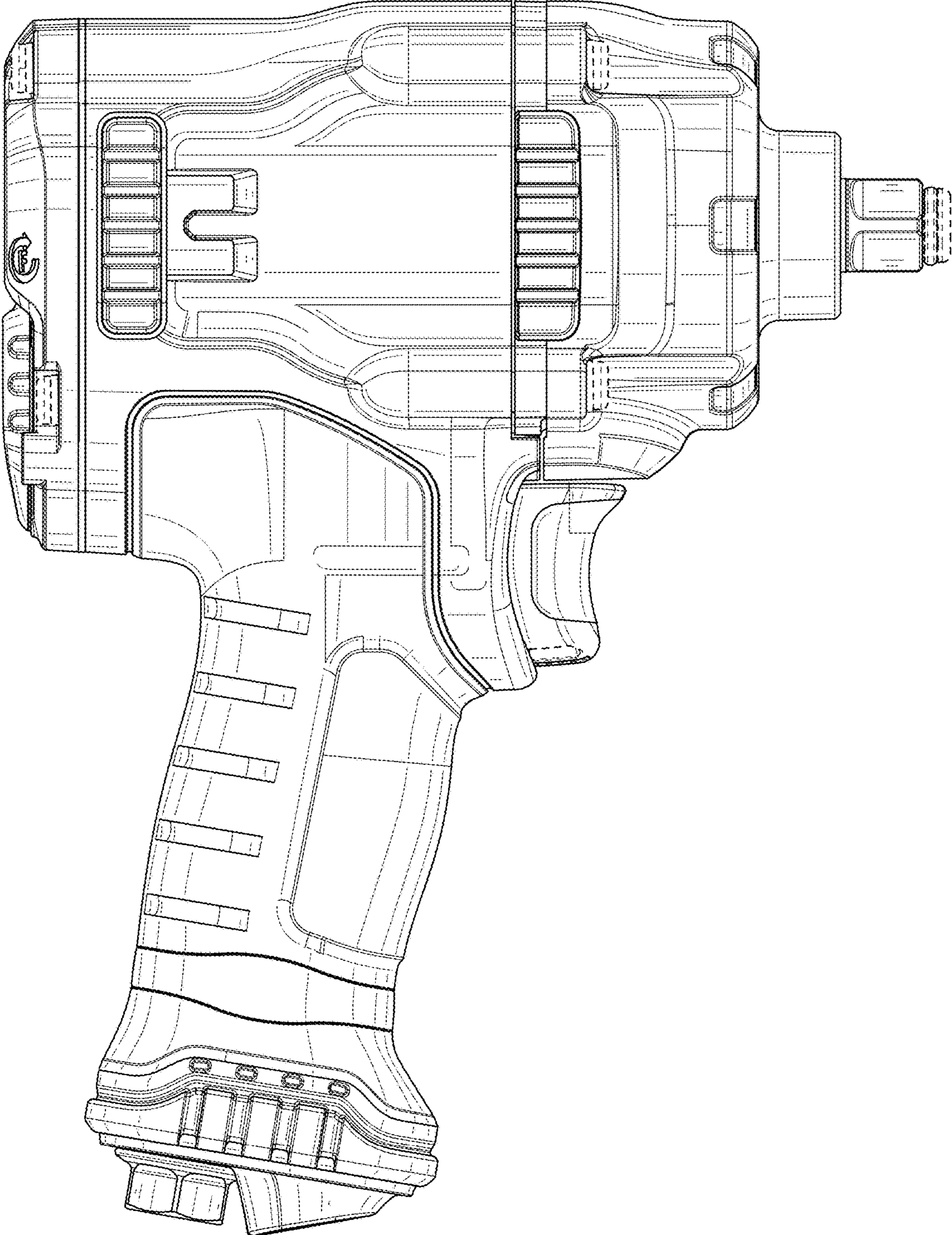


FIG. 5

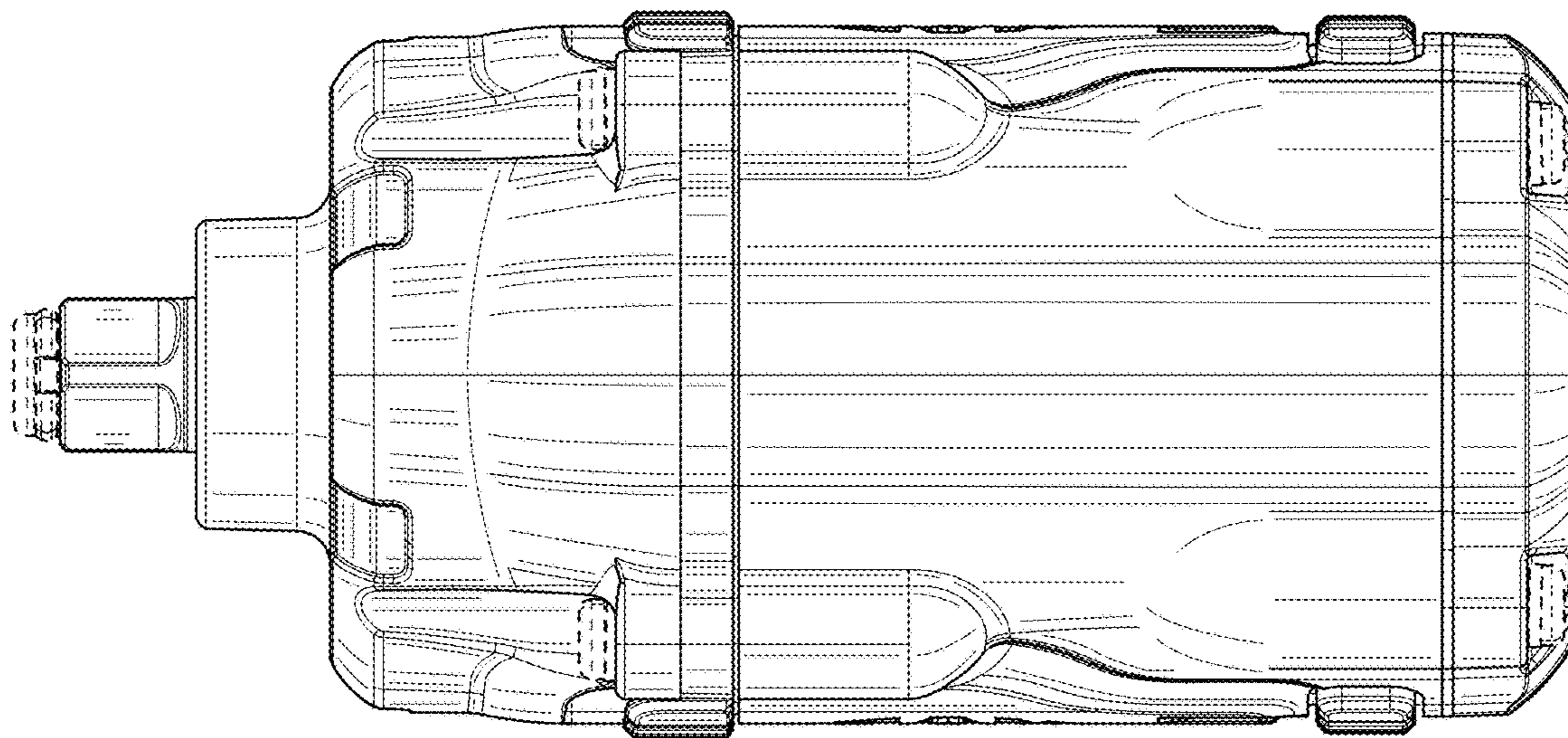


FIG. 6

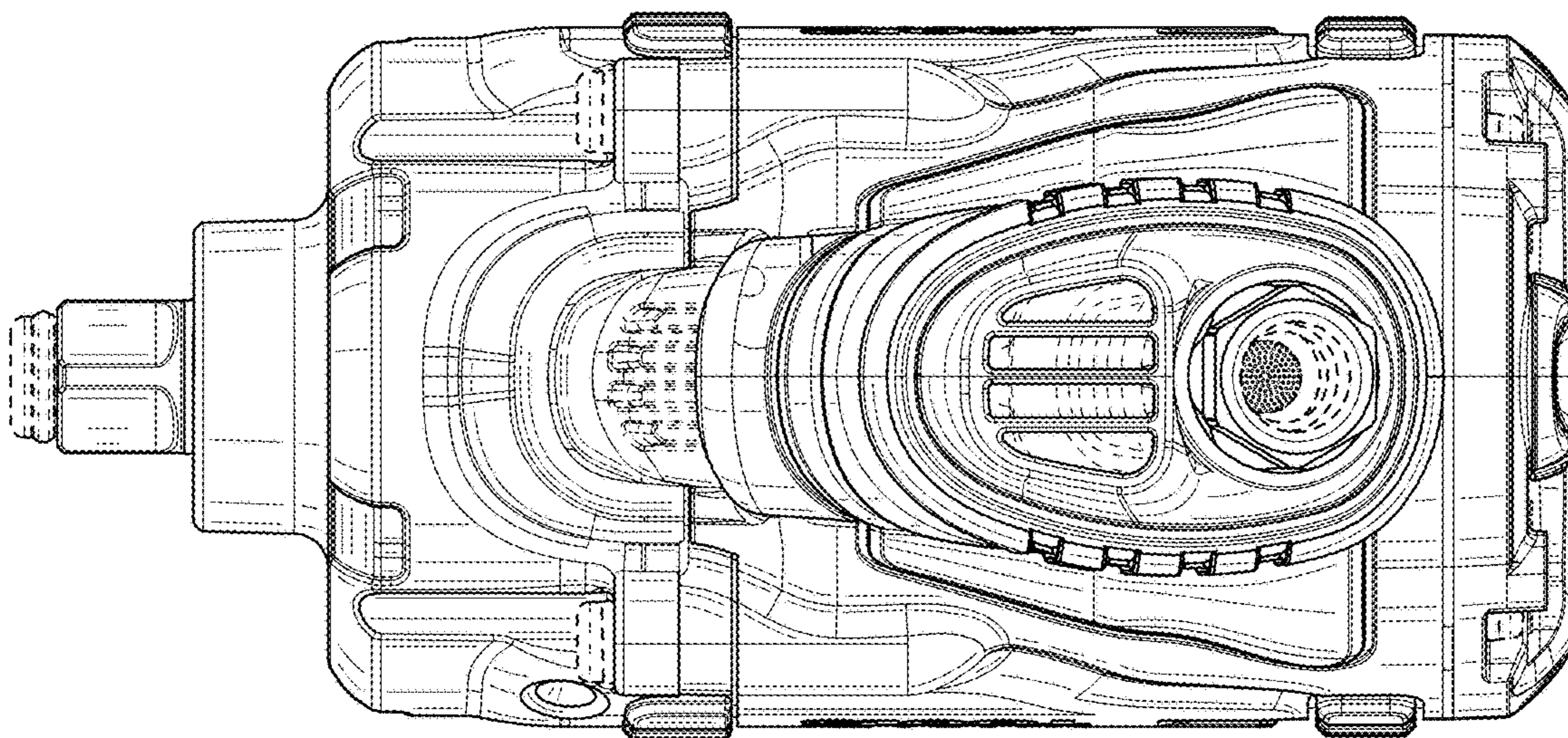


FIG. 7