



US00D871180S

(12) **United States Design Patent** (10) **Patent No.:** **US D871,180 S**
Imsand et al. (45) **Date of Patent:** **** Dec. 31, 2019**

(54) **IMPACT DRIVER**
(71) Applicant: **Stanley Black & Decker, Inc.**, New Britain, CT (US)
(72) Inventors: **Nicholas Imsand**, Huntersville, NC (US); **John Burnie**, Baltimore, MD (US)
(73) Assignee: **Stanley Black & Decker Inc.**, New Britain, CT (US)
(**) Term: **15 Years**
(21) Appl. No.: **29/629,512**
(22) Filed: **Dec. 13, 2017**

D584,123 S * 1/2009 Lopano D8/68
D585,715 S * 2/2009 Okuda D8/68
D585,716 S * 2/2009 Taniguchi D8/68
D606,376 S * 12/2009 Okuda D8/68
D610,421 S * 2/2010 Taniguchi D8/68
D614,468 S * 4/2010 Aglassinger D8/68
D617,622 S * 6/2010 Lopano D8/68
D628,038 S * 11/2010 Aoki D8/68
D656,804 S * 4/2012 Murray D8/68
D672,627 S * 12/2012 Kawase D8/61
D677,137 S * 3/2013 Kawase D8/68
D678,024 S * 3/2013 Taniguchi D8/68
D679,160 S * 4/2013 Okuda D8/68
D679,161 S * 4/2013 Kawase D8/61
D691,444 S * 10/2013 Tirone D8/68
D700,822 S * 3/2014 Tschopp D8/68
D707,522 S * 6/2014 Naksen D8/68
D721,938 S * 2/2015 Aoki D8/68
D761,069 S * 7/2016 Aoki D8/68
D777,545 S * 1/2017 Kosugi D8/68

Related U.S. Application Data

(63) Continuation of application No. 15/603,109, filed on May 23, 2017.
(51) **LOC (12) Cl.** **08-05**
(52) **U.S. Cl.**
USPC **D8/68**
(58) **Field of Classification Search**
USPC D8/61, 67, 68
CPC B62D 23/005; B62D 29/00; B62D 29/043;
B62D 31/00; B62D 33/046; B62D 35/00;
B62D 35/001; B60Q 1/0005
See application file for complete search history.

References Cited

U.S. PATENT DOCUMENTS

D524,136 S * 7/2006 Taniguchi D8/68
D525,099 S * 7/2006 Nagasaka D8/68
D556,002 S * 11/2007 Ino D8/68
D567,615 S * 4/2008 Taniguchi D8/68
D577,558 S * 9/2008 Taniguchi D8/68
D579,743 S * 11/2008 Lopano D8/68

* cited by examiner

Primary Examiner — Darlington Ly
(74) *Attorney, Agent, or Firm* — Caeden Drayton

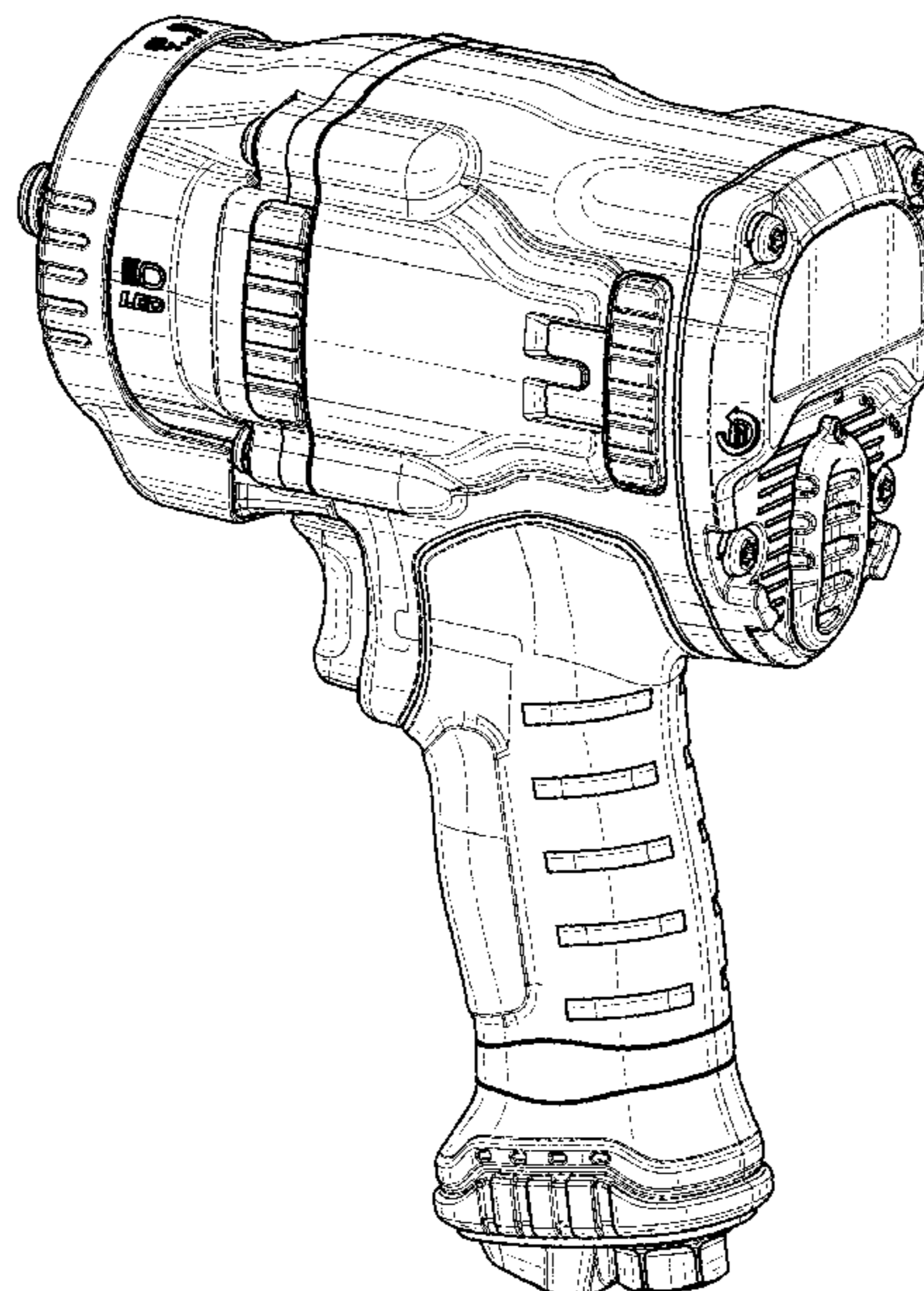
(57) **CLAIM**

The ornamental design for an impact driver, as shown and described.

DESCRIPTION

FIG. 1 is a top, rear and left perspective view of an impact driver showing our design;
FIG. 2 is a front elevation view thereof;
FIG. 3 is a rear elevation view thereof;
FIG. 4 is a left side elevation view thereof;
FIG. 5 is a right side elevation view thereof;
FIG. 6 is a top plan view thereof; and,
FIG. 7 is a bottom plan view thereof.
The broken lines in the drawings illustrate portions of the impact driver that form no part of the claimed design.

1 Claim, 5 Drawing Sheets



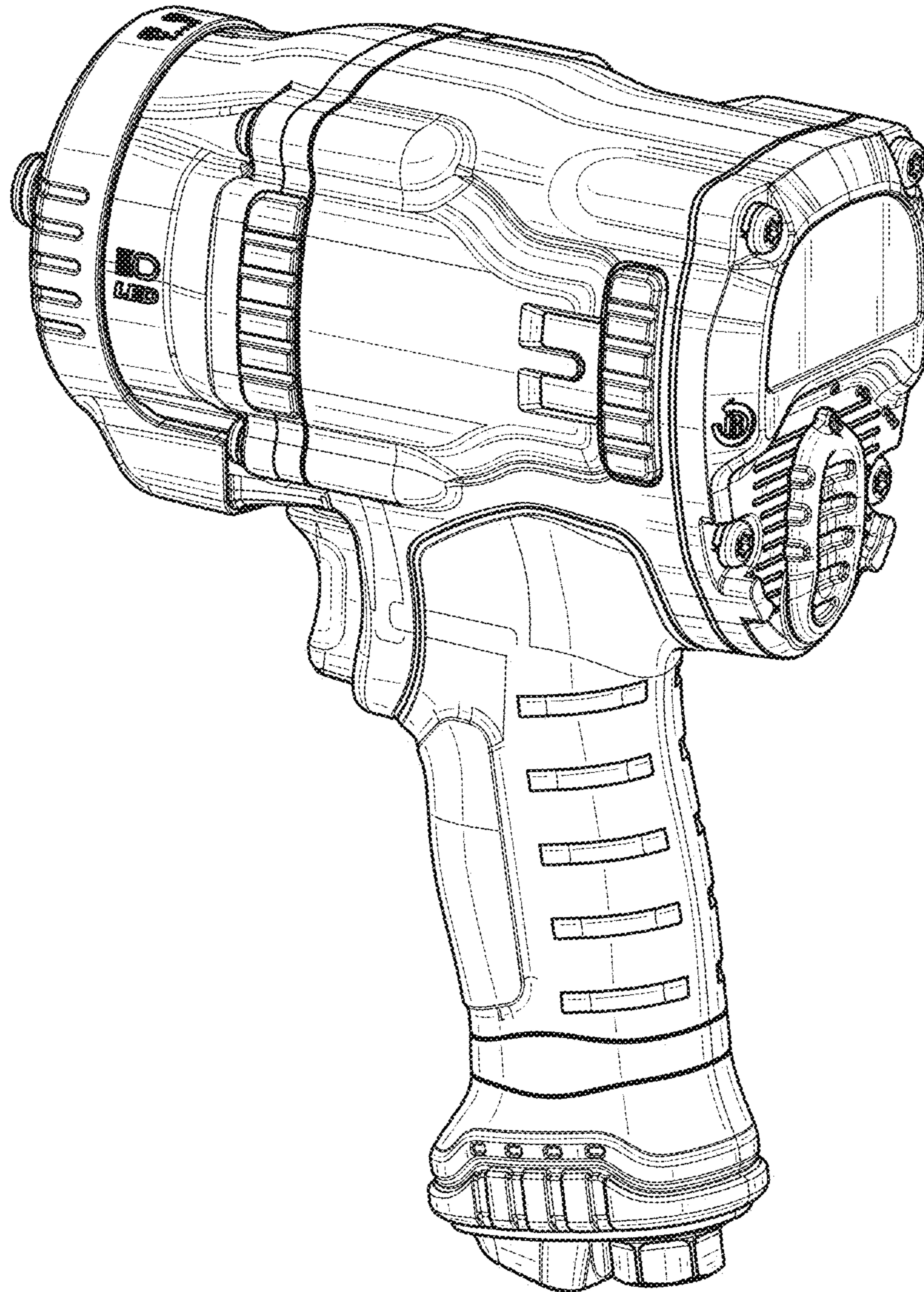


FIG. 1

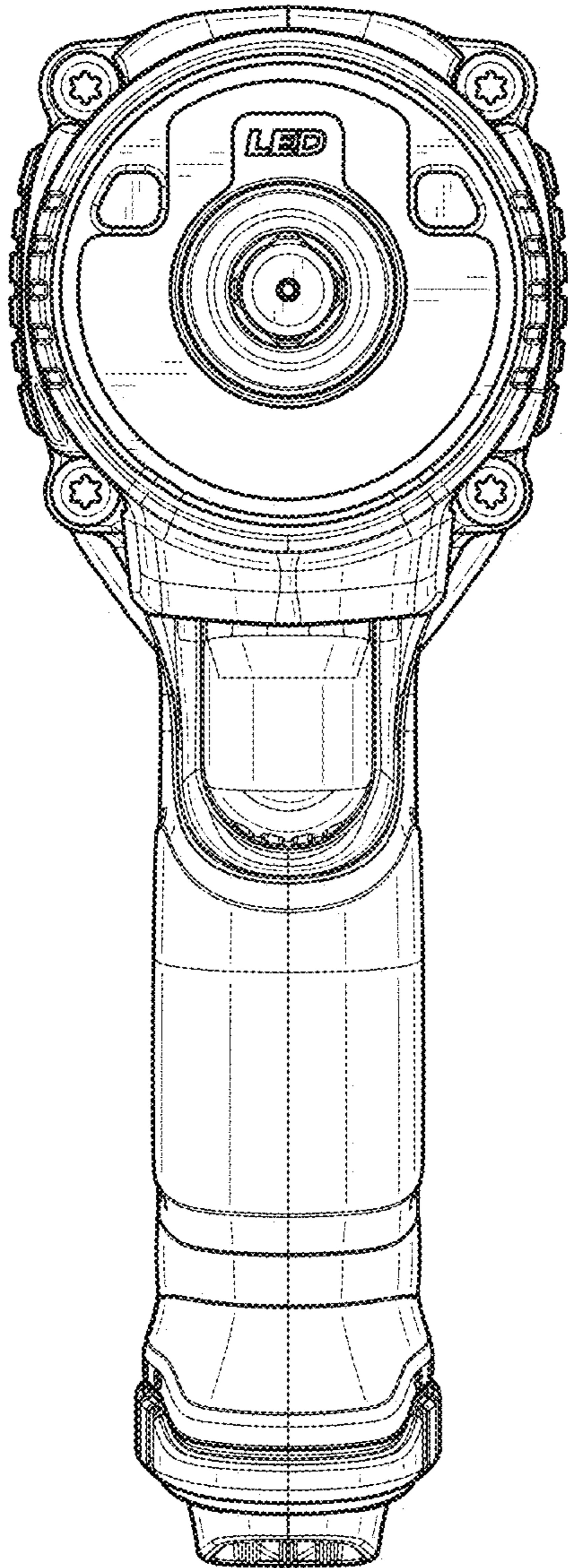


FIG. 2

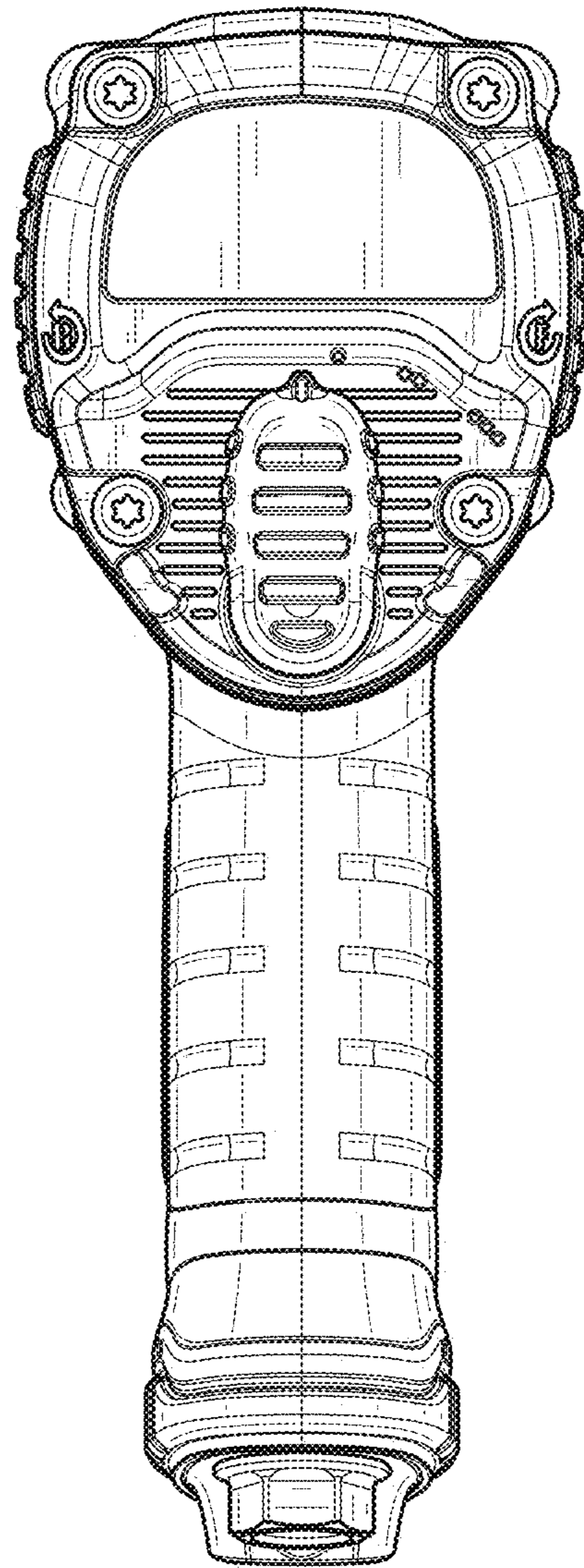


FIG. 3

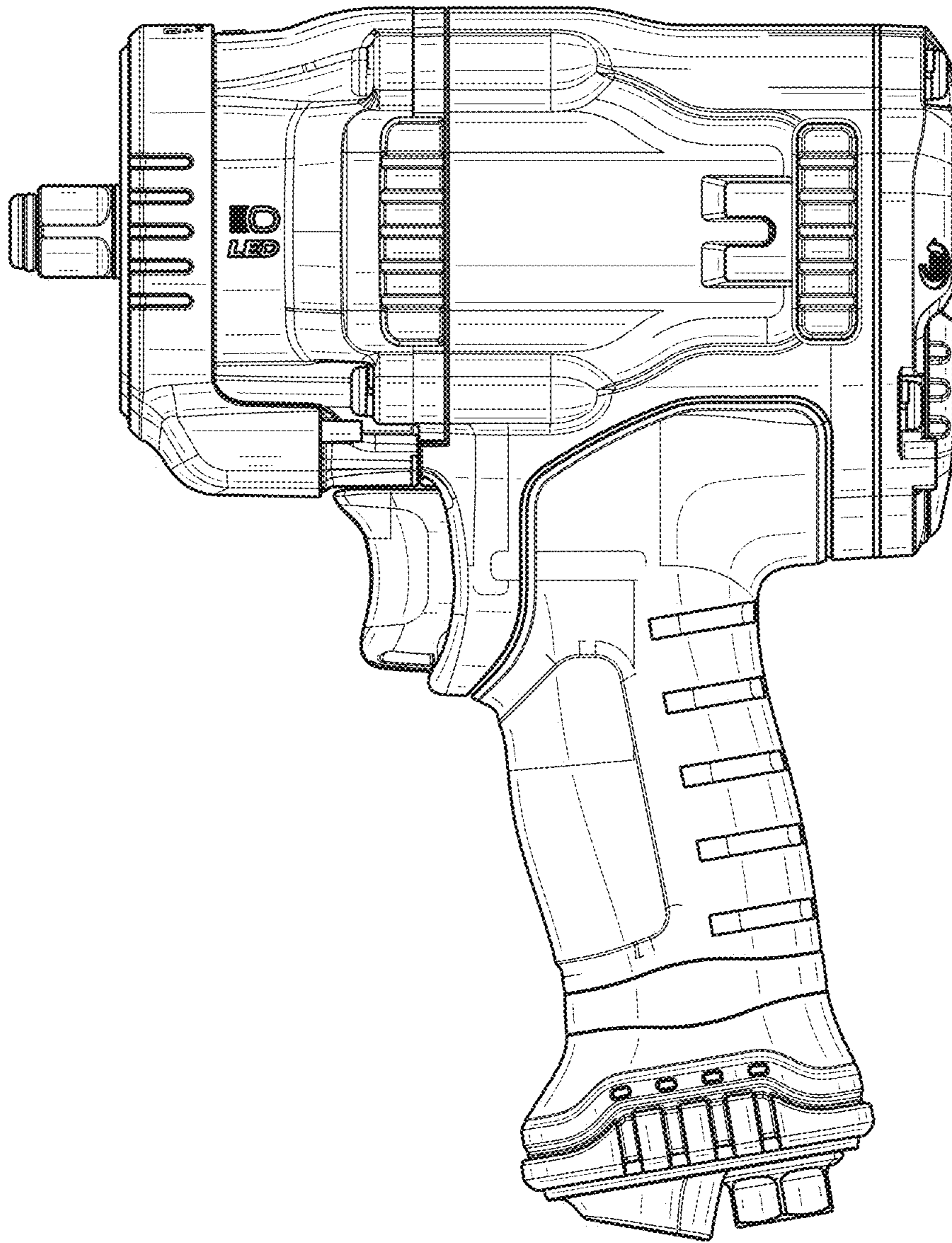


FIG. 4

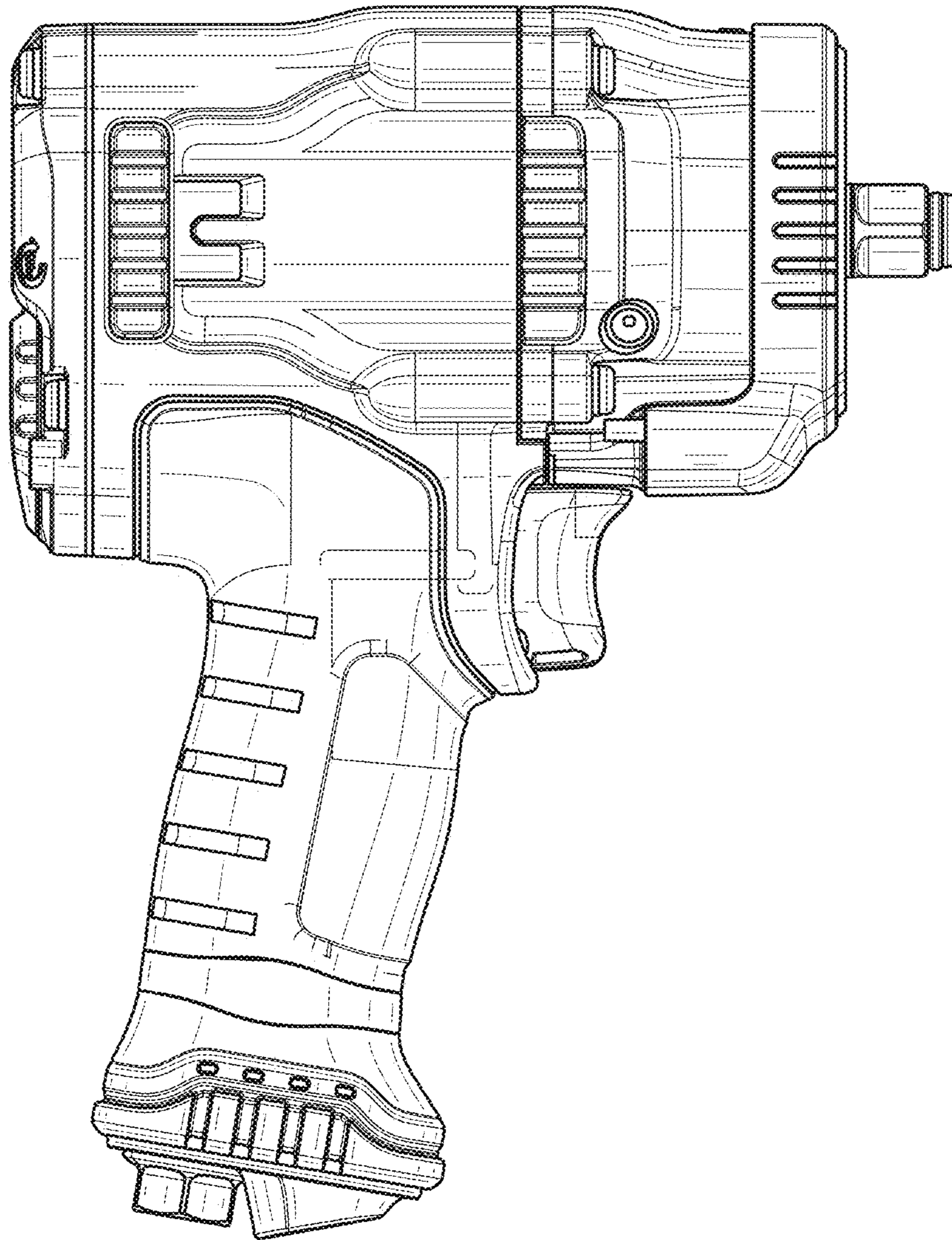


FIG. 5

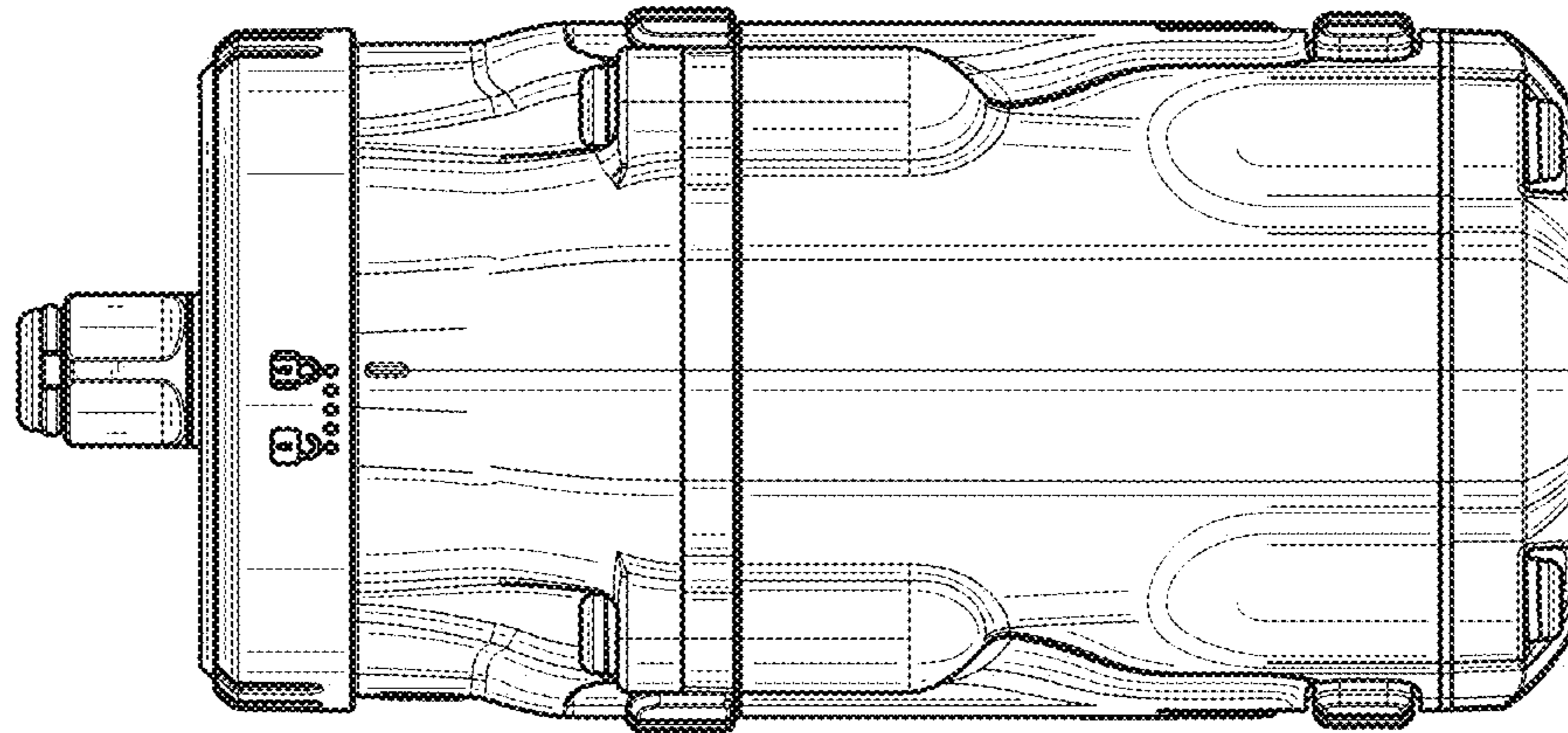


FIG. 6

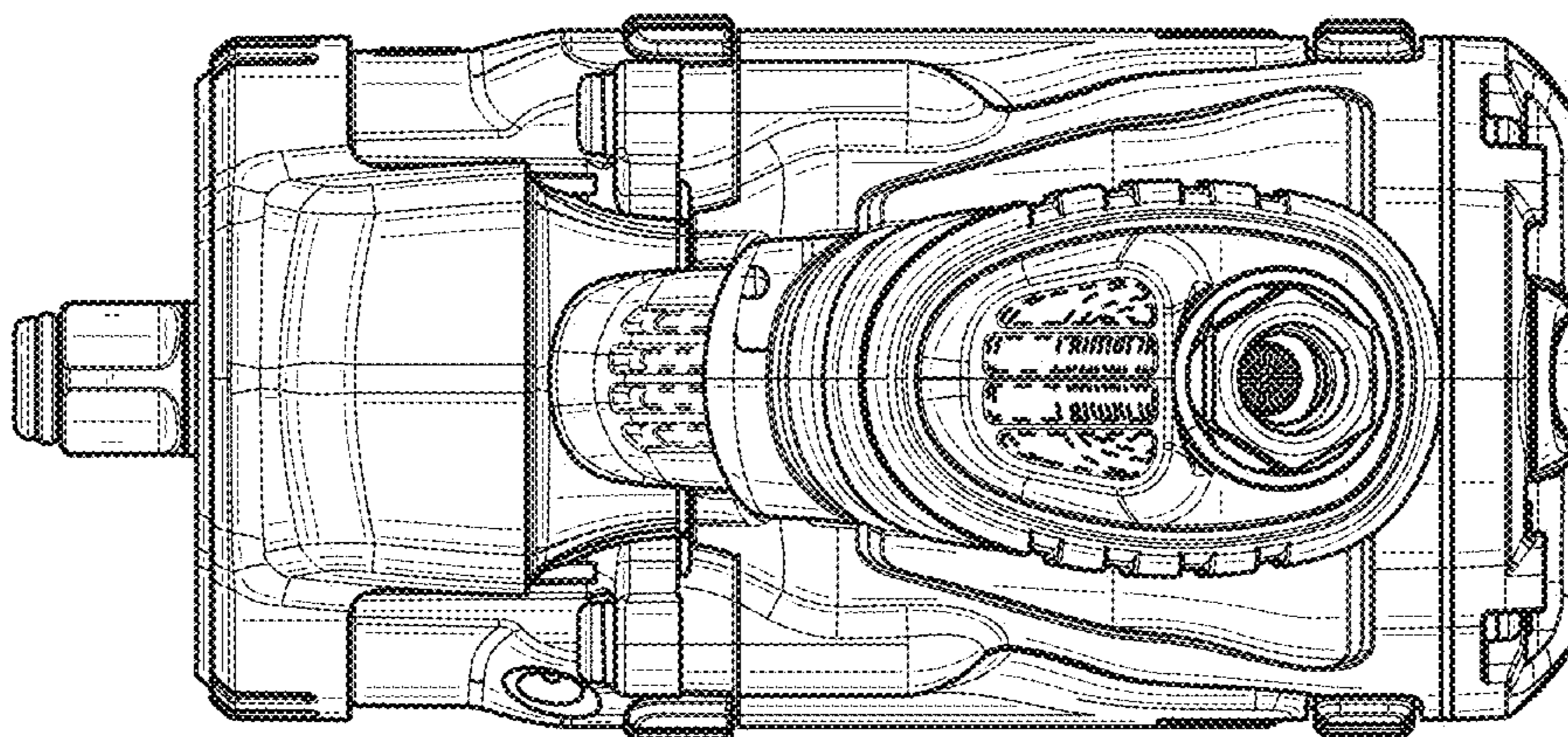


FIG. 7