

US00D871177S

(12) **United States Design Patent**
Pentland

(10) **Patent No.:** **US D871,177 S**

(45) **Date of Patent:** **** Dec. 31, 2019**

(54) **PLUNGER FOR DRYWALL COMPOUND APPLICATOR**

(71) Applicant: **Ingersoll Products Inc.**, Ingersoll (CA)

(72) Inventor: **Jamie Pentland**, London (CA)

(73) Assignee: **Ingersoll Products Inc.**, Ingersoll (CA)

(**) Term: **15 Years**

(21) Appl. No.: **29/619,956**

(22) Filed: **Oct. 3, 2017**

(51) **LOC (12) Cl.** **08-05**

(52) **U.S. Cl.**
USPC **D8/45**

(58) **Field of Classification Search**
USPC D3/202, 203.1, 203.2, 318; D7/300, D7/300.1, 316, 317, 323, 354, 387, 391, D7/392, 392.1, 396.1, 396.2, 397, 398, D7/503, 509, 510, 511, 523, 526-531, D7/538, 566, 568, 600.1, 602, 603, 614, D7/619.1, 629, 704, 900; D8/14, 14.1, D8/45; D9/434, 435, 440, 447, 452, 453, D9/499, 516, 529, 686, 723; D15/138, D15/143; D23/259, 260, 261; D24/121, D24/127, 199, 224

CPC B65D 2517/5091; B65D 41/04; B65D 23/12; B65D 1/0246; B65D 47/265; B65D 47/065; B65D 51/24; B65D 51/224; B65D 51/245; B65D 2101/0015; B65D 2251/0093; B65D 85/72; B65D 21/0228; B65D 41/3447; B65D 1/02; A61L 9/12; A47G 19/22; A47G 19/2205; A47G 19/2222; A47G 19/2266; A47G 19/2272; A47G 19/2294; A47J 43/27; B05B 7/2437; B05C 17/00576; E03F 5/02; A01M 1/02; A01M 1/04; A01M 1/106; E05B 7/2437

See application file for complete search history.

(56) **References Cited**

U.S. PATENT DOCUMENTS

| | | | | | | |
|-----------|---|---|---------|--------------|-------|-------------|
| D128,058 | S | * | 7/1941 | Shultz | | D9/452 |
| 3,020,659 | A | * | 2/1962 | Paulini | | B65D 47/265 |
| | | | | | | 40/307 |
| D196,082 | S | * | 8/1963 | Stull | | D9/453 |
| D209,788 | S | * | 1/1968 | Cheladze | | D9/452 |
| D220,753 | S | * | 5/1971 | Zundel | | D9/447 |
| D259,403 | S | * | 6/1981 | Frazier, Jr. | | 220/254.3 |
| 4,402,433 | A | * | 9/1983 | Webinger | | B65D 47/265 |
| | | | | | | 222/485 |
| 4,549,693 | A | * | 10/1985 | Barlics | | A61L 9/12 |
| | | | | | | 206/0.5 |

(Continued)

OTHER PUBLICATIONS

Pro Drywall Joint Compound Mud Gun Applicator: Site Viisited [Jun. 18, 2019]. Available from Internet URL: <https://www.homehardware.ca/en/pro-drywall-joint-compound-mudgun-applicator/p/1078519>.*

(Continued)

Primary Examiner — Jennifer Rivard

Assistant Examiner — Catherine S Posthauer

(74) *Attorney, Agent, or Firm* — Rideout & Maybee LLP

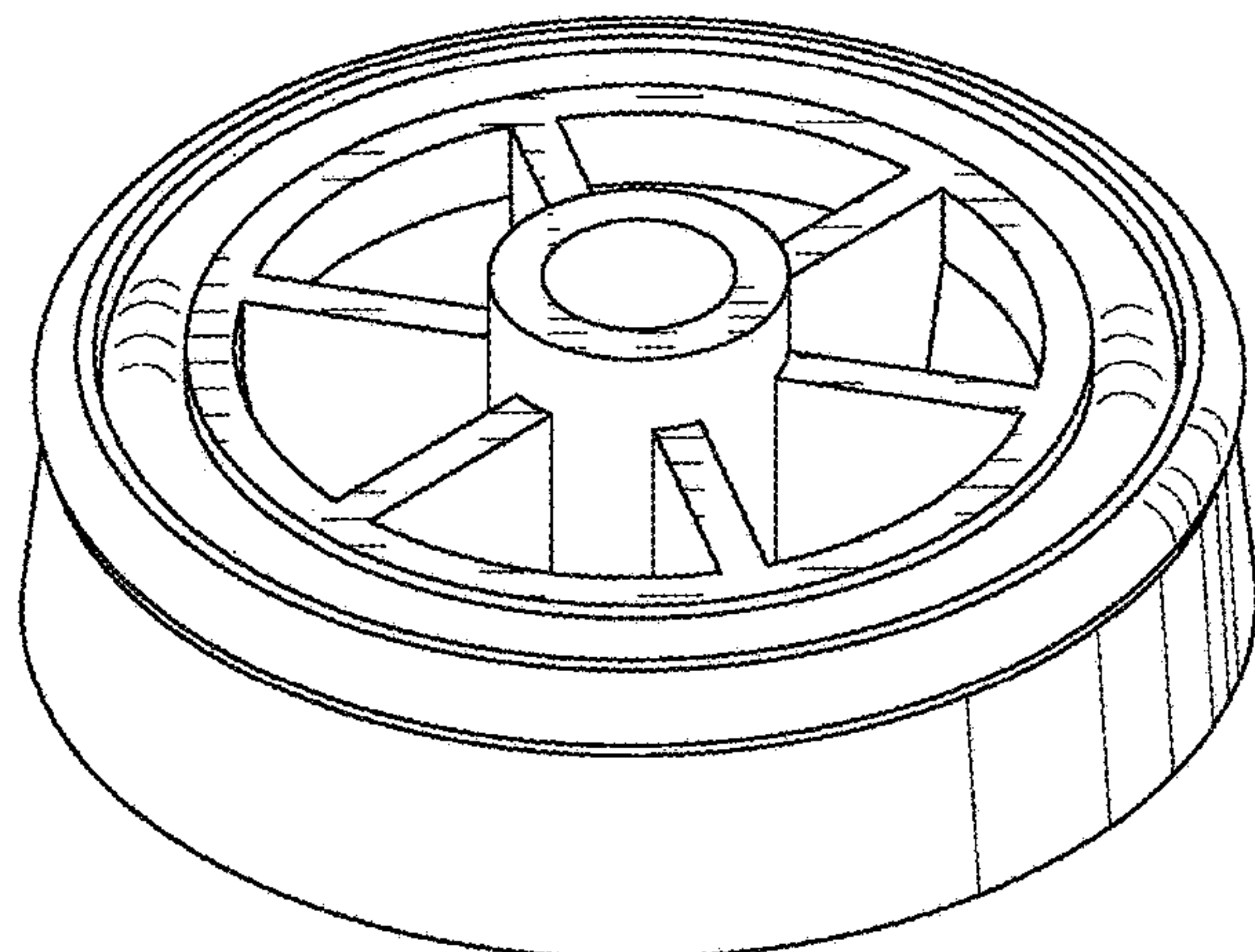
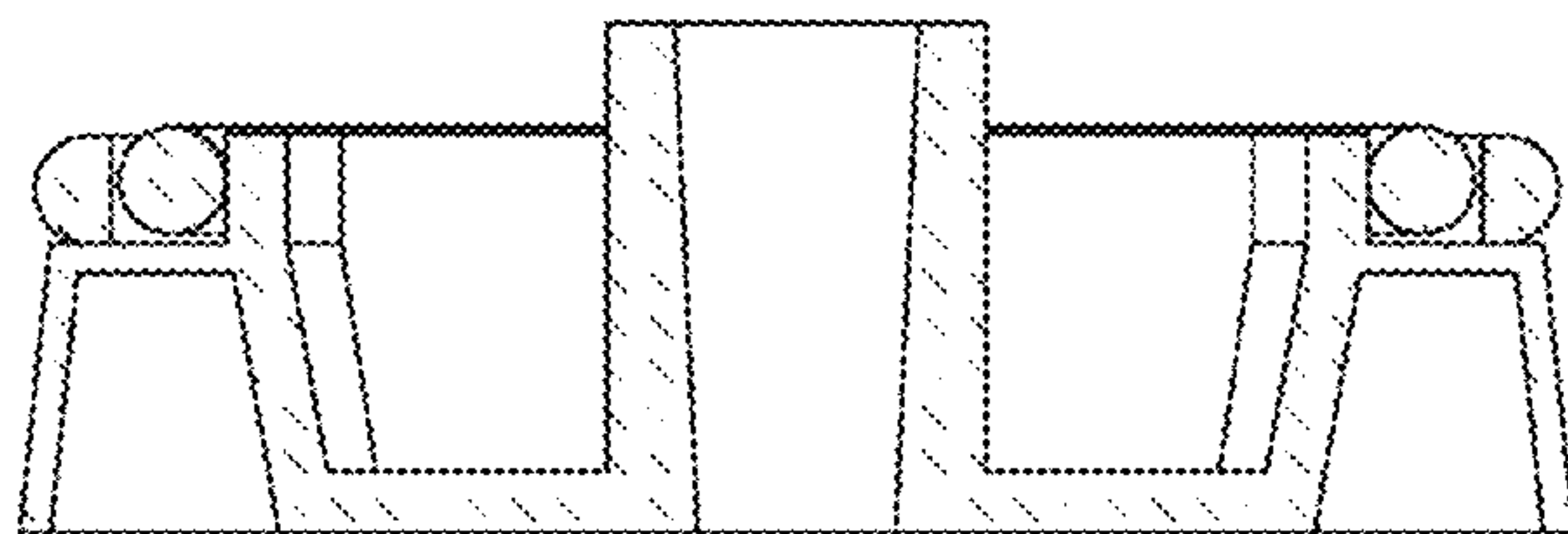
(57) **CLAIM**

The ornamental design for a plunger for drywall compound applicator, as shown and described.

DESCRIPTION

FIG. 1 is a top plan view of a plunger for drywall compound applicator showing our new design;
FIG. 2 is a side elevational view thereof.
FIG. 3 is a cross sectional view thereof, taken in the direction of line 1-1 on FIG. 1;
FIG. 4 is a bottom plan view thereof; and,
FIG. 5 is a top perspective view thereof.

(Continued)



The dot-dash lines on FIG. 1 represent the direction from which the cross sectional view of FIG. 3 has been taken and form no part of the claimed design.

1 Claim, 3 Drawing Sheets

(56)

References Cited

U.S. PATENT DOCUMENTS

| | | | |
|---------------|---------|------------------|----------------------|
| D307,115 S * | 4/1990 | Waymack | D9/447 |
| 4,951,914 A * | 8/1990 | Meyers | E03F 5/02 220/3.4 |
| D341,779 S * | 11/1993 | Lewis | D9/435 |
| D391,276 S * | 2/1998 | Roth | D15/138 |
| D432,916 S * | 10/2000 | Drinkwater | D18/43 |
| D461,233 S * | 8/2002 | Whalen | D23/261 |
| D528,417 S * | 9/2006 | Matsuda | D9/439 |
| D600,120 S * | 9/2009 | Kawamura | D9/452 |
| D616,090 S * | 5/2010 | Kawamura | D24/127 |
| D654,152 S * | 2/2012 | Schulz | D23/260 |
| D710,198 S * | 8/2014 | Blowfield | D9/445 |
| D718,844 S * | 12/2014 | Johansen | D23/261 |
| D726,886 S * | 4/2015 | Sutherland | D23/261 |
| D751,394 S * | 3/2016 | Chartier | D9/440 |

| | | | |
|-------------------|---------|-------------------|--------------------------|
| D775,952 S * | 1/2017 | Kim | D9/452 |
| D796,326 S * | 9/2017 | Ichikawa | D9/434 |
| D807,175 S * | 1/2018 | Moody | D9/452 |
| D829,065 S * | 9/2018 | Marantis | D7/700 |
| D838,361 S * | 1/2019 | Jenkins | D24/121 |
| D842,698 S * | 3/2019 | Moriyama | D9/453 |
| 2008/0083789 A1 * | 4/2008 | Brugner | B05C 17/00576 222/386 |
| 2010/0237094 A1 * | 9/2010 | Benjamin, II | B05C 17/00576 222/1 |
| 2015/0321142 A1 * | 11/2015 | Lebon | B01D 53/0415 220/608 |
| 2017/0173540 A1 * | 6/2017 | Roaks | A47J 43/27 |
| 2019/0075973 A1 * | 3/2019 | Charleson | A47J 43/27 |

OTHER PUBLICATIONS

Green Double Plunger Kit: Announced [Mar. 14, 2019]. Site Visited [Jul. 19, 2019]. Available from Internet URL: <https://pasco.net.au/products/application-equipment/gun-parts/green-double-plunger-kit/>.*

Tube Closure: Site Visited [Jul. 19, 2019]. Available from Internet URL: <https://www.galvinhw.com.au/grace2/product.php?pid=1662>.*

* cited by examiner

FIG. 1

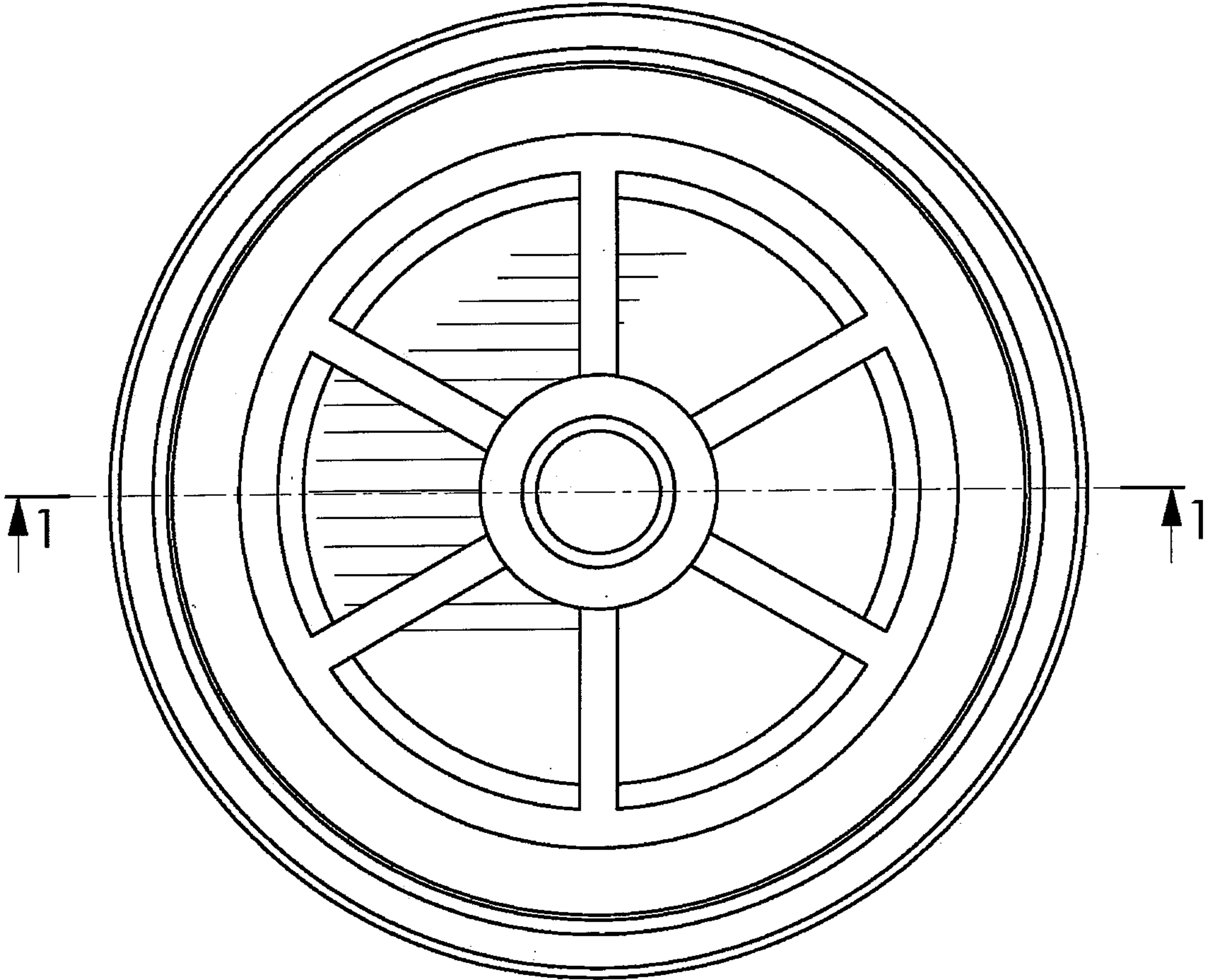


FIG. 2

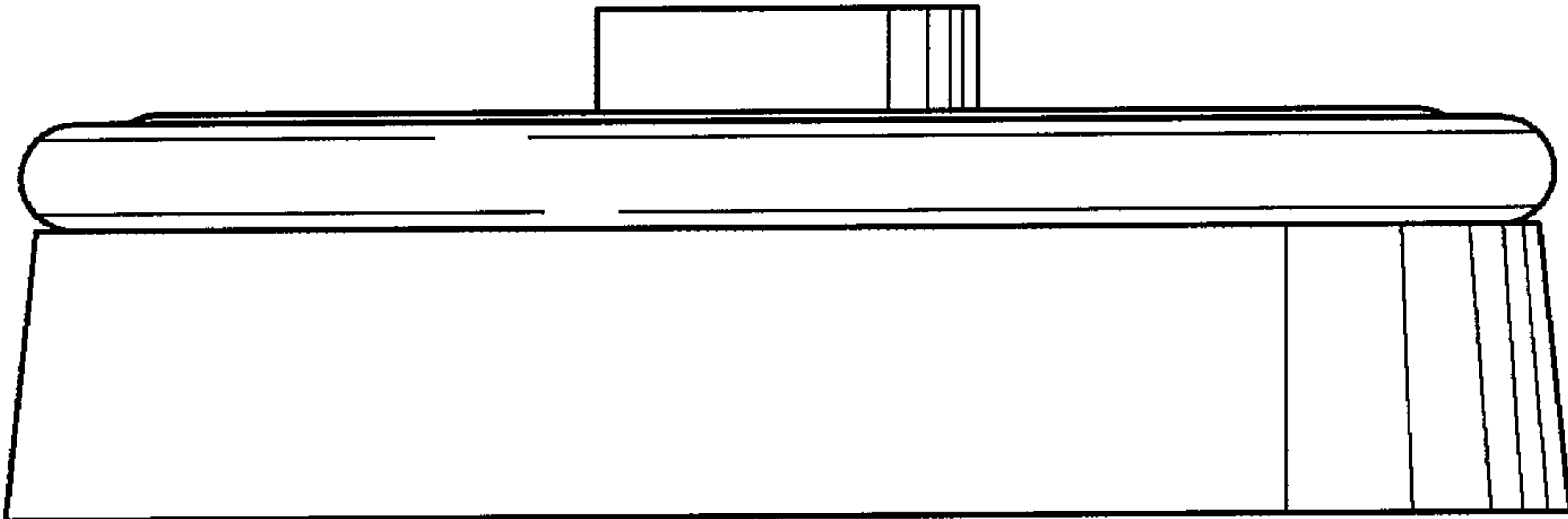


FIG. 3

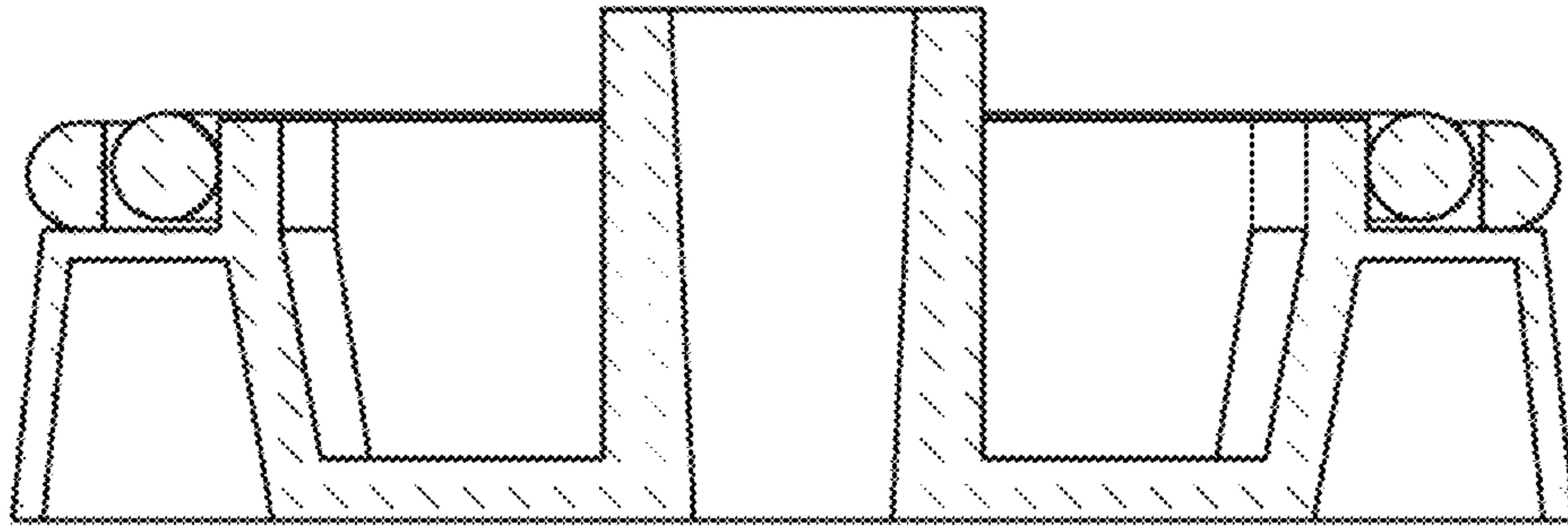


FIG. 4

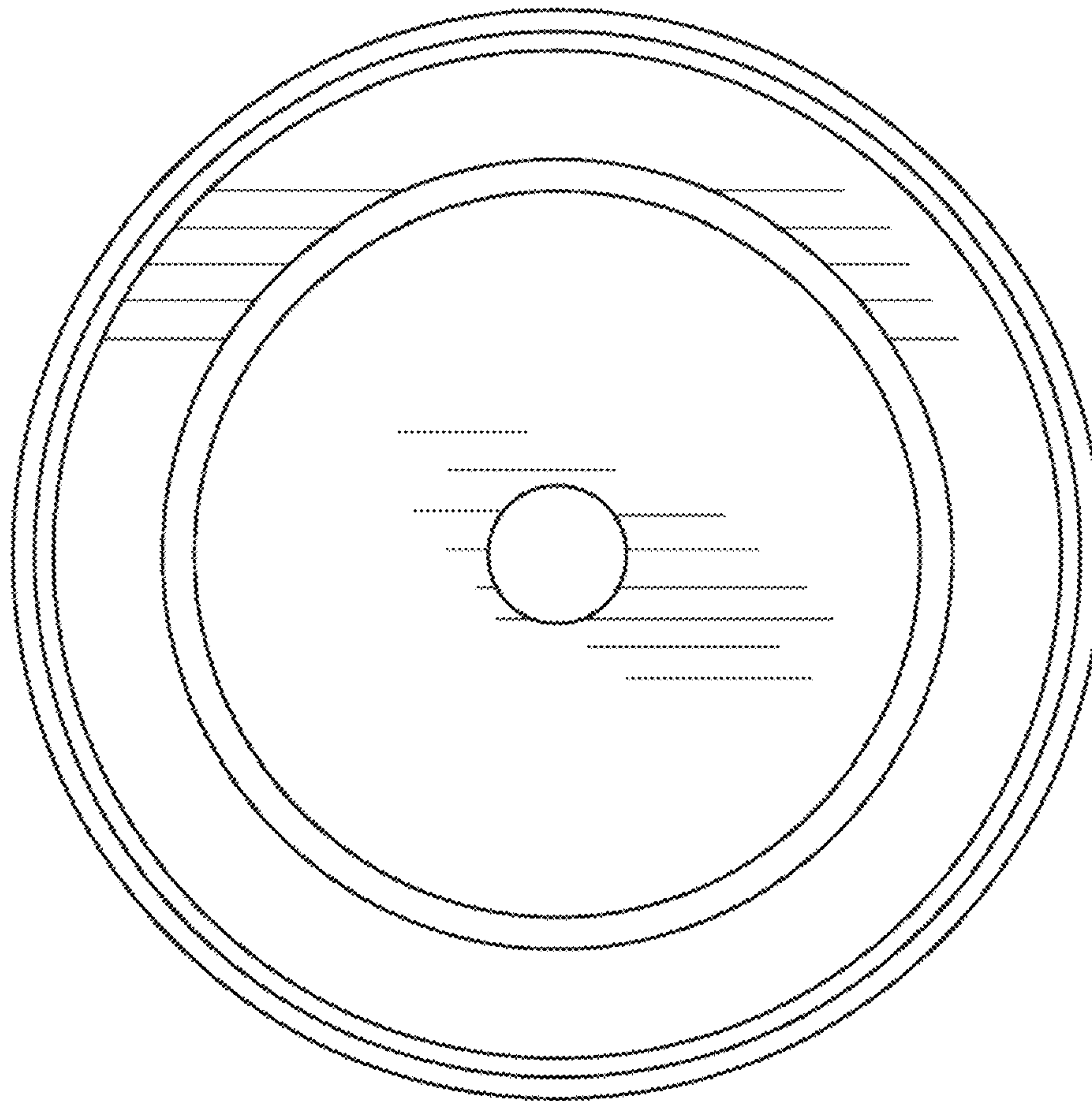


FIG. 5

