



US00D871176S

(12) **United States Design Patent** (10) **Patent No.:** **US D871,176 S**
Diers (45) **Date of Patent:** **** Dec. 31, 2019**

(54) **DISPENSER** 6,062,857 A * 5/2000 Oppawsky B05C 17/01
 222/137
 (71) Applicant: **Timothy Robert Diers**, Naples, FL D453,452 S * 2/2002 Schmid D8/14.1
 (US) 6,554,161 B2 4/2003 Main
 6,585,696 B2 * 7/2003 Petersen A61B 17/00491
 222/391
 (72) Inventor: **Timothy Robert Diers**, Naples, FL 6,929,157 B2 * 8/2005 Orecchia B05C 17/00593
 (US) 222/326
 7,121,054 B2 10/2006 Shock
 (73) Assignee: **ABACOCAY, LLC**, Naples, FL (US) D660,105 S * 5/2012 Brummitt D8/14.1
 8,650,829 B2 2/2014 Clarke et al.
 (**) Term: **15 Years** 8,672,193 B2 * 3/2014 Vukic A61C 5/64
 222/137

(Continued)

(21) Appl. No.: **29/638,320**

(22) Filed: **Feb. 26, 2018**

(51) **LOC (12) Cl.** **08-05**

(52) **U.S. Cl.**
USPC **D8/14.1**

(58) **Field of Classification Search**
USPC D8/14.1, 51; D24/112, 113
CPC B05C 17/0103; B05C 17/00553; B05C
17/00576; B05C 17/01; B05C 13/0126;
B65D 83/0033; B65D 83/0005
See application file for complete search history.

(56) **References Cited**

U.S. PATENT DOCUMENTS

3,188,057 A	6/1965	Trumbull	
4,081,112 A	3/1978	Chang	
4,264,021 A	4/1981	Davis	
4,406,107 A	9/1983	Schoonbeck	
4,432,473 A	2/1984	MacEwen	
4,907,727 A	3/1990	Ernst et al.	
5,097,987 A	3/1992	Liberatore	
5,408,919 A	4/1995	Hutzler et al.	
D359,560 S *	6/1995	Mitchell	D24/143
5,595,327 A	1/1997	Dentler et al.	
D383,839 S *	9/1997	Sullivan	D24/112
5,692,642 A	12/1997	Brattesani	
D403,933 S *	1/1999	Strong	D8/14.1
6,047,864 A *	4/2000	Winkler	B05C 17/00506 222/326

OTHER PUBLICATIONS

Amazon.com search results for "Red Devil 0658 Patch-A-Wall Spackling Paste" and related items (46 pages).

Primary Examiner — Philip S Hyder
(74) *Attorney, Agent, or Firm* — John E. Boyd;
FisherBroyles LLP

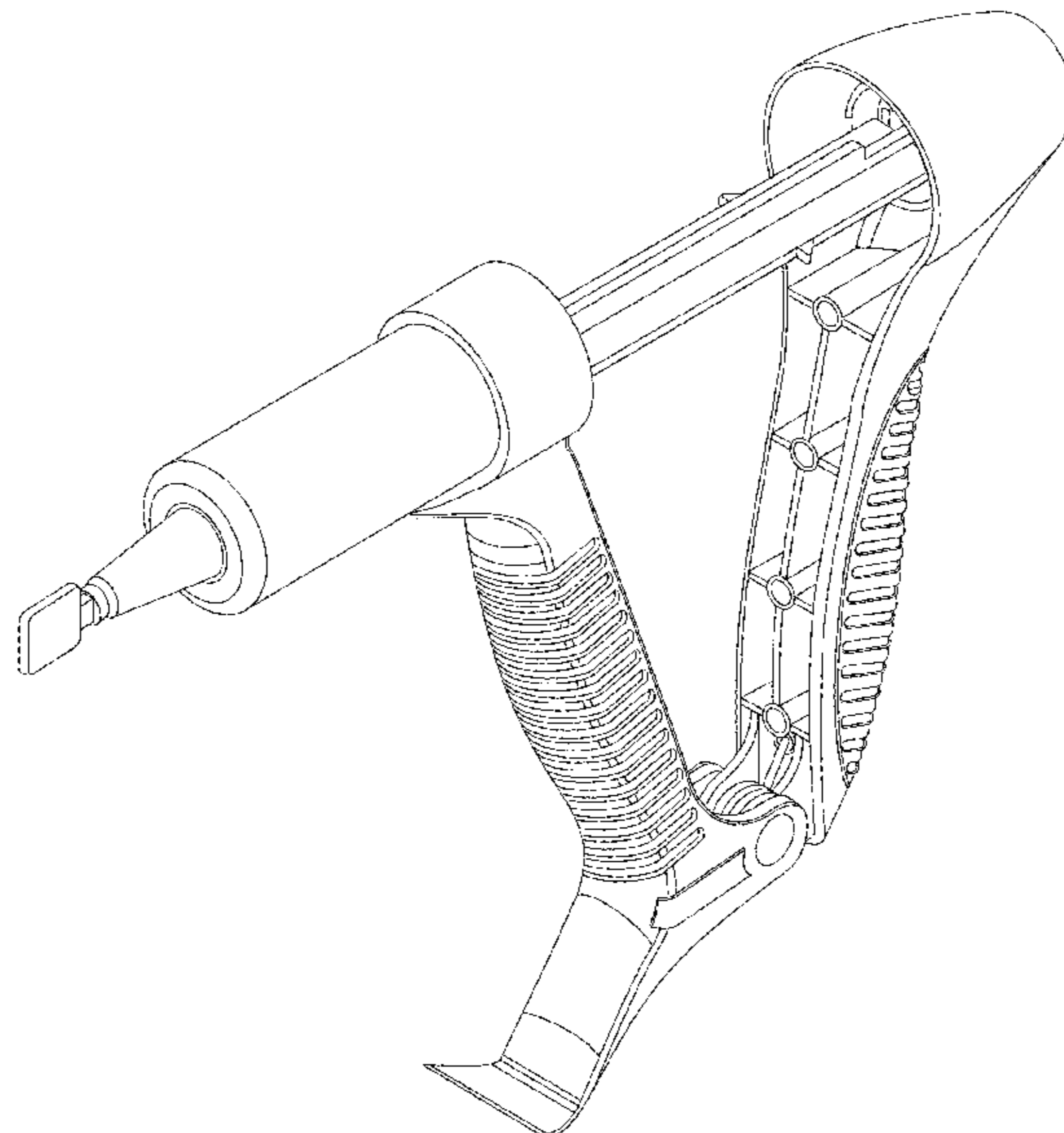
(57) **CLAIM**

The ornamental design for a dispenser, as shown and described.

DESCRIPTION

FIG. 1 is a front perspective view of a dispenser, showing the new design;
 FIG. 2 is a rear perspective view thereof;
 FIG. 3 is a right side elevation view thereof;
 FIG. 4 is a left side elevation view thereof;
 FIG. 5 is a front elevation view thereof;
 FIG. 6 is a rear elevation view thereof;
 FIG. 7 is a top plan view thereof; and,
 FIG. 8 is a bottom plan view thereof.
 The broken lines in the drawings depict environmental subject matter only and form no part of the claimed design.

1 Claim, 5 Drawing Sheets



(56)

References Cited

U.S. PATENT DOCUMENTS

8,776,470	B2	7/2014	Karam et al.	
8,991,128	B2	3/2015	James	
D760,382	S *	6/2016	Eisele	D24/113
D768,848	S *	10/2016	Cooper	D24/113
2005/0023301	A1	2/2005	Rumrill et al.	
2006/0091157	A1	5/2006	Nomula	
2014/0260046	A1	9/2014	Baynham	
2016/0074282	A1 *	3/2016	Wong	A61J 1/22 222/1
2016/0243581	A1	8/2016	Clemens	

* cited by examiner

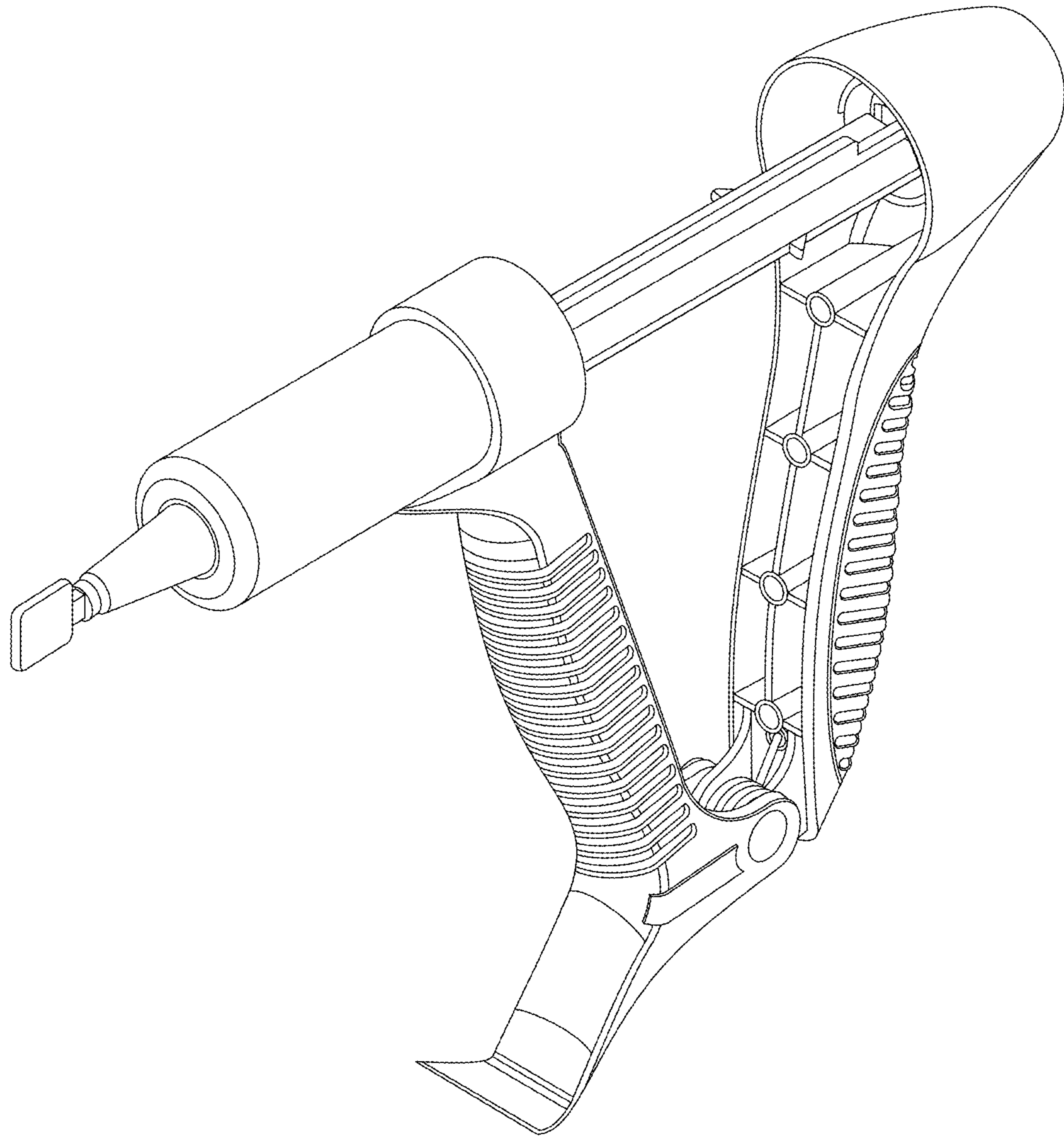


FIG. 1

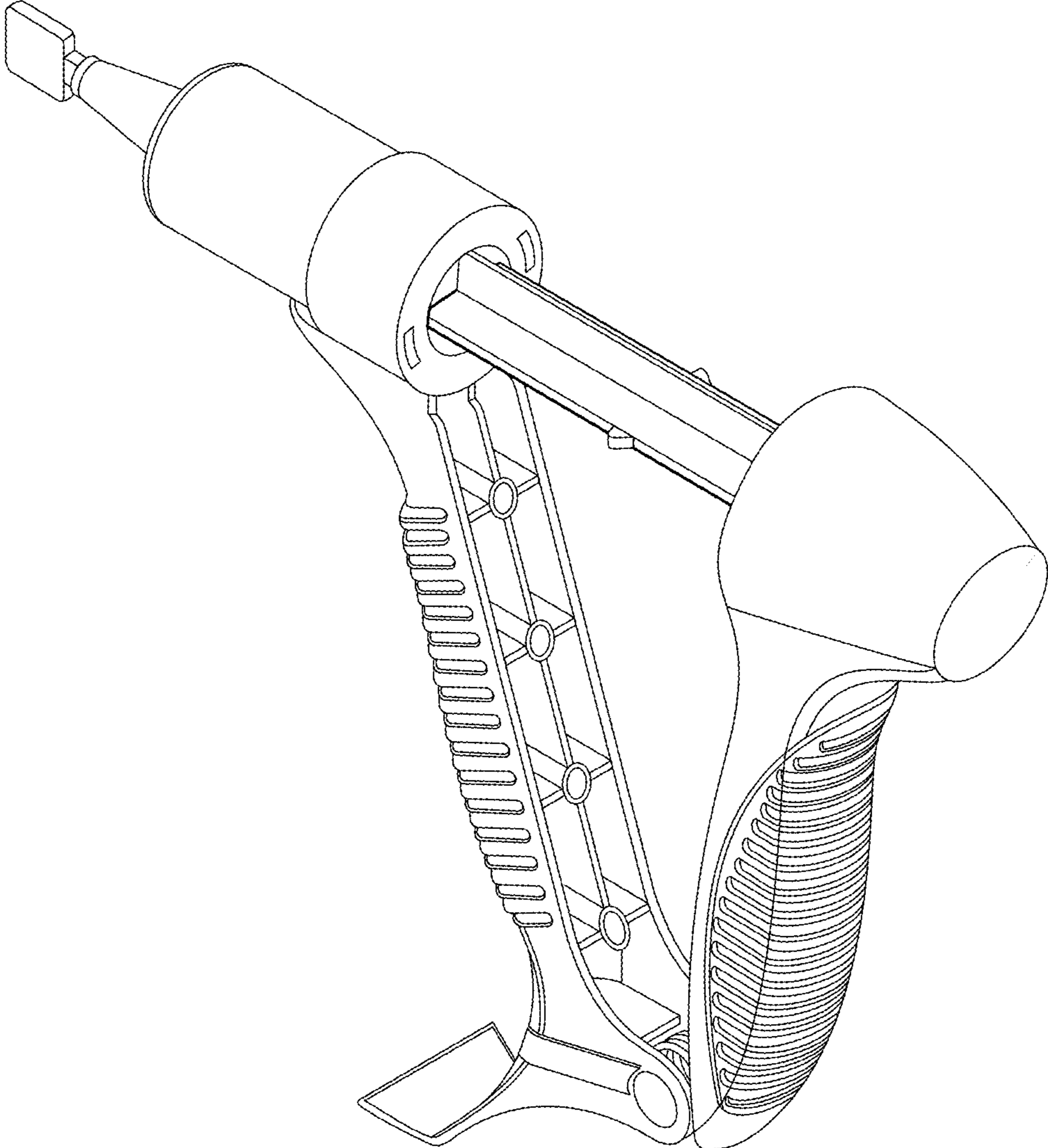


FIG. 2

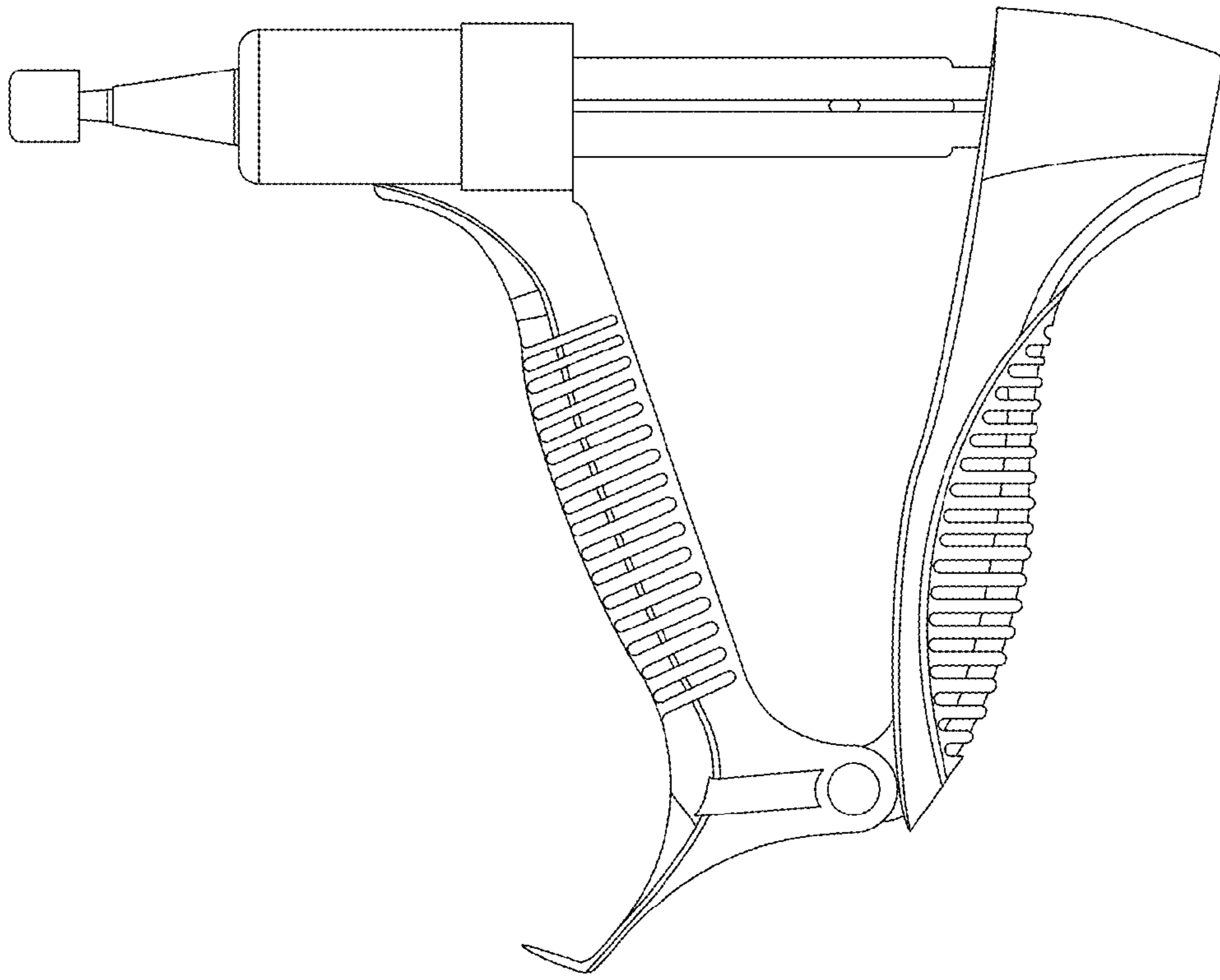


FIG. 3

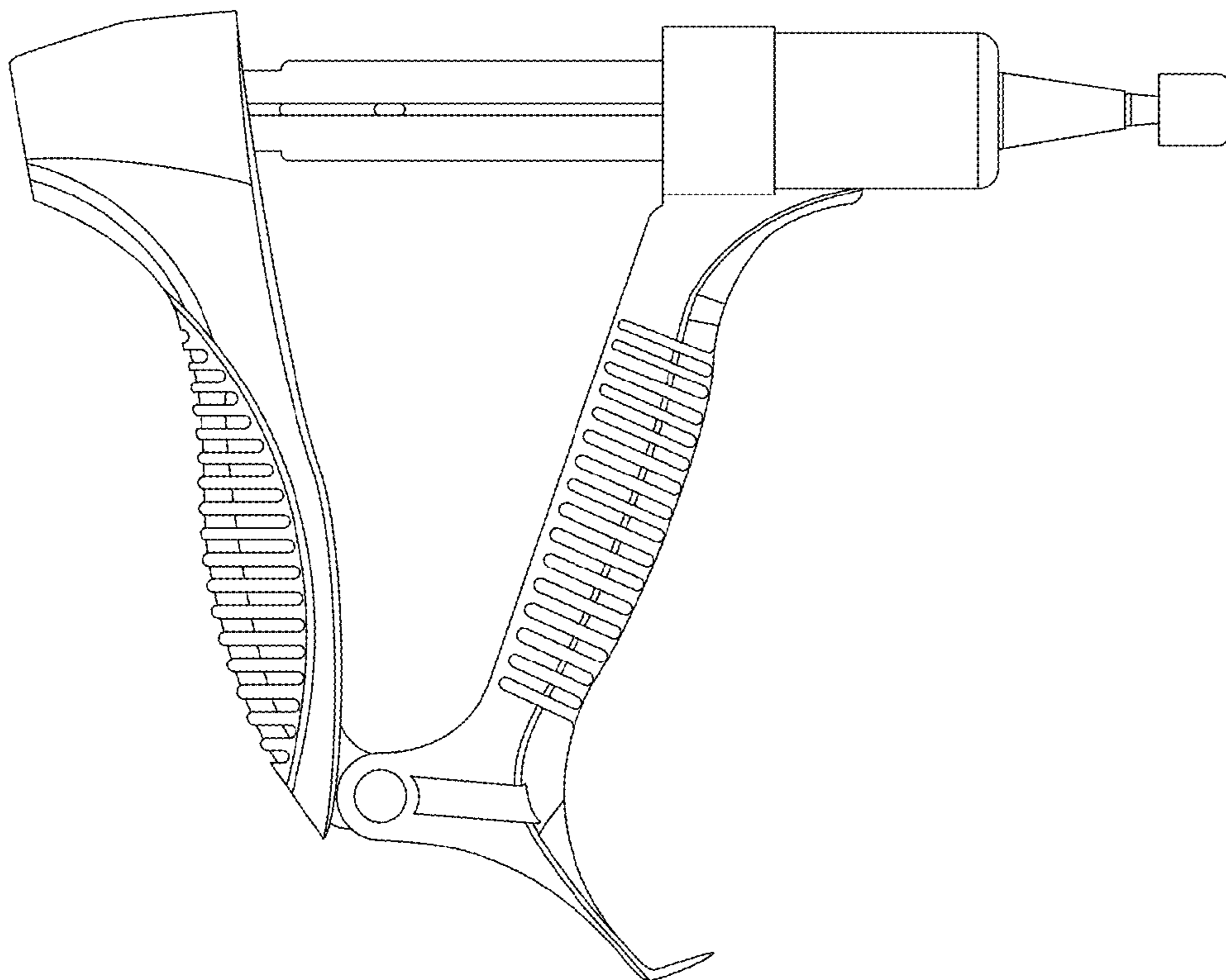


FIG. 4

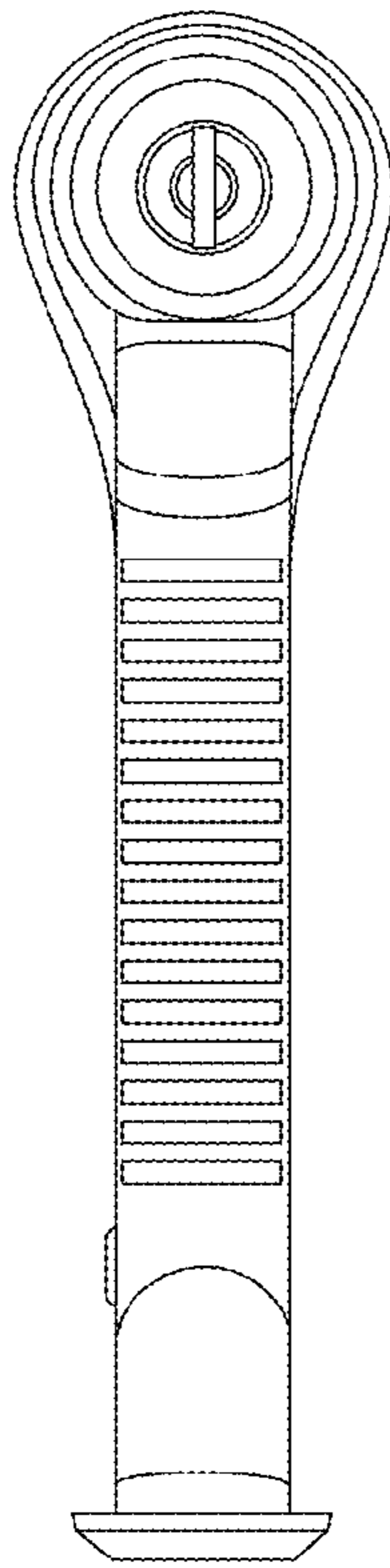


FIG. 5

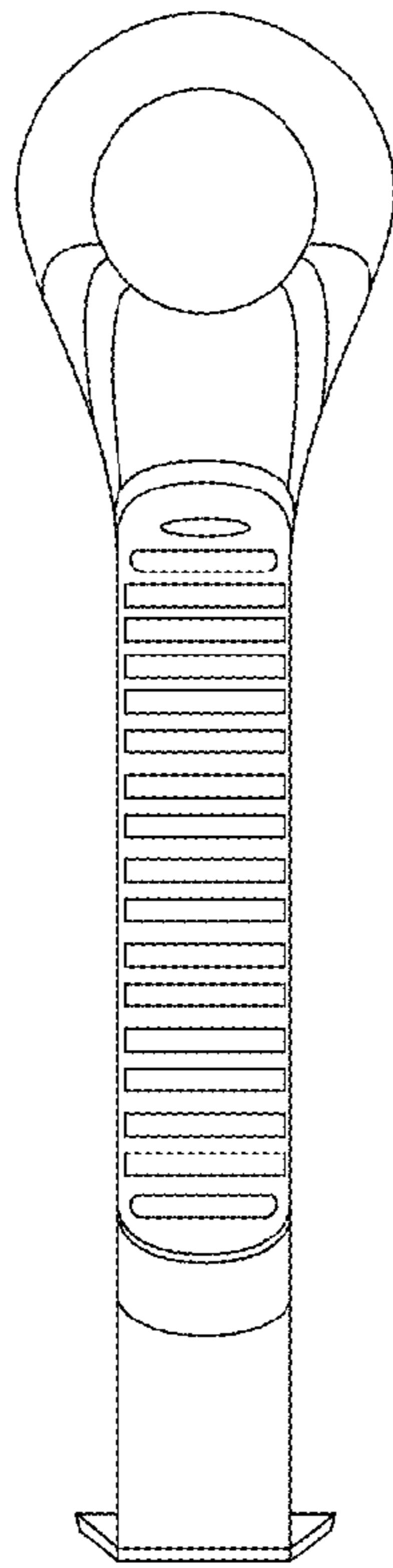


FIG. 6

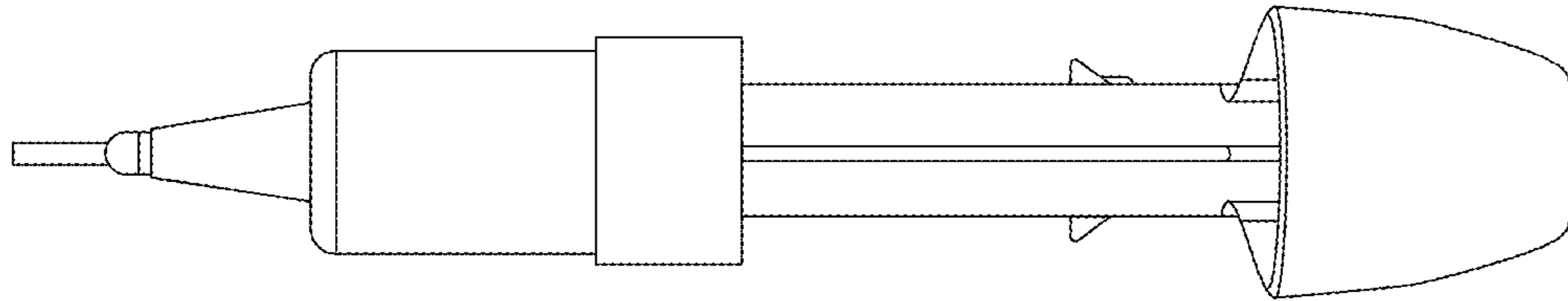


FIG. 7

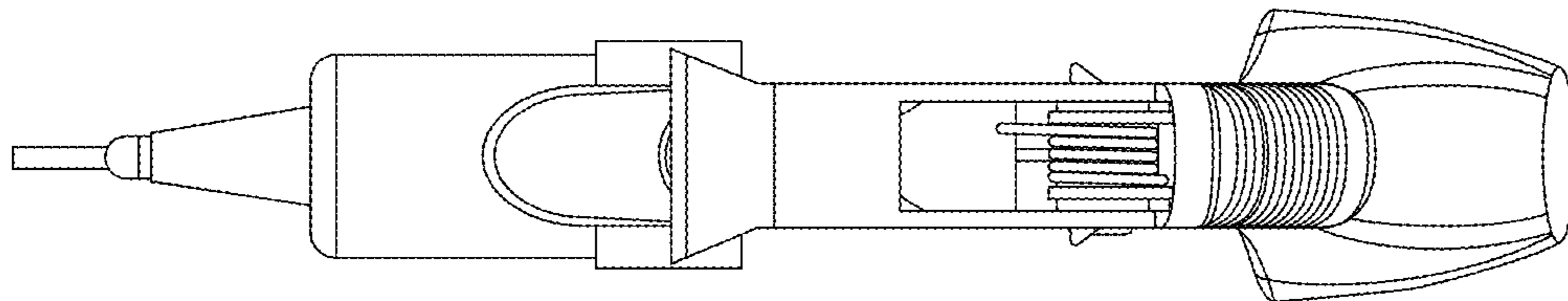


FIG. 8