

US00D871175S

(12) **United States Design Patent** (10) **Patent No.:** **US D871,175 S**
Schwenke (45) **Date of Patent:** **** Dec. 31, 2019**

(54) **HAND TOOL**

(71) Applicant: **Dusty C. Schwenke**, Harlem, MT (US)

(72) Inventor: **Dusty C. Schwenke**, Harlem, MT (US)

(**) Term: **15 Years**

(21) Appl. No.: **29/664,173**

(22) Filed: **Sep. 21, 2018**

(51) **LOC (12) Cl.** **08-05**

(52) **U.S. Cl.**
USPC **D8/14; D8/16**

(58) **Field of Classification Search**
USPC D8/14, 16, 17, 19, 105, 349, 354
CPC B61H 13/02; B61H 13/00; B61H 13/005;
B60T 17/221; B25B 27/14
See application file for complete search history.

(56) **References Cited**

U.S. PATENT DOCUMENTS

D243,312 S *	2/1977	Chaney	D32/46
D308,006 S *	5/1990	Robbins	D10/46.3
5,003,680 A *	4/1991	Vesely	B25B 27/306 29/227
5,481,950 A	1/1996	Browning		
5,803,518 A *	9/1998	Gibbons	B25B 27/02 254/129
6,233,806 B1	5/2001	Anderson et al.		
D532,661 S *	11/2006	Wood	D8/14
7,676,896 B1 *	3/2010	Carscadden	B25B 23/18 254/25
8,434,802 B2	5/2013	Lofley, Sr. et al.		
8,469,426 B2	6/2013	Lofley, Sr. et al.		
D700,817 S *	3/2014	Oachs	D8/19
8,707,533 B2 *	4/2014	Livingston	B25B 27/30 254/10.5
8,763,195 B2 *	7/2014	Bouix	A46B 17/06 15/105
D723,998 S *	3/2015	Hansen	D12/223
9,371,079 B1 *	6/2016	Owens	B61H 13/02

2010/0109357 A1	5/2010	Lofley, Sr. et al.		
2012/0146354 A1	6/2012	Lofley, Sr. et al.		
2012/0204631 A1 *	8/2012	Tucker	B25B 27/0035 73/121
2016/0008975 A1 *	1/2016	Smith	G05G 1/08 294/175

* cited by examiner

Primary Examiner — Philip S Hyder

(74) *Attorney, Agent, or Firm* — Antoinette M. Tease

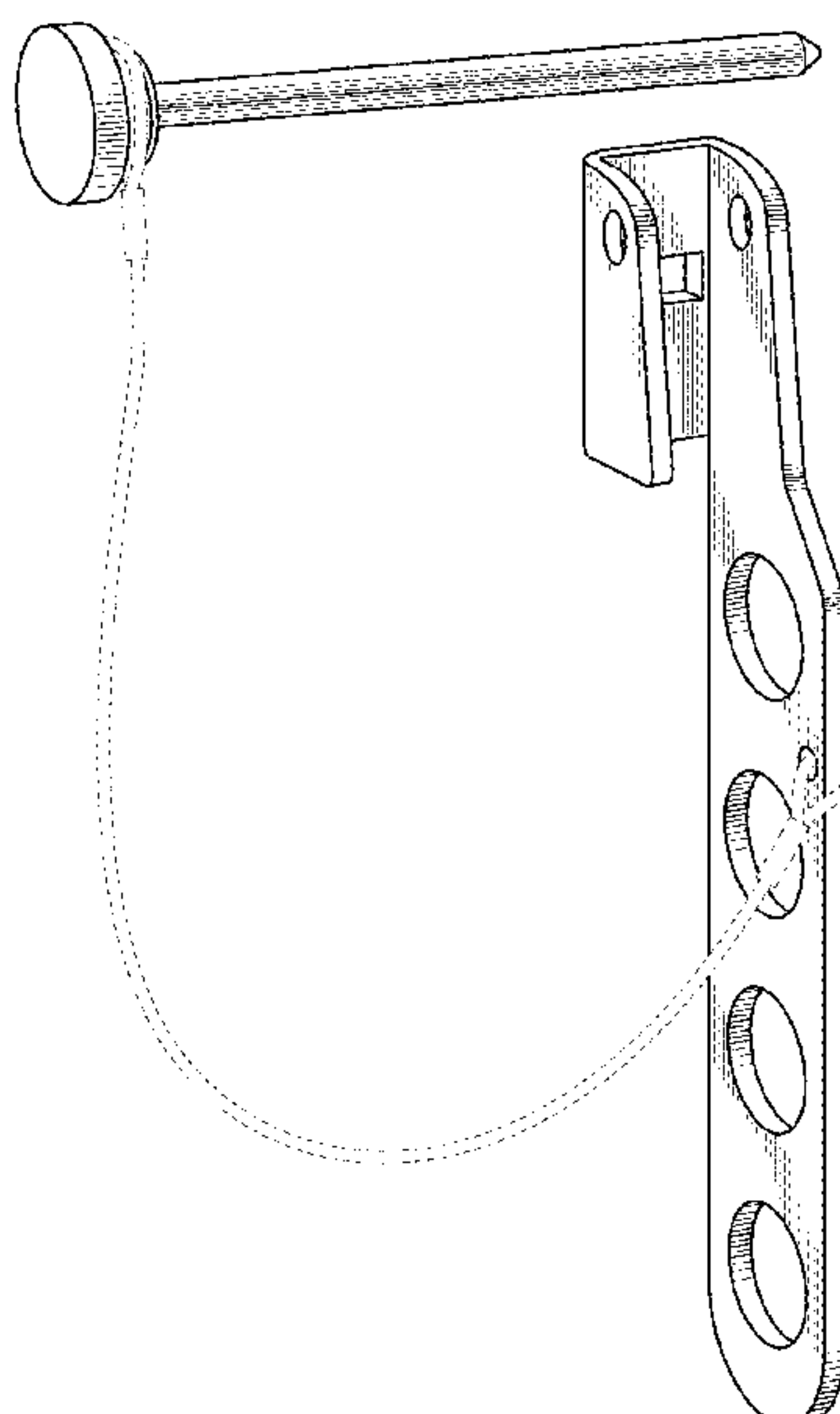
(57) **CLAIM**

The ornamental design for a hand tool, as shown and described.

DESCRIPTION

FIG. 1 is a perspective view of a hand tool showing the new design.
 FIG. 2 is a right side elevation view thereof.
 FIG. 3 is a rear elevation view thereof.
 FIG. 4 is a bottom plan view thereof.
 FIG. 5 is a top plan view thereof.
 FIG. 6 is a left side elevation view thereof.
 FIG. 7 is a front elevation view thereof.
 FIG. 8 is a perspective view of the main component of the hand tool.
 FIG. 9 is a right side elevation view thereof.
 FIG. 10 is a rear elevation view thereof.
 FIG. 11 is a bottom plan view thereof.
 FIG. 12 is a top plan view thereof.
 FIG. 13 is a left side elevation view thereof; and,
 FIG. 14 is a front elevation view thereof.
 The broken line showing of the cable is provided for purposes of environment and forms no part of the claimed design.

1 Claim, 5 Drawing Sheets



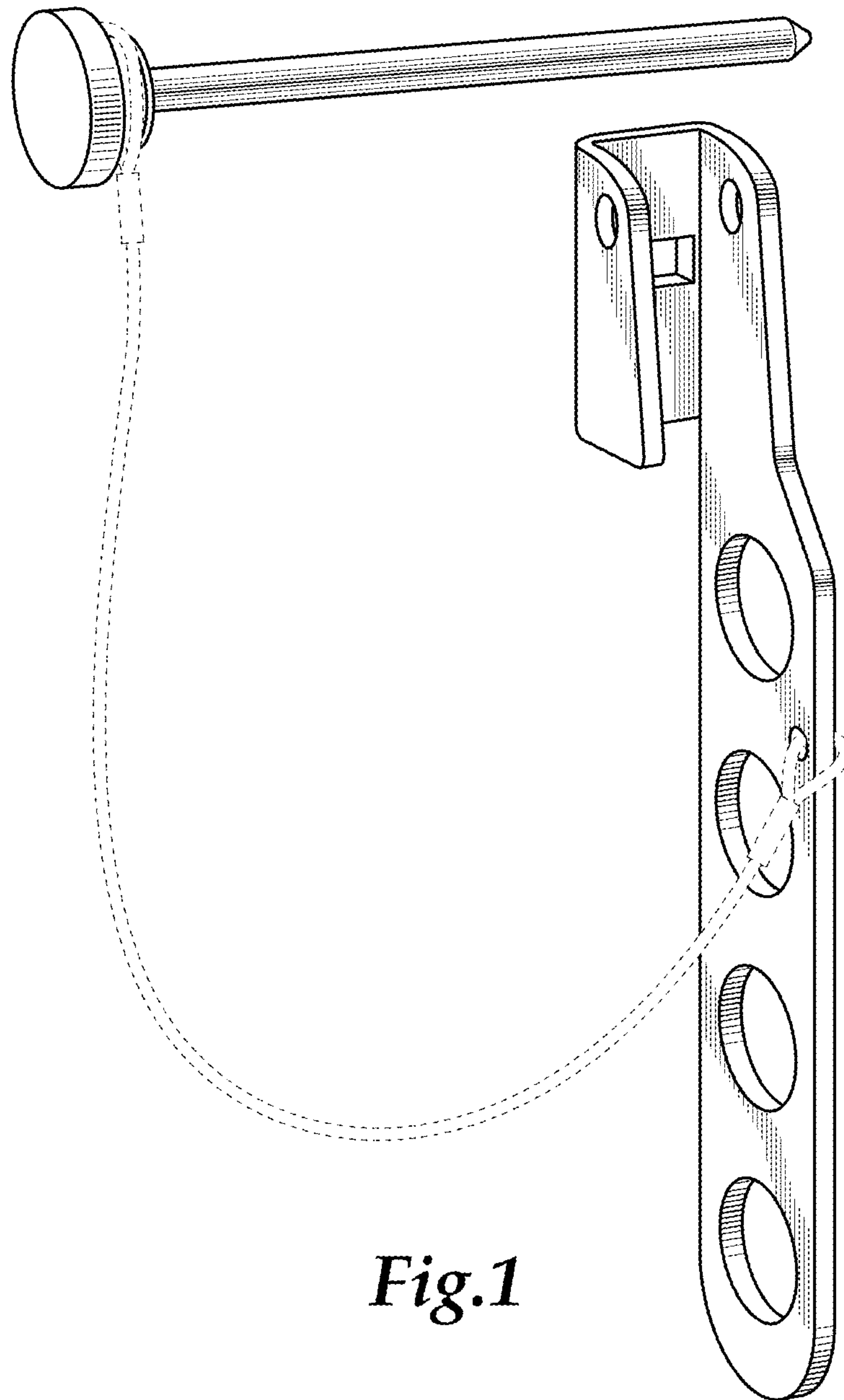


Fig.1

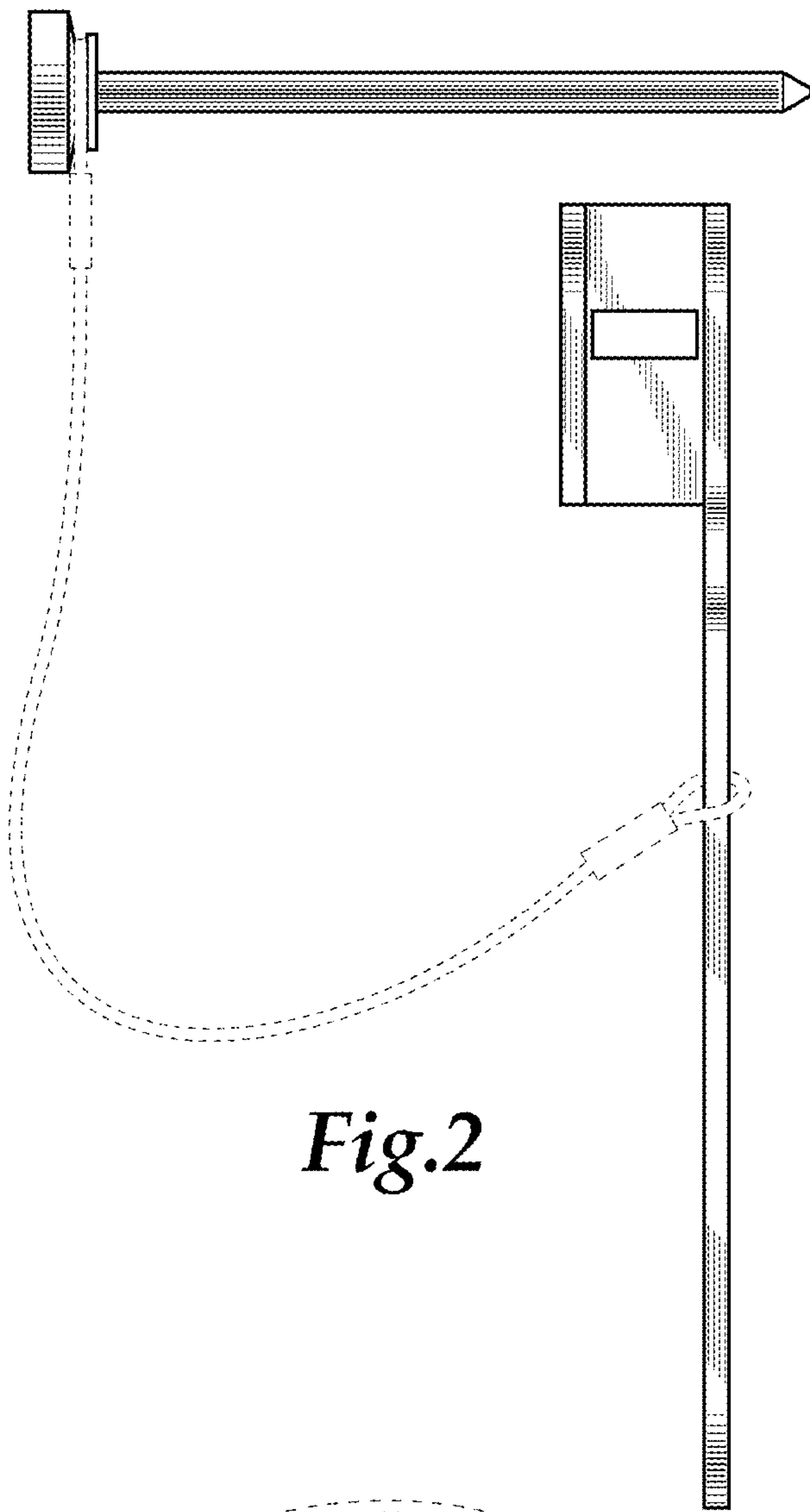


Fig.2

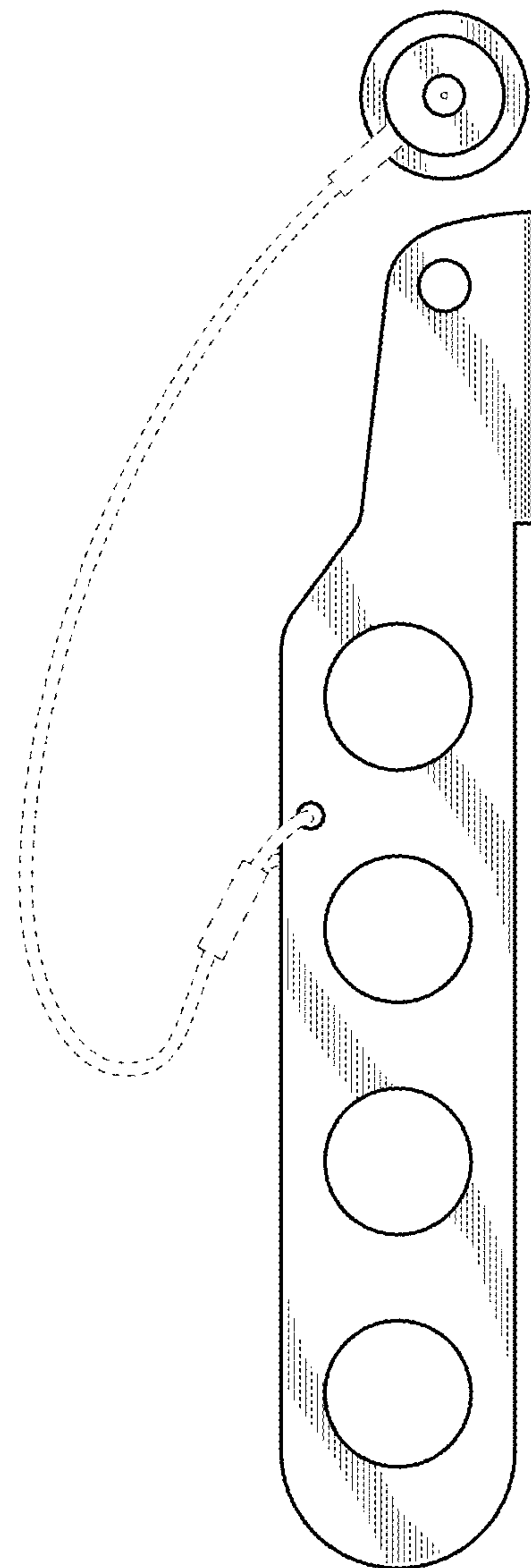


Fig.3

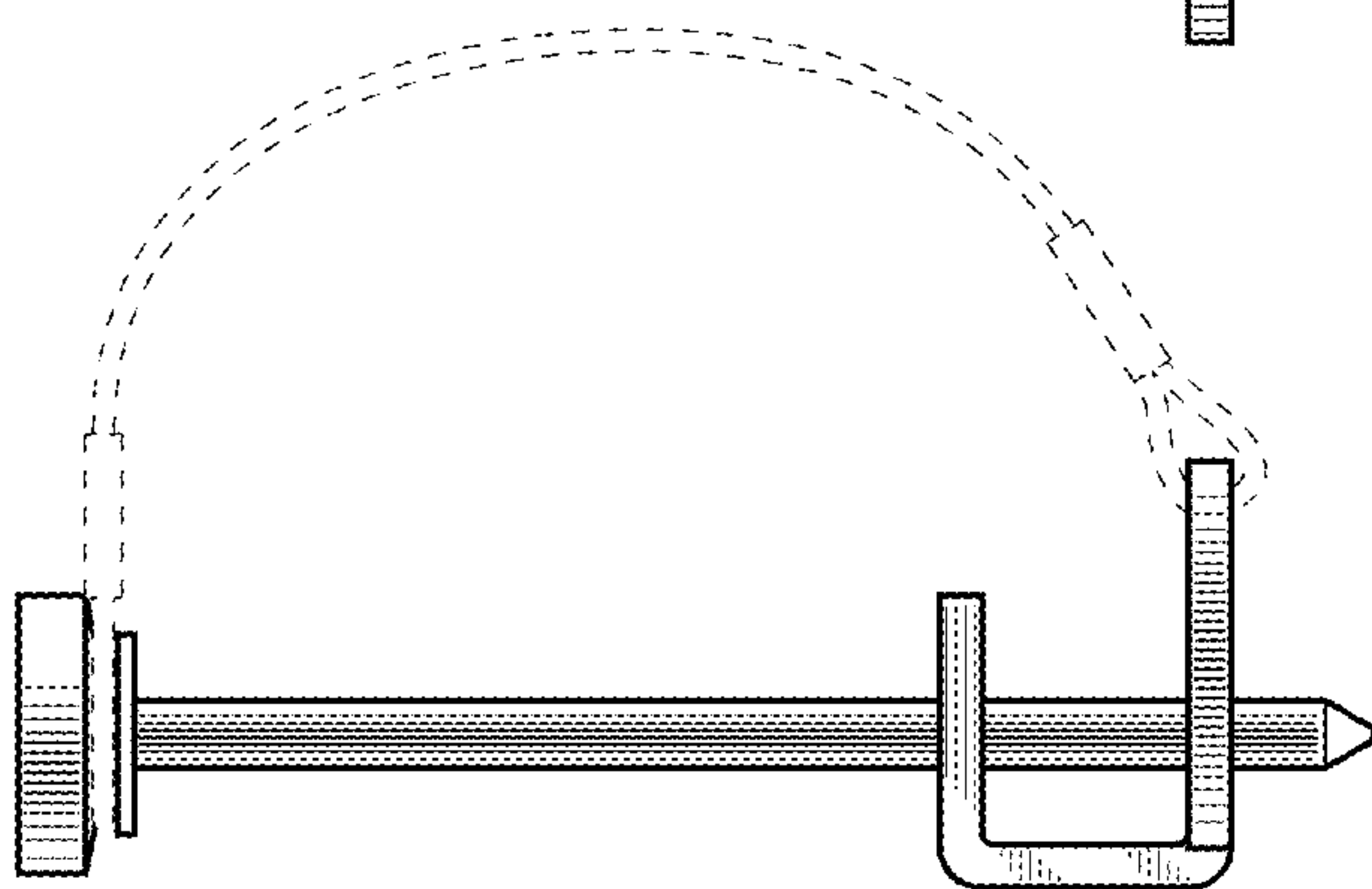


Fig.4

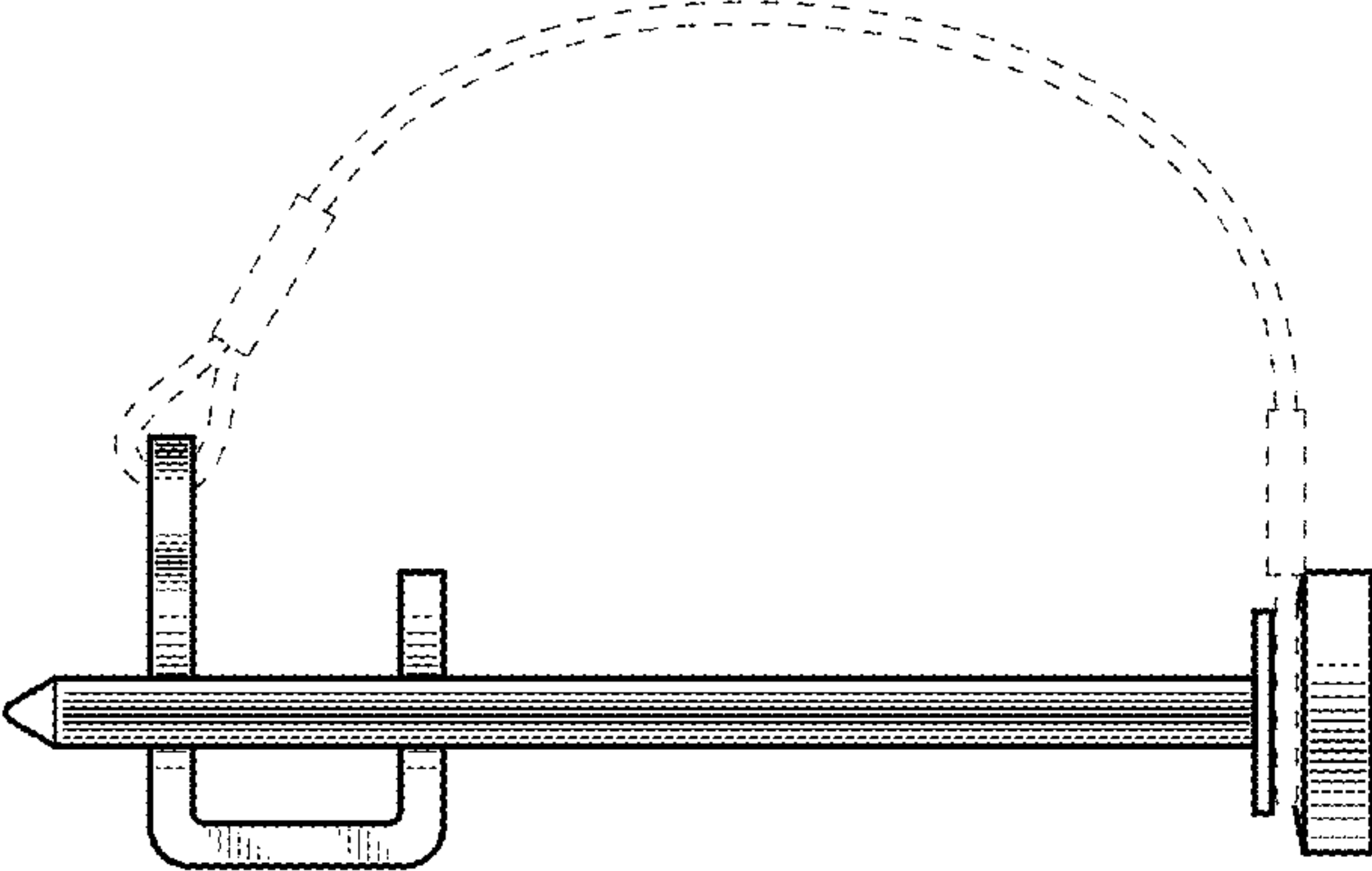


Fig.5

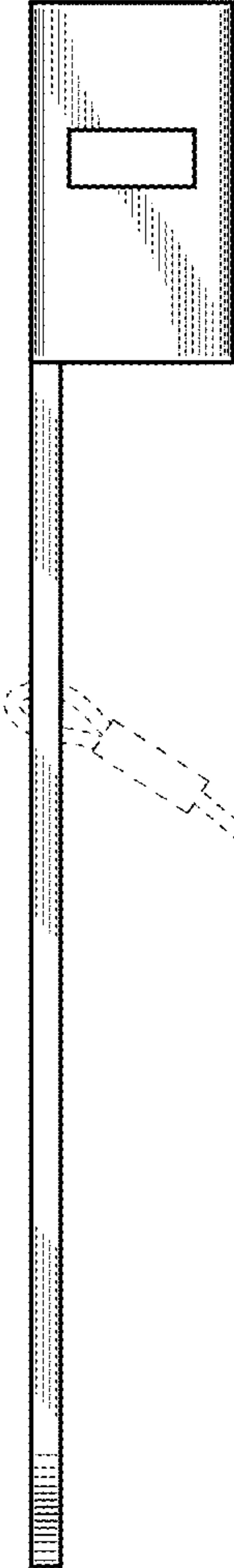
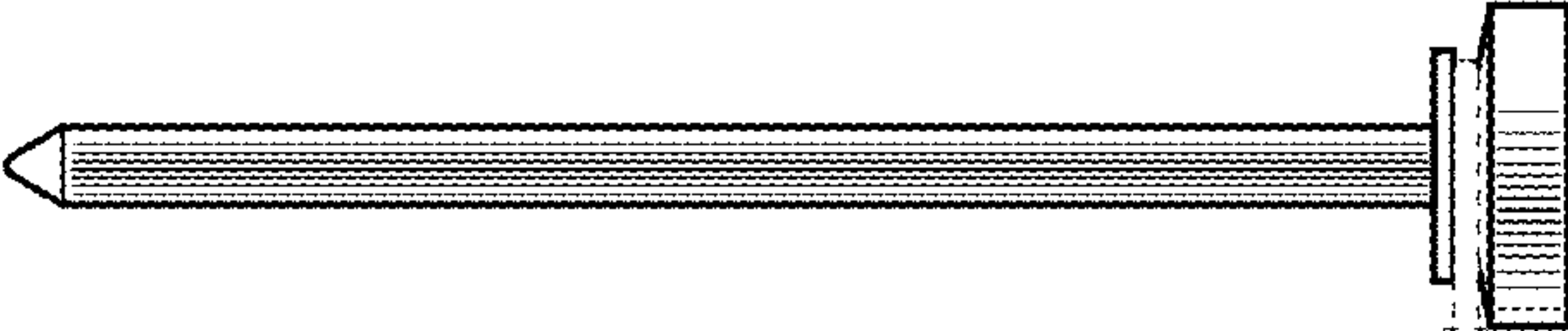


Fig.6

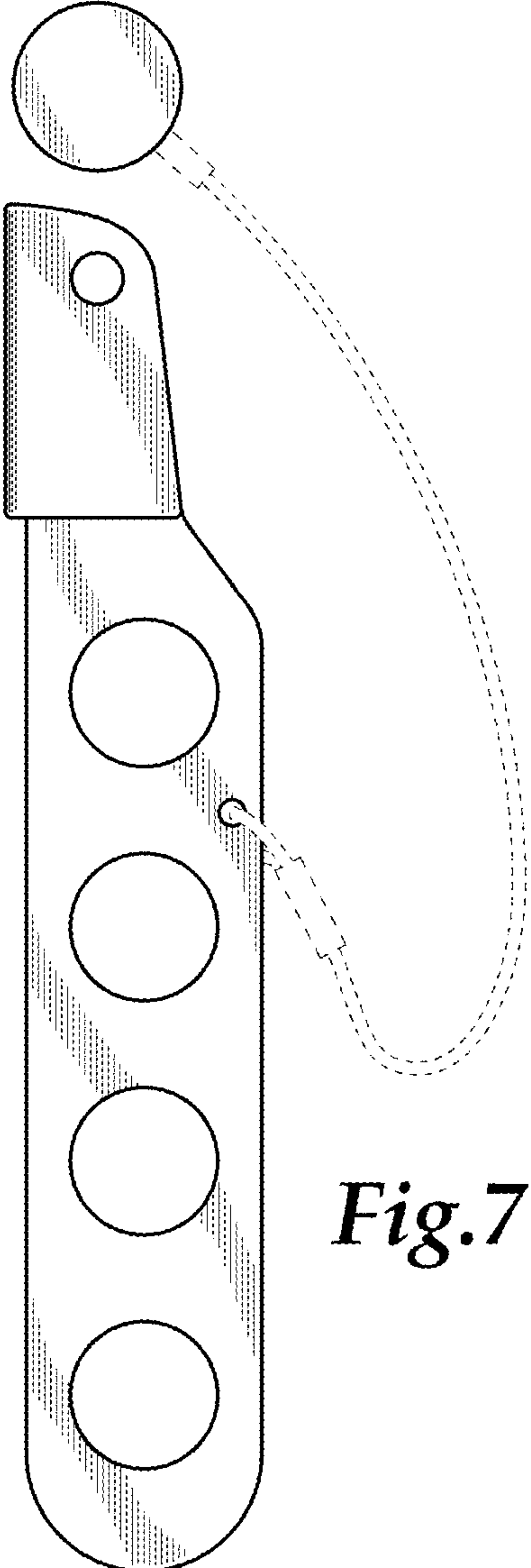
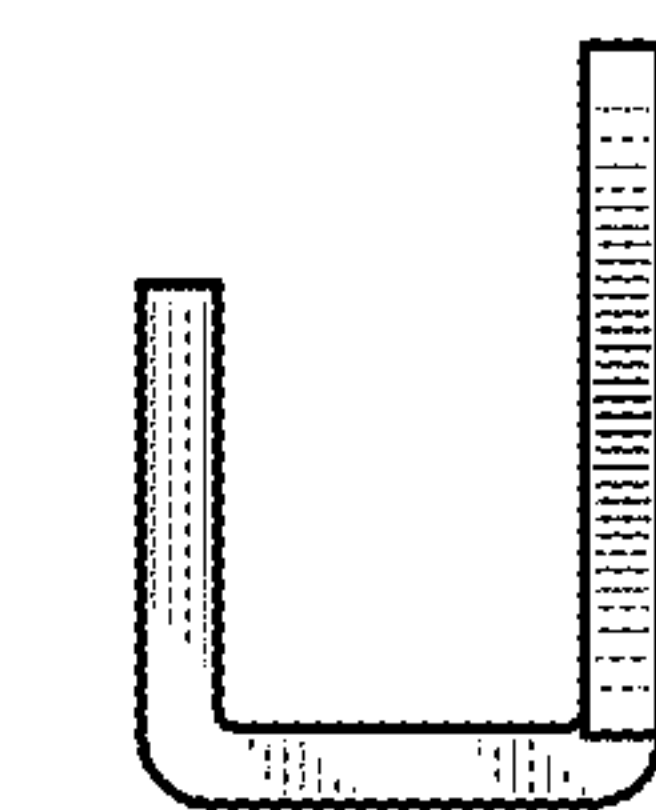
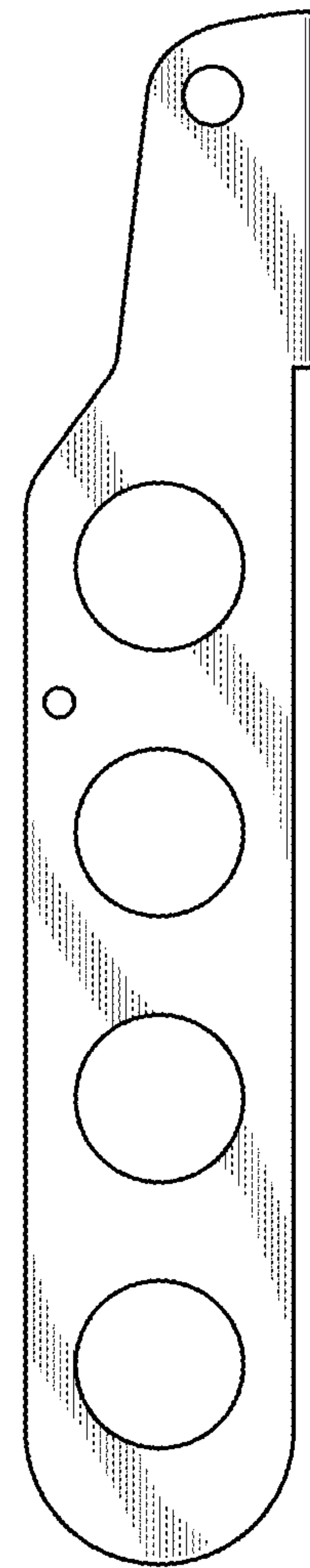
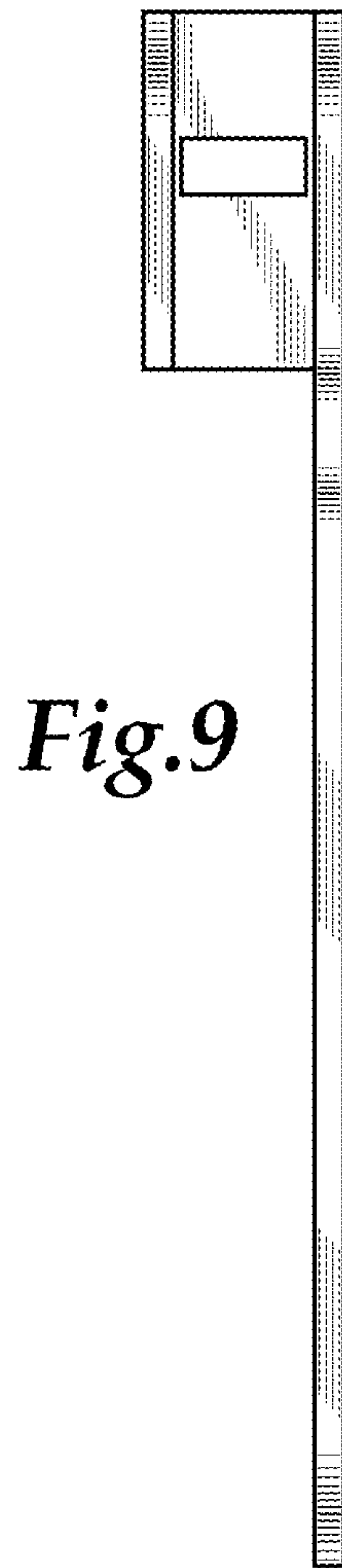
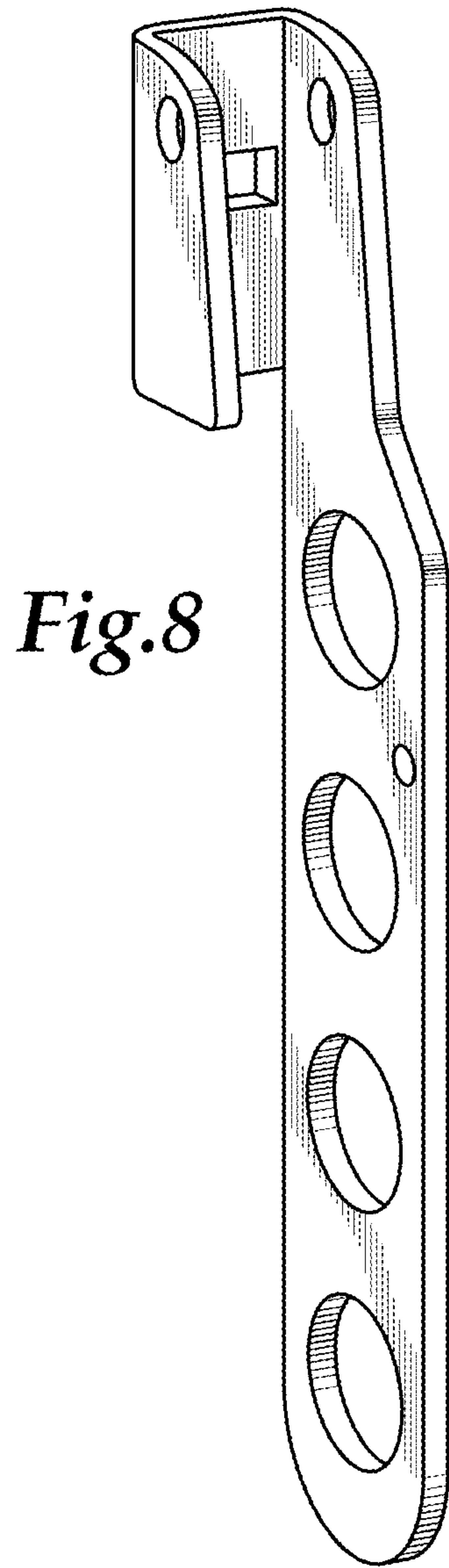


Fig.7



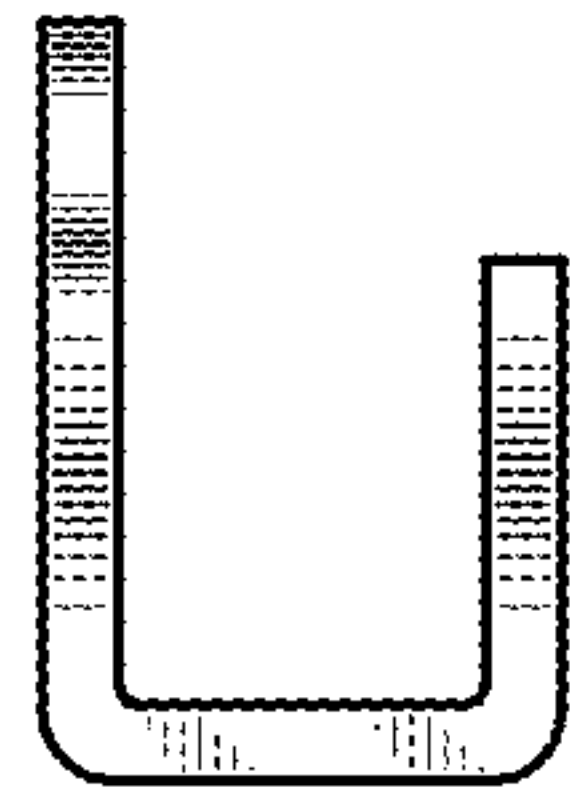


Fig.12

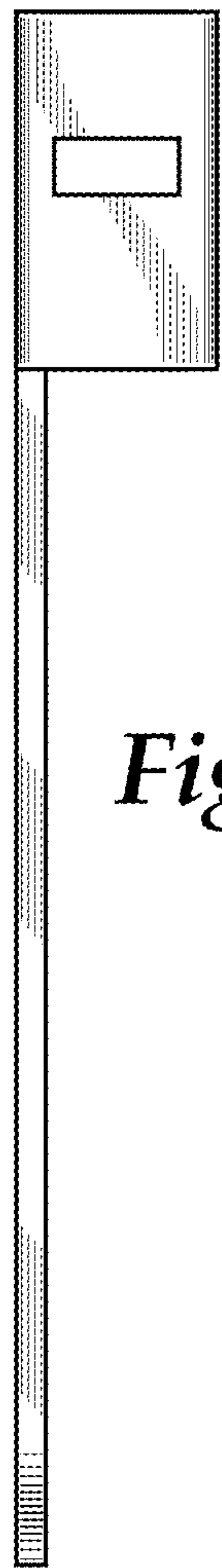


Fig.13

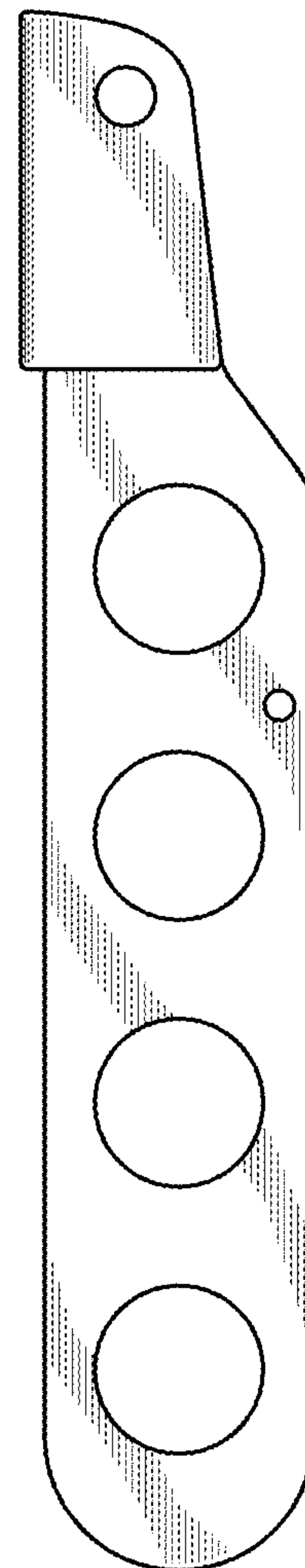


Fig.14