



US00D871173S

(12) **United States Design Patent**
Drager

(10) **Patent No.:** **US D871,173 S**

(45) **Date of Patent:** **** Dec. 31, 2019**

- (54) **HAY FORK**
- (71) Applicant: **Waverly Ag, LLC**, Fort Collins, CO (US)
- (72) Inventor: **Kevin D. Drager**, Fort Collins, CO (US)
- (73) Assignee: **Waverly Ag, LLC**, Fort Collins, CO (US)
- (**) Term: **15 Years**
- (21) Appl. No.: **29/635,217**
- (22) Filed: **Jan. 29, 2018**
- (51) **LOC (12) Cl.** **08-01**
- (52) **U.S. Cl.**
USPC **D8/13**
- (58) **Field of Classification Search**
USPC D8/1, 10, 13
CPC . A01D 11/06; A01D 9/02; A01D 7/10; A01D 7/00; A01D 7/01; A01D 7/06; A01D 7/04; A01D 7/08
See application file for complete search history.

- 1,357,882 A * 11/1920 McBride A01D 9/02
294/124
- 1,910,371 A * 5/1933 Thiemann A01D 7/10
56/400.2
- 4,026,094 A * 5/1977 Sasur A01D 7/10
135/118
- D652,700 S * 1/2012 Flechel D8/13
- D677,135 S * 3/2013 Green D8/13
- D721,552 S * 1/2015 VanderWoude D8/13
- 9,526,203 B1 * 12/2016 Pilgrim A01D 11/04
- D784,097 S * 4/2017 Bowden D8/13

* cited by examiner

Primary Examiner — Sheryl Lane

(74) *Attorney, Agent, or Firm* — William W. Cochran;
Cochran Freund & Young LLC

(57) **CLAIM**

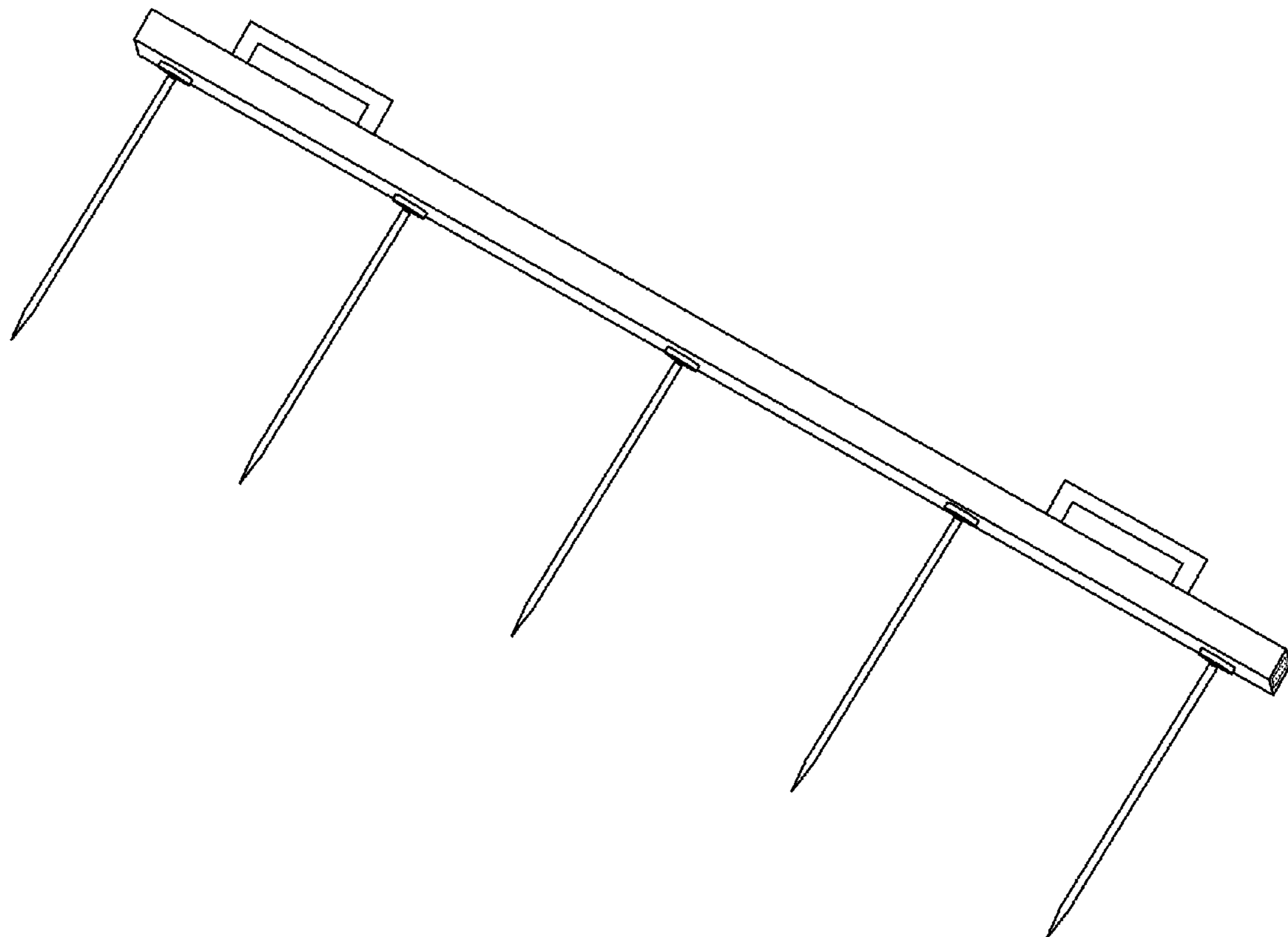
The ornamental design for a hay fork, as shown and described.

DESCRIPTION

FIG. 1 is an isometric elevation view of a hay fork showing my design.
 FIG. 2 is an enlarged front side view thereof.
 FIG. 3 is an enlarged rear side view thereof.
 FIG. 4 is a right side view thereof.
 FIG. 5 is a left side view thereof.
 FIG. 6 is a top view thereof; and,
 FIG. 7 is a bottom view thereof.

1 Claim, 6 Drawing Sheets

- (56) **References Cited**
U.S. PATENT DOCUMENTS
162,457 A * 4/1875 Bishop A01D 11/06
294/52
D22,605 S * 7/1893 Kohler D8/13



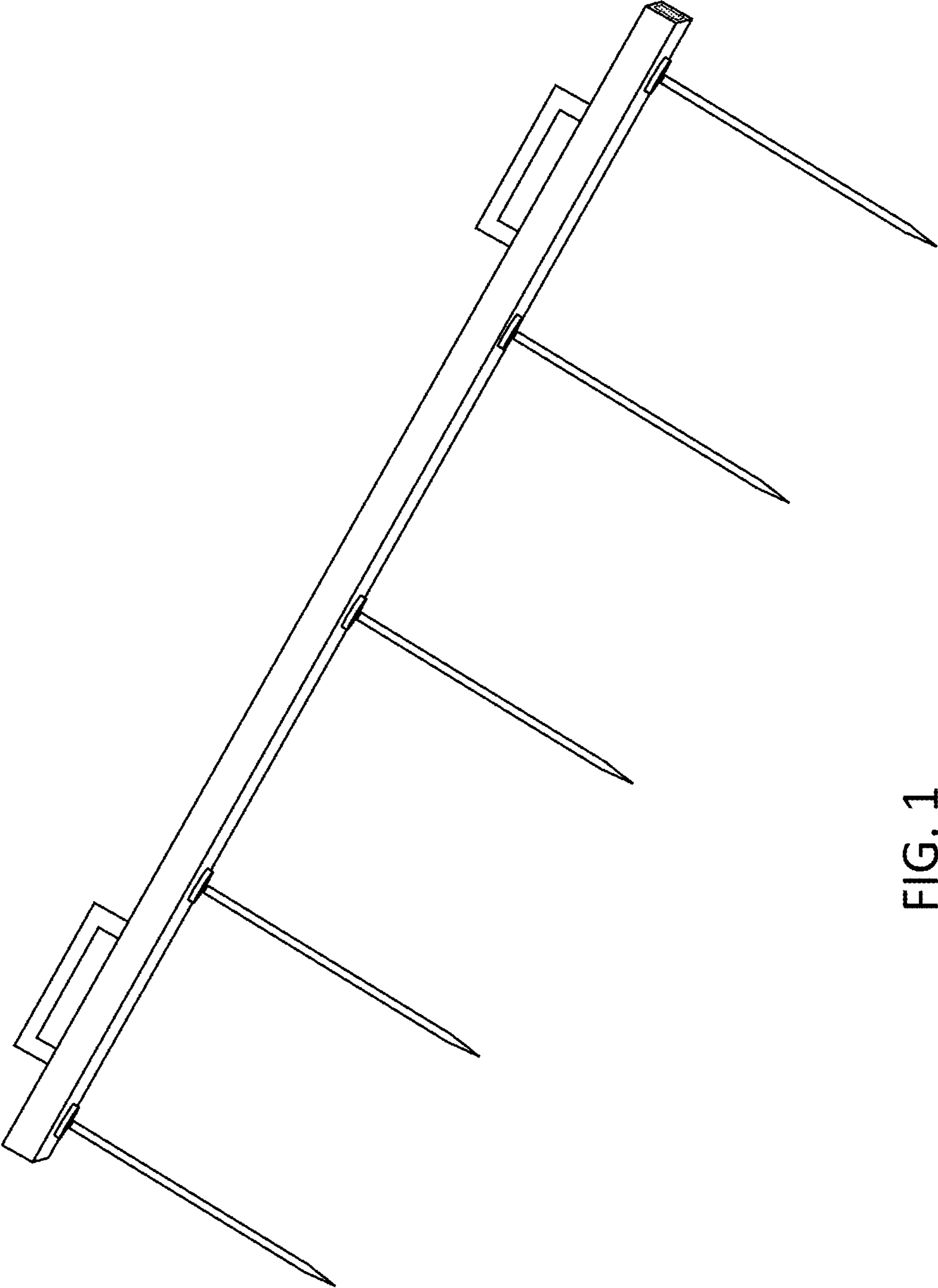


FIG. 1

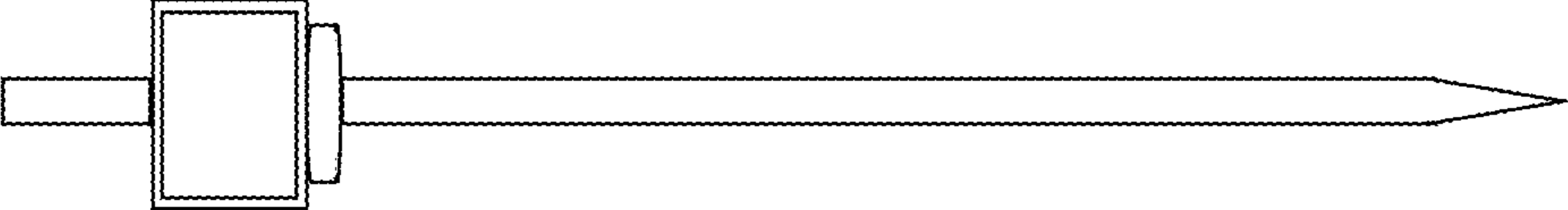


FIG. 3

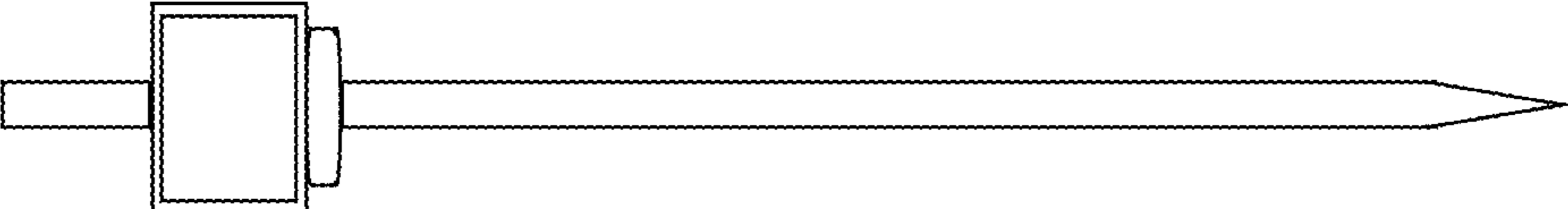


FIG. 2

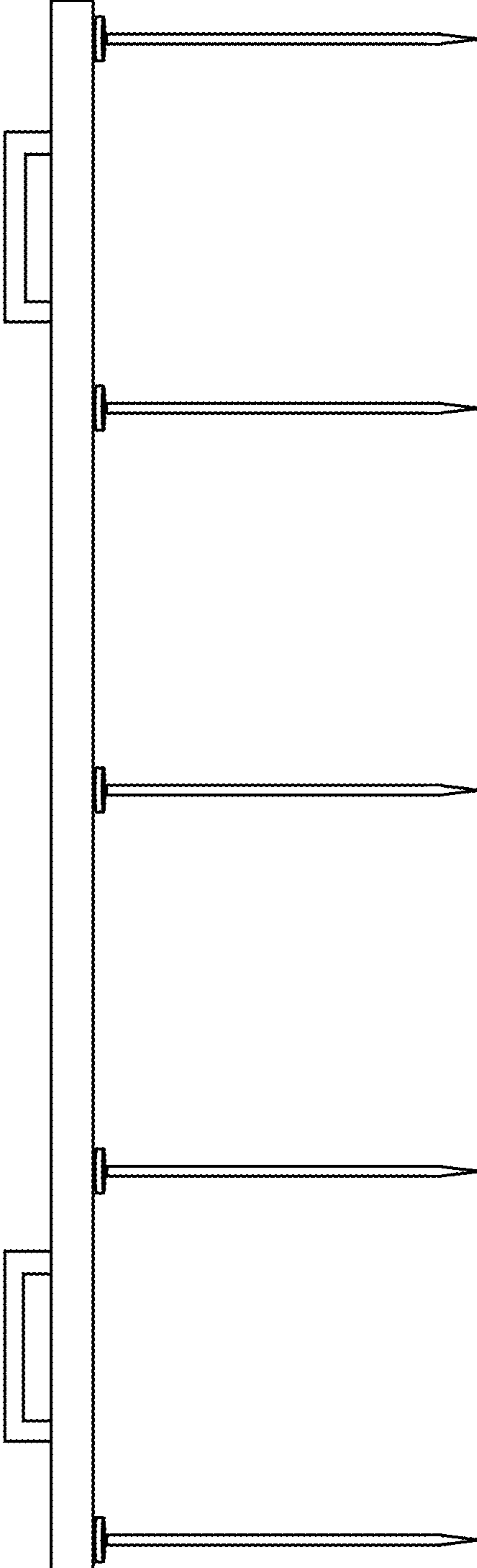


FIG. 4

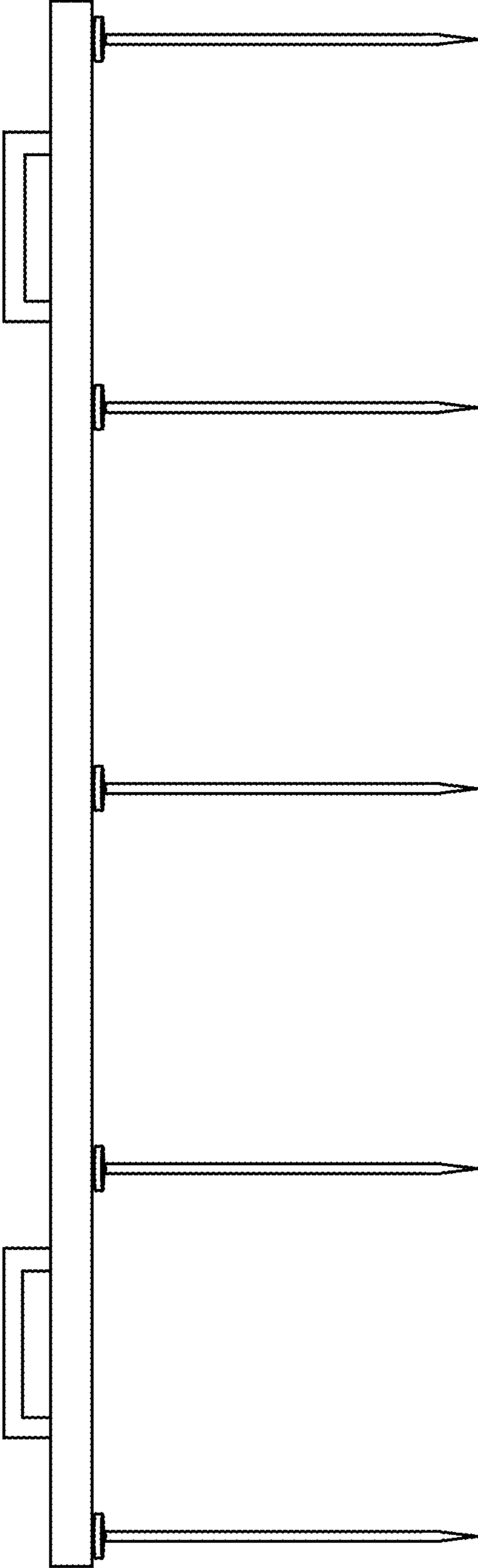


FIG. 5

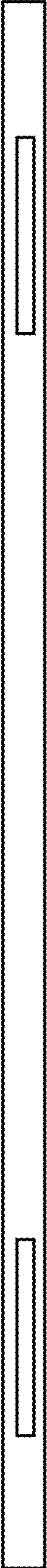


FIG. 6



FIG. 7