



US00D871172S

(12) **United States Design Patent**
Liao

(10) **Patent No.:** **US D871,172 S**
(45) **Date of Patent:** **** Dec. 31, 2019**

- (54) **FUNNEL**
- (71) Applicant: **LIH YANN INDUSTRIAL CO., LTD.,**
Taichung (TW)
- (72) Inventor: **Po-Lin Liao,** Taichung (TW)
- (73) Assignee: **LIH YANN INDUSTRIAL CO., LTD.,**
Taichung (TW)
- (**) Term: **15 Years**
- (21) Appl. No.: **29/644,681**
- (22) Filed: **Apr. 19, 2018**
- (51) **LOC (12) Cl.** **07-99**
- (52) **U.S. Cl.**
USPC **D7/700; D15/150**
- (58) **Field of Classification Search**
USPC D7/12, 216, 318, 372, 400, 669, 691,
D7/700; D8/1, 2, 34; D9/436, 719, 702,
D9/707, 712; D10/46.2, 64; D12/197;
D15/136, 138, 150, 152, 199; D21/209,
D21/212; D23/200, 209, 212; D24/109,
D24/112, 122, 127, 162; D30/121, 162;
D34/2
CPC B67C 11/02; B67C 11/00; B67C 2011/20;
B67C 2011/30; B65D 25/48; B65D
41/04; B65D 51/24; B65D 88/26; B65D
2231/007
See application file for complete search history.

- (56) **References Cited**
U.S. PATENT DOCUMENTS
55,941 A * 6/1866 Whitney B67C 11/02
141/297
3,245,437 A * 4/1966 Holz B67C 11/02
141/331
D282,807 S * 3/1986 Hasse D7/700
D340,467 S * 10/1993 Pollak D15/150

- D340,468 S * 10/1993 Pollak D15/150
- D340,731 S * 10/1993 Pollak D15/150
- D422,674 S * 4/2000 Chrisco D23/200
- D522,887 S * 6/2006 Hutzler D10/46.2
- D541,116 S * 4/2007 Upham D7/700
- 7,284,581 B2 * 10/2007 Steinweg B67C 11/04
141/331
- D555,439 S * 11/2007 Fletcher D15/150
- D750,677 S * 3/2016 Liao D15/150
- D773,544 S * 12/2016 Tseng D15/150
- D846,410 S * 4/2019 Anzalone D10/46.2
- 2011/0011488 A1 * 1/2011 Sickler B67C 11/02
141/1
- 2013/0000775 A1 * 1/2013 Jameson B67C 11/04
141/11

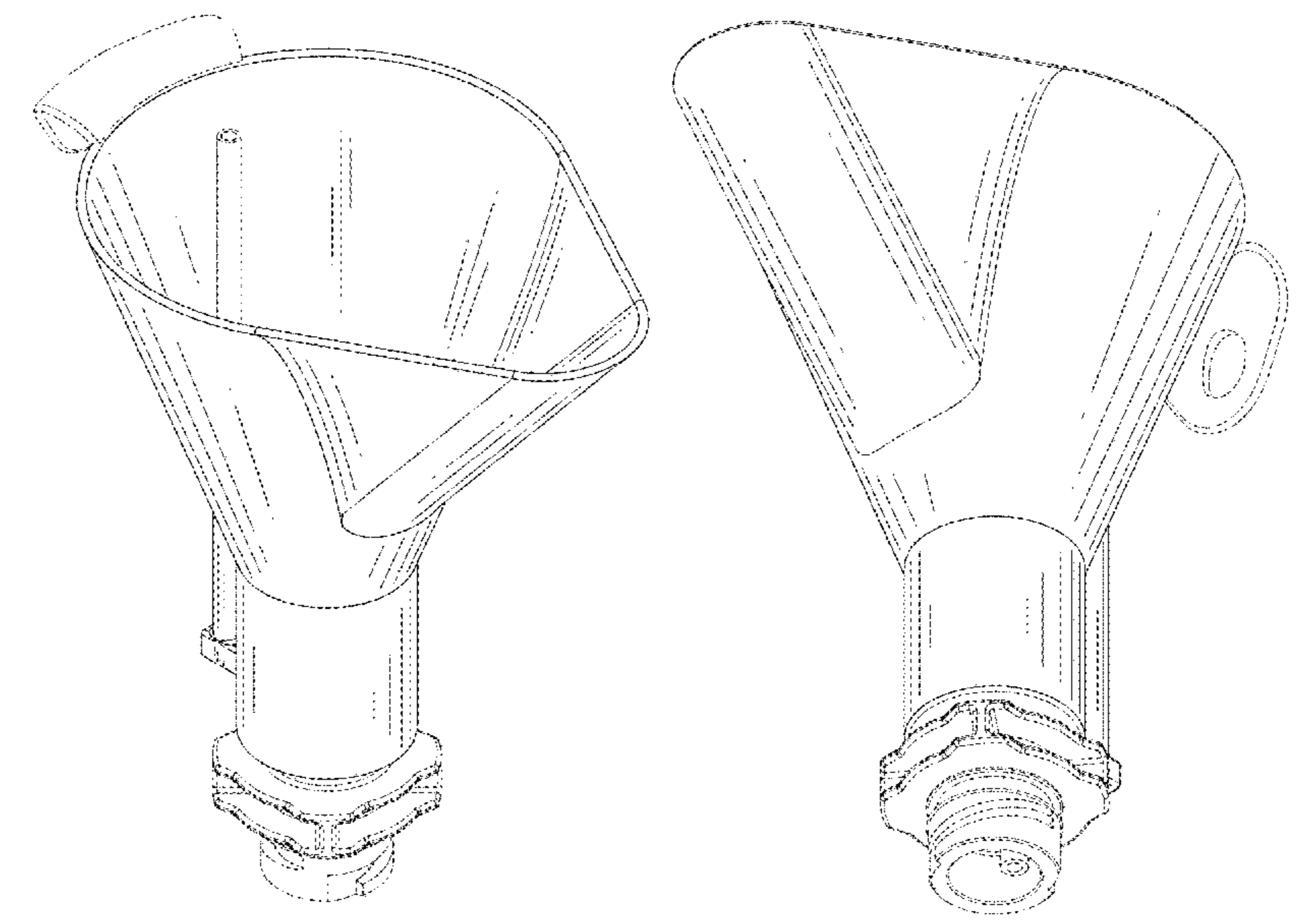
(Continued)

Primary Examiner — Jennifer Rivard
Assistant Examiner — Catherine S Posthauer
(74) *Attorney, Agent, or Firm* — Muncy, Geissler, Olds & Lowe, P.C.

(57) **CLAIM**
I claim the ornamental design for a funnel, as shown and described.

DESCRIPTION
FIG. 1 is a right, front, and top perspective view of a funnel showing my new design;
FIG. 2 is a front elevational view thereof;
FIG. 3 is a rear elevational view thereof;
FIG. 4 is a left side view thereof;
FIG. 5 is a right side view thereof;
FIG. 6 is a top plan view thereof;
FIG. 7 is a bottom plan view thereof;
FIG. 8 is a right, rear, and bottom perspective view thereof;
FIG. 9 is a left, front and top perspective view thereof; and,
FIG. 10 is another right, front, and top perspective view.
The broken lines in the drawings illustrate portions of the funnel which form no part of the claimed design.

1 Claim, 9 Drawing Sheets



(56)

References Cited

U.S. PATENT DOCUMENTS

2015/0321892 A1* 11/2015 Liu B67C 11/063
141/335

* cited by examiner

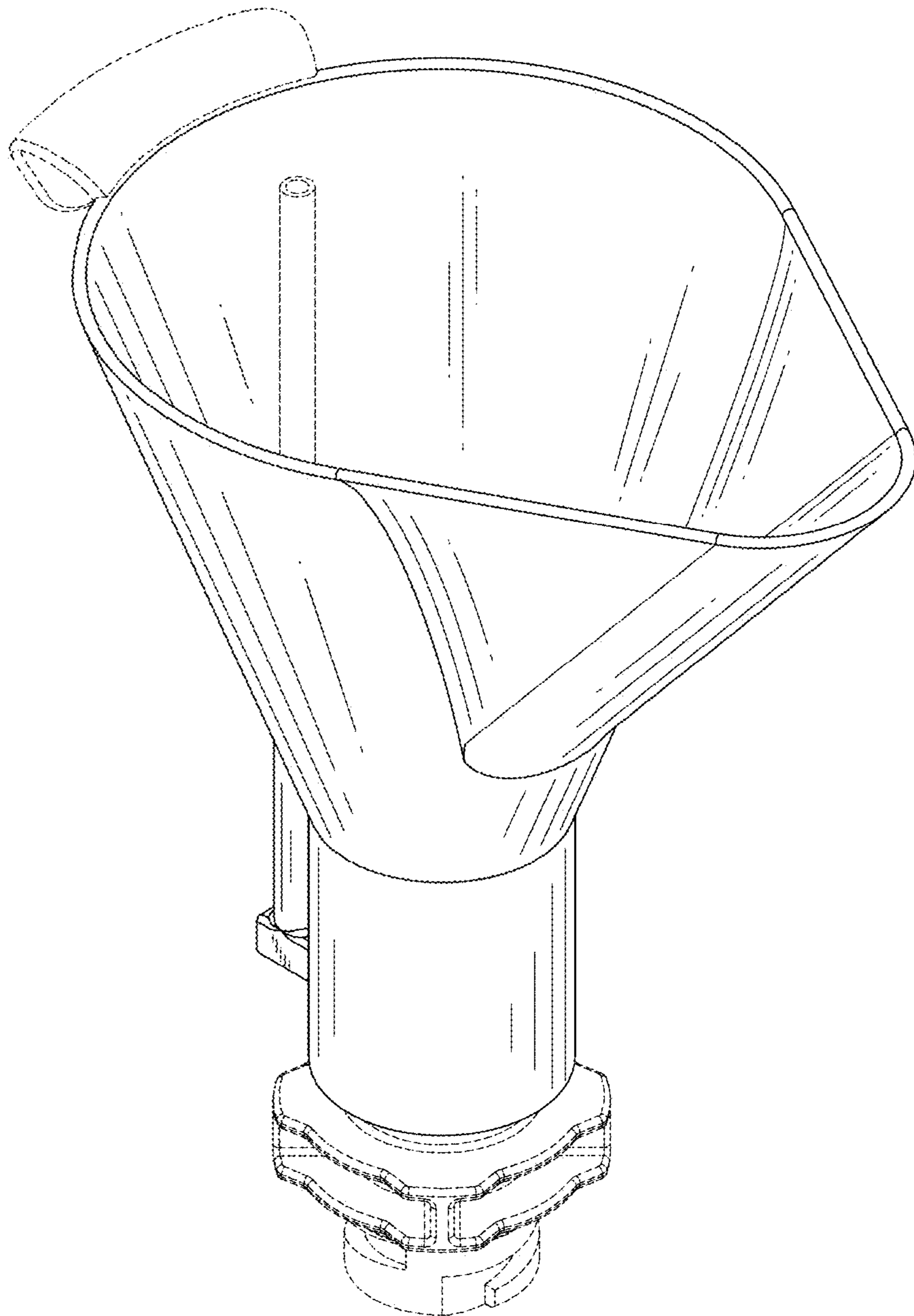


FIG. 1

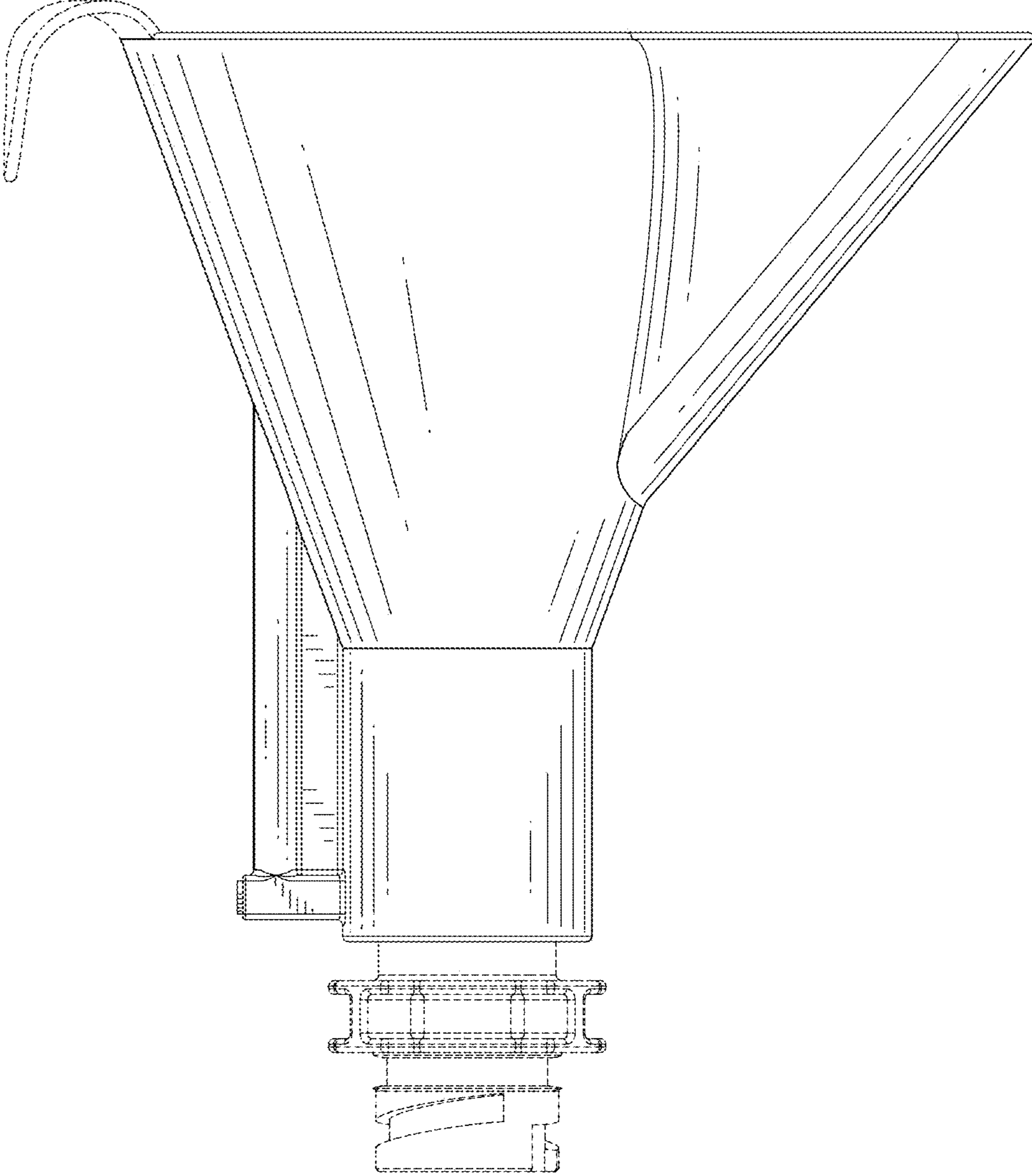


FIG. 2

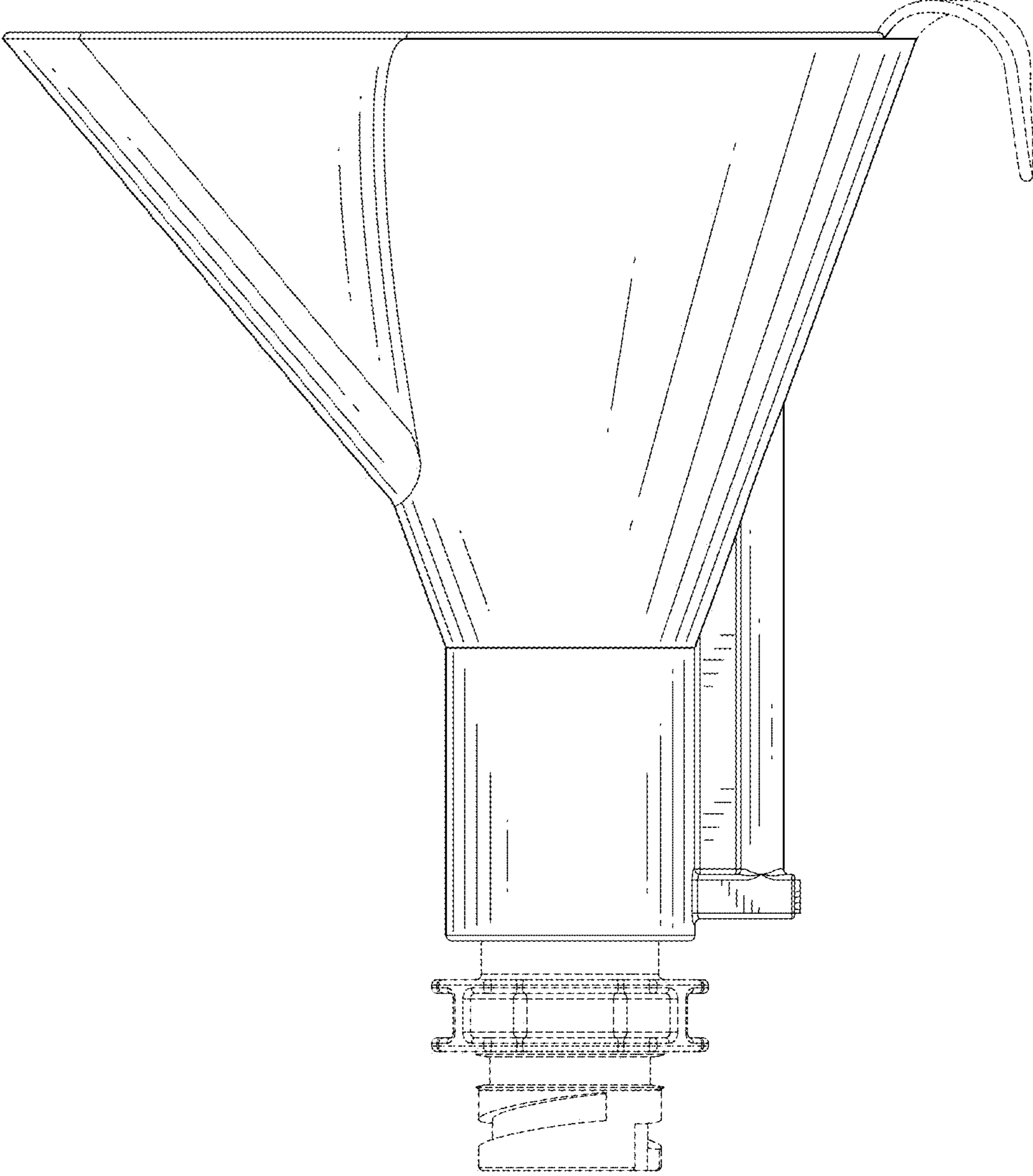


FIG. 3

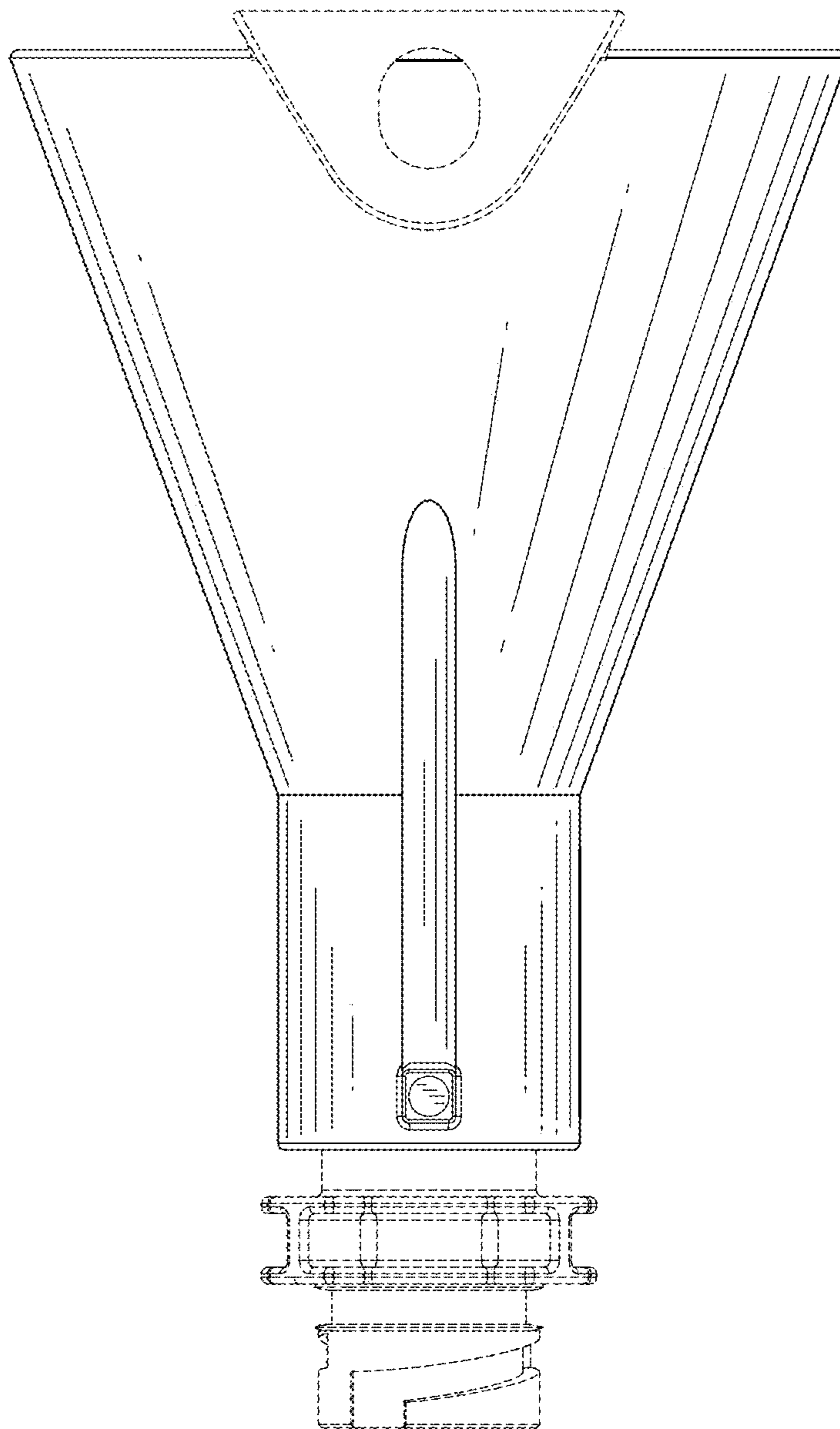


FIG. 4

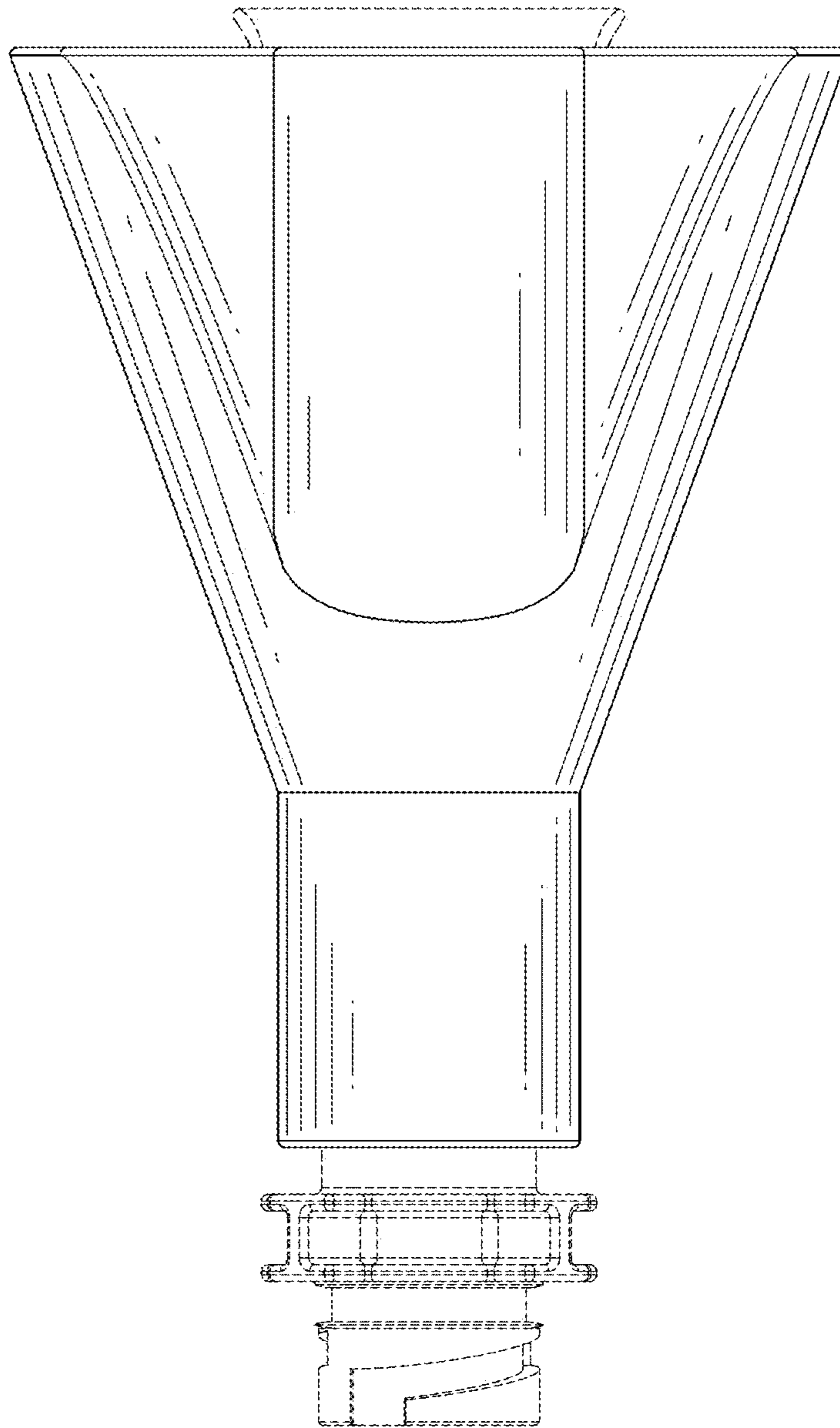


FIG. 5

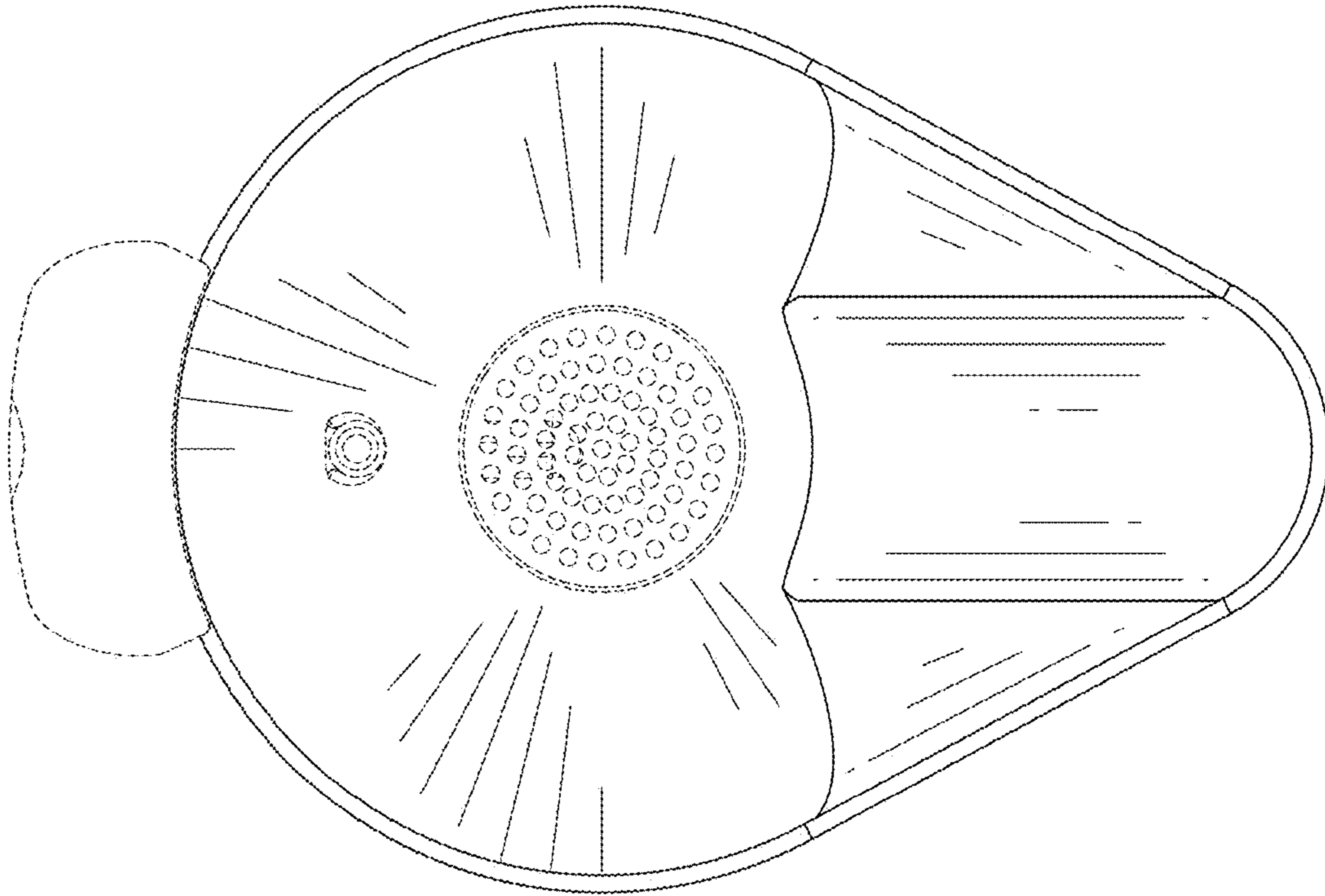


FIG. 6

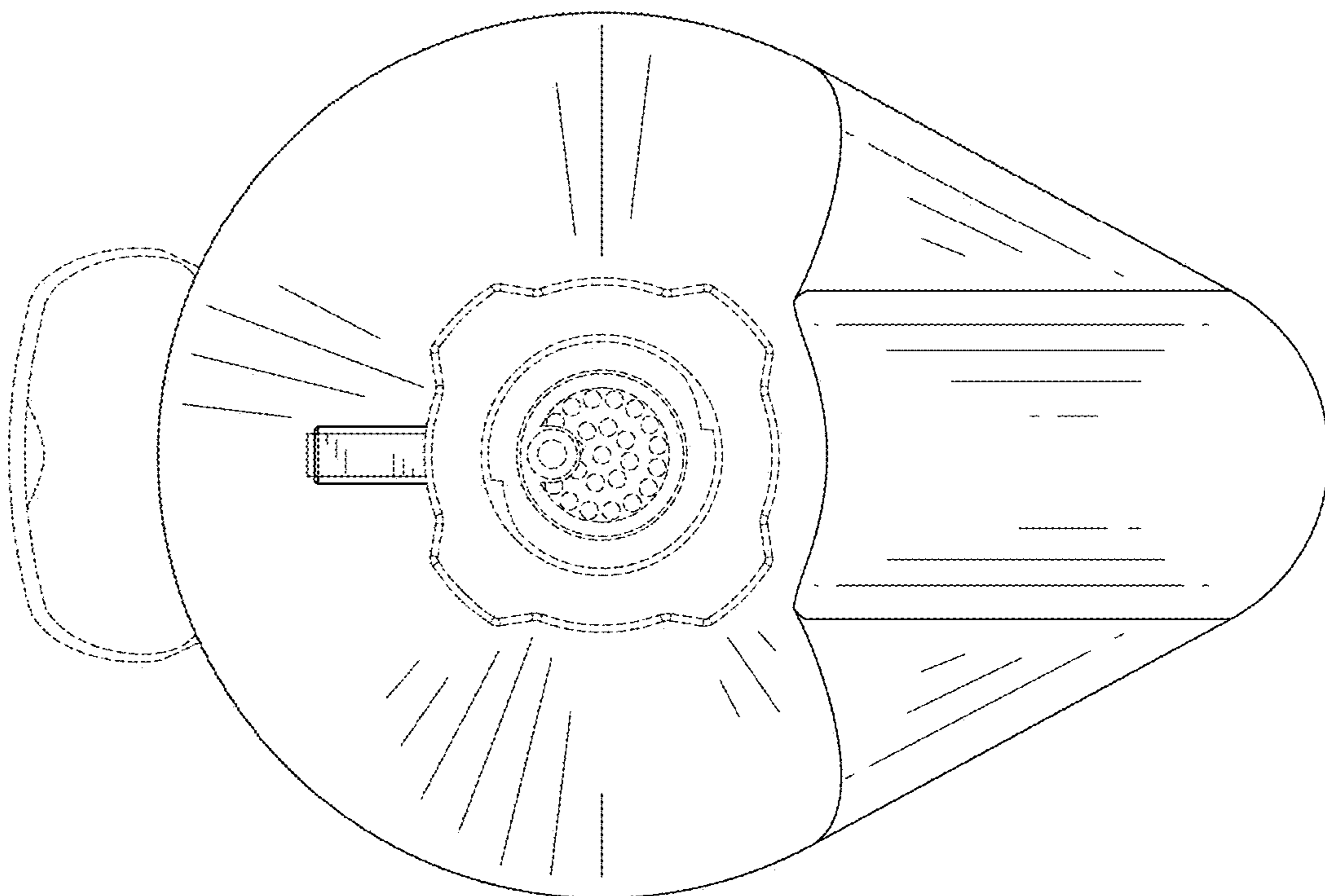


FIG. 7

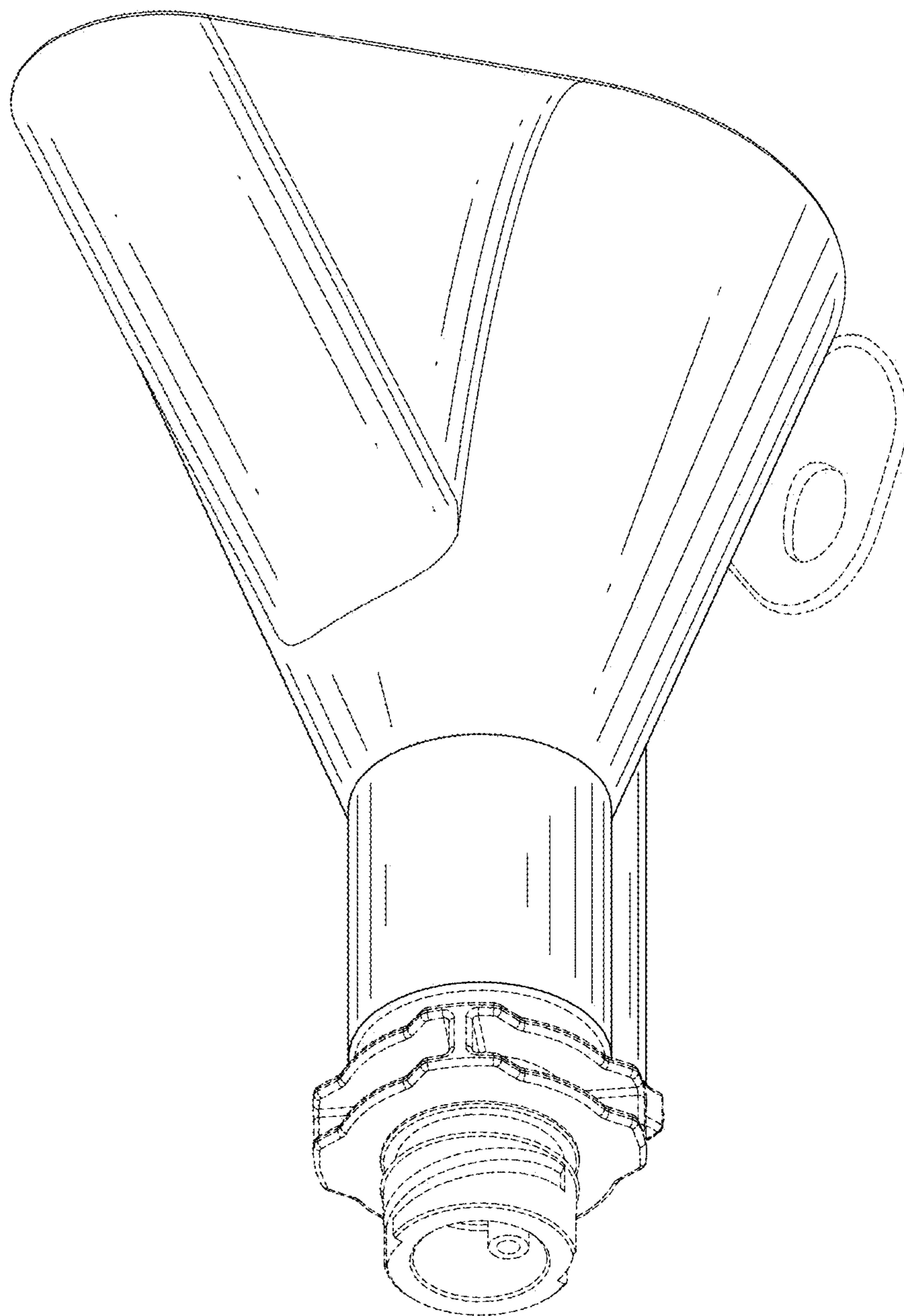


FIG. 8

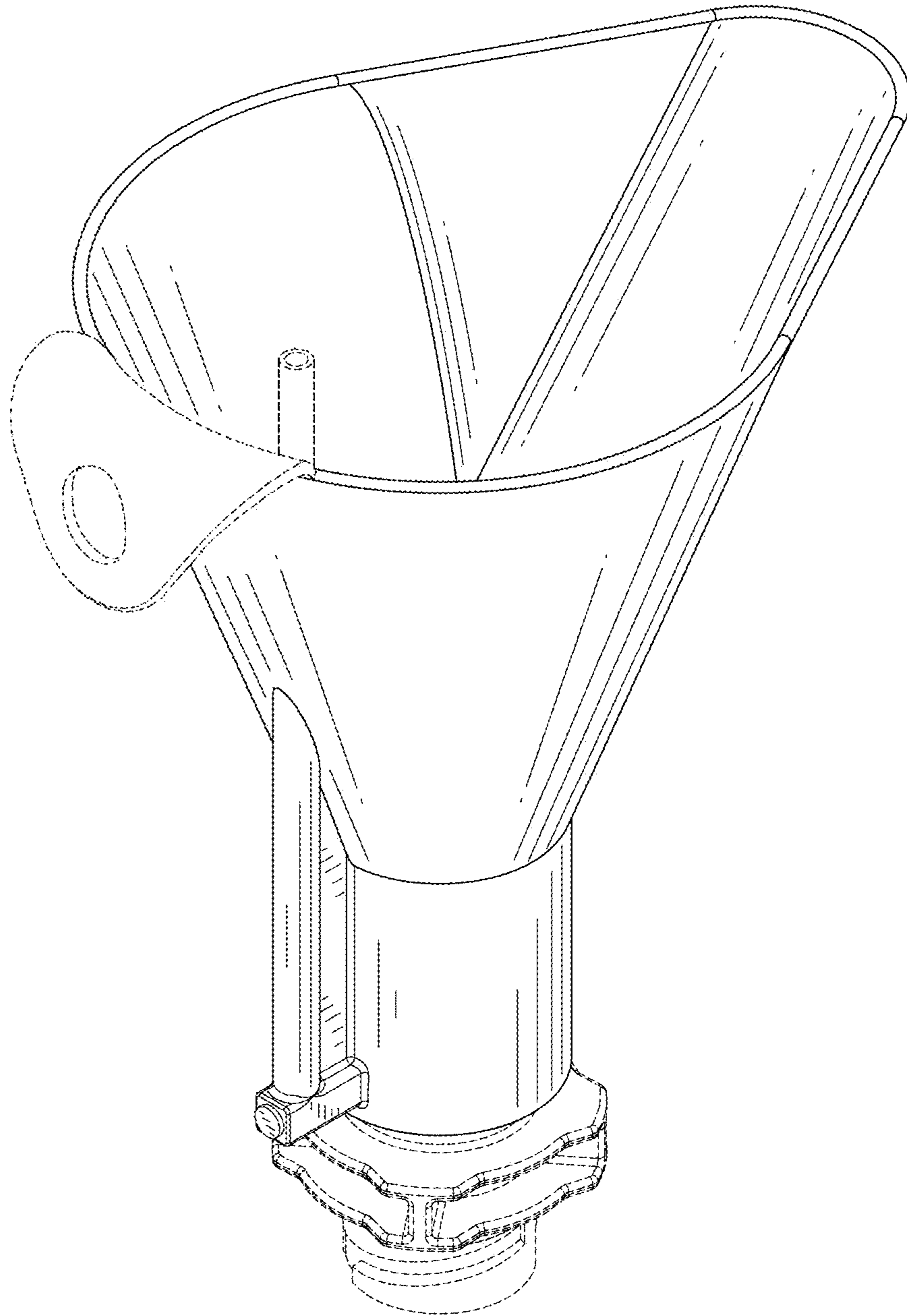


FIG. 9

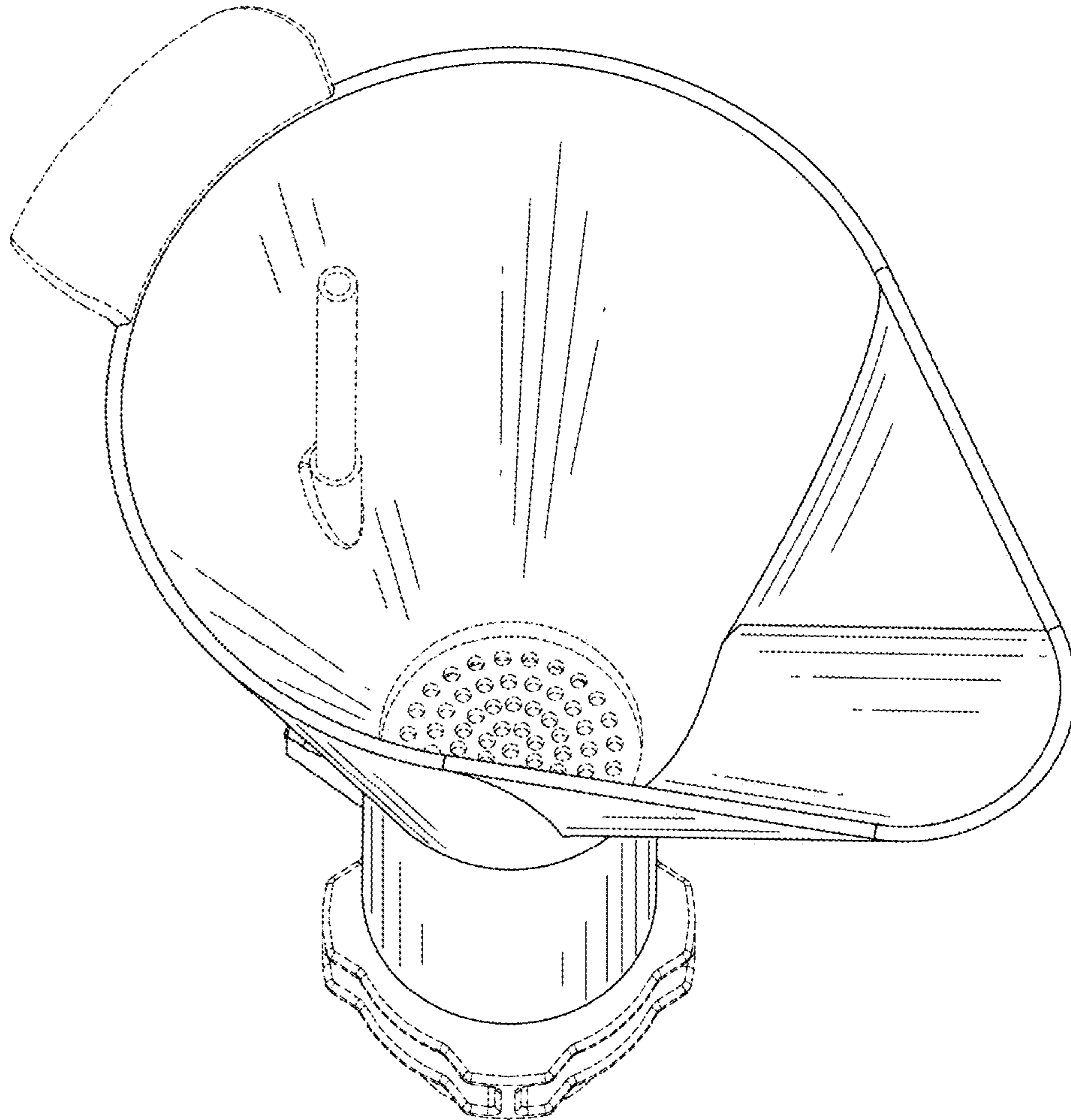


FIG. 10