

US00D871171S

(12) **United States Design Patent** (10) **Patent No.:** **US D871,171 S**  
**Xue** (45) **Date of Patent:** **\*\* Dec. 31, 2019**

(54) **CHOPPING BOARD**

(71) Applicant: **SHENZHEN JINGYUCHENG INDUSTRIAL CO., LTD.**, Shenzhen (CN)

(72) Inventor: **Wenfeng Xue**, Shenzhen (CN)

(\*\*) Term: **15 Years**

(21) Appl. No.: **29/672,416**

(22) Filed: **Dec. 5, 2018**

(30) **Foreign Application Priority Data**

Nov. 23, 2018 (CN) ..... 2018 3 0670742

(51) **LOC (12) Cl.** ..... **07-04**

(52) **U.S. Cl.**  
USPC ..... **D7/698**

(58) **Field of Classification Search**  
USPC ..... D7/543, 549, 550.1, 586, 698-699;  
D32/55-57  
CPC ..... A47J 47/00; A47J 47/005; A47J 47/20;  
A47G 23/06; B26D 7/0006; B26D 7/018;  
B26D 7/20; B23D 21/00; B23K 37/04;  
B23K 37/053; B23Q 16/001  
See application file for complete search history.

(56) **References Cited**

U.S. PATENT DOCUMENTS

3,305,124 A \* 2/1967 Whiteford ..... A47G 23/06  
206/564  
D238,135 S \* 12/1975 Longobardi ..... D7/698

6,359,239 B1 \* 3/2002 Missler ..... A47J 47/005  
177/177  
D587,539 S \* 3/2009 Almeda ..... D7/698  
D591,568 S \* 5/2009 Grabowski ..... D7/698  
D655,939 S \* 3/2012 Tracy ..... D7/698  
D700,024 S \* 2/2014 Murison ..... D7/698  
2005/0039607 A1 \* 2/2005 Comfield ..... A47J 47/005  
99/324

\* cited by examiner

*Primary Examiner* — Ricky Pham

(74) *Attorney, Agent, or Firm* — Andrew C. Cheng

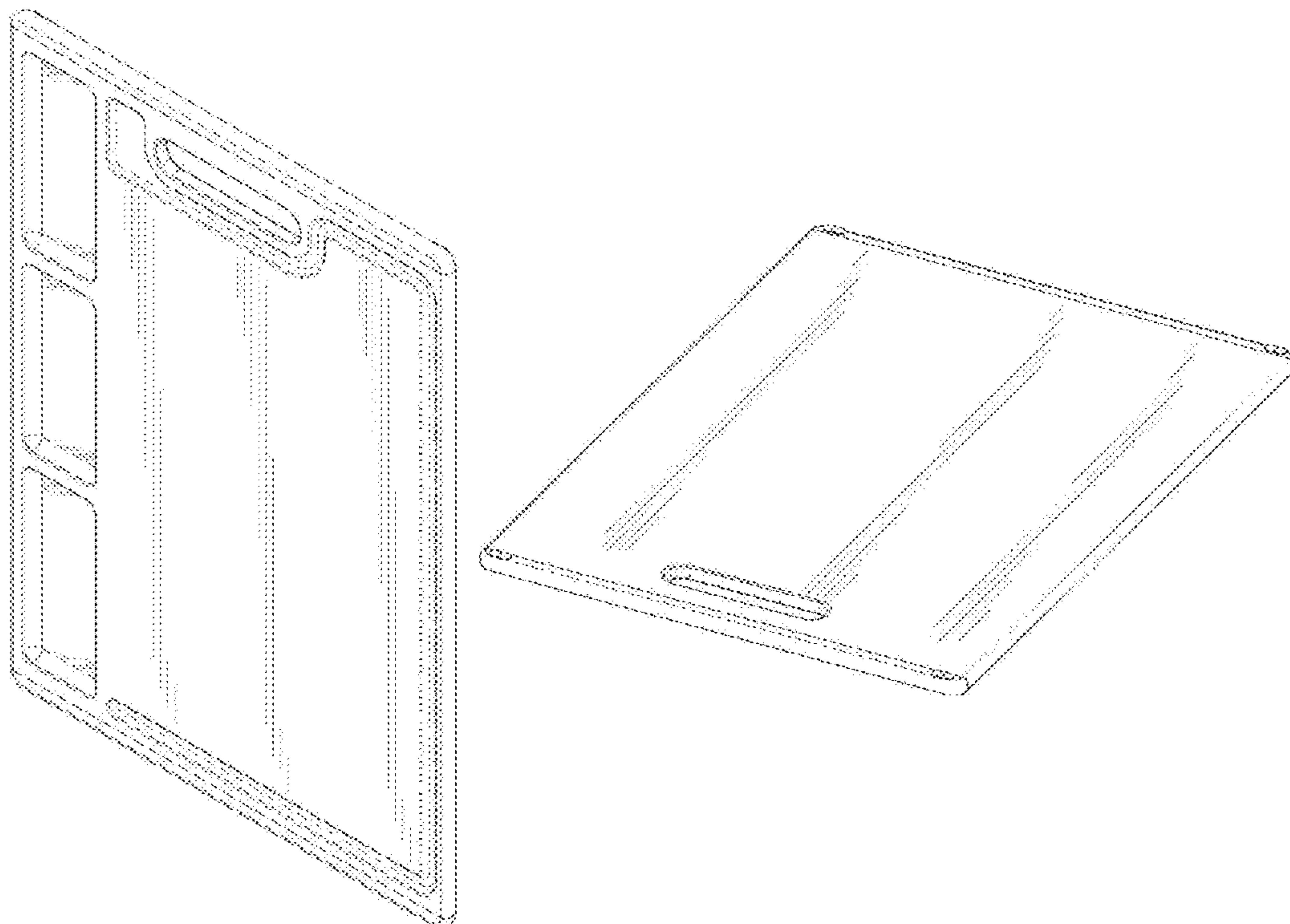
(57) **CLAIM**

The ornamental design for a chopping board, as shown and described.

**DESCRIPTION**

FIG. 1 is a perspective view of a chopping board showing my new design;  
FIG. 2 is another perspective view thereof;  
FIG. 3 is a front view thereof;  
FIG. 4 is a rear view thereof;  
FIG. 5 is a left side view thereof;  
FIG. 6 is a right side view thereof;  
FIG. 7 is a top plan view thereof; and,  
FIG. 8 is a bottom plan view thereof.  
The broken lines are for the purposes of illustrating portions of the chopping board and form no part of the claimed design.

**1 Claim, 8 Drawing Sheets**



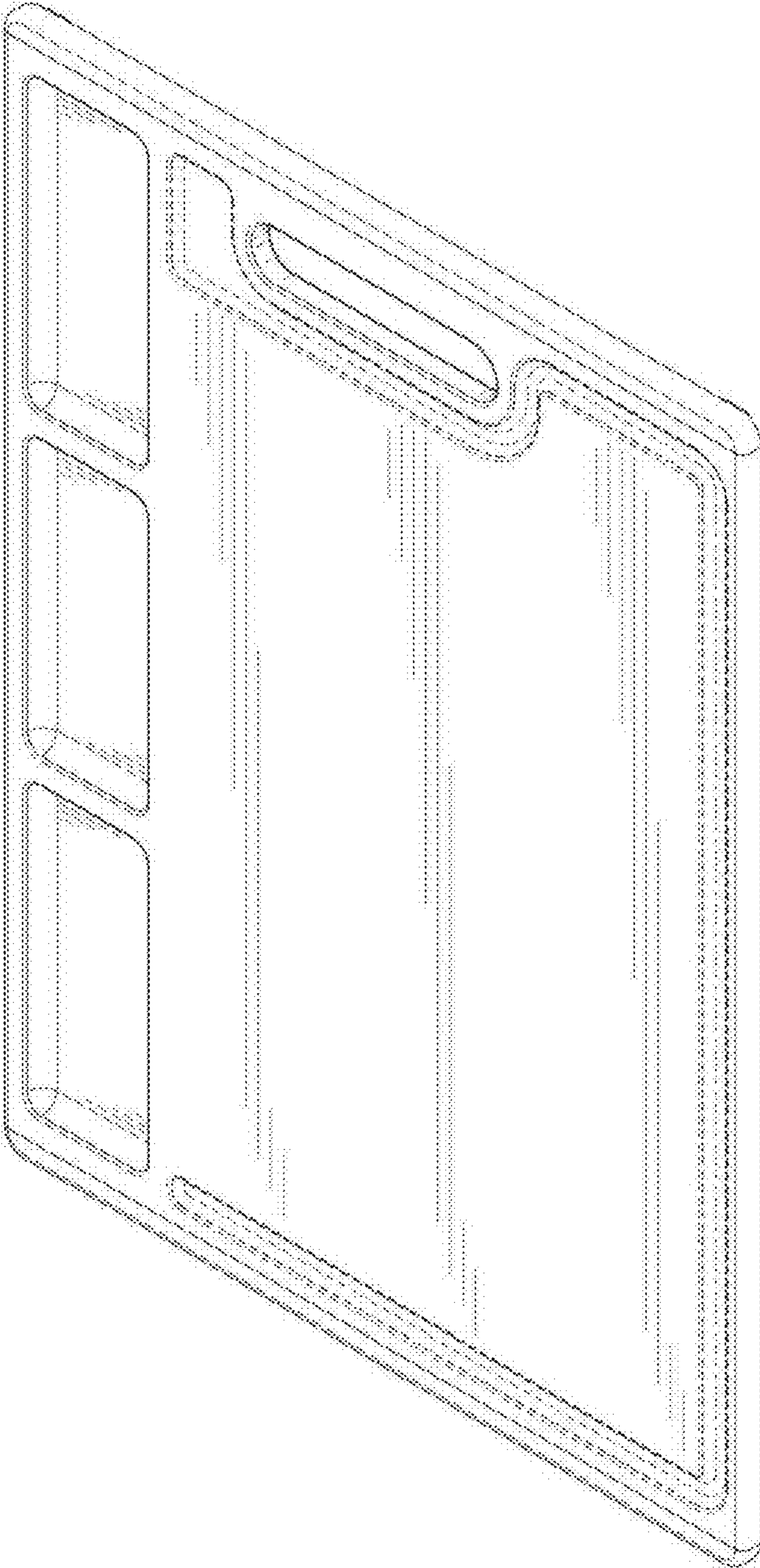


Fig. 1

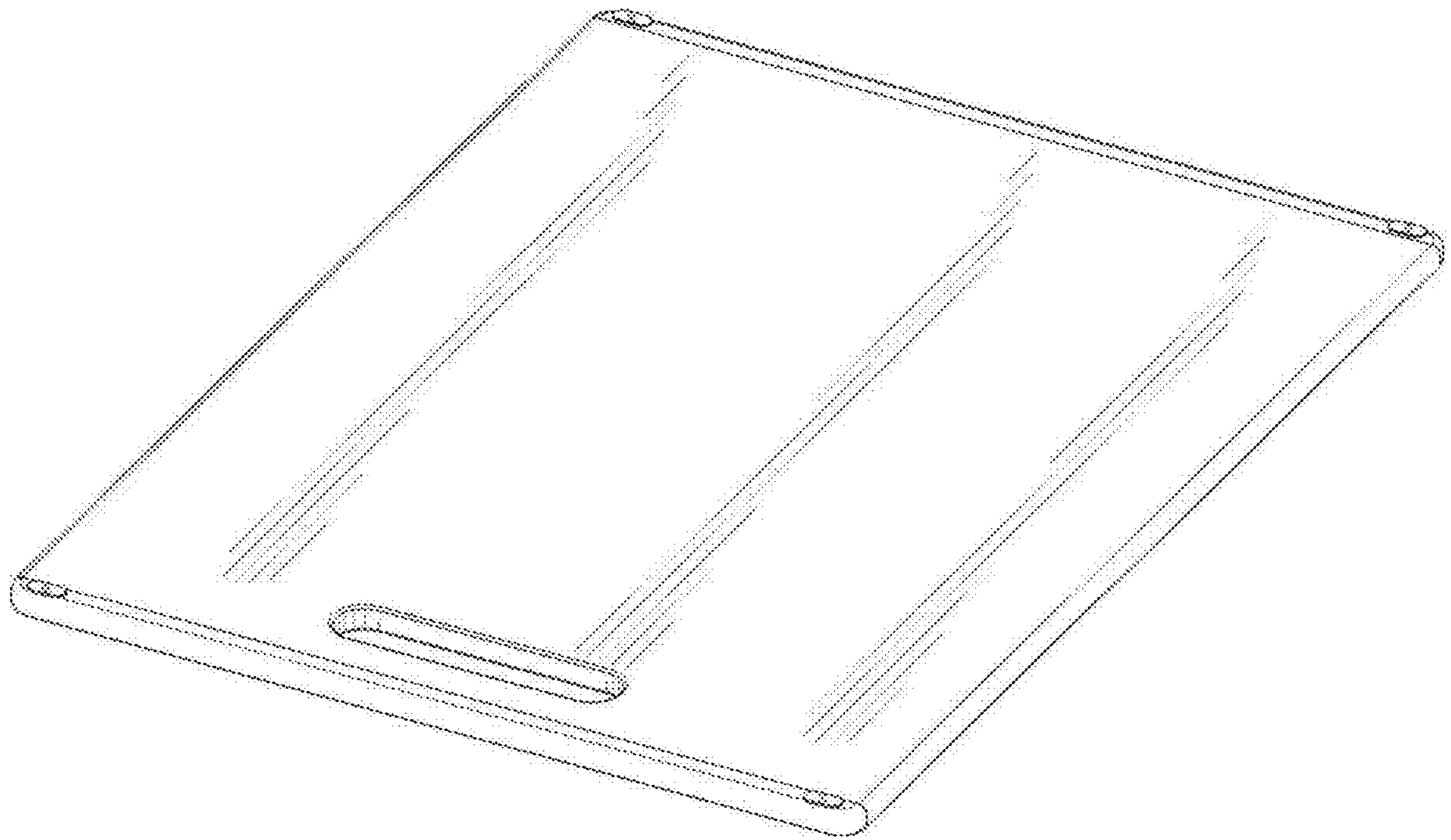


Fig. 2



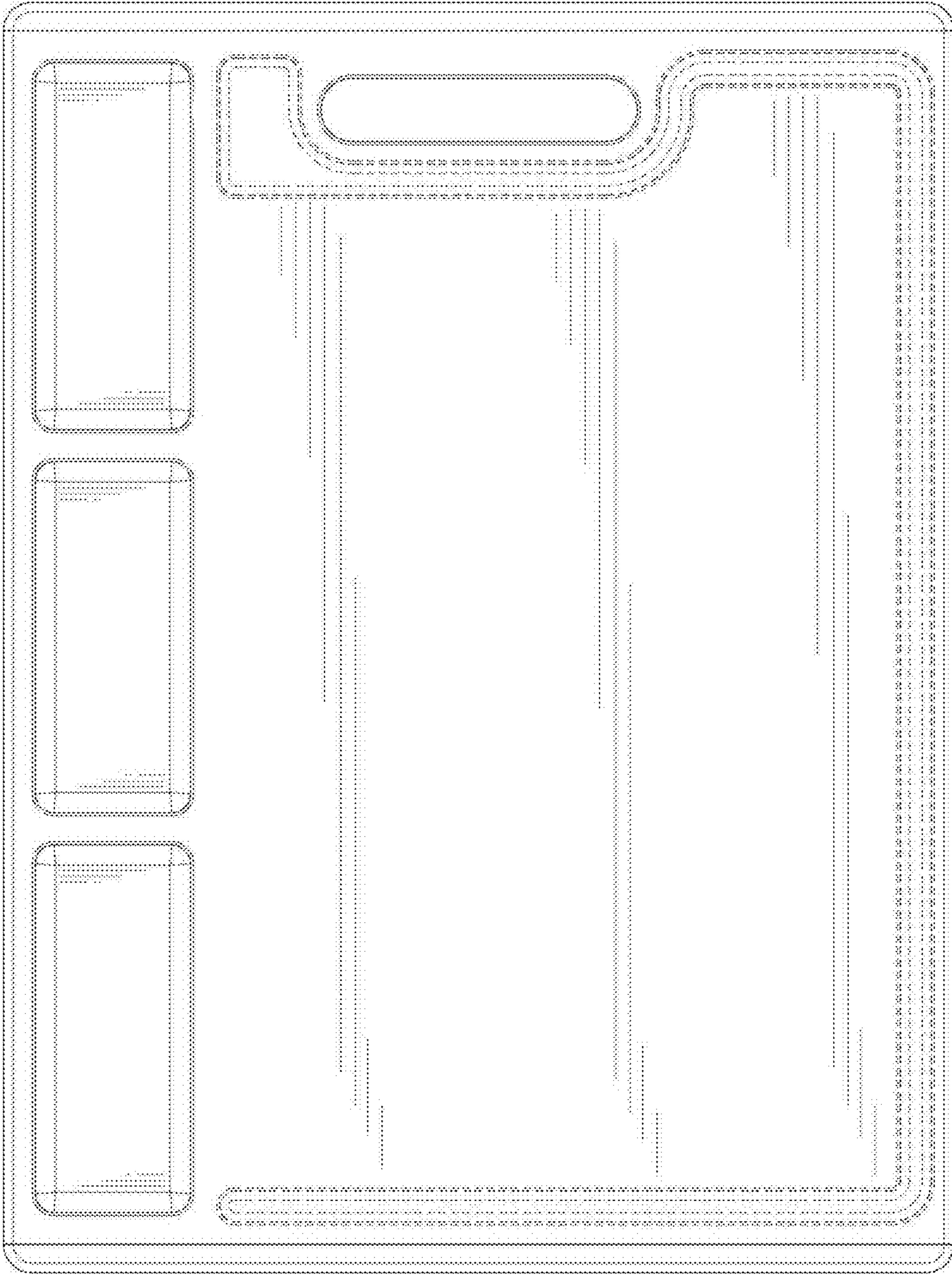


Fig. 3

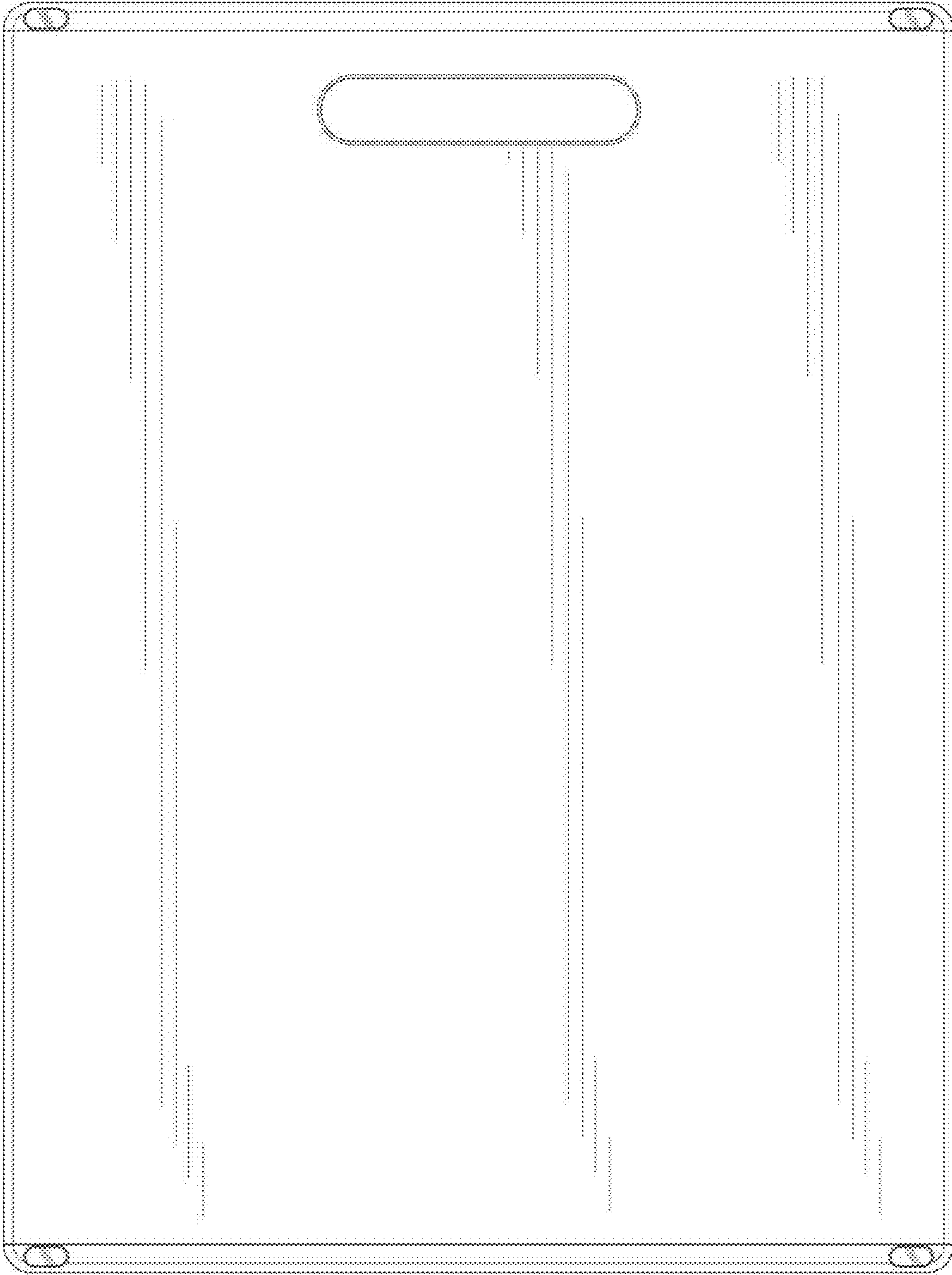


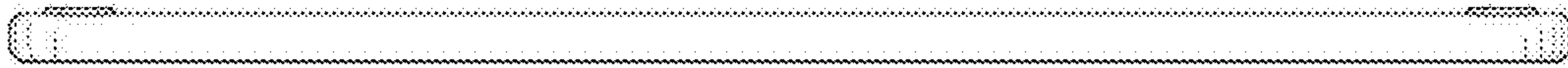
Fig. 4



**Fig. 5**

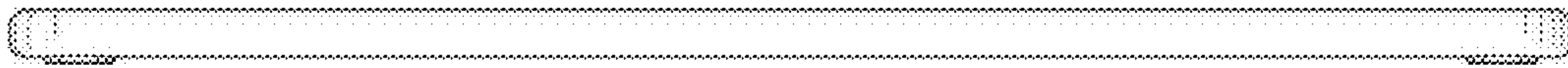


Fig. 6



**Fig. 7**





**Fig. 8**