



US00D871170S

(12) **United States Design Patent** (10) **Patent No.:** **US D871,170 S**
Kim et al. (45) **Date of Patent:** **** Dec. 31, 2019**

(54) **DRUM HOUSING FOR A JUICE EXTRACTOR**

(71) Applicant: **HUROM CO., LTD.**,
Gyeongsangnam-Do (KR)

(72) Inventors: **Young Ki Kim**, Gimhae-si (KR);
Sanghoon Park, Gimhae-si (KR)

(73) Assignee: **HUROM CO., LTD.**, Gimhae-si (KR)

(**) Term: **15 Years**

(21) Appl. No.: **35/505,465**

(22) Filed: **Feb. 8, 2018**

(80) **Hague Agreement Data**

Int. Filing Date: **Feb. 8, 2018**
Int. Reg. No.: **DM/100425**
Int. Reg. Date: **Feb. 8, 2018**
Int. Reg. Pub. Date: **Aug. 10, 2018**

(30) **Foreign Application Priority Data**

Jan. 18, 2018 (KR) 30-2018-0003126

(51) **LOC (12) Cl.** **31-00**

(52) **U.S. Cl.**
USPC **D7/665**

(58) **Field of Classification Search**

USPC D7/368, 372, 376-382, 412, 665, 666
CPC A47J 19/00; A47J 19/06; A47J 19/027;
A47J 19/02; A23N 1/00

See application file for complete search history.

(56) **References Cited**

U.S. PATENT DOCUMENTS

D684,827 S * 6/2013 Kim D7/665
D698,210 S * 1/2014 Lavy D7/665

D718,094 S * 11/2014 Yan D7/665
D718,985 S * 12/2014 Yan D7/665
D744,792 S * 12/2015 Kim D7/665
D760,552 S * 7/2016 Kim D7/665
D762,424 S * 8/2016 Kim D7/665
D764,241 S * 8/2016 Lee D7/665
D834,383 S * 11/2018 Bazzicalupo D7/665
2006/0060091 A1 * 3/2006 Chang A47J 19/027
99/511
2012/0291638 A1 * 11/2012 Kim A47J 19/027
99/501
2017/0280912 A1 * 10/2017 Han A47J 43/07
2019/0008307 A1 * 1/2019 Kim A47J 19/02

* cited by examiner

Primary Examiner — Sheryl Lane

Assistant Examiner — Nicole C Shiflet

(74) *Attorney, Agent, or Firm* — Lex IP Meister, PLLC

(57) **CLAIM**

The ornamental design for a drum housing for a juice extractor, as shown and described.

DESCRIPTION

1. Drum housing for a juice extractor

1.1 Perspective view

1.2 : Front view

1.3 : Back view

1.4 : Left view

1.5 : Right view

1.6 : Top view

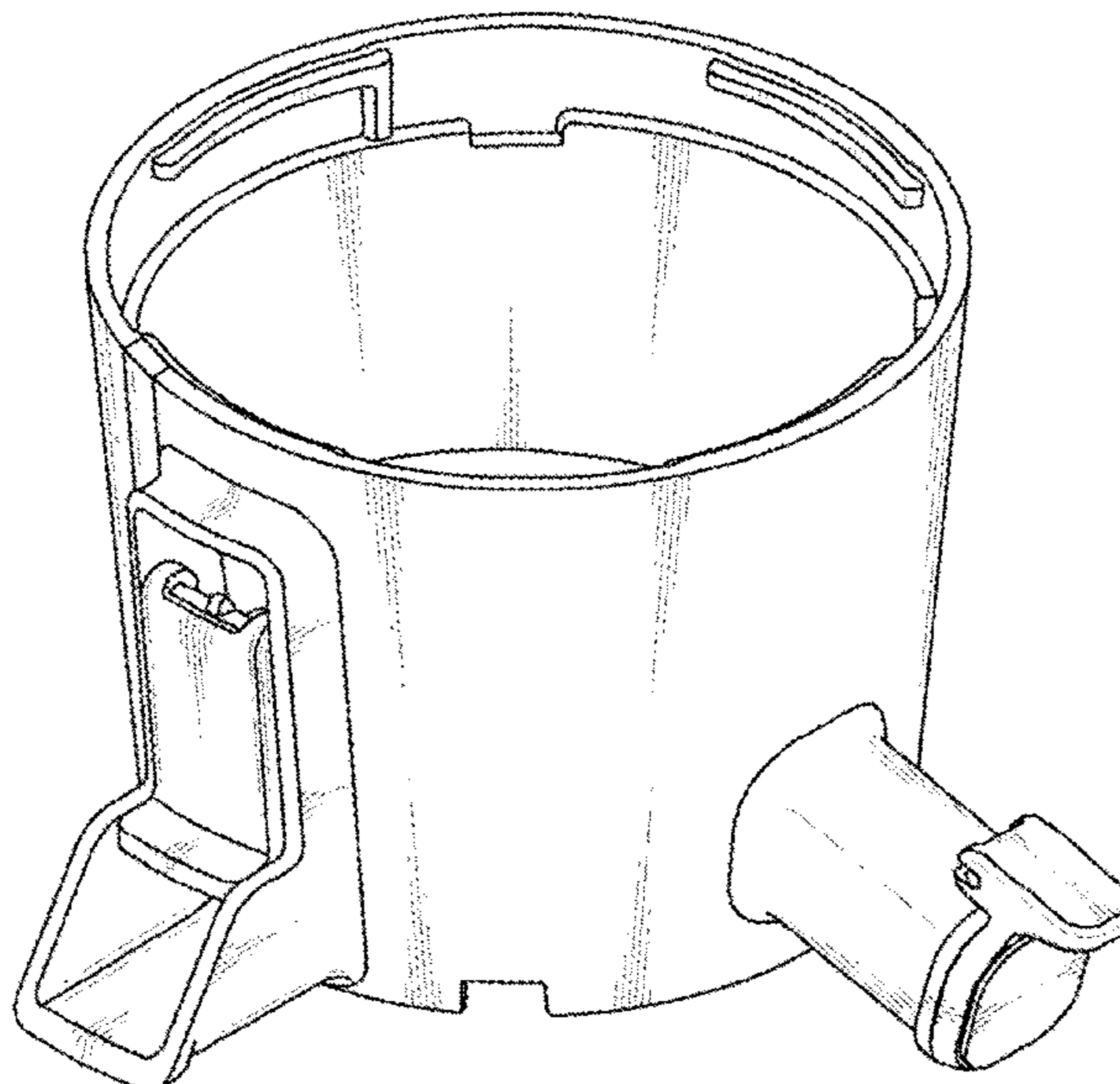
1.7 : Bottom view

1.8 : Cross-sectional view

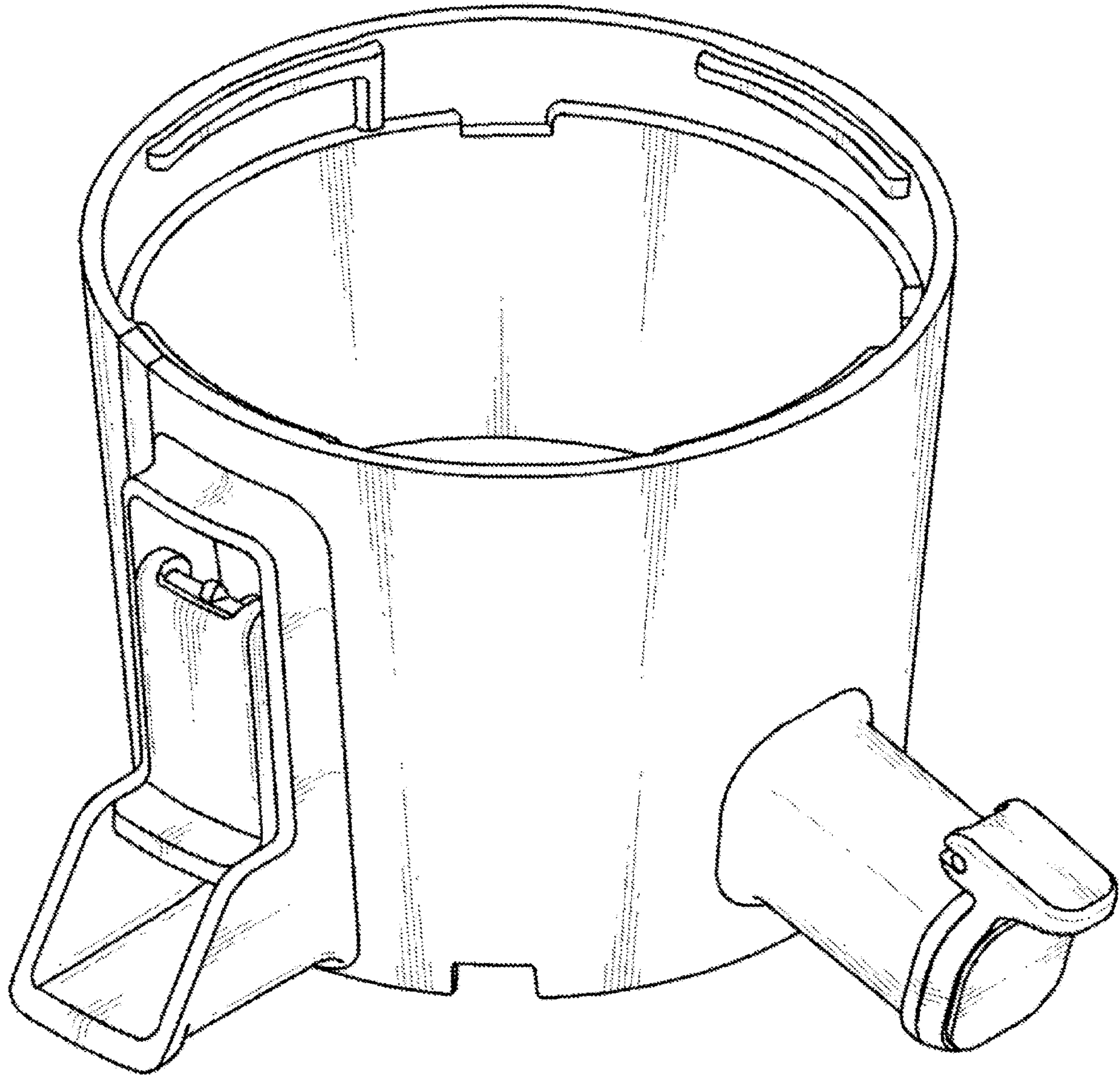
1.9 : Reference view

Drawing 1.8 is a cross-sectional view taken along 1.8-1.8 of drawing 1.6. Drawing 1.9 is a reference view showing the state that the claimed design is assembled in a juice extractor, and the broken line showing environment forms no part of the claimed design.

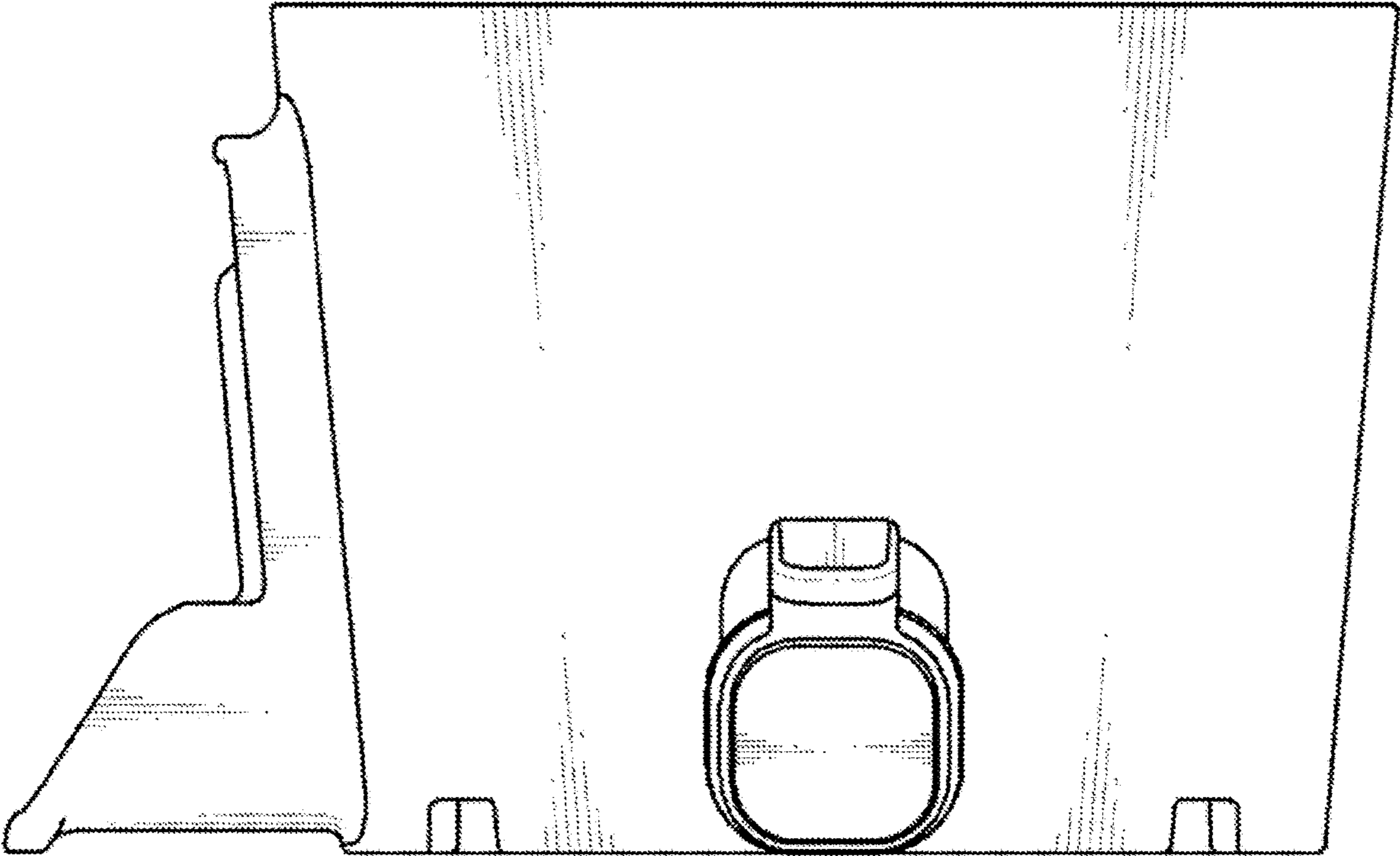
1 Claim, 9 Drawing Sheets



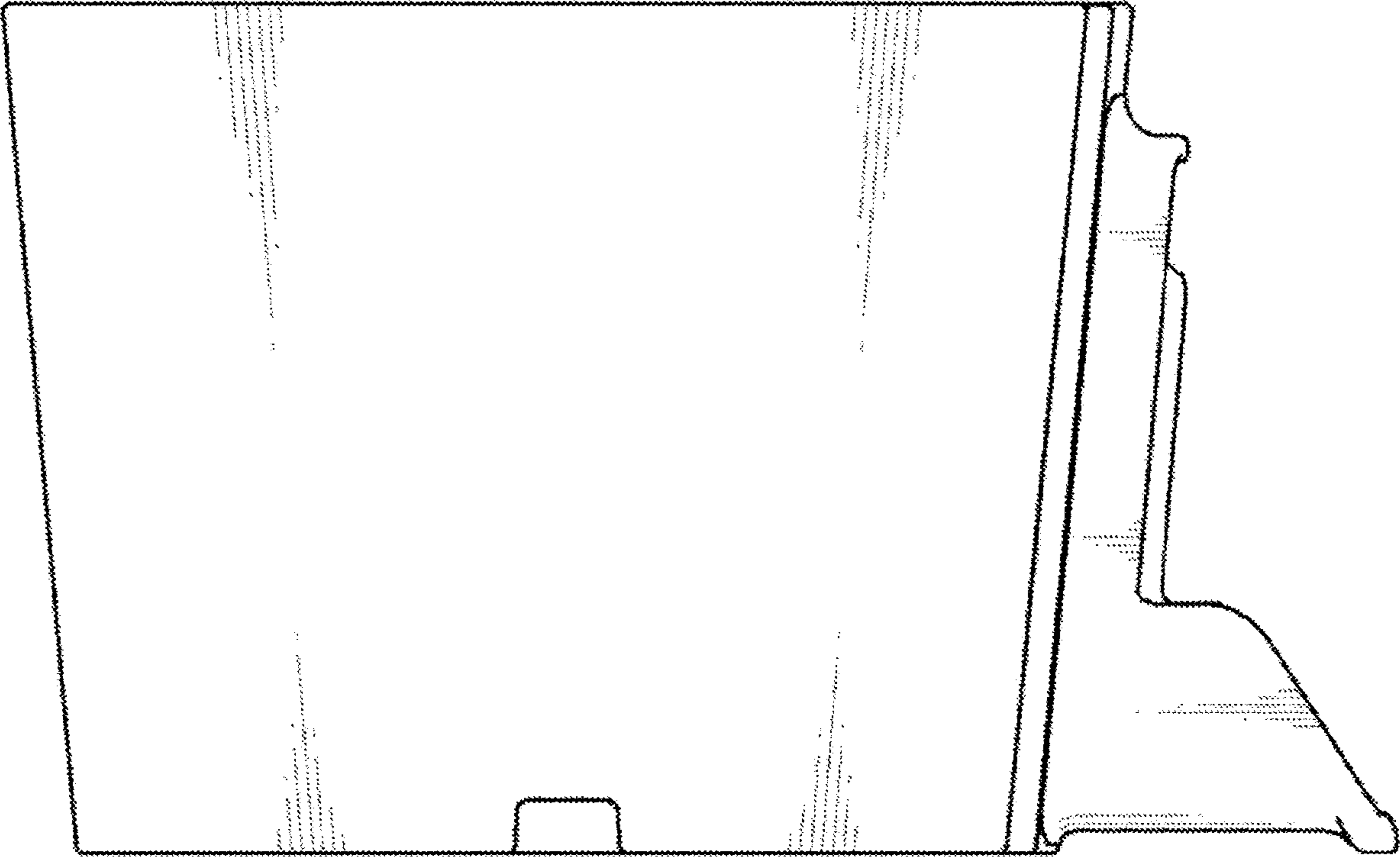
1.1



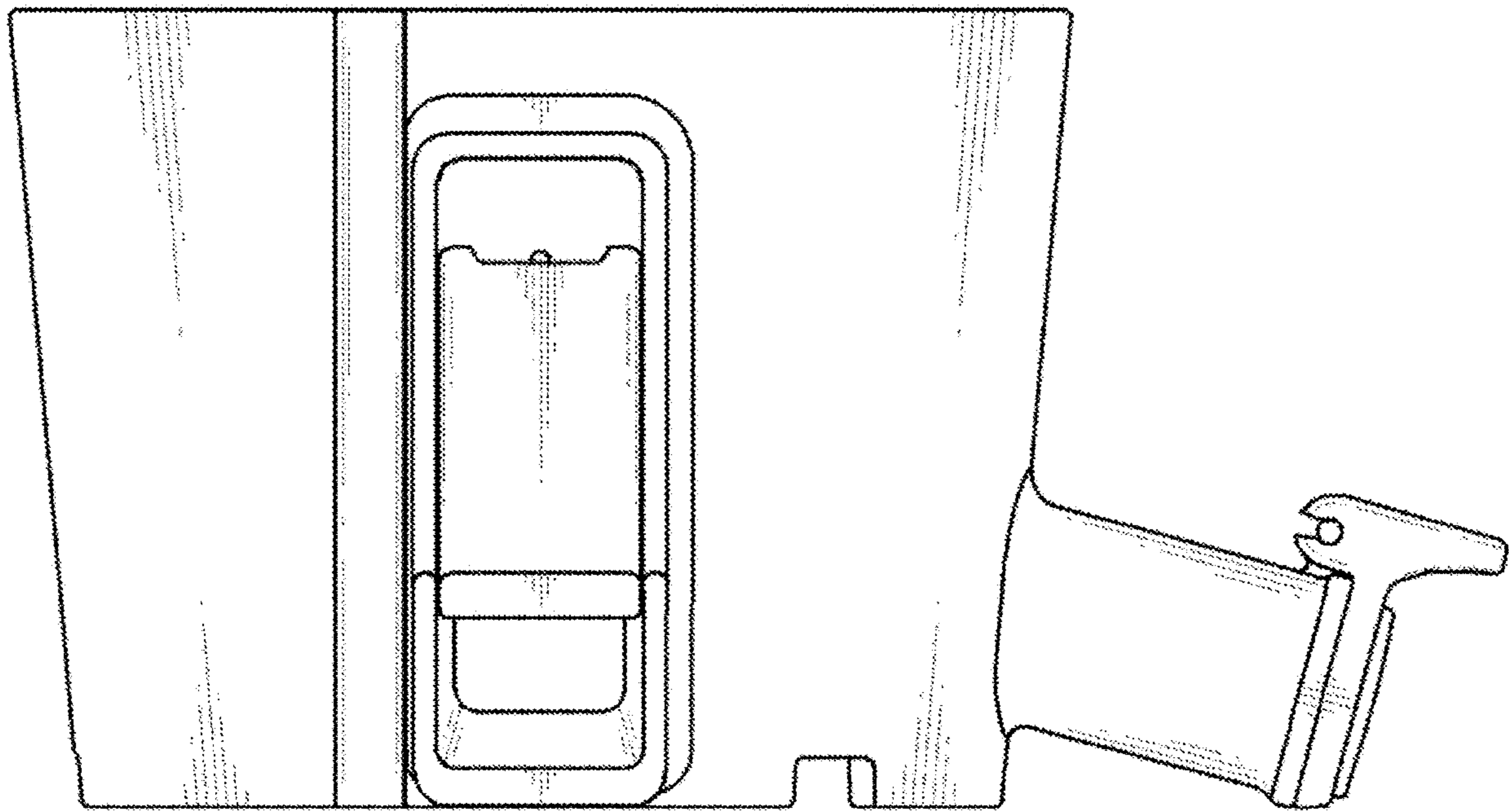
1.2



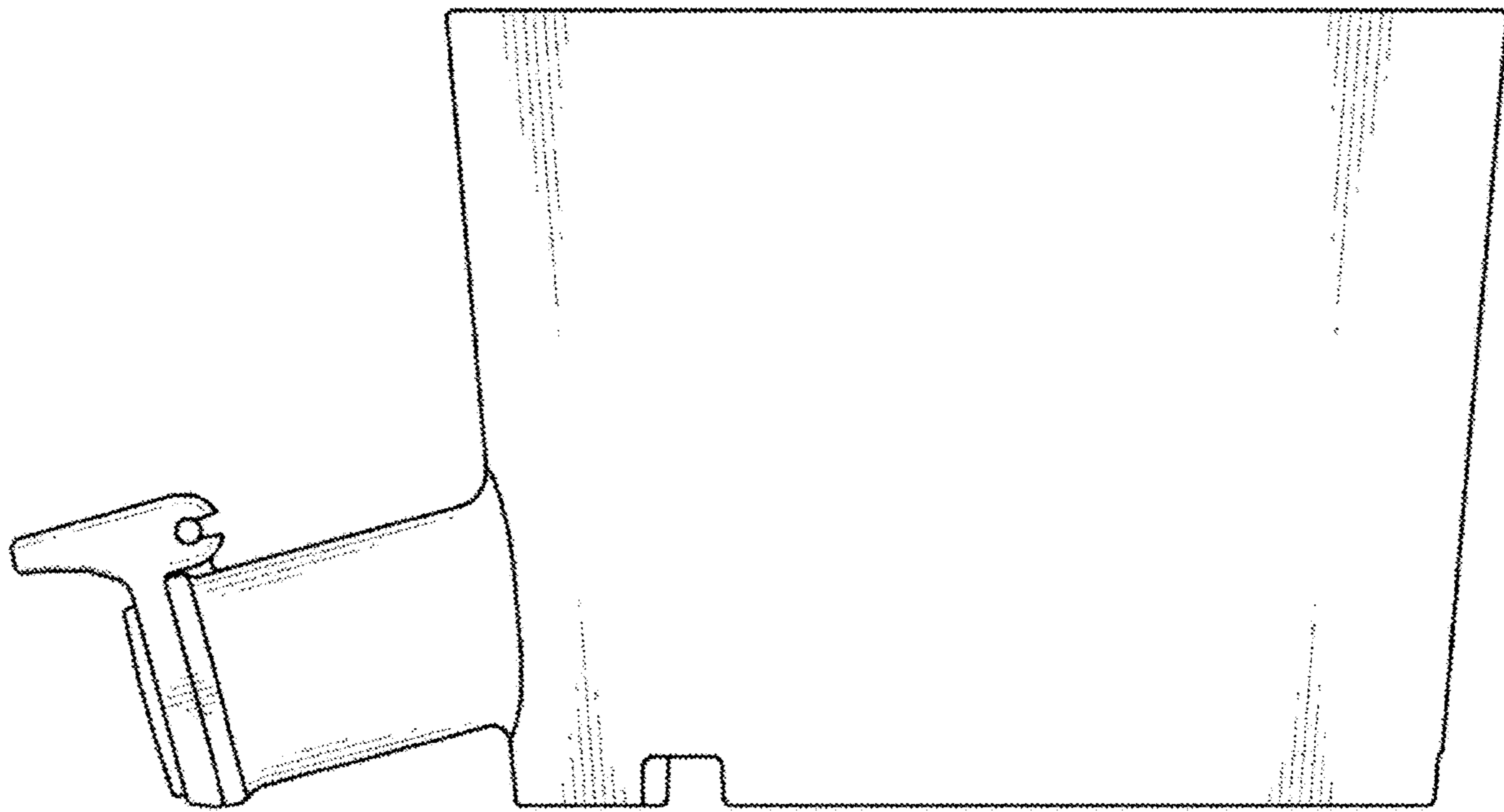
1.3



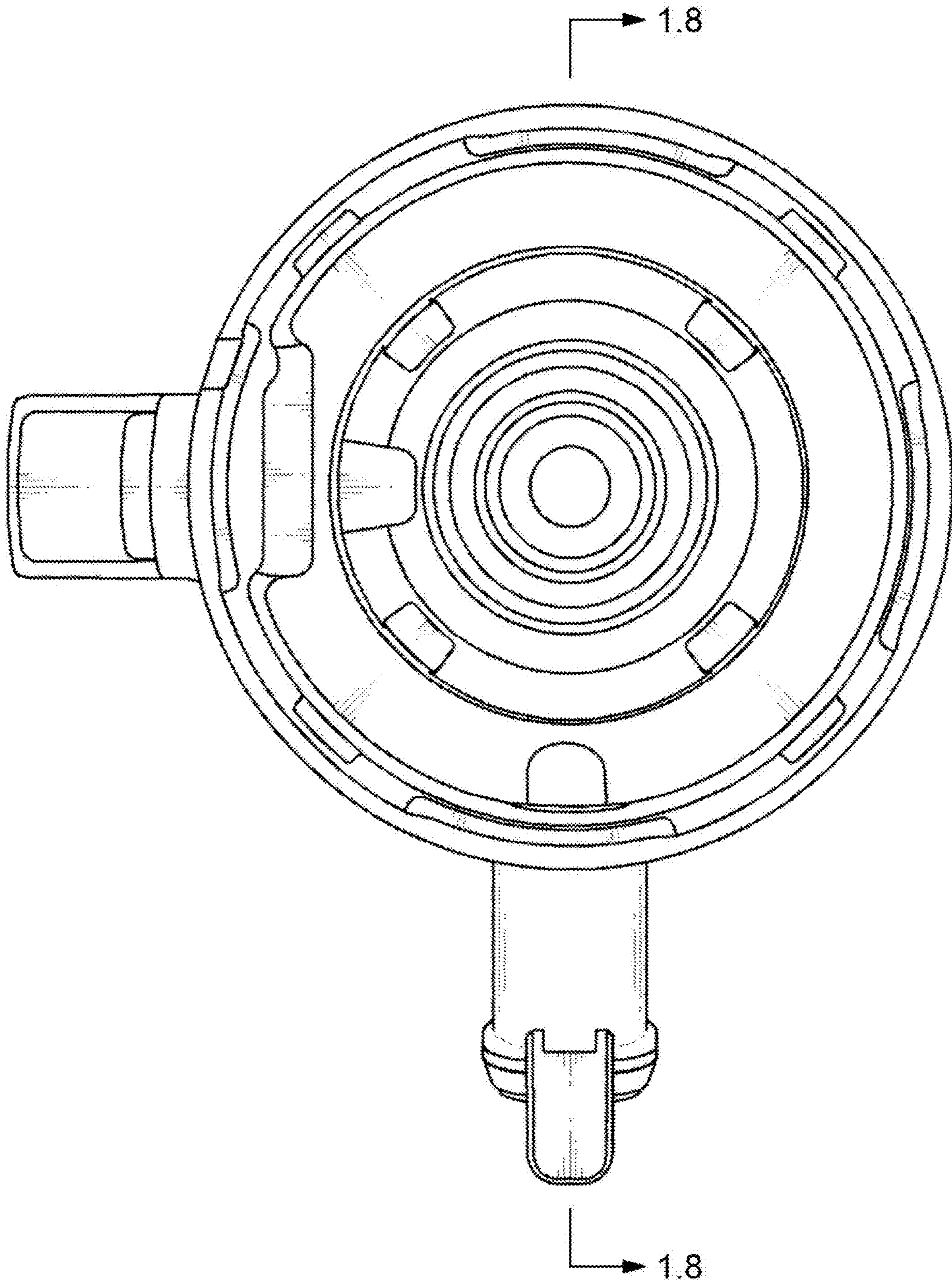
1.4



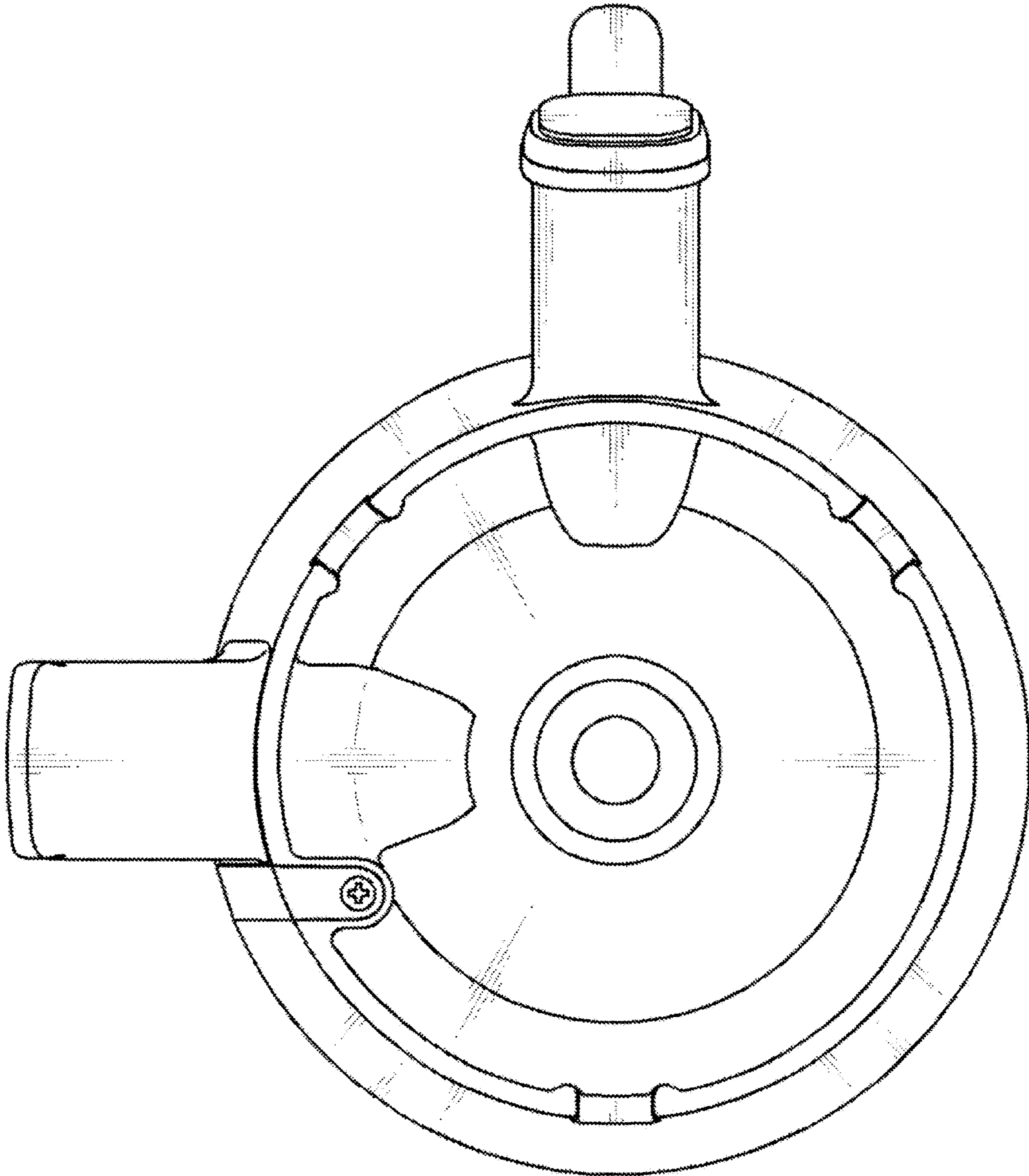
1.5



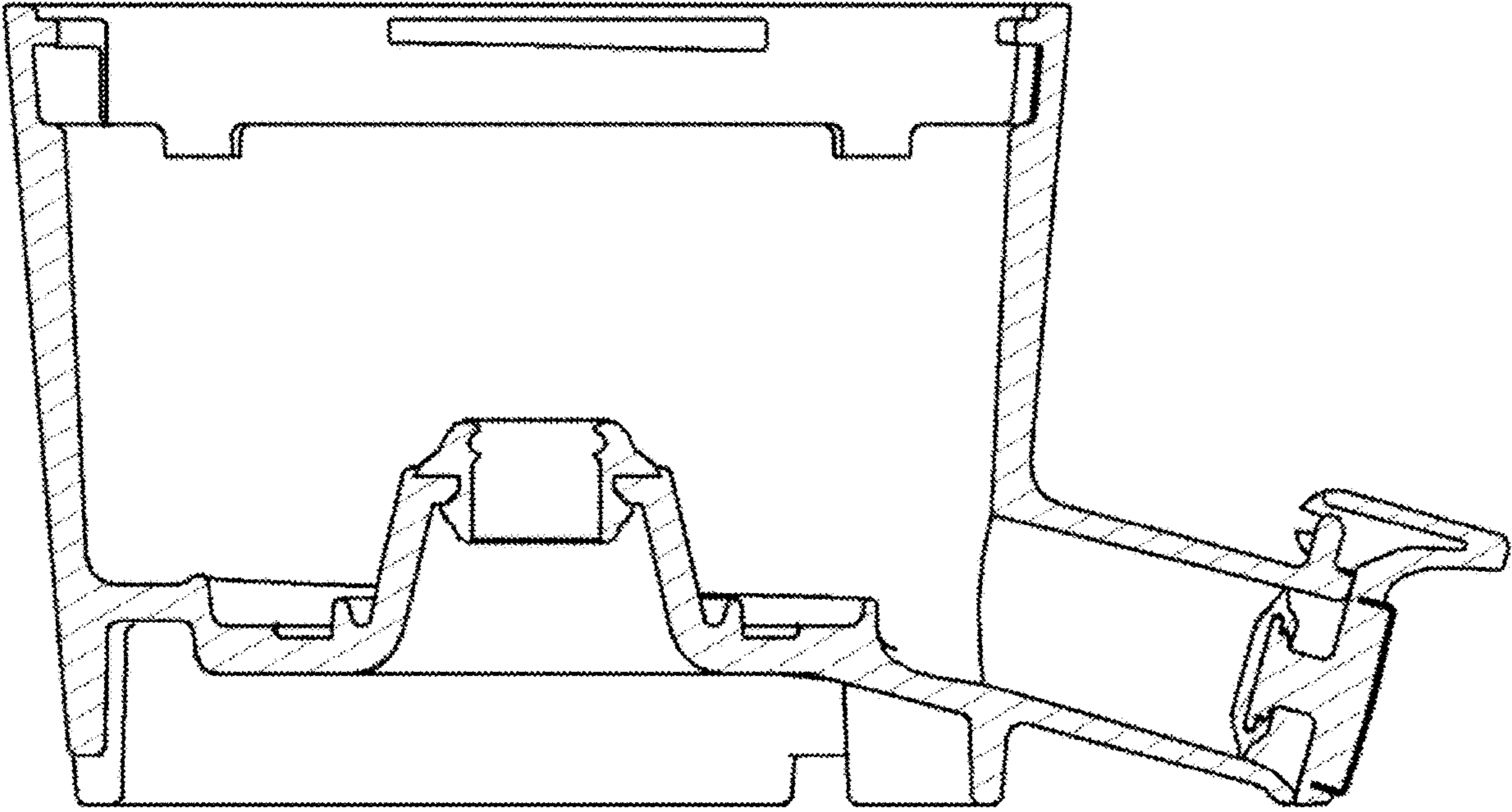
1.6



1.7



1.8



1.9

