



US00D871166S

(12) **United States Design Patent**
DeBoer

(10) **Patent No.:** **US D871,166 S**

(45) **Date of Patent:** **** Dec. 31, 2019**

(54) **COMBINATION COASTER AND DISPLAY CASE**

D339,830 S * 9/1993 Adell D21/371
7,264,134 B2 * 9/2007 Tulp A47G 23/0216
220/739
9,254,053 B2 * 2/2016 Arzumanyan G09F 23/08

(71) Applicant: **RLRD, LLC**, Chicago, IL (US)

* cited by examiner

(72) Inventor: **Ryan DeBoer**, Chicago, IL (US)

Primary Examiner — Terry A Wallace

(73) Assignee: **RLRD, LLC**, Chicago, IL (US)

(74) *Attorney, Agent, or Firm* — Richards Patent Law P.C.

(**) Term: **15 Years**

(21) Appl. No.: **29/690,028**

(57) **CLAIM**

(22) Filed: **May 3, 2019**

The ornamental design for a combination coaster and display case, as shown and described.

Related U.S. Application Data

(62) Division of application No. 29/615,494, filed on Aug. 29, 2017, now Pat. No. Des. 848,224.

DESCRIPTION

(51) **LOC (12) Cl.** **07-06**

(52) **U.S. Cl.**
USPC **D7/624.1**

(58) **Field of Classification Search**
USPC D7/619.1–625, 701–708; D9/455, 444
CPC .. A47G 23/032; A47G 23/03; A47G 19/2283;
A47G 21/16; A47G 23/0216; A47G
23/0608; A47G 23/0225; A47G 23/06;
B65D 23/065; B65D 25/00; B65D 25/04;
A47K 1/08; B60N 3/103; A47B 13/16;
G09F 23/08

FIG. 1 is an isometric view of a combination coaster and display case showing my new design;
FIG. 2 is a front view of the combination coaster and display case of FIG. 1, identical to a rear view;
FIG. 3 is a right-side view of the combination coaster and display case of FIG. 1, identical to a left-side view;
FIG. 4 is a plan view of the combination coaster and display case of FIG. 1;
FIG. 5 is a bottom plan view of the combination coaster and display case of FIG. 1; and,
FIG. 6 is an exploded view of the combination coaster and display case of FIG. 1, illustrating one or more inserts of varying thickness used within.
Those portions of the figures that are presented in broken lines merely illustrate the environment of the design and are not part of the claimed design.

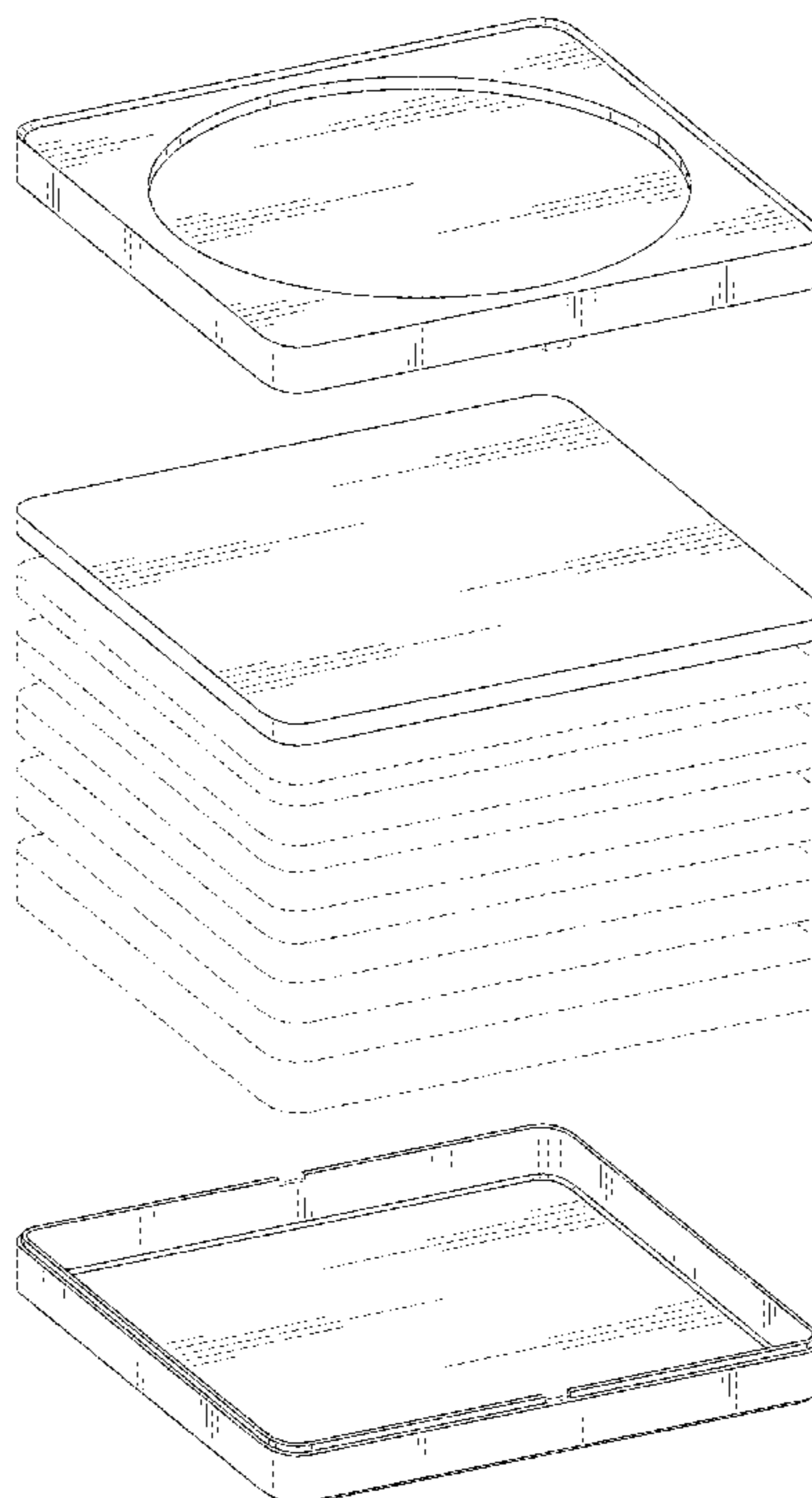
See application file for complete search history.

(56) **References Cited**

U.S. PATENT DOCUMENTS

D234,899 S * 4/1975 Svensson D7/625
D236,577 S * 9/1975 Press D7/624.1

1 Claim, 3 Drawing Sheets



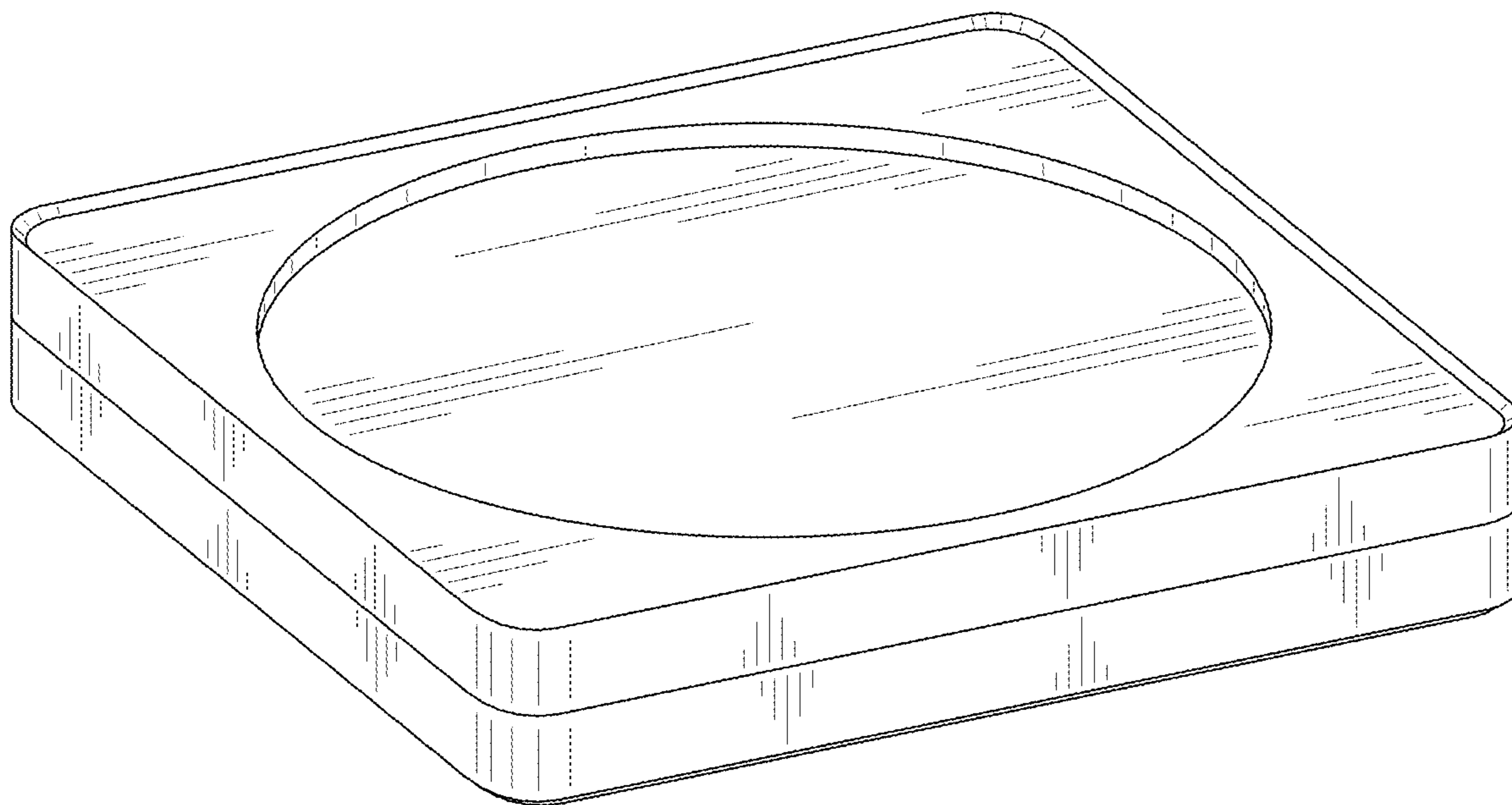


FIG. 1

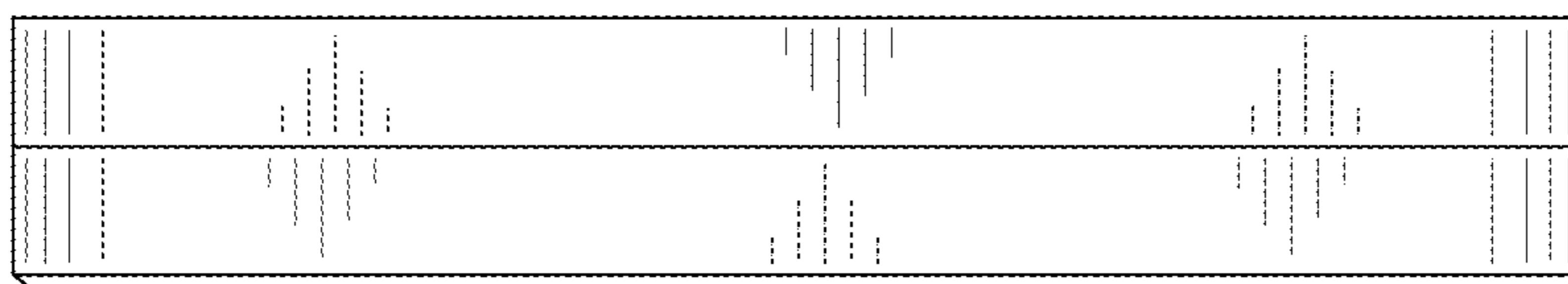


FIG. 2

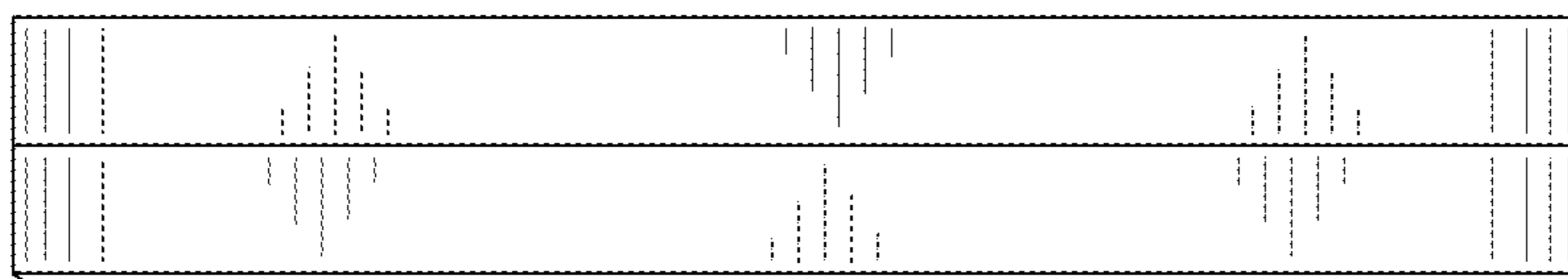


FIG. 3

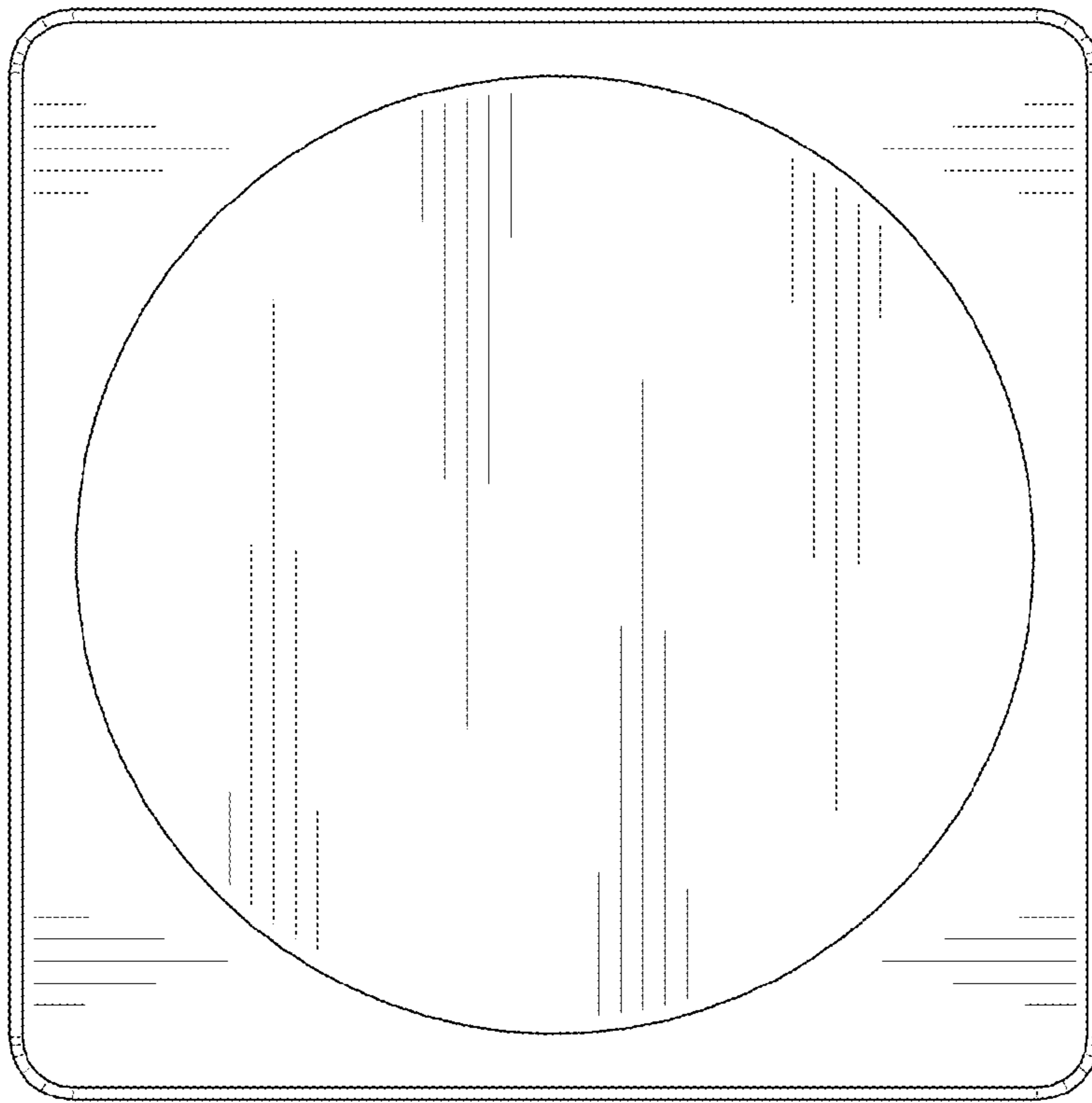


FIG. 4

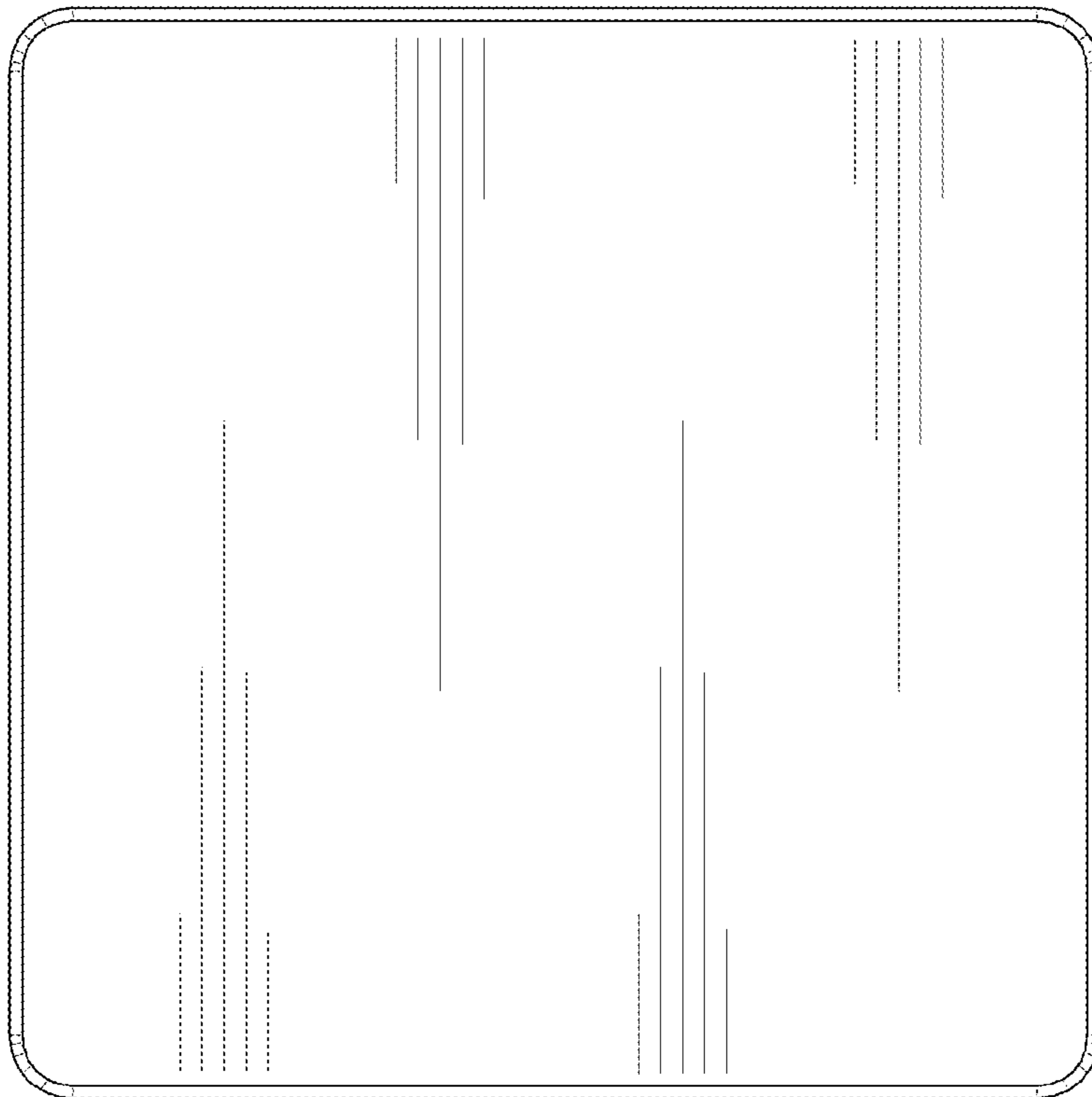


FIG. 5

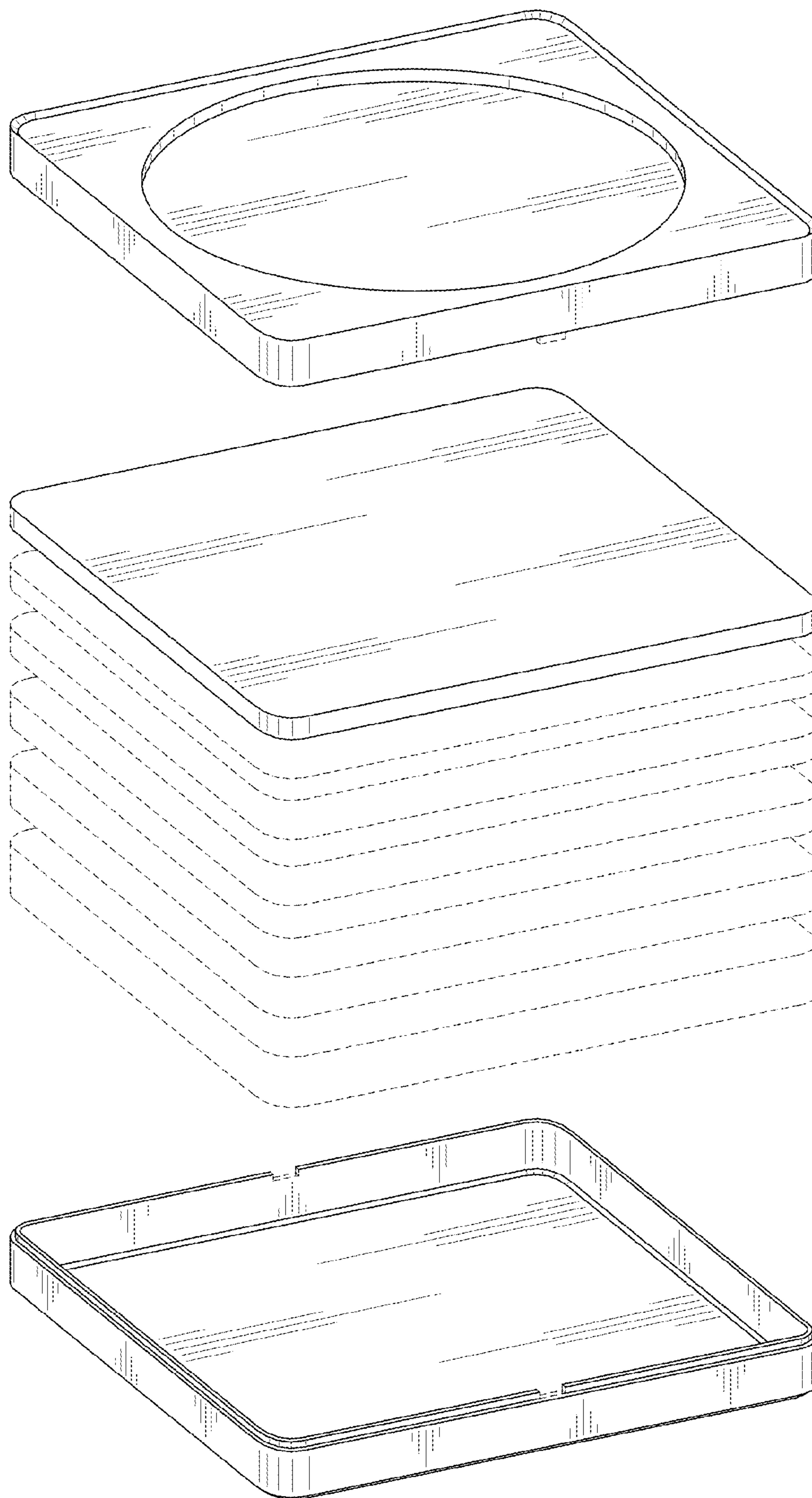


FIG. 6