



US00D871163S

(12) **United States Design Patent** (10) **Patent No.:** **US D871,163 S**  
**Jacobsen** (45) **Date of Patent:** **\*\* Dec. 31, 2019**

(54) **BACKPACK COOLER**

(71) Applicant: **RTIC IP, LLC**, Houston, TX (US)

(72) Inventor: **James Matthew Jacobsen**, Houston, TX (US)

(73) Assignee: **RTIC IP, LLC**, Houston, TX (US)

(\*\*) Term: **15 Years**

(21) Appl. No.: **29/662,422**

(22) Filed: **Sep. 5, 2018**

(51) **LOC (12) Cl.** ..... **07-01**

(52) **U.S. Cl.**

USPC ..... **D7/607**; D3/216

(58) **Field of Classification Search**

USPC ..... D7/603–608, 709, 710; D3/216, 283, D3/287, 289, 233, 267, 268, 273, 276, D3/315, 318

CPC ..... F25D 2331/801; F25D 2331/804; F25D 3/08; F25D 3/06; F25D 23/12; B65D 30/08; B65D 30/22; B65D 81/3858; B65D 81/3823; B65D 81/3888; B65D 81/3897; B65D 81/18; B65D 31/04; B65D 69/00; B65D 8/18; A45C 11/20; A45C 13/02;

(Continued)

(56) **References Cited**

**U.S. PATENT DOCUMENTS**

4,767,039 A \* 8/1988 Jacober ..... A45C 11/20  
224/153  
6,092,661 A \* 7/2000 Mogil ..... A63B 55/408  
150/106

(Continued)

**OTHER PUBLICATIONS**

‘Amazon.com’ [online]. “Fatboy Kayak and Canoe Backpack Soft Cooler, Cardinal Red,” Published on or before Aug. 21, 2018, Retrieved from the Internet: URL<<https://www.amazon.com/Fatboy->

Kayak-Backpack-Cooler-Cardinal/dp/B01LXG2867/ref=sr\_1\_121?keywords=backpack+cooler&qid=1553190300&s=gateway&sr=8-121>. 5 pages.

(Continued)

*Primary Examiner* — Terry A Wallace

(74) *Attorney, Agent, or Firm* — Fish & Richardson P.C.

(57) **CLAIM**

The ornamental design for a backpack cooler, as shown and described.

**DESCRIPTION**

FIG. 1 is a perspective view of a backpack cooler showing my new design in a closed position.

FIG. 2 is a top view thereof.

FIG. 3 is a bottom view thereof.

FIG. 4 is a front view thereof.

FIG. 5 is a rear view thereof.

FIG. 6 is a right side view thereof.

FIG. 7 is a left side view thereof.

FIG. 8 is a perspective view of a backpack cooler showing my new design in an opened position.

FIG. 9 is a top view thereof.

FIG. 10 is a bottom view thereof.

FIG. 11 is a front view thereof.

FIG. 12 is a rear view thereof.

FIG. 13 is a right side view thereof; and,

FIG. 14 is a left side view thereof.

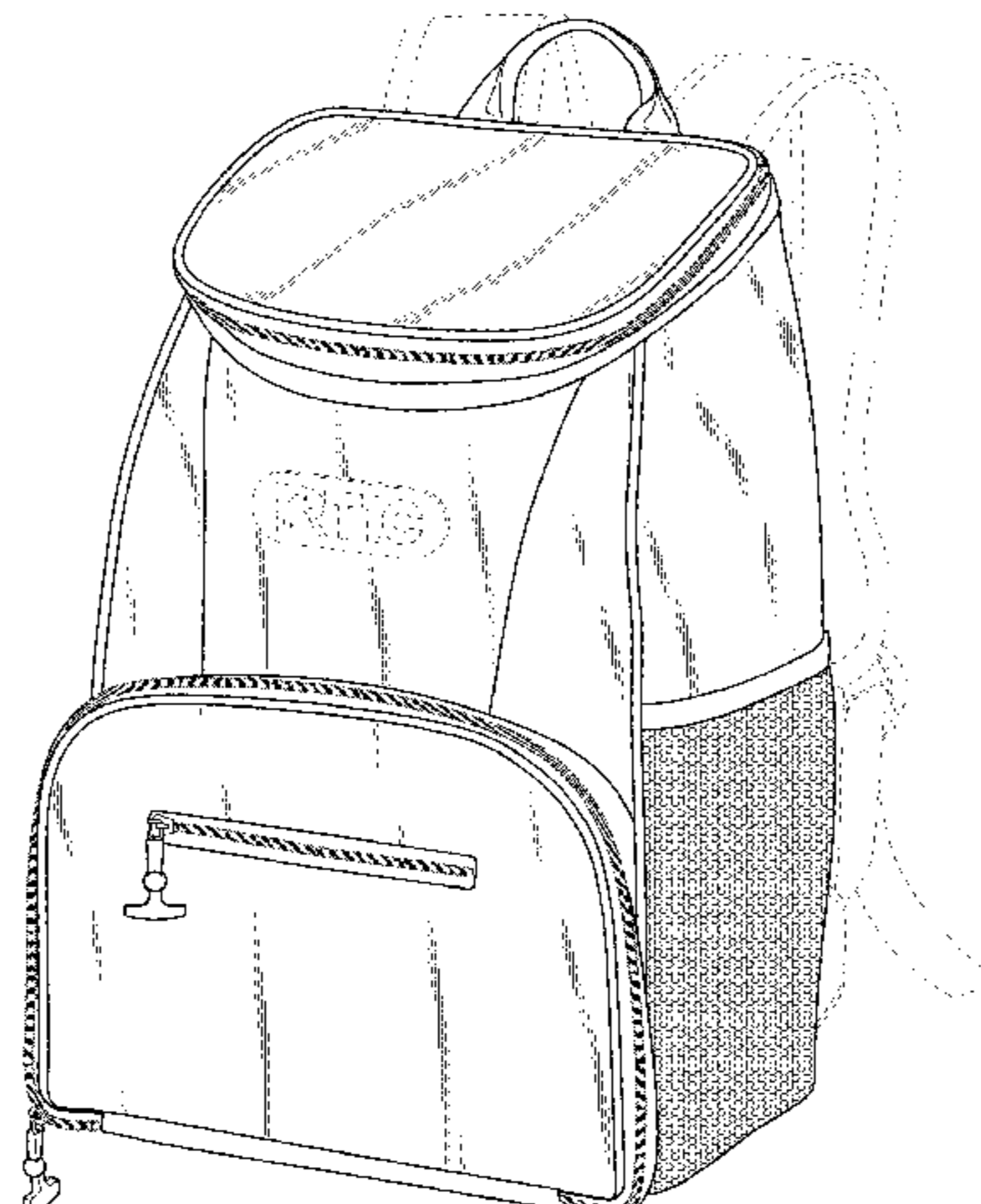
The inside of the main portion of the backpack cooler is unclaimed.

The broken lines in the drawings illustrate shoulder straps, buckles, and the inside of the main portions of the backpack cooler, all of which are for environmental structure and form no part of the claimed design.

The RTIC logo in the drawings is a registered trademark of RTIC IP LLC and form no part of the claimed design.

The surface shading and contour lines in the drawings represent the contours and do not illustrate material, surface ornamentation, or surface decoration and the broken lines form no part of the claimed design.

**1 Claim, 11 Drawing Sheets**



(58) **Field of Classification Search**

CPC ..... A45F 3/04; A45F 3/02; A45F 3/12; A45F 3/14; A65D 53/00  
See application file for complete search history.

(56) **References Cited**

U.S. PATENT DOCUMENTS

6,237,776	B1 *	5/2001	Mogil .....	A45C 3/00 150/106
6,439,389	B1	8/2002	Mogil	
6,513,661	B1	2/2003	Mogil	
8,043,004	B2 *	10/2011	Mogil .....	A45C 5/02 206/541
D732,348	S	6/2015	Seiders et al.	
D732,349	S	6/2015	Seiders et al.	
D732,350	S	6/2015	Seiders et al.	
D732,899	S	6/2015	Seiders et al.	
D752,347	S	3/2016	Seiders et al.	
D764,873	S *	8/2016	Collie .....	D7/607
D786,559	S	5/2017	Seiders et al.	
D786,560	S	5/2017	Seiders et al.	
D786,561	S	5/2017	Seiders et al.	
D786,562	S	5/2017	Seiders et al.	
D787,187	S	5/2017	Seiders et al.	
D797,454	S	9/2017	Seiders et al.	
D797,455	S	9/2017	Seiders et al.	
D798,670	S	10/2017	Seiders et al.	
D828,728	S	9/2018	Jacobsen	
D848,219	S	5/2019	Munie et al.	
D848,220	S	5/2019	Munie et al.	
D848,221	S	5/2019	Munie et al.	
D848,222	S	5/2019	Munie et al.	
D848,223	S	5/2019	Munie et al.	
D848,798	S	5/2019	Munie et al.	
D849,486	S	5/2019	Munie et al.	
2005/0133399	A1 *	6/2005	Fidrych .....	A45F 3/04 206/545
2007/0237432	A1 *	10/2007	Mogil .....	A45C 7/0077 383/38
2009/0184143	A1 *	7/2009	Witt .....	A45C 7/0059 224/153
2012/0111912	A1 *	5/2012	Zheng .....	A45C 15/00 224/576
2016/0244239	A1	8/2016	Nash	
2018/0098607	A1	4/2018	Seiders et al.	

OTHER PUBLICATIONS

'Amazon.com' [online]. "Igloo Sportsman Waterproof Backpack Cooler, Tan/Black/Orange, 17 Quart (16 L)," Published on or before Aug. 21, 2018, Retrieved from the Internet: URL<[https://www.amazon.com/Igloo-Sportsman-Backpack/dp/B07213PMJY/ref=sr\\_1\\_188?keywords=backpack+cooler&qid=1553190344&s=gateway&sr=8-188](https://www.amazon.com/Igloo-Sportsman-Backpack/dp/B07213PMJY/ref=sr_1_188?keywords=backpack+cooler&qid=1553190344&s=gateway&sr=8-188)>. 5 pages.

'Amazon.com' [online]. "TOURIT Leak-Proof Soft Sided Cooler Backpack Waterproof Insulated Backpack Cooler Bag Large Capacity Backpack with Cooler for Men Women to Picnics, Camping, Hiking, Fishing or Beach, 30 Cans," Published on or before Aug. 21, 2018, Retrieved from the Internet: URL<[https://www.amazon.com/TOURIT-Leak-Proof-Backpack-Waterproof-Insulated/dp/B07DQS7L2G/ref=sr\\_1\\_41?keywords=backpack+cooler&qid=1553190168&s=gateway&sr=8-41](https://www.amazon.com/TOURIT-Leak-Proof-Backpack-Waterproof-Insulated/dp/B07DQS7L2G/ref=sr_1_41?keywords=backpack+cooler&qid=1553190168&s=gateway&sr=8-41)>. 11 pages.

'Amazon.com' [online]. "Under Armour Unisex Undeniable 3," Published on or before Aug. 21, 2018, Retrieved from the Internet: URL<[https://www.amazon.com/Under-Armour-Unisex-Undeniable-3/dp/B077KZ483Z/ref=sr\\_1\\_310?keywords=backpack&qid=1553216155&s=gateway&sr=8-310](https://www.amazon.com/Under-Armour-Unisex-Undeniable-3/dp/B077KZ483Z/ref=sr_1_310?keywords=backpack&qid=1553216155&s=gateway&sr=8-310)>. 8 pages.

'Dickssportinggoods.com' [online]. "Igloo Ringleader Hard Top Backpack Cooler," Published on or before Aug. 21, 2018, Retrieved from the Internet: URL<[https://www.dickssportinggoods.com/p/igloo-ringleader-hard-top-backpack-cooler-18iglarngldrhrtdpodr/18iglarngldrhrtdpodr?camp=CSE:DSG\\_92700040957686550\\_pla\\_](https://www.dickssportinggoods.com/p/igloo-ringleader-hard-top-backpack-cooler-18iglarngldrhrtdpodr/18iglarngldrhrtdpodr?camp=CSE:DSG_92700040957686550_pla_)

pla-507516356095&gclid=CjwKCAjw7MzkBRAGEiwAkOXexKjpFOhqe\_cKY0t10U7AVFsyIsPipE81SrqecyhRvxs3E-dmTt\_IxoCAVIQAvD\_BwE&gclsrc=aw.ds>. 5 pages.

'Dickssportinggoods.com' [online]. "Igloo Ringleader HLC Bungee 12 Can Cooler," Published on or before Aug. 21, 2018, Retrieved from the Internet: URL<[https://www.dickssportinggoods.com/p/igloo-ringleader-hlc-bungee-12-can-cooler-18iglarngldrhlc12odr/18iglarngldrhlc12odr?recid=Product\\_PageElement\\_product\\_rr\\_4\\_9073\\_&rrec=true](https://www.dickssportinggoods.com/p/igloo-ringleader-hlc-bungee-12-can-cooler-18iglarngldrhlc12odr/18iglarngldrhlc12odr?recid=Product_PageElement_product_rr_4_9073_&rrec=true)>. 5 pages.

'Ebags.com' [online]. "Biaggi Zipsak Backsak," Published on or before Aug. 21, 2018, Retrieved from the Internet: URL<<https://www.ebags.com/product/biaggi/zipsak-backsak/320763?productid=10463190>>. 11 pages.

'Ebags.com' [online]. "Briggs & Riley Kinzie Street Large Laptop Backpack," Published on or before Aug. 21, 2018, Retrieved from the Internet: URL<<https://www.ebags.com/product/briggs-and-riley/kinzie-street-large-laptop-backpack/343465?productid=10574485>>. 11 pages.

'Ebags.com' [online]. "David King & Co. Multi Pocket Backpack," Published on or before Aug. 21, 2018, Retrieved from the Internet: URL<<https://www.ebags.com/product/david-king-and-co/multi-pocket-backpack/203962?productid=10108425>>. 12 pages.

'Ebags.com' [online]. "Fuel Fuel Top Loader Backpack," Published on or before Aug. 21, 2018, Retrieved from the Internet: URL<<https://www.ebags.com/product/fuel/fuel-top-loader-backpack/299485?productid=10377480>>. 11 pages.

'Ebags.com' [online]. "Latico Leathers Explorer Laptop Backpack," Published on or before Aug. 21, 2018, Retrieved from the Internet: URL<<https://www.ebags.com/product/latico-leathers/explorer-laptop-backpack/284522?productid=10337962>>. 12 pages.

'Ebags.com' [online]. "Le Donne Leather Computer Back Pack," Published on or before Aug. 21, 2018, Retrieved from the Internet: URL<<https://www.ebags.com/product/le-donne-leather/computer-back-pack/144749?productid=10003728>>. 12 pages.

'Ebags.com' [online]. "Mobile Edge ScanFast Checkpoint Friendly Onyx Backpack," Published on or before Aug. 21, 2018, Retrieved from the Internet: URL<<https://www.ebags.com/product/mobile-edge/scanfast-checkpoint-friendly-onyx-backpack/134311?productid=1348501>>. 12 pages.

'Ebags.com' [online]. "Outdoor Products Ripcord Hydration Pack," Published on or before Aug. 21, 2018, Retrieved from the Internet: URL<<https://www.ebags.com/product/outdoor-products/ripcord-hydration-pack/305644?productid=10394602>>. 8 pages.

'Ebags.com' [online]. "Piel Multi-Pocket Laptop Backpack," Published on or before Aug. 21, 2018, Retrieved from the Internet: URL<<https://www.ebags.com/product/piel/multi-pocket-laptop-backpack/202612?productid=10104428>>. 12 pages.

'Ebags.com' [online]. "Royce Leather Laptop Backpack," Published on or before Aug. 21, 2018, Retrieved from the Internet: URL<<https://www.ebags.com/product/royce-leather/laptop-backpack/204102?productid=10108677>>. 12 pages.

'Ebags.com' [online]. "Travelon Anti-Theft Backpack," Published on or before Aug. 21, 2018, Retrieved from the Internet: URL<<https://www.ebags.com/product/travelon/anti-theft-backpack/151227?productid=10668779>>. 11 pages.

'Amazon.com' [online]. "California Pak Calpak Night Vision 18-Inch Rubber Bottom Laptop Rolling," Published on or before Aug. 22, 2017, Retrieved from the Internet: URL<<https://www.Amazon.com/California-Pak-18-Inch-Rolling-Backpack/dp/B013FXT298/>>. 6 pages.

'Amazon.com' [online]. "Fatboy Fatpack Extreme Kayak and Canoe Floating Waterproof Dry Bag, Soft Cooler, Rugged Protective Backpack," Published on or before Aug. 22, 2017, Retrieved from the Internet: URL<[https://www.Amazon.com/Fatboy-Floating-Waterproof-Protective-Backpack/dp/B01LX4NC2W/ref=sr\\_1\\_63?s=apparel&ie=UTF8&qid=1506960124&sr=1-63&nodeID=7141123011&psd=1&keywords=cooler+backpack](https://www.Amazon.com/Fatboy-Floating-Waterproof-Protective-Backpack/dp/B01LX4NC2W/ref=sr_1_63?s=apparel&ie=UTF8&qid=1506960124&sr=1-63&nodeID=7141123011&psd=1&keywords=cooler+backpack)>. 6 pages.

'Amazon.com' [online]. "IceMule Coolers Pro Coolers," Published on or before Aug. 22, 2017, Retrieved from the Internet: URL<[https://www.Amazon.com/IceMule-Coolers-Grey-Large-20-Liter/dp/B00IYJ7NR2/ref=sr\\_1\\_41?ie=UTF8&qid=1506960369&sr=8-41&keywords=cooler+backpack](https://www.Amazon.com/IceMule-Coolers-Grey-Large-20-Liter/dp/B00IYJ7NR2/ref=sr_1_41?ie=UTF8&qid=1506960369&sr=8-41&keywords=cooler+backpack)>. 5 pages.

(56)

**References Cited**

## OTHER PUBLICATIONS

'Amazon.com' [online]. "Koshanra Insulated Backpack Cooler," Published on or before Aug. 22, 2017, Retrieved from the Internet: URL<[https://www.amazon.com/Koshanra-Insulated-Backpack-Cooler/dp/B01NAU67YE/ref=sr\\_1\\_54?s=apparel&ie=UTF8&qid=1506960124&sr=1-54&nodeID=7141123011&psd=1&keywords=cooler+backpack](https://www.amazon.com/Koshanra-Insulated-Backpack-Cooler/dp/B01NAU67YE/ref=sr_1_54?s=apparel&ie=UTF8&qid=1506960124&sr=1-54&nodeID=7141123011&psd=1&keywords=cooler+backpack)>. 5 pages.

'Amazon.com' [online]. "Kysek Trekker Backpack Ice Chest, Grey, One Size," Published on or before Aug. 22, 2017, Retrieved from the Internet: URL<[https://www.amazon.com/Kysek-Trekker-Backpack-Chest-Grey/dp/B01N2HPDVW/ref=sr\\_1\\_55?s=apparel&ie=UTF8&qid=1506960124&sr=1-55&nodeID=7141123011&psd=1&keywords=cooler+backpack](https://www.amazon.com/Kysek-Trekker-Backpack-Chest-Grey/dp/B01N2HPDVW/ref=sr_1_55?s=apparel&ie=UTF8&qid=1506960124&sr=1-55&nodeID=7141123011&psd=1&keywords=cooler+backpack)>. 5 pages.

'Amazon.com' [online]. "Large Insulated Soft Cooler Backpack 28-Can (Camo)" Published on or before Aug. 22, 2017, Retrieved from the Internet: URL<[https://www.amazon.com/Large-Insulated-Cooler-Backpack-28-Can/dp/B01ILFBSCF/ref=sr\\_1\\_83?s=apparel&ie=UTF8&qid=1506960124&sr=1-83&nodeID=7141123011&psd=1&keywords=cooler+backpack](https://www.amazon.com/Large-Insulated-Cooler-Backpack-28-Can/dp/B01ILFBSCF/ref=sr_1_83?s=apparel&ie=UTF8&qid=1506960124&sr=1-83&nodeID=7141123011&psd=1&keywords=cooler+backpack)>. 4 pages.

'Amazon.com' [online]. "Nupla 67419 Black Label Rubber Bottom Back Pack, 1680 Dernier Ballistic Material," Published on or before Aug. 22, 2017, Retrieved from the Internet: URL<<https://www.amazon.com/Nupla-67419-Dernier-Ballistic-Material/dp/B00KRCU1SW>>. 6 pages.

'Amazon.com' [online]. "Patagonia Black Hole Pack 32L Navy Blue w/Paintbrush Red," Published on or before Aug. 22, 2017, Retrieved from the Internet: URL<[https://www.amazon.com/Patagonia-Black-Hole-Pack-Paintbrush/dp/B073GXMDYG/ref=sr\\_1\\_1?s=apparel&ie=UTF8&qid=1506959887&sr=1-1&nodeID=7141123011&psd=1&keywords=Patagonia+Black+Hole%E2%84%A2+Backpack+32L](https://www.amazon.com/Patagonia-Black-Hole-Pack-Paintbrush/dp/B073GXMDYG/ref=sr_1_1?s=apparel&ie=UTF8&qid=1506959887&sr=1-1&nodeID=7141123011&psd=1&keywords=Patagonia+Black+Hole%E2%84%A2+Backpack+32L)>. 5 pages.

'Amazon.com' [online]. "Patagonia Lightweight Travel Tote Pack (Purple)" Published on or before Aug. 22, 2017, Retrieved from the

Internet: URL<[https://www.amazon.com/Patagonia-Lightweight-Travel-Tote-1343cu/dp/B01MY8LXHM/ref=sr\\_1\\_1?ie=UTF8&qid=1506959764&sr=8-1&keywords=Patagonia%2BLightweight%2BTravel%2BTote%2BPack%2B22L&th=1](https://www.amazon.com/Patagonia-Lightweight-Travel-Tote-1343cu/dp/B01MY8LXHM/ref=sr_1_1?ie=UTF8&qid=1506959764&sr=8-1&keywords=Patagonia%2BLightweight%2BTravel%2BTote%2BPack%2B22L&th=1)>. 6 pages.

'Amazon.com' [online]. "Timbuk2 Rogue Laptop Backpack," Published on or before Aug. 22, 2017, Retrieved from the Internet: URL<[https://www.amazon.com/dp/B00HSHKXMI/ref=as\\_li\\_ss\\_tl?ie=UTF8&linkCode=s11&tag=mattheavy-20&linkId=5e0f6e35df08d2b40b2ffae367380de4](https://www.amazon.com/dp/B00HSHKXMI/ref=as_li_ss_tl?ie=UTF8&linkCode=s11&tag=mattheavy-20&linkId=5e0f6e35df08d2b40b2ffae367380de4)>. 9 pages.

'Amazon.com' [online]. "Waterproof 2-in-1 Dry Bag Leak Proof Cooler Backpack," Published on or before Aug. 22, 2017, Retrieved from the Internet: URL<[https://www.amazon.com/Waterproof-Leak-Proof-Cooler-Backpack/dp/B071LKS265/ref=sr\\_1\\_64?s=apparel&ie=UTF8&qid=1506960124&sr=1-64&nodeID=7141123011&psd=1&keywords=cooler+backpack](https://www.amazon.com/Waterproof-Leak-Proof-Cooler-Backpack/dp/B071LKS265/ref=sr_1_64?s=apparel&ie=UTF8&qid=1506960124&sr=1-64&nodeID=7141123011&psd=1&keywords=cooler+backpack)>. 4 pages.

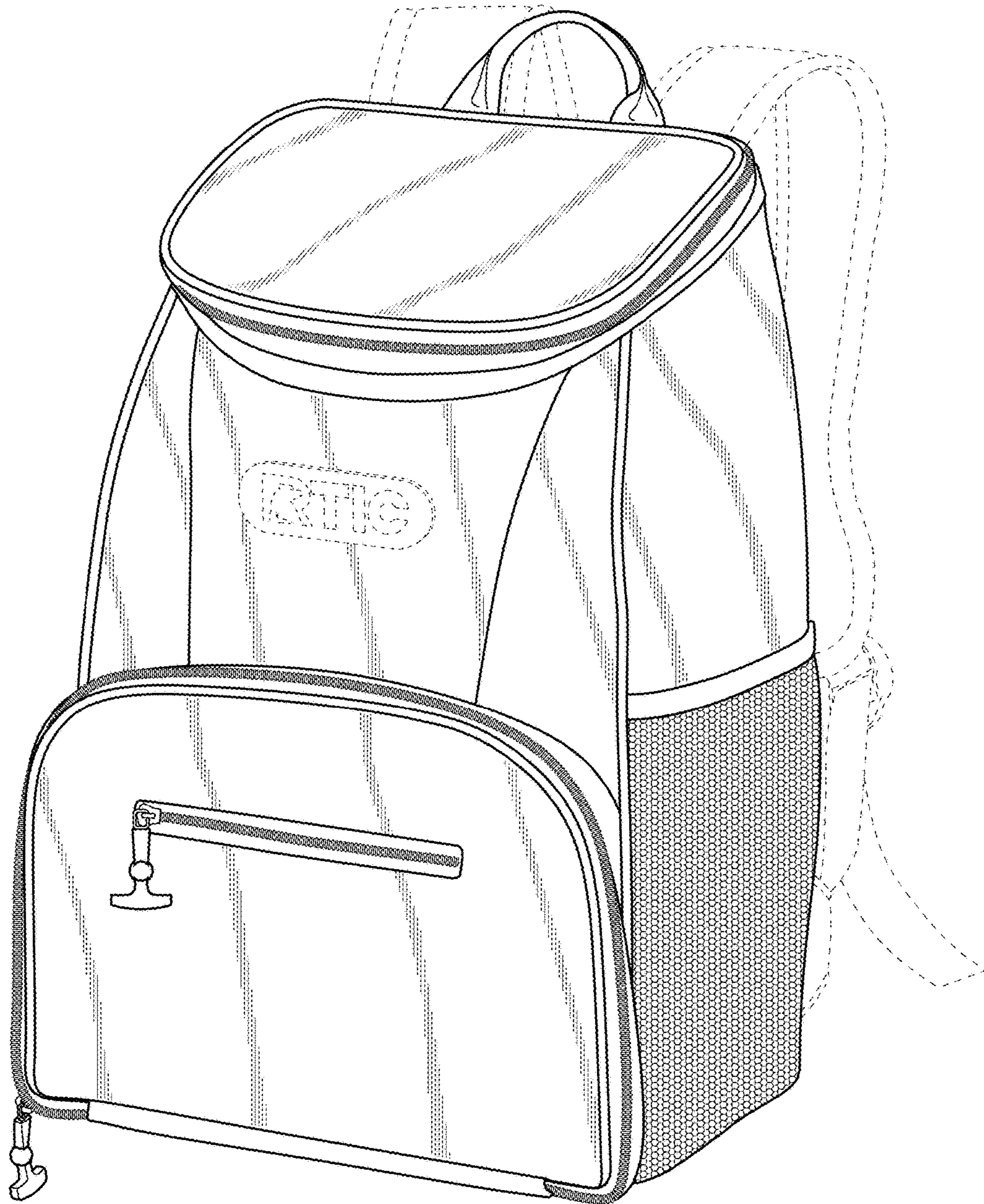
'Anypromo.com' [online]. "iCOOL™ Extreme Waterproof Cooler Backpack," Published on or before Aug. 22, 2017, Retrieved from the Internet: URL<[https://www.anypromo.com/bags-luggage/lunch-bags-cooler/icool-extreme-waterproof-cooler-backpack-p745858?utm\\_source=PLA&utm\\_medium=PC&utm\\_campaign=745858&s=1&glppc=1&gclid=EAlaIqobChMImvCmzJXB1gIVAYy9Ch0opwYyEAKYCCABEgKpQvD\\_BwE](https://www.anypromo.com/bags-luggage/lunch-bags-cooler/icool-extreme-waterproof-cooler-backpack-p745858?utm_source=PLA&utm_medium=PC&utm_campaign=745858&s=1&glppc=1&gclid=EAlaIqobChMImvCmzJXB1gIVAYy9Ch0opwYyEAKYCCABEgKpQvD_BwE)>. 3 pages.

'Timberland.com' [online]. "Crofton 24-Liter Waterproof Backpack," Published on or before Aug. 22, 2017, Retrieved from the Internet: URL<<https://www.timberland.com/shop/crofton-24-liter-waterproof-backpack-black-alc4001>>. 2 pages.

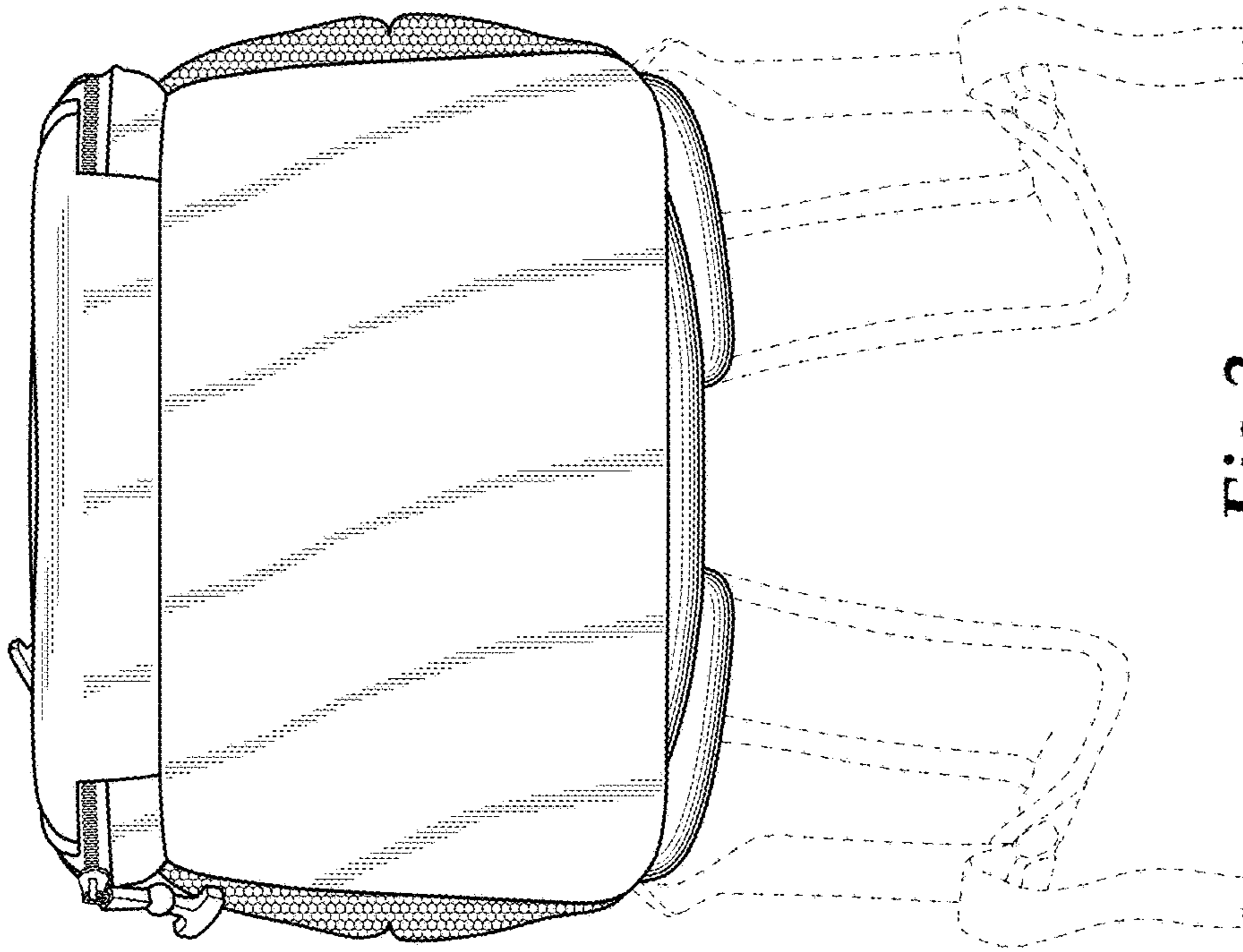
U.S. Appl. No. 29/614,786, filed Aug. 23, 2017, Jacobsen.

U.S. Appl. No. 29/660,637, filed Aug. 22, 2018, Jacobsen.

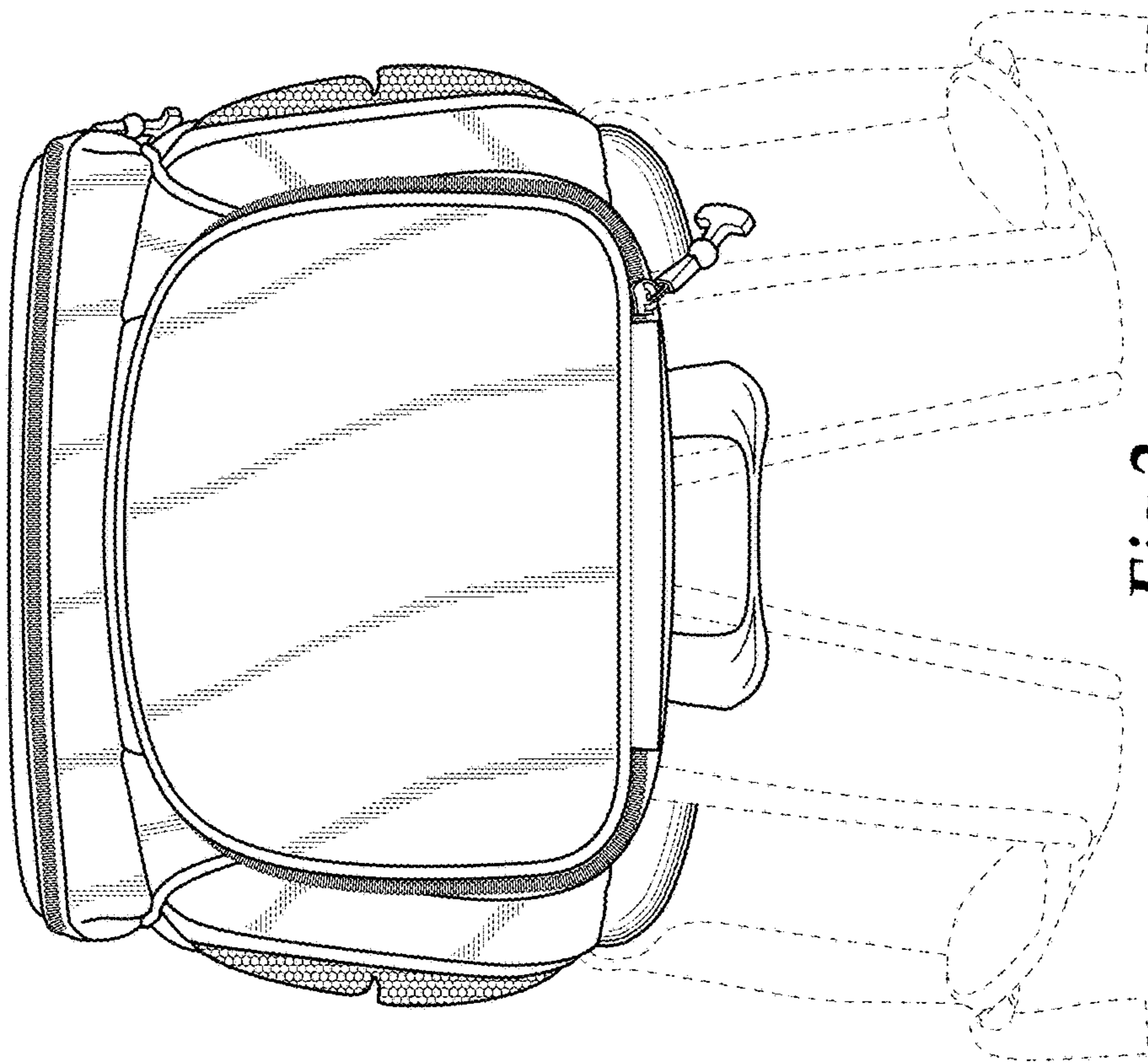
\* cited by examiner



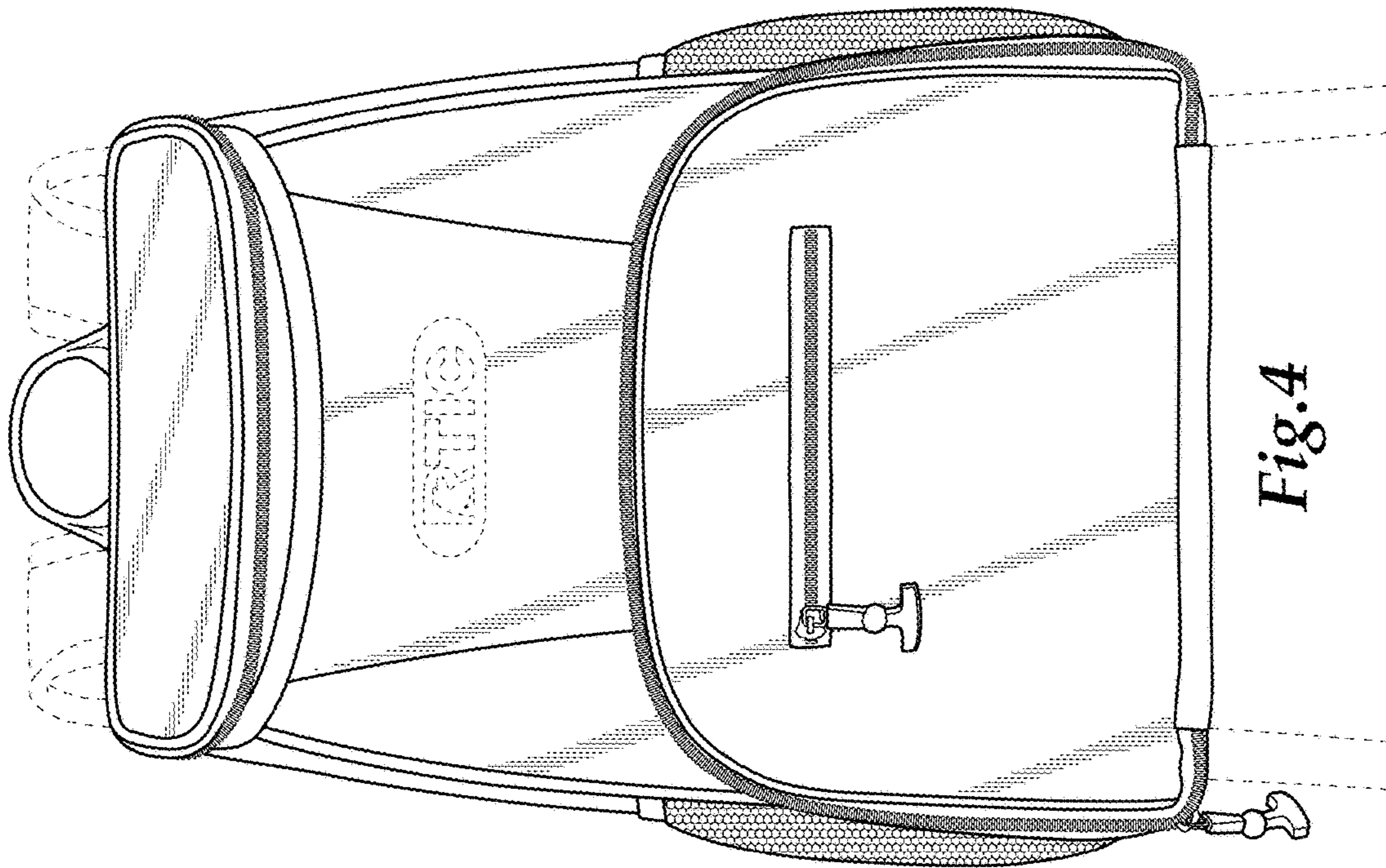
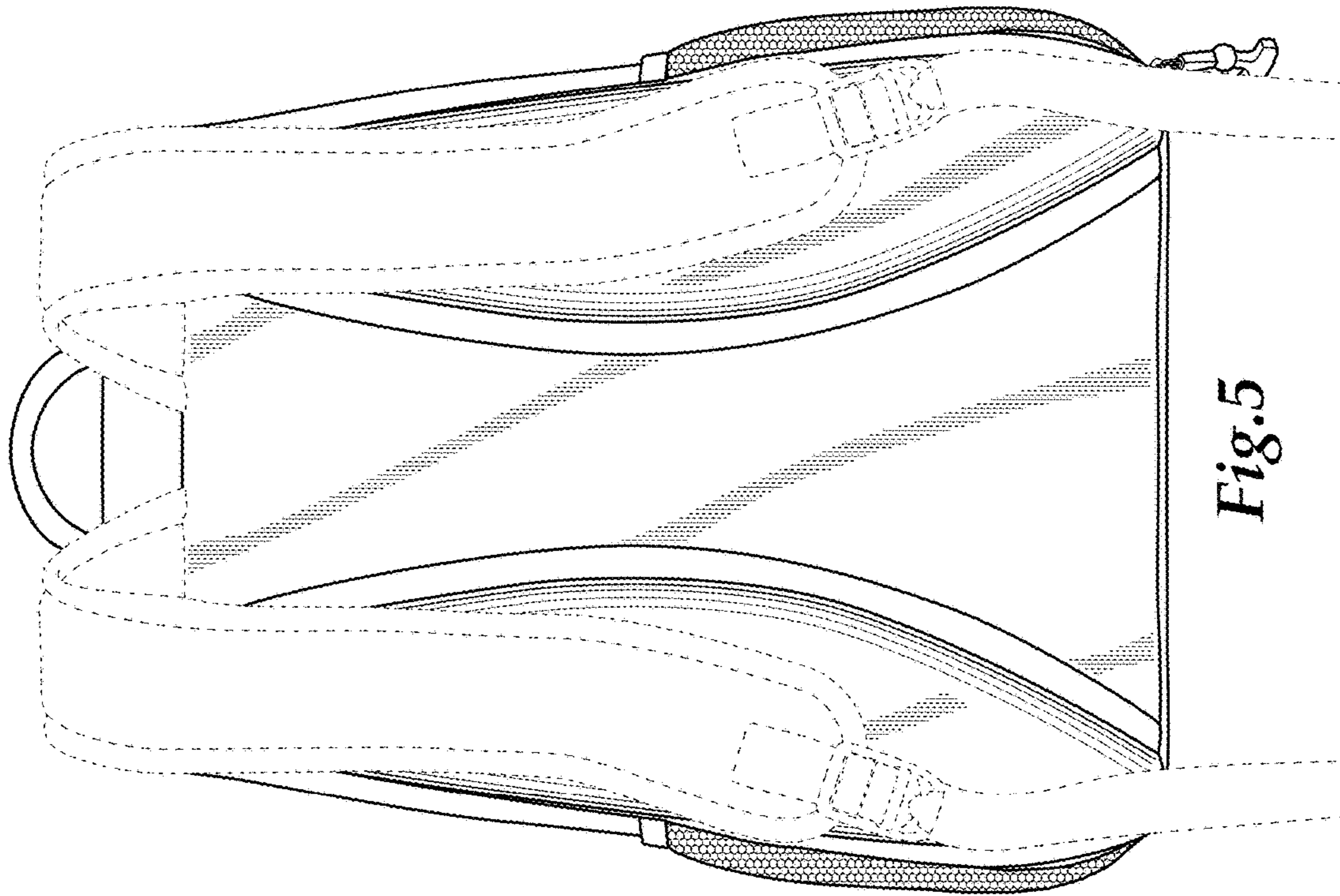
*Fig.1*



*Fig.3*



*Fig.2*



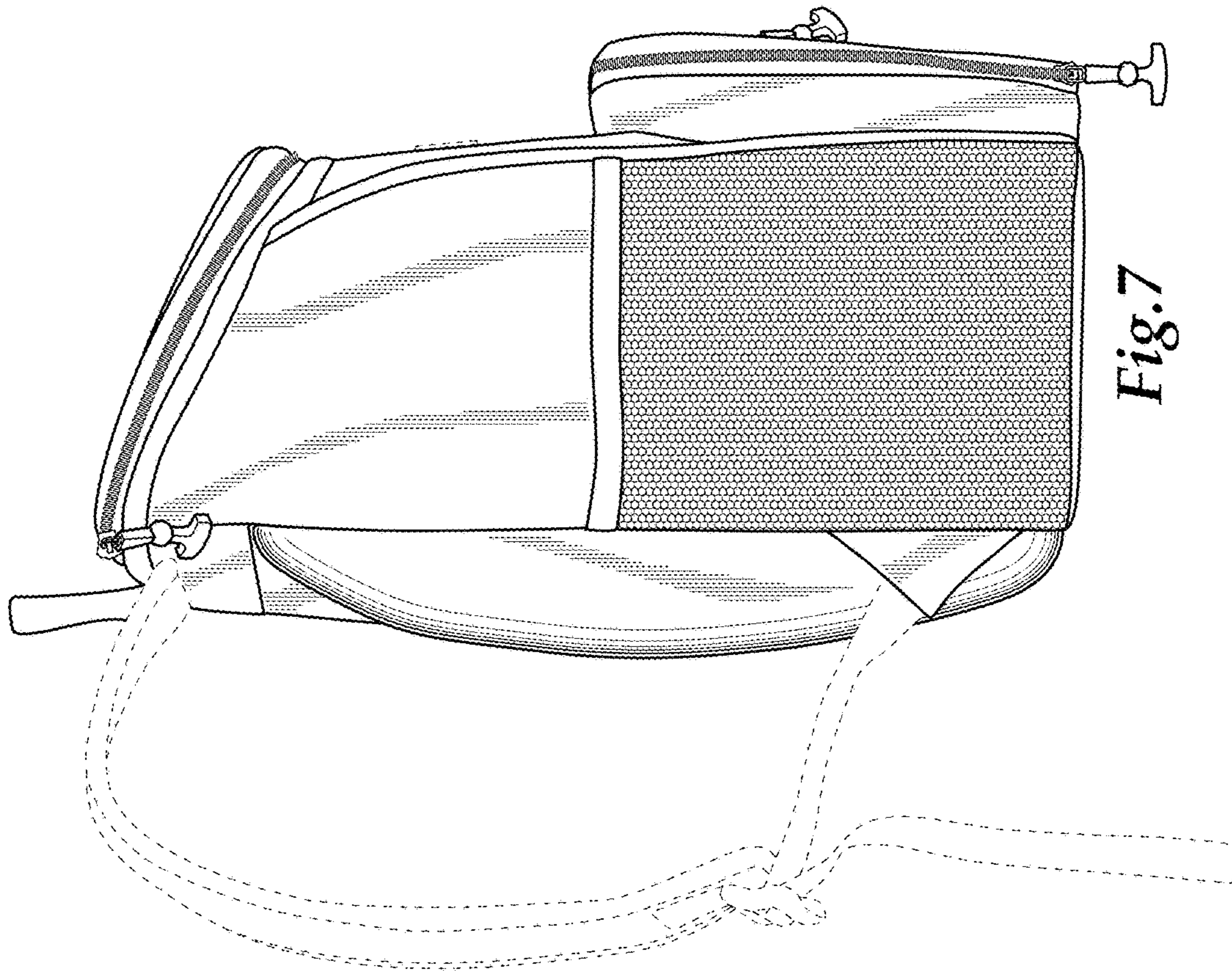


Fig. 7

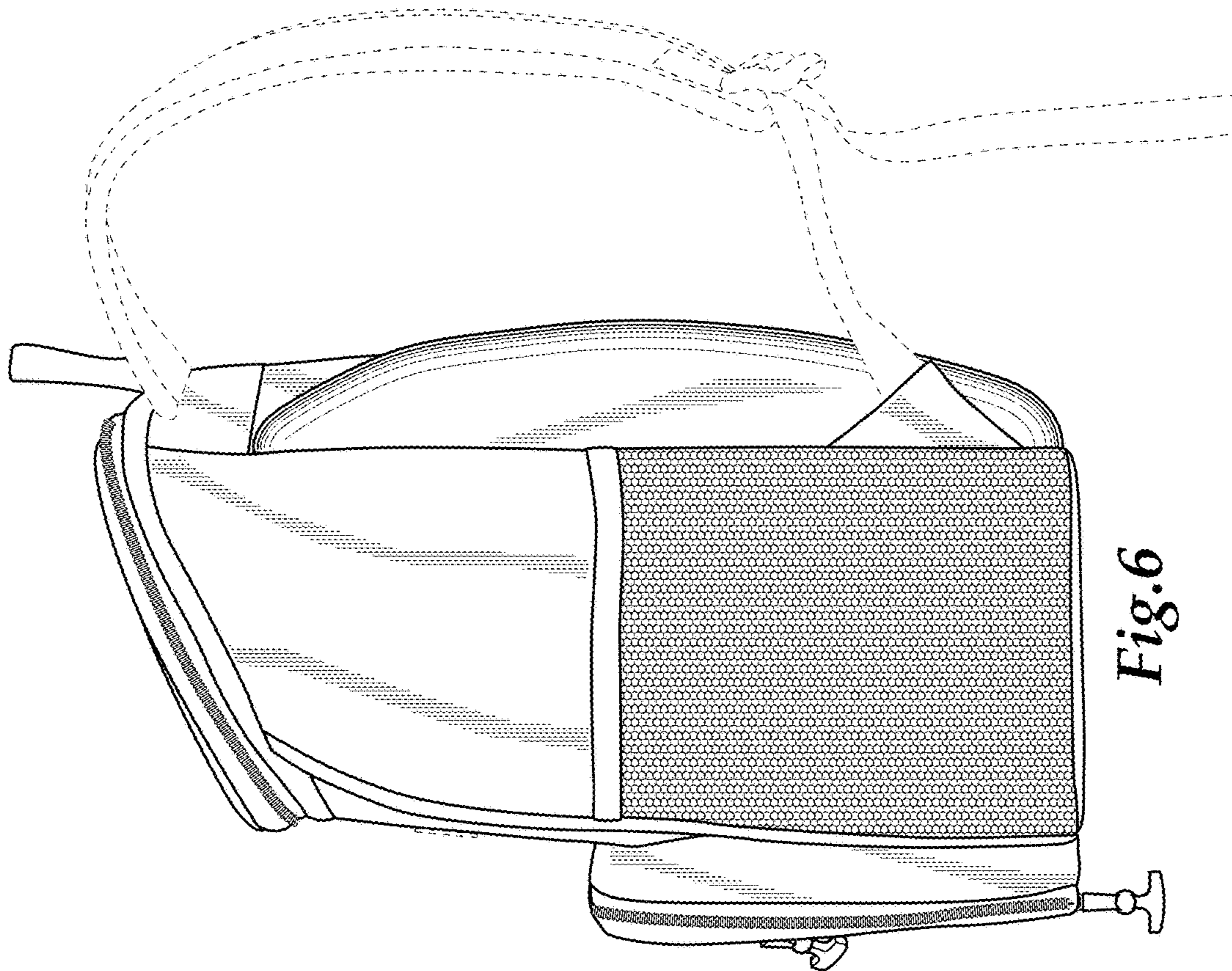
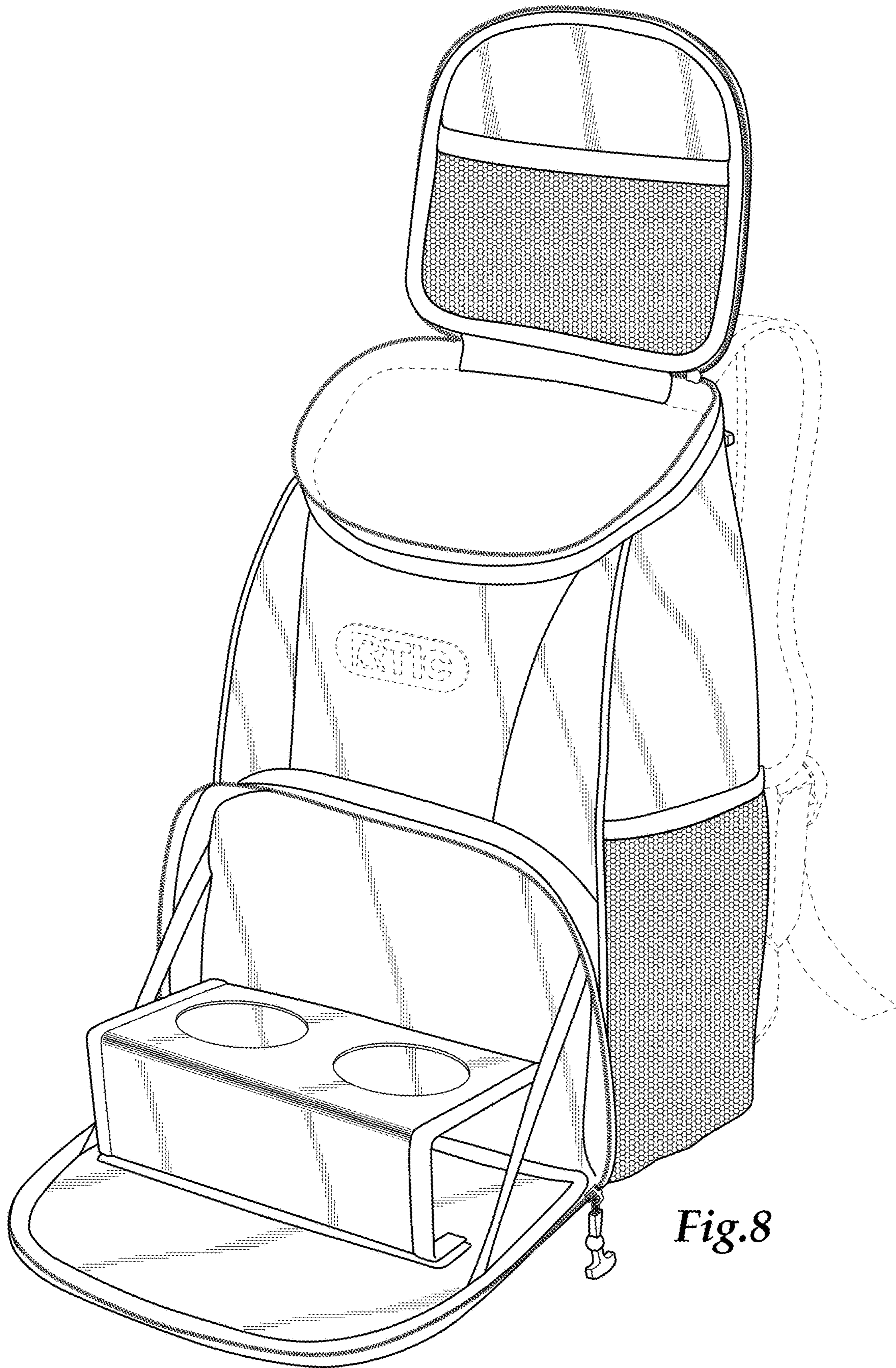
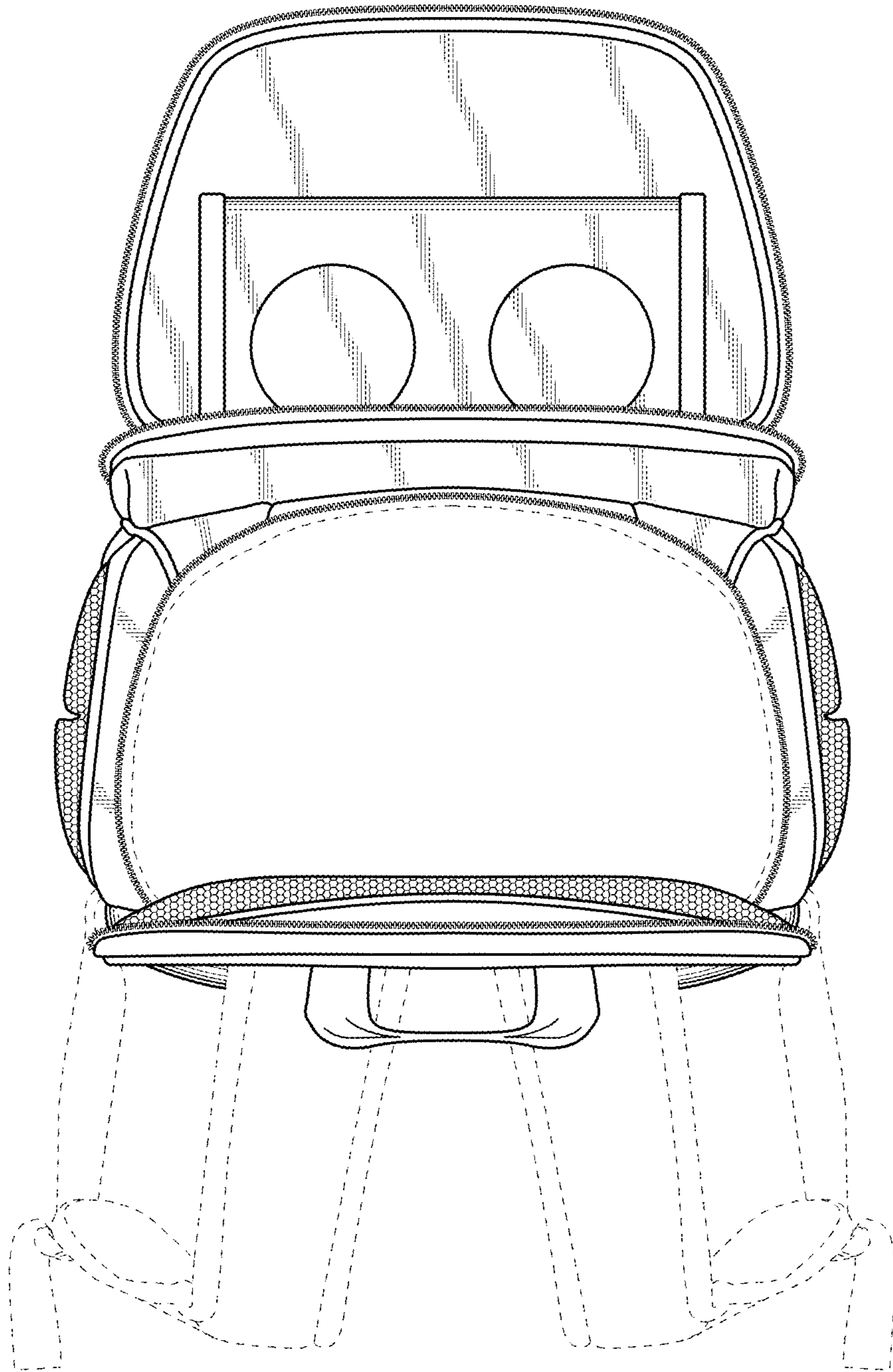


Fig. 6

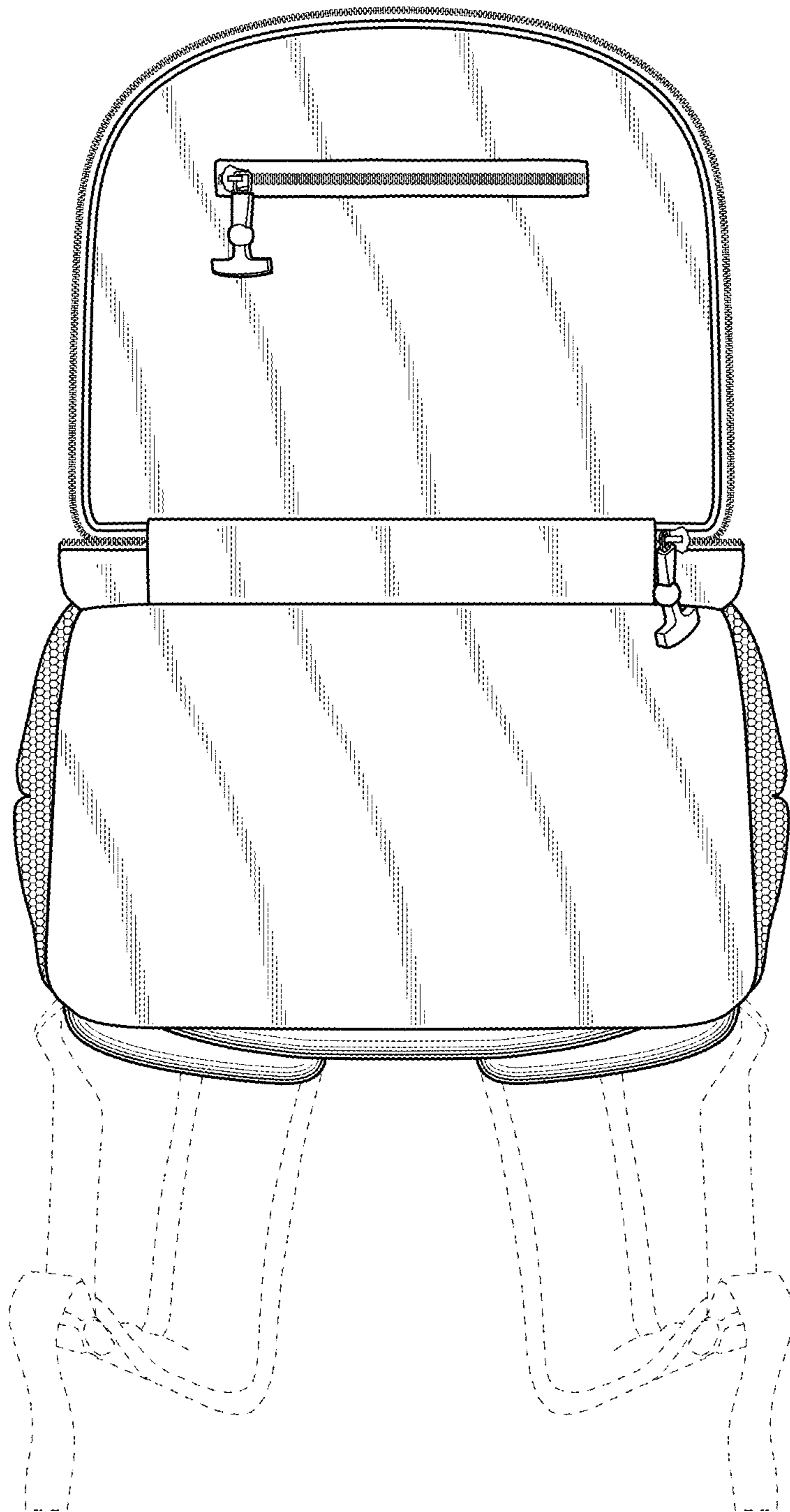


*Fig.8*

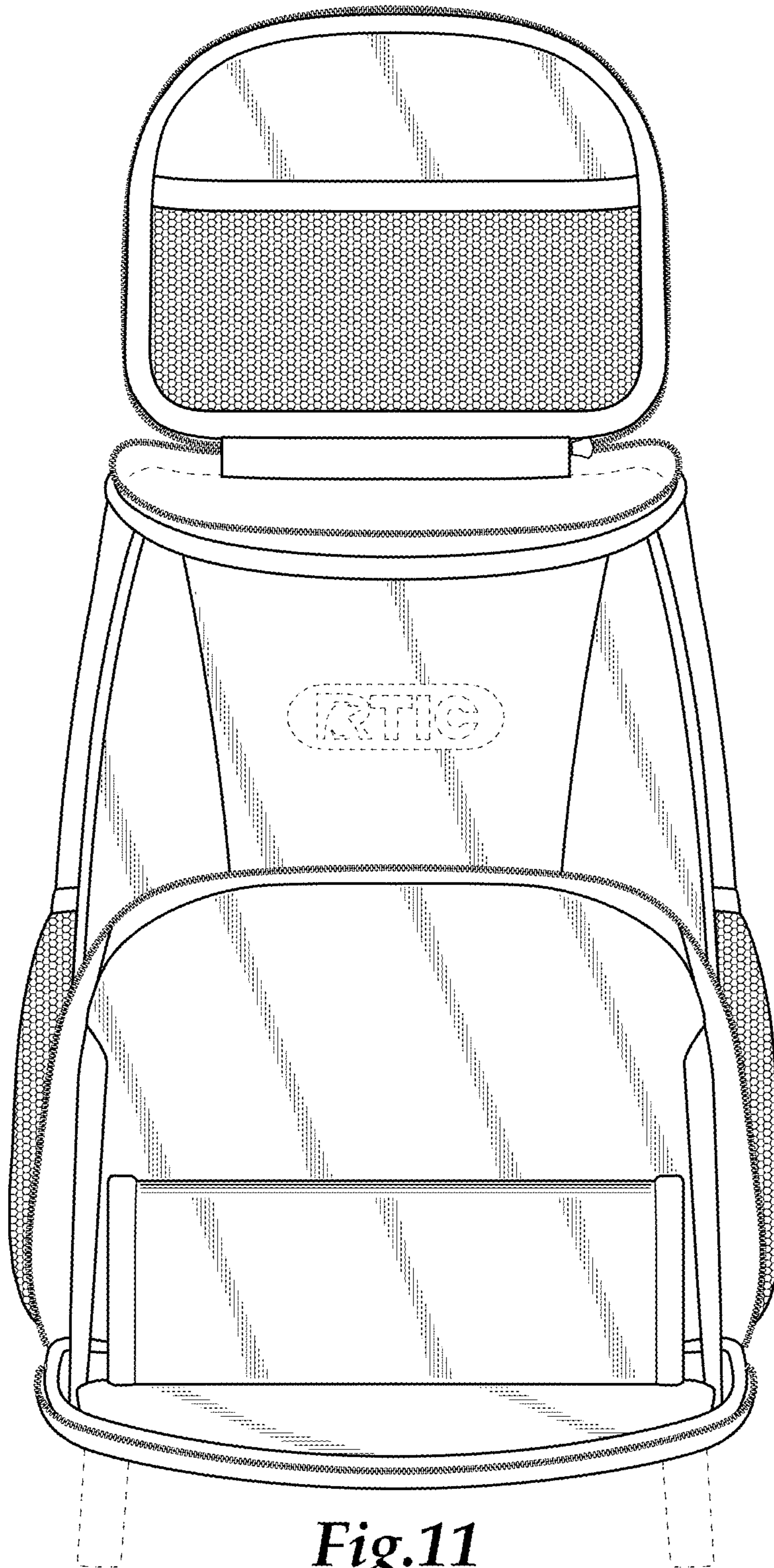




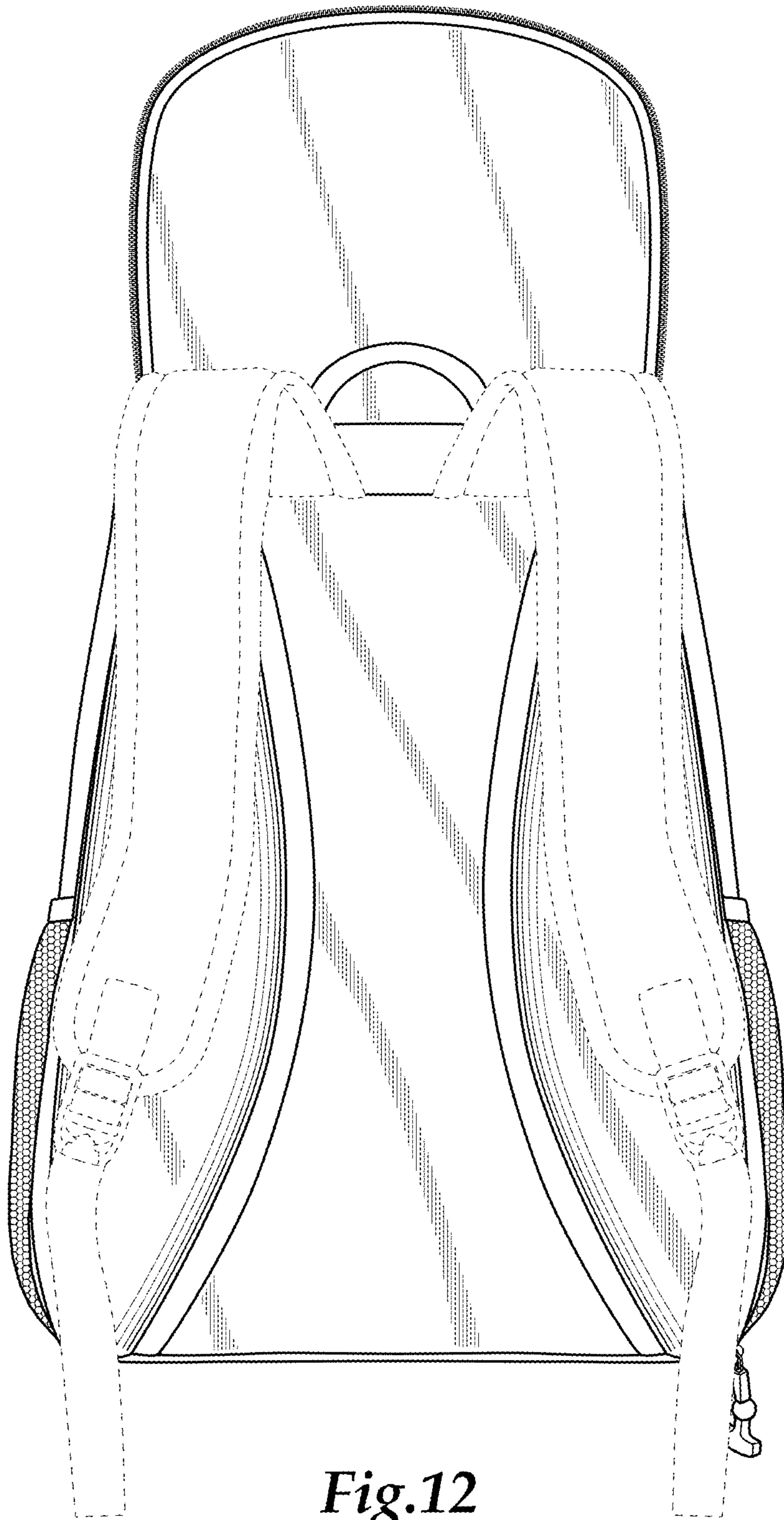
*Fig.9*



*Fig.10*



*Fig.11*



*Fig.12*

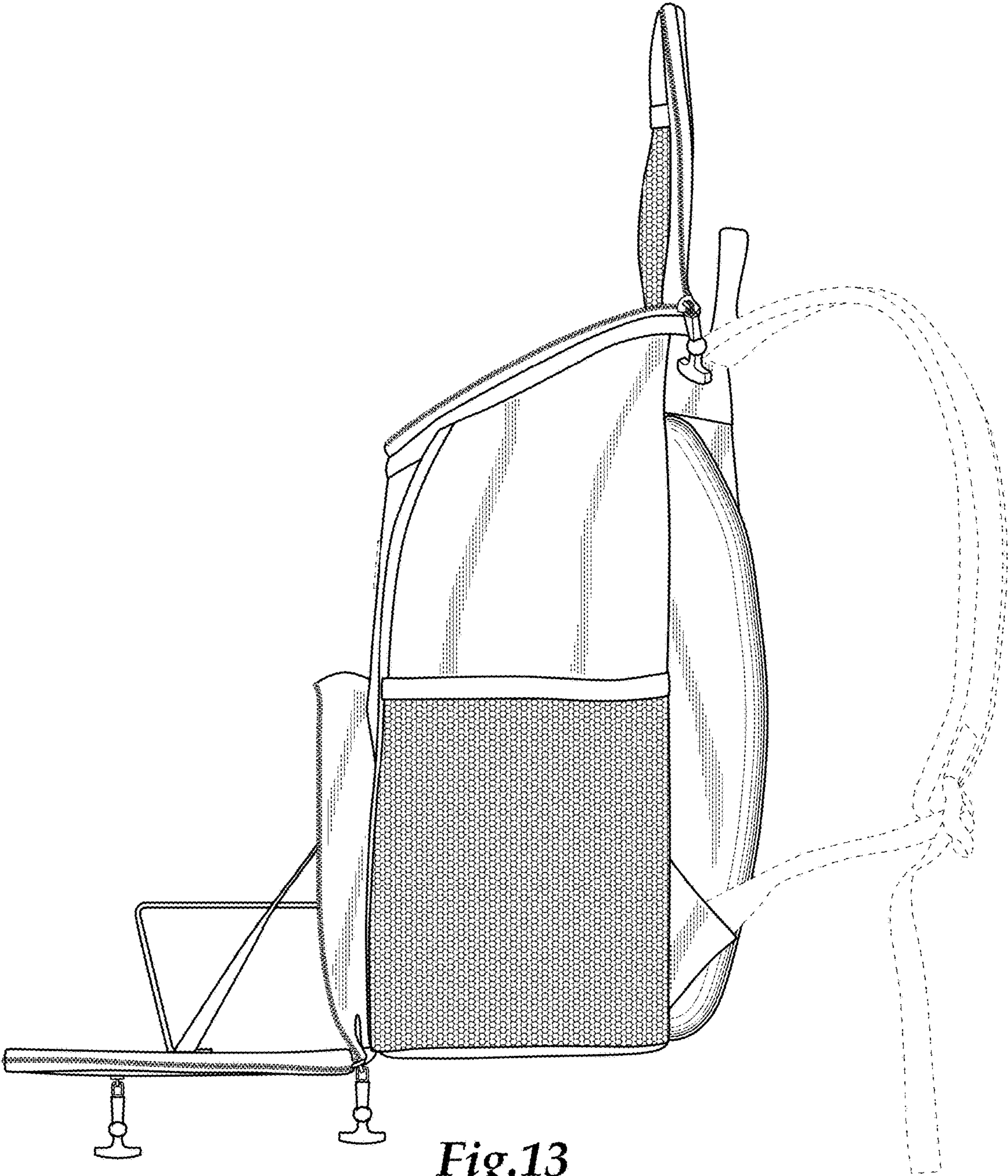
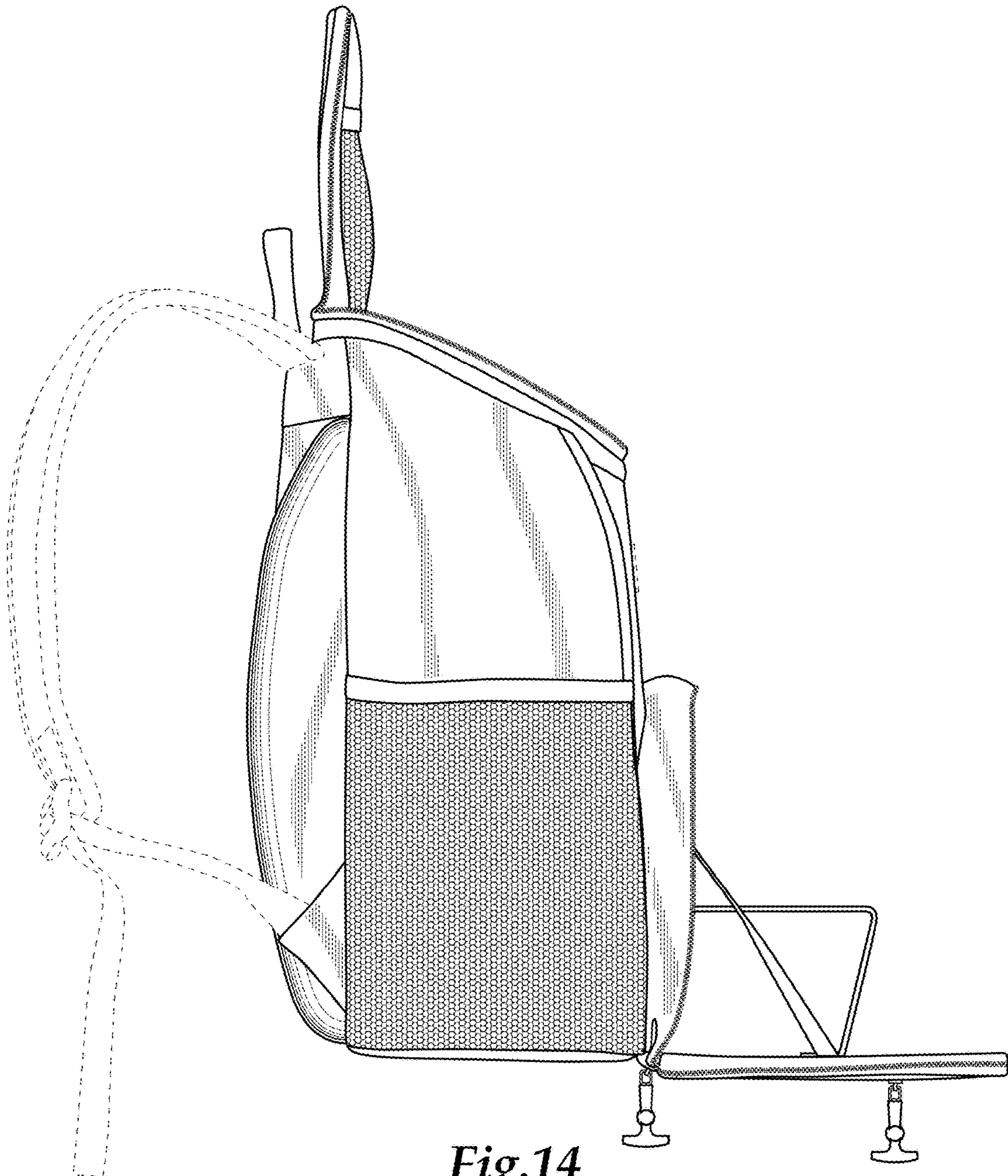


Fig. 13



*Fig.14*