



US00D871161S

(12) **United States Design Patent** (10) **Patent No.:** **US D871,161 S**
Liu (45) **Date of Patent:** **** Dec. 31, 2019**

(54) **PART OF THE CRISPER**
(71) Applicant: **FREE-FREE INDUSTRIAL CORP.**,
Taipei (TW)
(72) Inventor: **Sheng-Yu Liu**, Taipei (TW)
(73) Assignee: **FREE-FREE INDUSTRIAL CORP.**,
Taipei (TW)
(**) Term: **15 Years**
(21) Appl. No.: **29/656,027**
(22) Filed: **Jul. 10, 2018**
(51) **LOC (12) Cl.** **07-01**
(52) **U.S. Cl.**
USPC **D7/605**
(58) **Field of Classification Search**
USPC D7/602, 629, 630, 612-615, 538-542,
D7/605; D9/414, 424-432; D15/89
CPC . A47J 47/02; A47J 47/06; A47J 47/10; A23B
7/00; B65D 81/24; B65D 81/38; B65D
81/18; B65D 81/3813; B65D 81/3811;
B65D 81/3816; B65D 81/3823; B65D
81/3862; B65D 81/3874; B65D 1/40;
B65D 11/20; B65D 2543/00296; B65D
2543/00842; A47G 19/20; A47G 19/12;
A47G 23/04; A47G 23/06
See application file for complete search history.

(56) **References Cited**
U.S. PATENT DOCUMENTS
4,576,309 A * 3/1986 Tzifkansky A47G 19/26
220/360
4,860,555 A * 8/1989 Bishop A23B 7/05
62/376
5,417,080 A * 5/1995 Bishop A23B 7/00
312/402

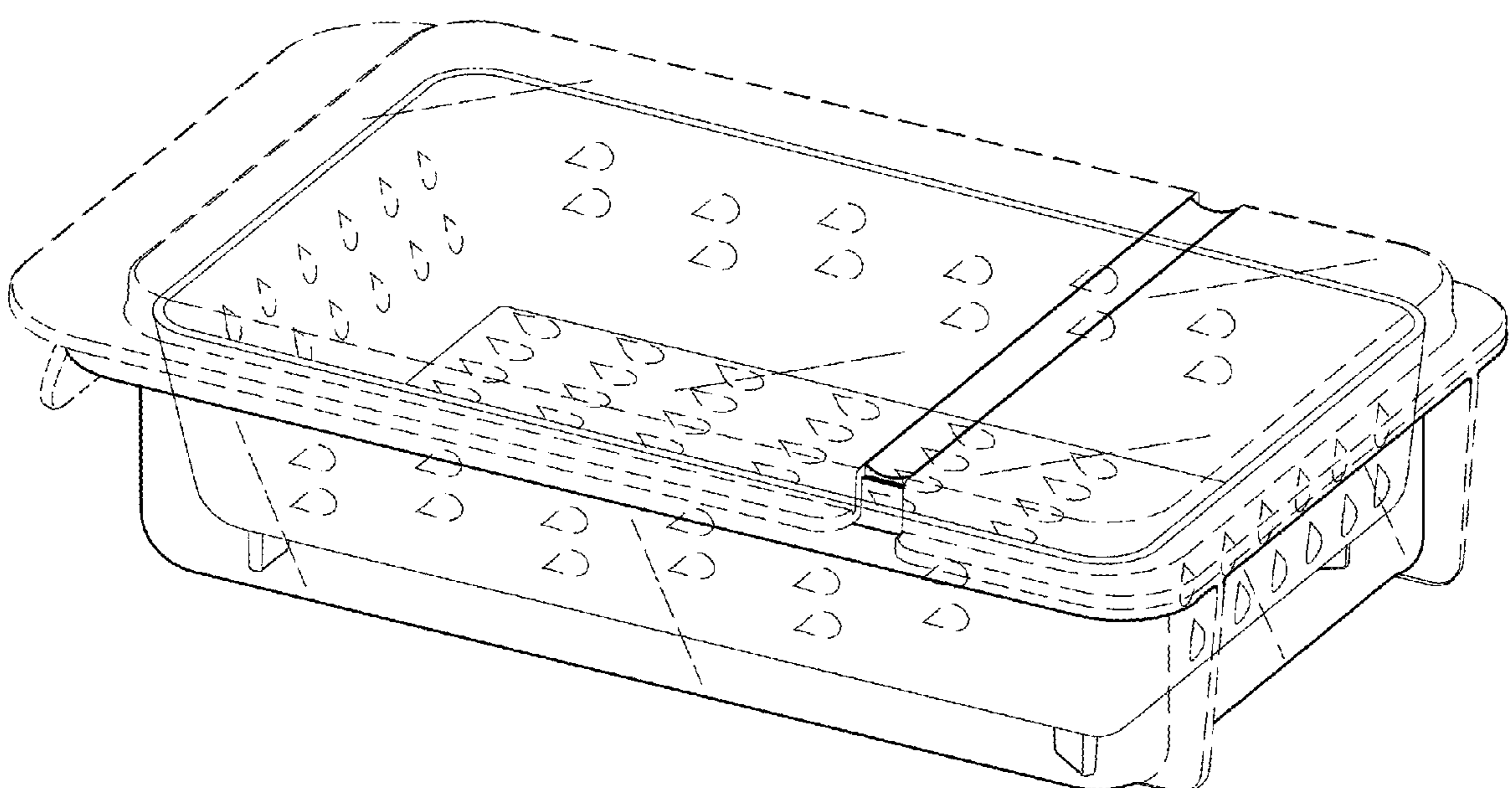
D698,206 S * 1/2014 Molayem D7/629
D730,699 S * 6/2015 Mok D7/602
D767,950 S * 10/2016 Kraemer D7/629
2001/0047997 A1 * 12/2001 Laib A47J 47/06
220/676
2003/0038142 A1 * 2/2003 Gee A45C 13/005
220/835
2008/0054003 A1 * 3/2008 Curtin A47J 47/10
220/571

* cited by examiner
Primary Examiner — Terry A Wallace
(74) *Attorney, Agent, or Firm* — Chun-Ming Shih; HDLS
IPR Services

(57) **CLAIM**
The ornamental design for part of the crisper, as shown and
described.

DESCRIPTION
FIG. 1 is a left front perspective view of a part of the crisper
according to the present invention;
FIG. 2 is a front view of a part of the crisper according to
the present invention;
FIG. 3 is a rear view of a part of the crisper according to the
present invention;
FIG. 4 is a left view of a part of the crisper according to the
present invention;
FIG. 5 is a right view of a part of the crisper according to the
present invention;
FIG. 6 is a top view of a part of the crisper according to the
present invention; and,
FIG. 7 is a bottom view of a part of the crisper according to
the present invention.
The broken lines are for illustrative purposes only and form
no part of the claimed design.

1 Claim, 7 Drawing Sheets



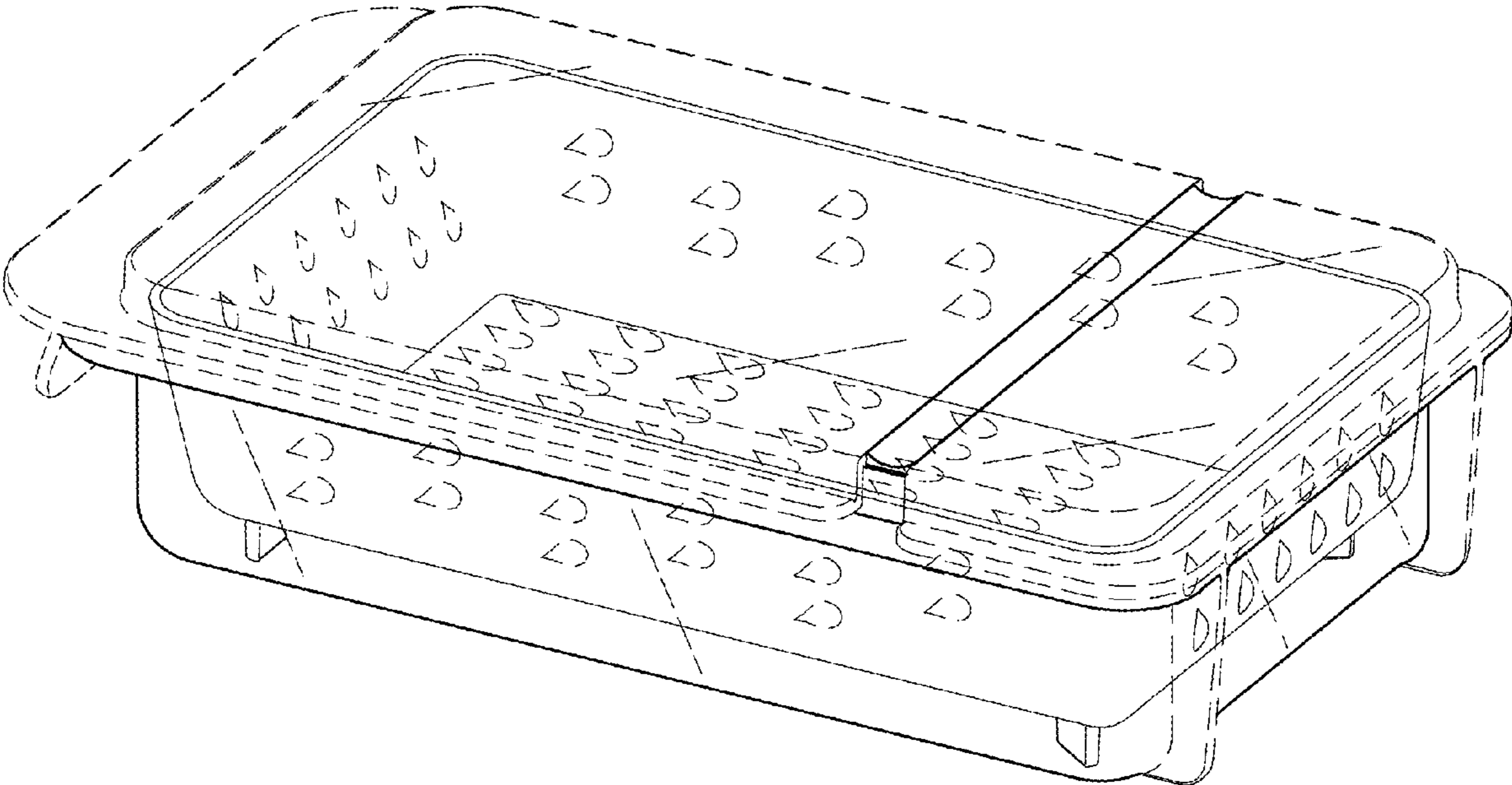


Figure 1

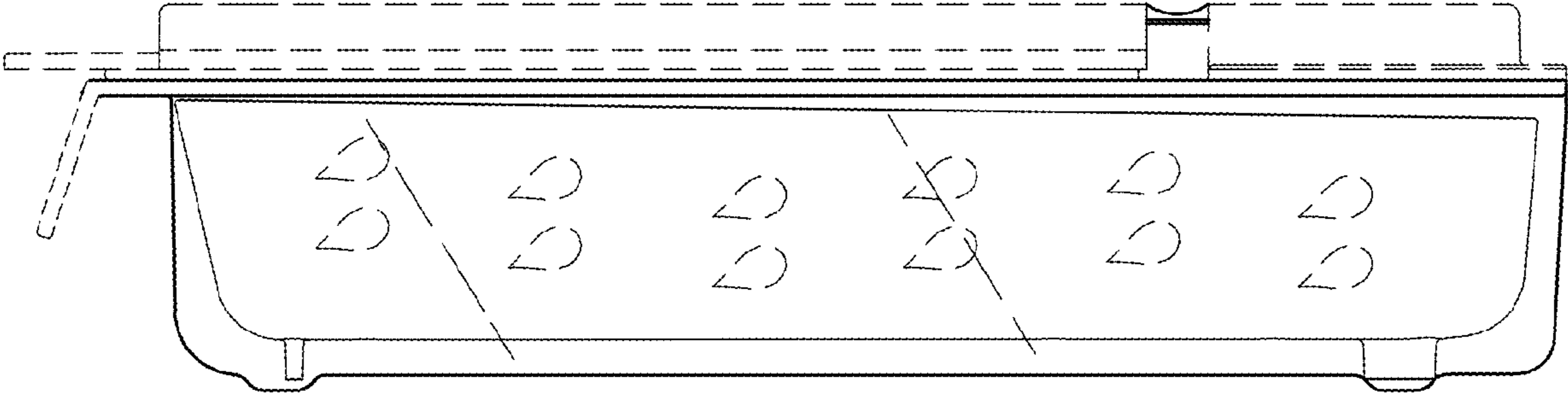


Figure 2

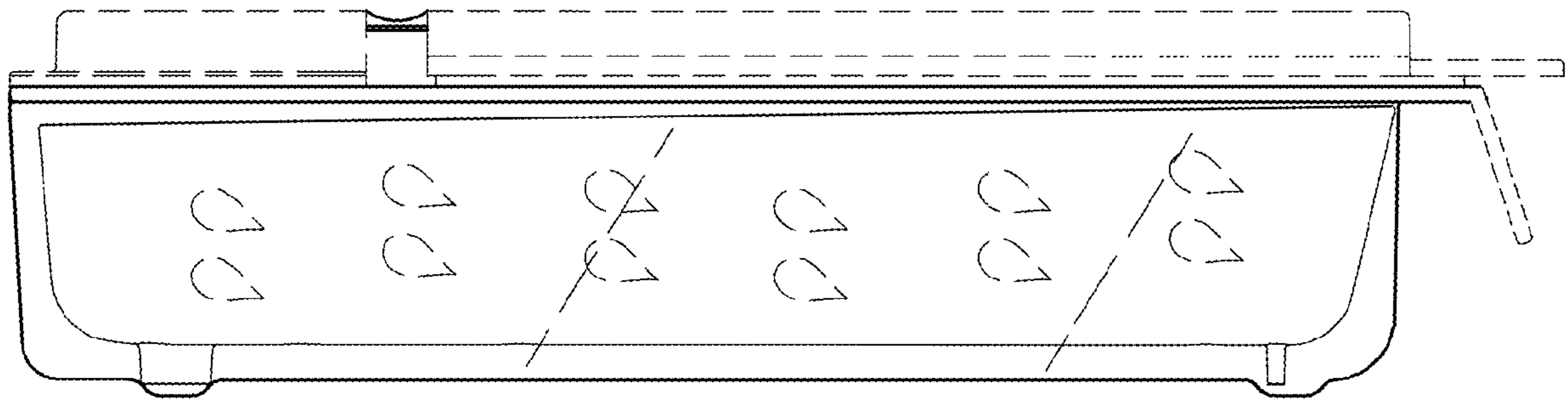


Figure 3

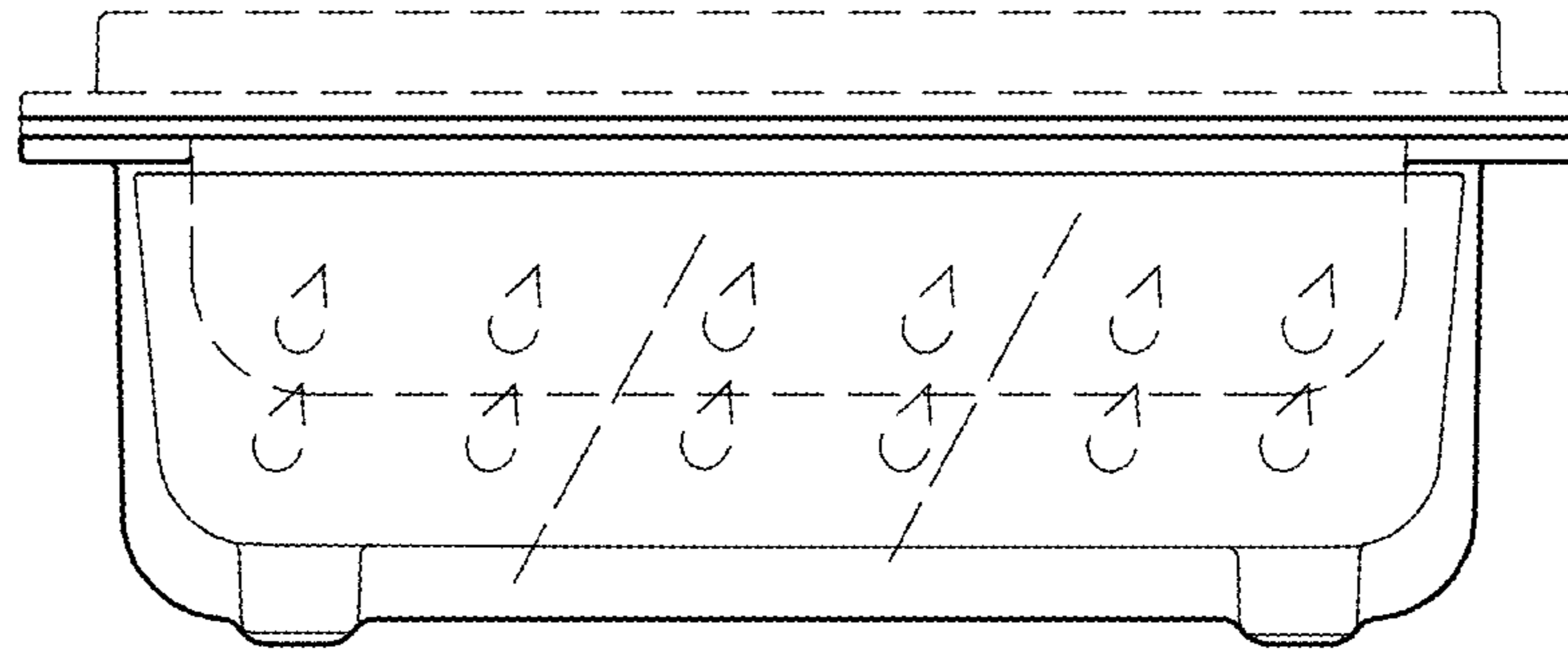


Figure 4

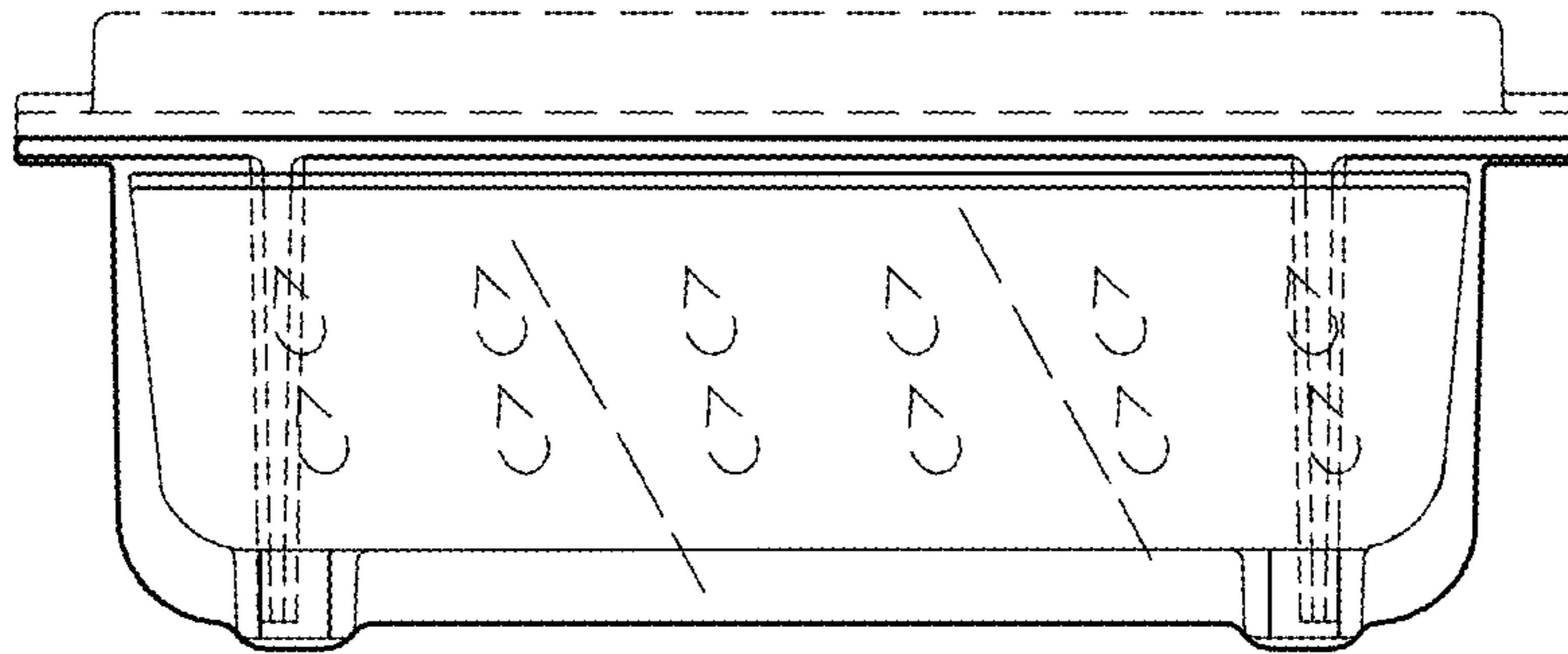


Figure 5

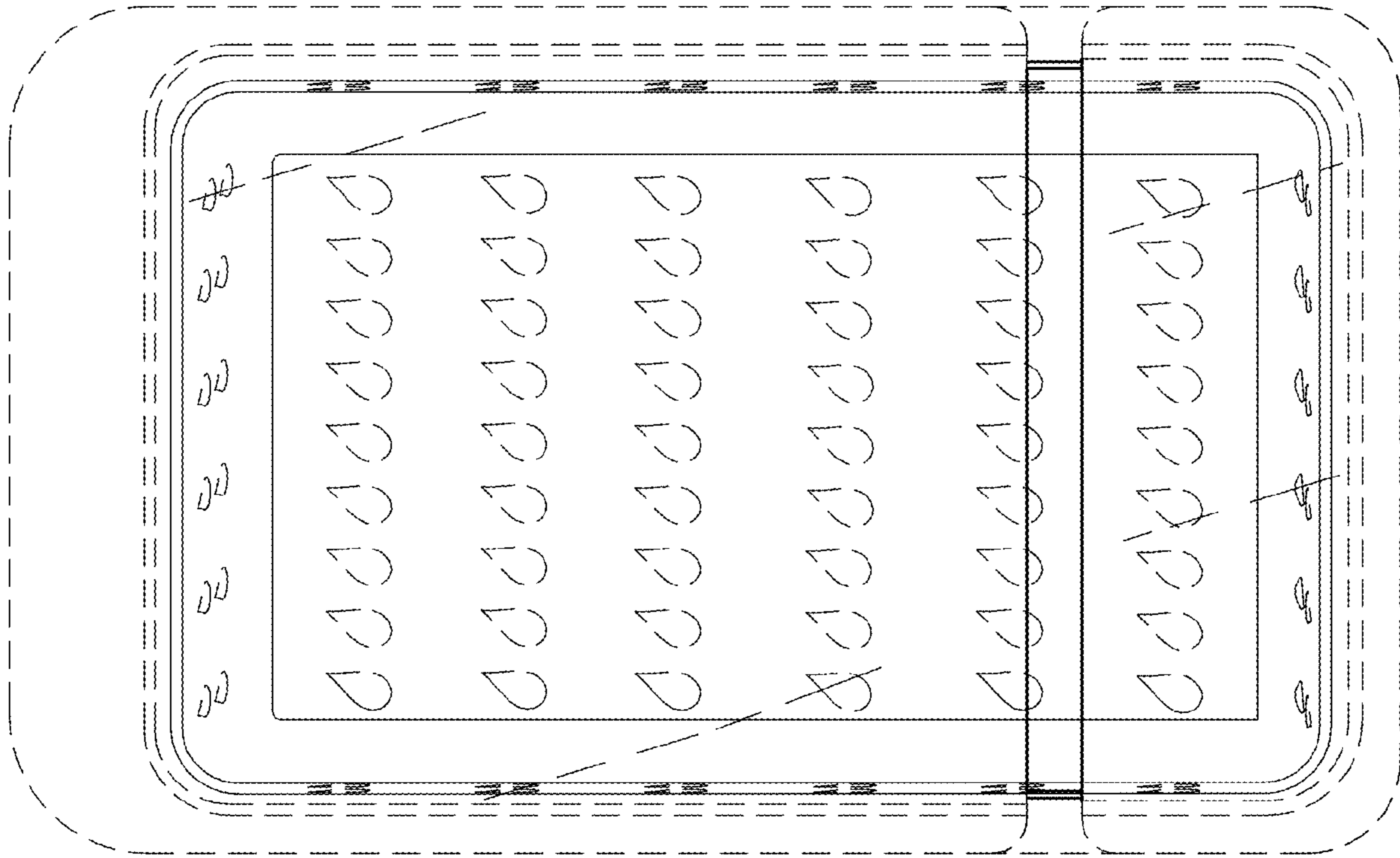


Figure 6

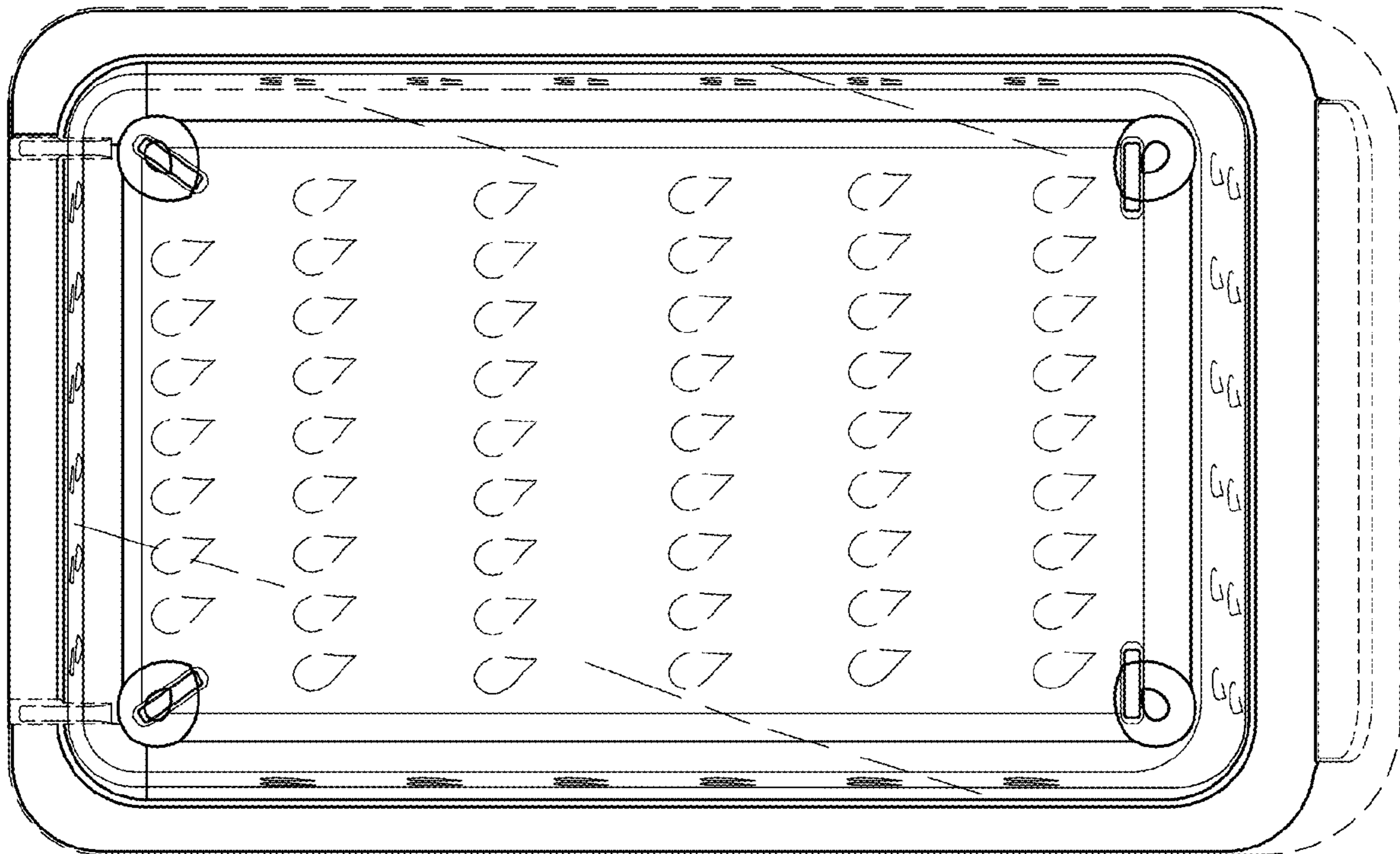


Figure 7