



US00D871160S

(12) **United States Design Patent** (10) **Patent No.:** **US D871,160 S**
Sato (45) **Date of Patent:** **** Dec. 31, 2019**

(54) **FISH BODY POSITION FIXATION PLATE**

(71) Applicant: **NIKKO CO., LTD.**, Hokkaido (JP)

(72) Inventor: **Kazuo Sato**, Kushiro (JP)

(73) Assignee: **Nikko Co., Ltd.**, Hokkaido (JP)

(**) Term: **15 Years**

(21) Appl. No.: **35/504,901**

(22) Filed: **Nov. 10, 2017**

(80) **Hague Agreement Data**

Int. Filing Date: **Nov. 10, 2017**

Int. Reg. No.: **DM/100243**

Int. Reg. Date: **Nov. 10, 2017**

Int. Reg. Pub. Date: **May 11, 2018**

(30) **Foreign Application Priority Data**

May 16, 2017 (JP) 2017-11911

(51) **LOC (12) Cl.** **07-07**

(52) **U.S. Cl.**

USPC **D7/601**

(58) **Field of Classification Search**

USPC D7/601, 693, 369, 688

CPC A22B 5/16; A22B 5/0017; A22B 5/0047;

A22B 5/0023; A22C 25/14

See application file for complete search history.

(56) **References Cited**

U.S. PATENT DOCUMENTS

2,717,414 A * 9/1955 Kline A22C 25/06
452/195

3,510,910 A * 5/1970 Erkins A22C 25/145
452/107

4,291,436 A * 9/1981 Wulff A22C 25/147
452/116

4,583,265 A * 4/1986 Kristinsson A22C 25/14
452/155

4,977,644 A * 12/1990 Evans A22C 25/06
269/258

5,163,865 A * 11/1992 Smith A22C 17/0086
452/157

5,352,152 A * 10/1994 Claudon A22C 25/14
452/121

5,505,658 A * 4/1996 Palmason A22C 25/08
452/136

D393,982 S * 5/1998 Pulitano D19/90

6,041,528 A * 3/2000 Broach E02F 3/6481
37/416

* cited by examiner

Primary Examiner — Mary Ann Calabrese

Assistant Examiner — Jennifer L Rempfer

(74) *Attorney, Agent, or Firm* — Osha Liang LLP

(57) **CLAIM**

The ornamental design for a fish body position fixation plate, as shown and described.

DESCRIPTION

Figure 1.1 shows a back view of a fish body position fixation plate according to my new design;

Figure 1.2 shows a front view of a fish body position fixation plate according to my new design;

Figure 1.3 shows a right view of a fish body position fixation plate according to my new design;

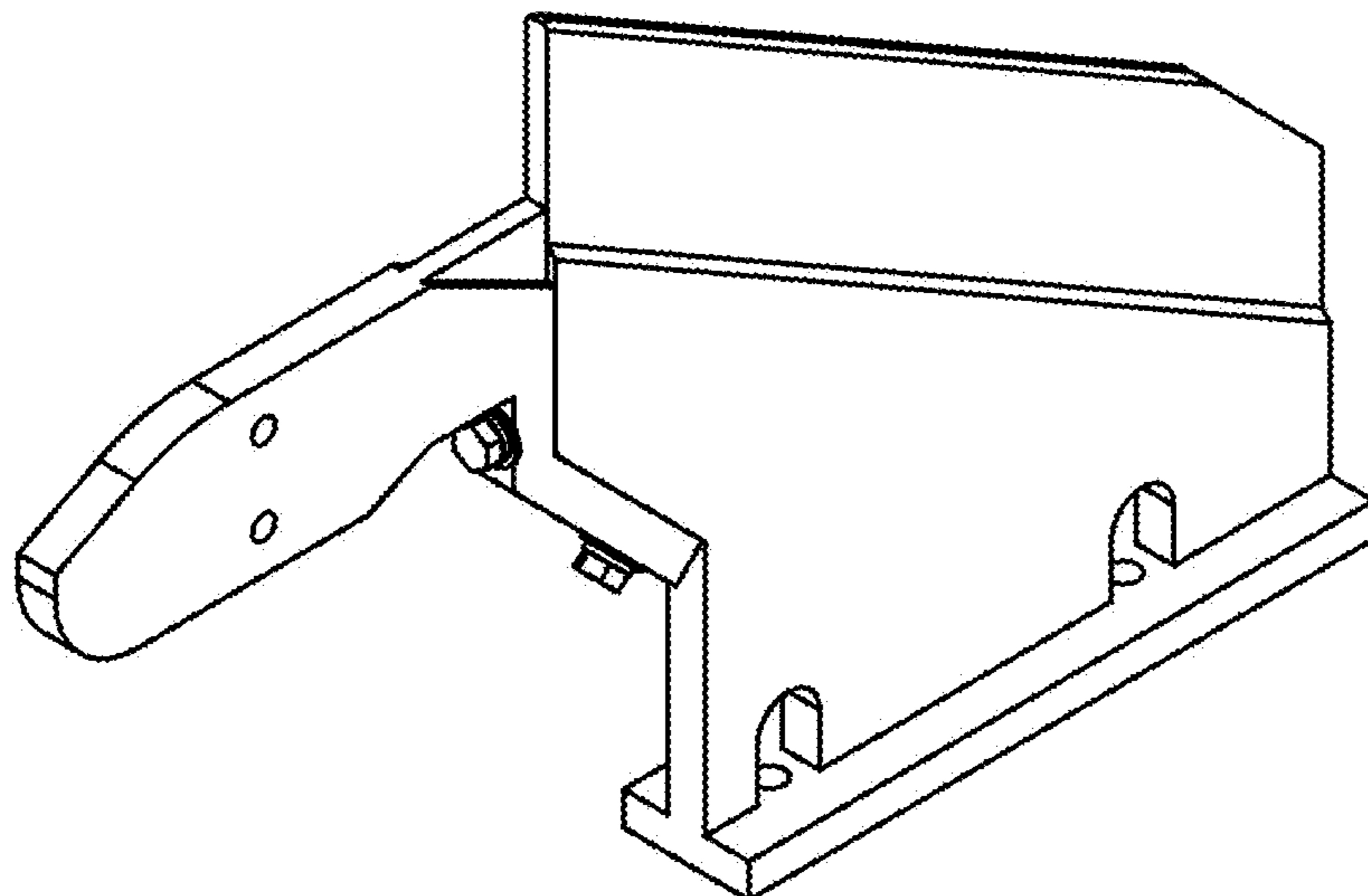
Figure 1.4 shows a left view of a fish body position fixation plate according to my new design;

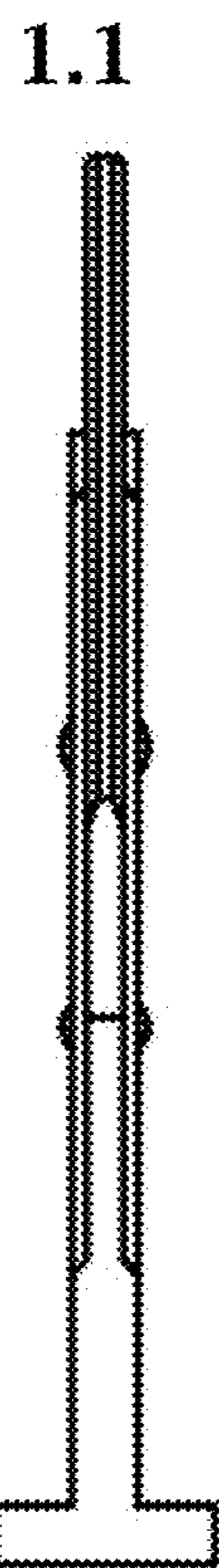
Figure 1.5 shows a back view of a fish body position fixation plate according to my new design;

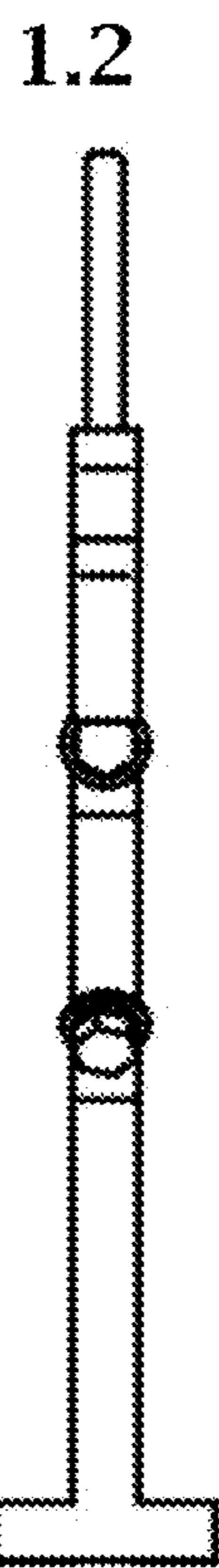
Figure 1.6 shows a bottom view of a fish body position fixation plate according to my new design; and

Figure 1.7 shows a perspective view of a fish body position fixation plate according to my new design.

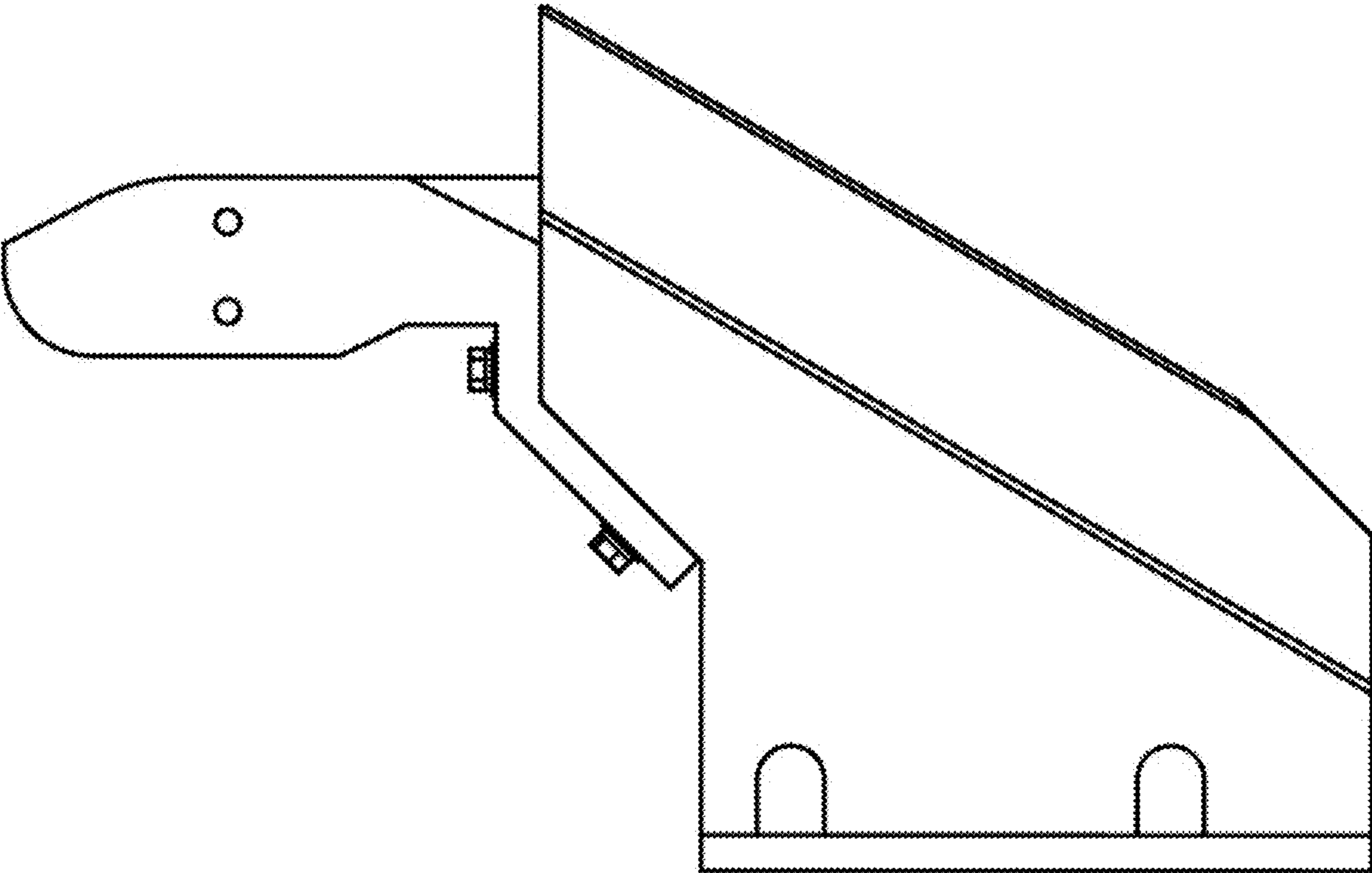
1 Claim, 7 Drawing Sheets



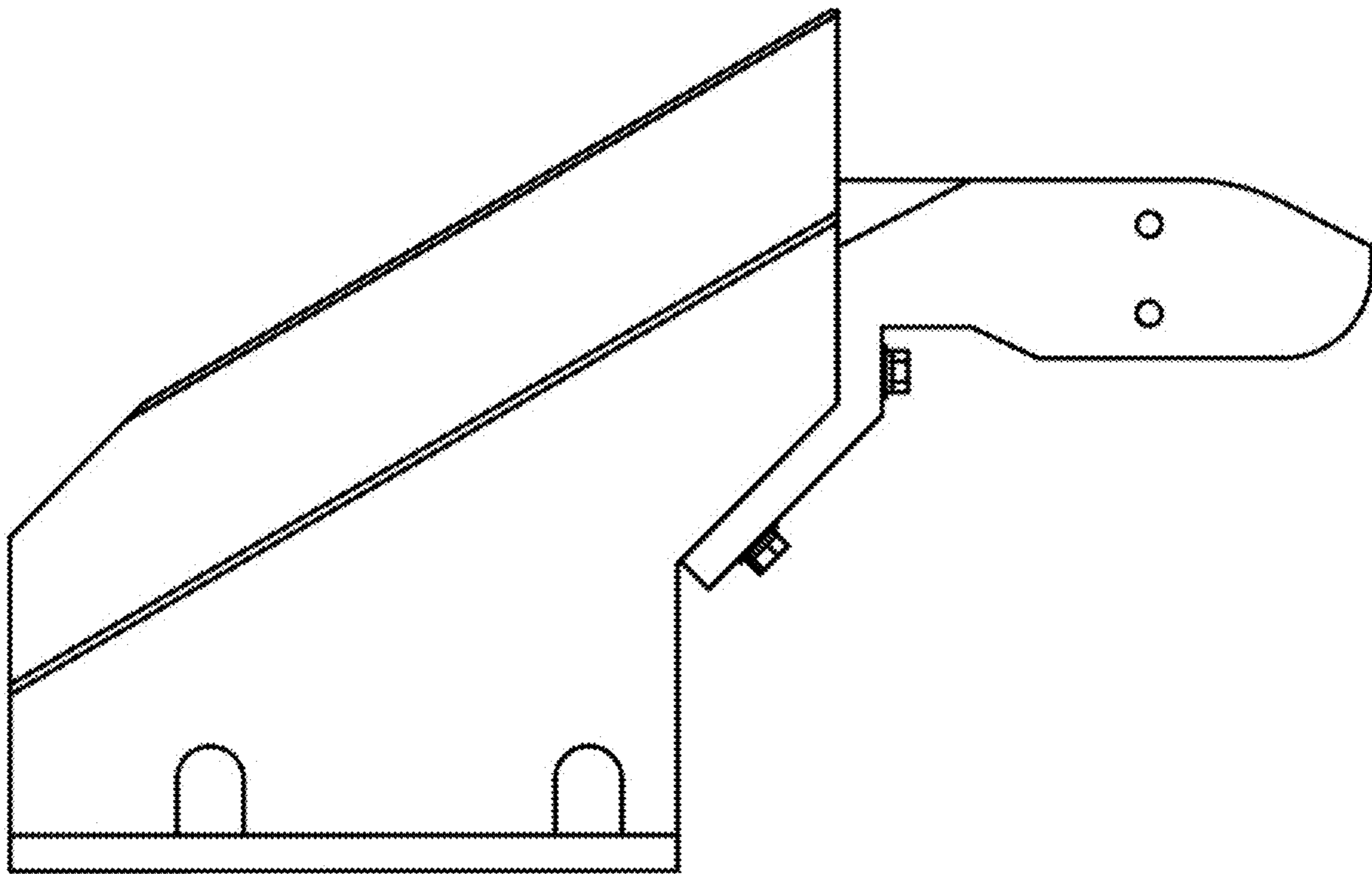




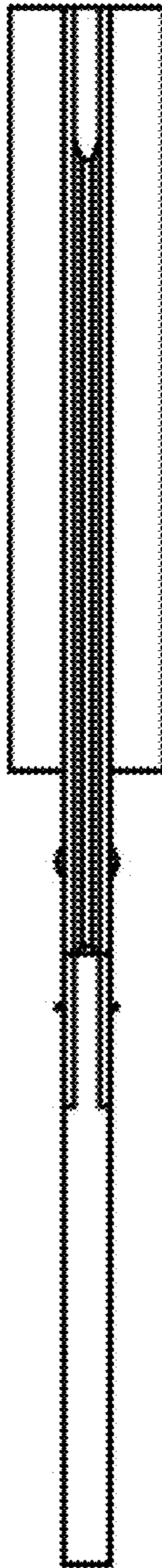
1.3



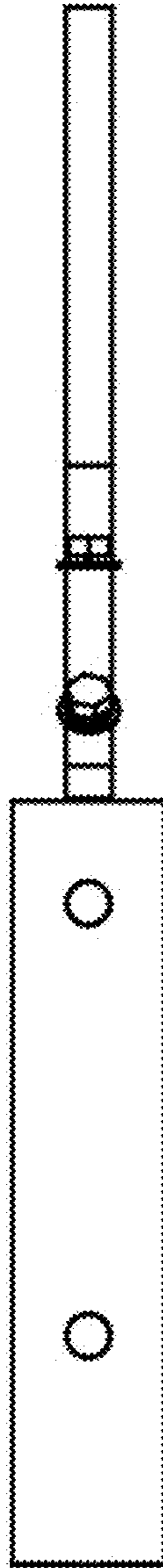
1.4



1.5



1.6



1.7

