

US00D871159S

(12) **United States Design Patent** (10) **Patent No.:** **US D871,159 S**
Ellison et al. (45) **Date of Patent:** **** Dec. 31, 2019**

(54) **BOWL**
(71) Applicant: **YETI Coolers, LLC**, Austin, TX (US)
(72) Inventors: **Kyle Ellison**, Austin, TX (US); **Dustin Bullock**, Austin, TX (US); **Colin Darling**, Austin, TX (US)
(73) Assignee: **YETI Coolers, LLC**, Austin, TX (US)
(**) Term: **15 Years**
(21) Appl. No.: **29/658,678**
(22) Filed: **Aug. 1, 2018**
(51) **LOC (12) Cl.** **07-01**
(52) **U.S. Cl.**
USPC **D7/587**
(58) **Field of Classification Search**
USPC D7/500, 587, 565, 560, 543
(Continued)

(56) **References Cited**
U.S. PATENT DOCUMENTS
1,567,234 A * 12/1925 Brucker A21B 3/13
249/136
D119,166 S * 2/1940 Guild D7/565
(Continued)

FOREIGN PATENT DOCUMENTS
CN 301376984 11/2010
CN 301447169 1/2011
(Continued)

Primary Examiner — Cynthia R Underwood
(74) *Attorney, Agent, or Firm* — Banner & Witcoff, Ltd.

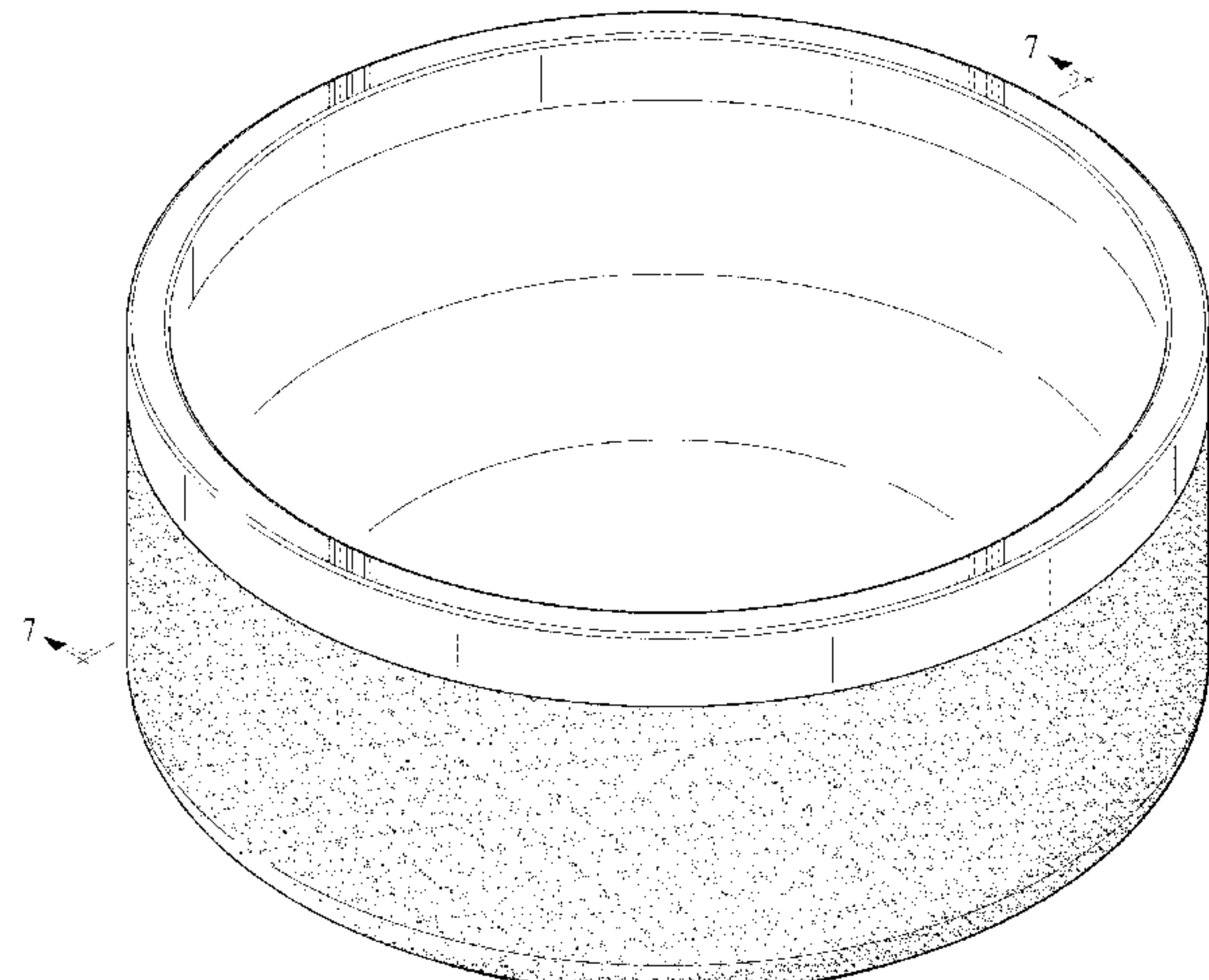
(57) **CLAIM**
The ornamental design for a bowl, as shown and described.

DESCRIPTION

The file of this patent contains at least one drawing executed in color. Copies of this patent with color drawings will be provided by the Office upon request and payment.

FIG. 1 is a top, front, right perspective view of a bowl showing our new design;
FIG. 2 is a front view thereof, wherein the rear view is a mirror image of FIG. 2;
FIG. 3 is a right side view thereof, wherein the left side view is a mirror image of FIG. 3;
FIG. 4 is a top view thereof;
FIG. 5 is a bottom view thereof;
FIG. 6 is a cross-sectional view at 6-6 in FIG. 4 thereof;
FIG. 7 is a cross-sectional view at 7-7 in FIG. 1 thereof;
FIG. 8 is a top, front, right perspective view of a first alternative claimed configuration of the tumbler of FIGS. 1-5 showing our new design;
FIG. 9 is a front view thereof, wherein the rear view is a mirror image of FIG. 9;
FIG. 10 is a right side view thereof, wherein the left side view is a mirror image of FIG. 10;
FIG. 11 is a top view thereof;
FIG. 12 is a bottom view thereof;
FIG. 13 is a top, front, right perspective view of a second alternative claimed configuration of the tumbler of FIGS. 1-5 showing our new design;
FIG. 14 is a front view thereof; wherein the rear view is a mirror image of FIG. 14;
FIG. 15 is a right side view thereof, wherein the left side view is a mirror image of FIG. 15;
FIG. 16 is a top view thereof;
FIG. 17 is a bottom view thereof;
FIG. 18 is a top, front, right perspective view of a third alternative claimed configuration of the tumbler of FIGS. 1-5 showing our new design;
FIG. 19 is a front view thereof, wherein the rear view is a mirror image of FIG. 19;
FIG. 20 is a right side view thereof, wherein the left side view is a mirror image of FIG. 20;
FIG. 21 is a top view thereof; and,
FIG. 22 is a bottom view thereof.
The broken lines depicting the remainder of the tumbler show features that form no part of the claimed design. The contrast in shading shown in FIGS. 1-5 and 7-8 represents a contrast in appearance only and does not represent any particular color, material, texture or finish.

1 Claim, 22 Drawing Sheets
(Continued)



(8 of 22 Drawing Sheet(s) Filed in Color)

(58) Field of Classification Search

CPC A47G 19/025; A47G 19/02
See application file for complete search history.

(56) References Cited

U.S. PATENT DOCUMENTS

D175,753 S *	10/1955	Barnhart	D7/540
D243,912 S *	4/1977	Daenen	D7/584
D250,929 S *	1/1979	Gerstman	D7/565
D286,726 S *	11/1986	Daenen	D7/587
D304,275 S	10/1989	Kiefer	
D376,960 S	12/1996	Ferris	
D382,766 S *	8/1997	Hamada	D7/354
D394,189 S *	5/1998	Reynaert	D7/523
D412,226 S	7/1999	Bellehumeur	
D426,427 S	6/2000	Rubbright et al.	
D442,831 S *	5/2001	Jacobs	D7/584
D483,229 S	12/2003	Maier-Aichen	
D511,074 S *	11/2005	Claypool	D7/602
D549,040 S *	8/2007	Henry	D7/354
D563,607 S	3/2008	Northrop	
D564,710 S	3/2008	Modi et al.	
D564,711 S	3/2008	Modi et al.	
D565,253 S	3/2008	Modi et al.	
D575,992 S *	9/2008	LeGreve	D7/586
D598,238 S *	8/2009	Durdon	D7/354
D601,309 S	9/2009	Babal	
D607,329 S *	1/2010	Diss	D7/587
D630,897 S *	1/2011	Jarvis	D7/407
D636,946 S	4/2011	Able	
D690,166 S *	9/2013	Montgomery	D7/586
D693,182 S	11/2013	Katterheinrich et al.	
D701,088 S *	3/2014	Hone	D7/505
D709,317 S *	7/2014	Cheng	D7/354

D738,159 S *	9/2015	Cheng	D7/354
D760,951 S *	7/2016	Bennett	D27/136
D761,061 S	7/2016	McConnell et al.	
D787,274 S *	5/2017	Gagnon	D7/586
D792,166 S *	7/2017	Kirsh	D7/601
D807,121 S *	1/2018	Mittal	D7/587
D823,643 S *	7/2018	Paul	D7/584
D828,726 S *	9/2018	Epley	D7/602
D845,715 S *	4/2019	Brownell	D7/545
2002/0112614 A1 *	8/2002	Zoss	A21B 3/131 99/426
2011/0162583 A1	7/2011	Rostamo et al.	
2014/0326189 A1	11/2014	Jain	

FOREIGN PATENT DOCUMENTS

CN	302323891	2/2013
CN	302859335	6/2014
CN	303304588	7/2015
CN	303488464	12/2015
CN	303694772	6/2016
CN	303953741	11/2016
CN	303990818	12/2016
CN	304164337	6/2017
CN	304238791	8/2017
CN	304255933	8/2017
CN	304373499	11/2017
CN	304448019	1/2018
CN	304480651	1/2018
CN	304490101	2/2018
EM	002547281-0001	10/2014
EP	001606385-0030	11/1919
EP	000146816-0002	6/2004
EP	000236880-0001	12/2004
EP	000467519-0002	2/2006
EP	000555289-0001	8/2006
EP	001606385-0031	11/2009
EP	003860097-0001	5/2017
KR	300826611.0000	11/2015

* cited by examiner

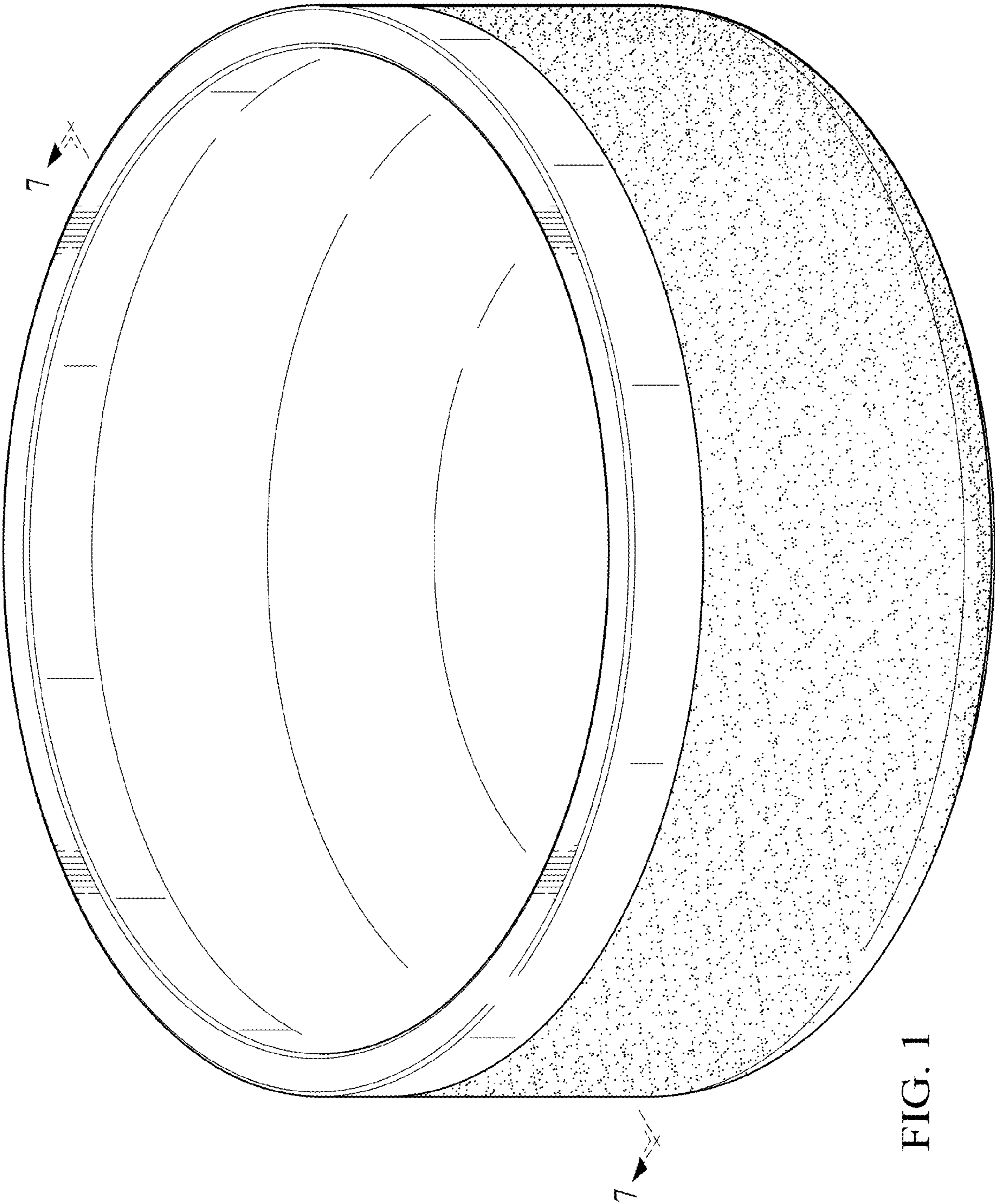


FIG. 1

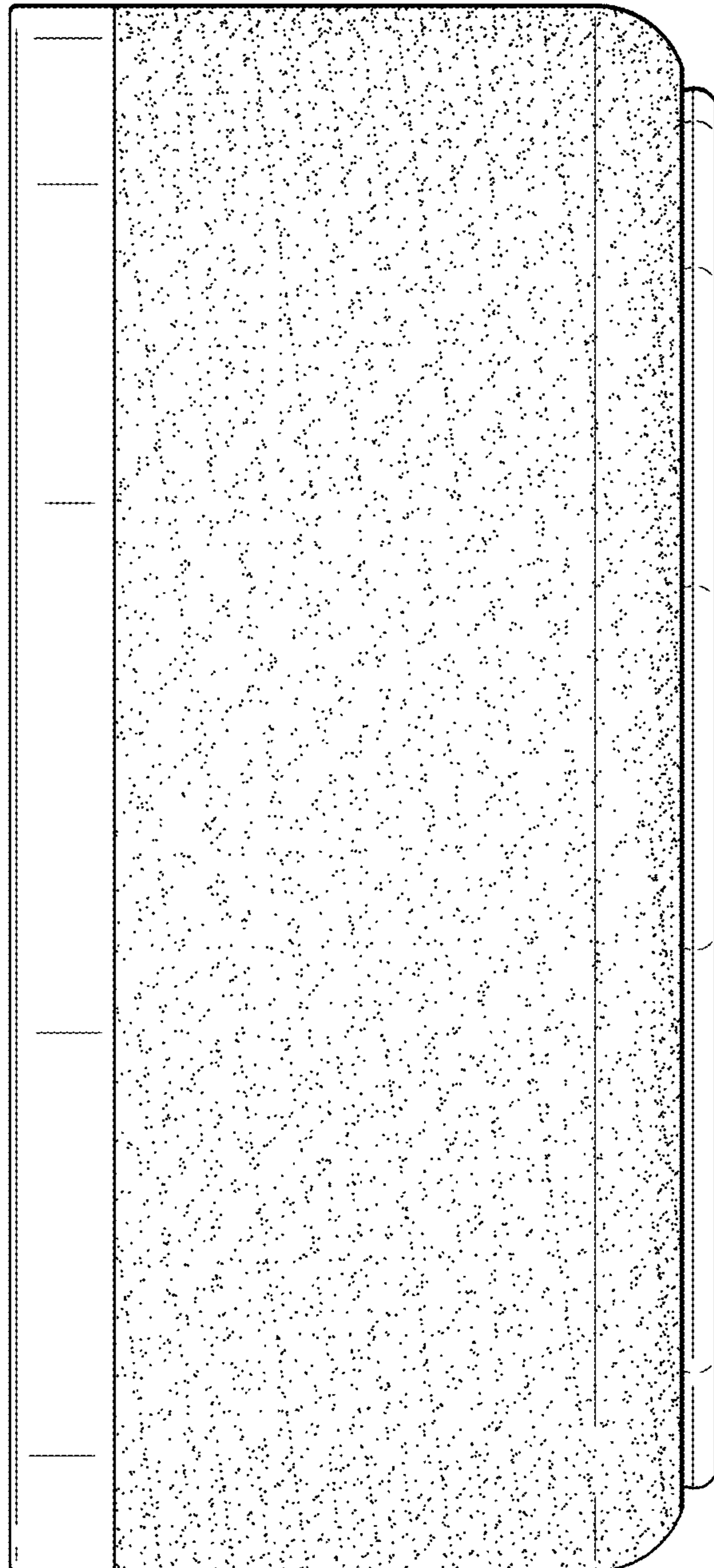


FIG. 2

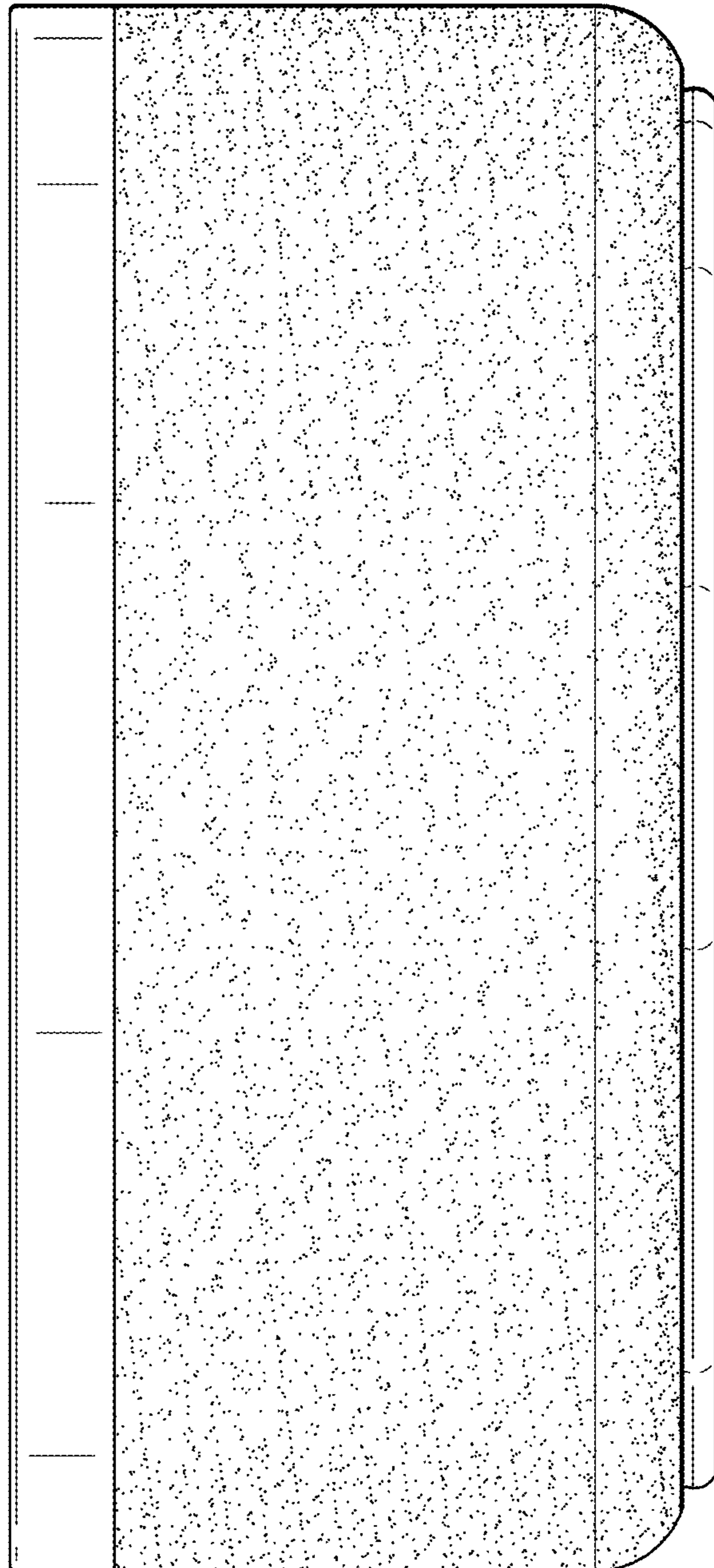


FIG. 3

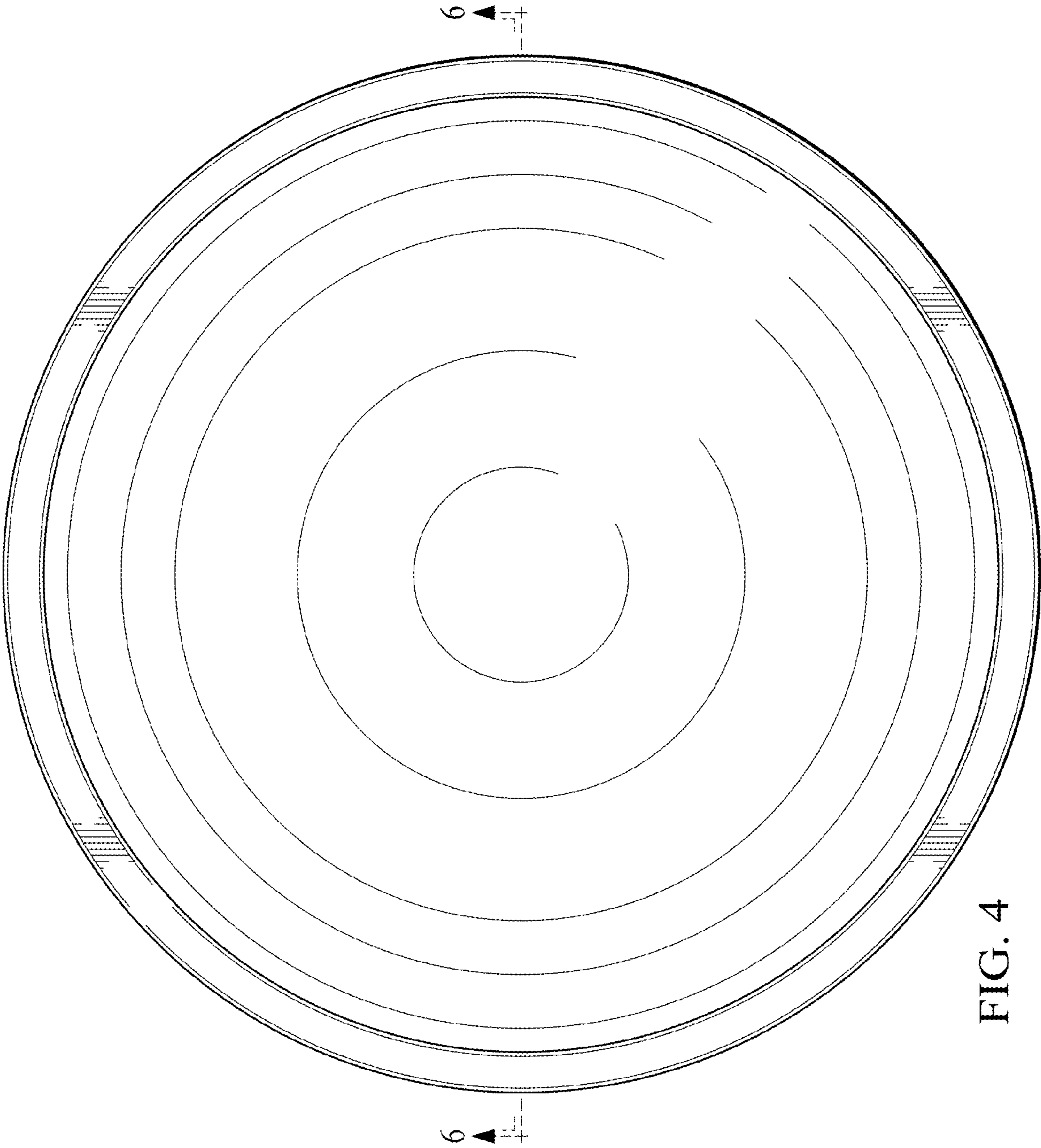


FIG. 4

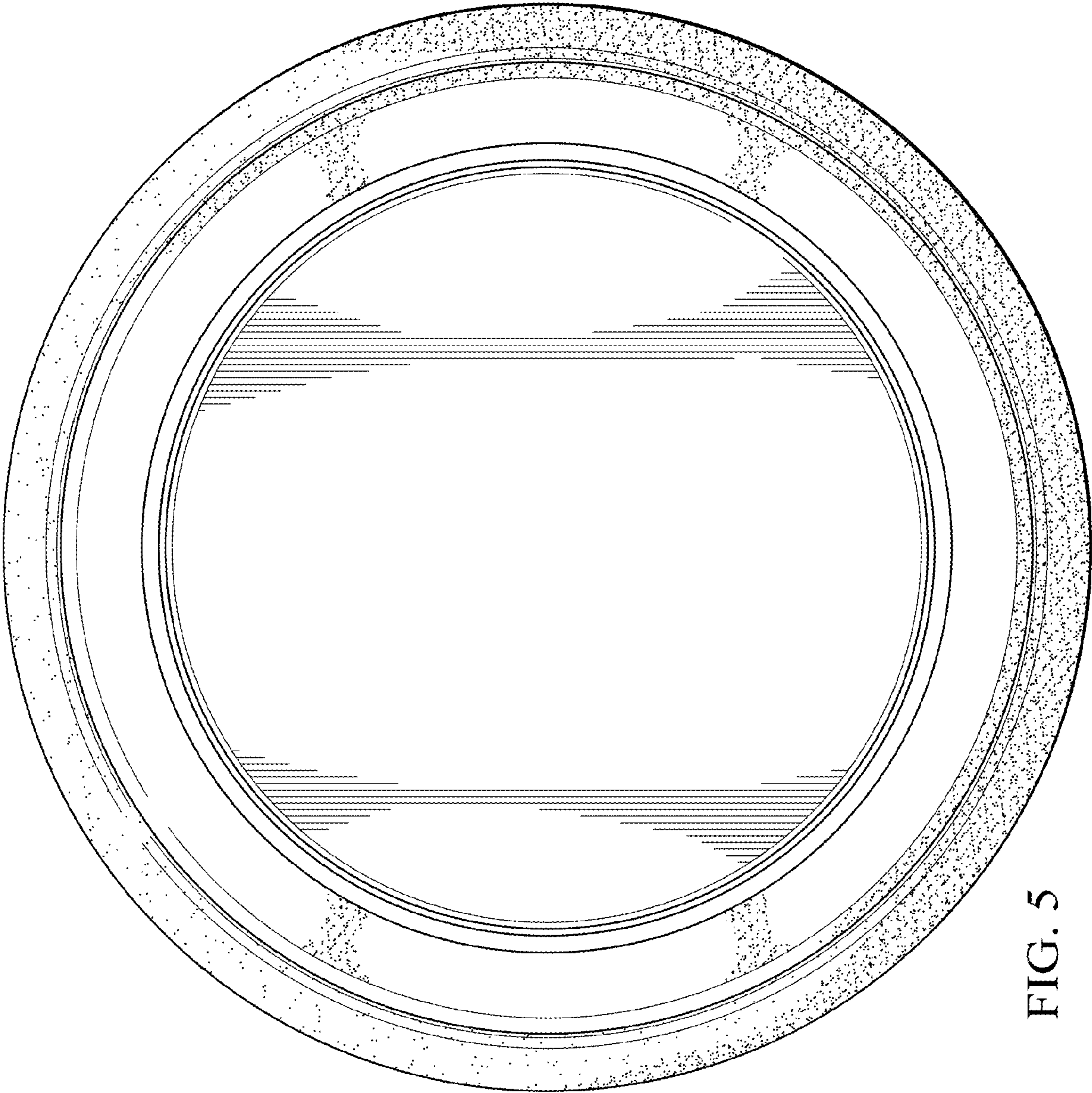


FIG. 5

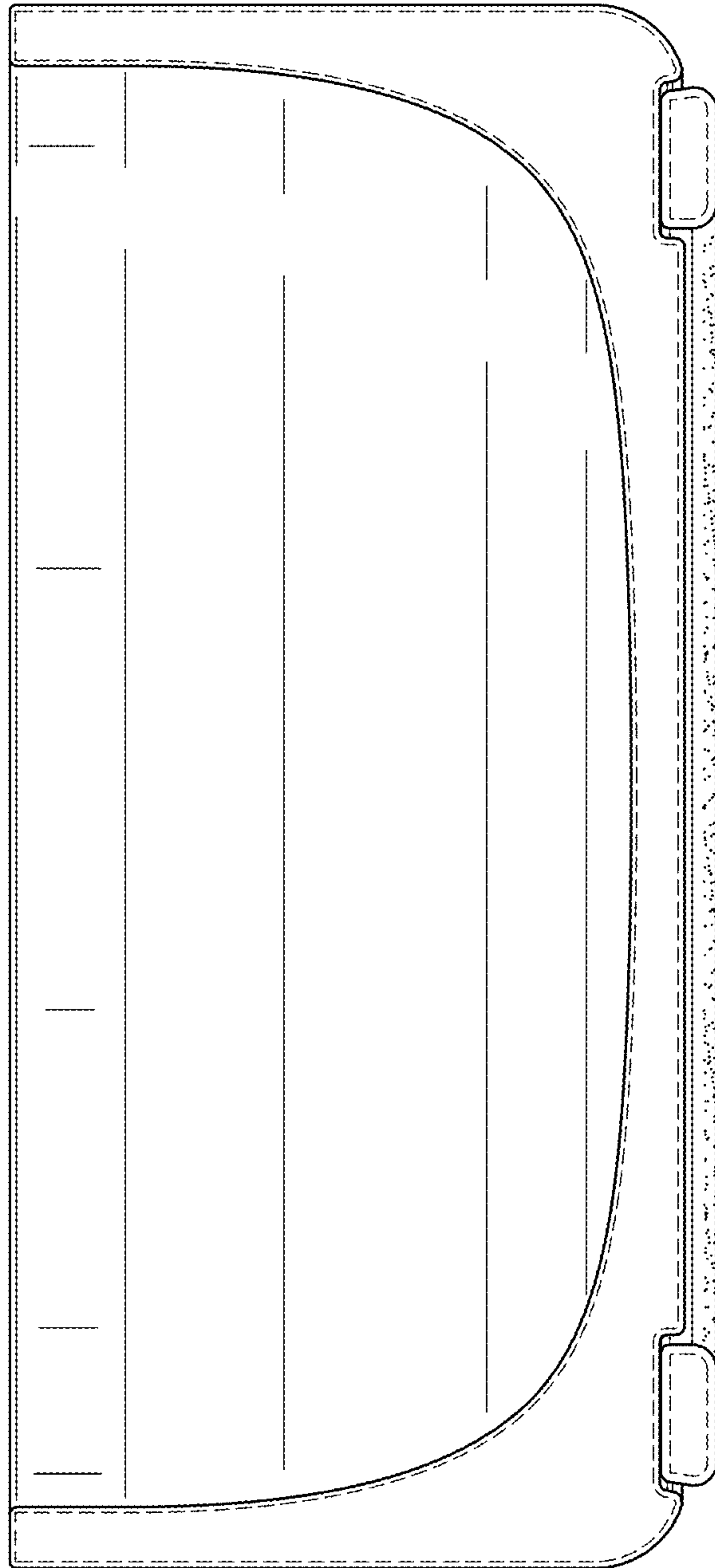


FIG. 6

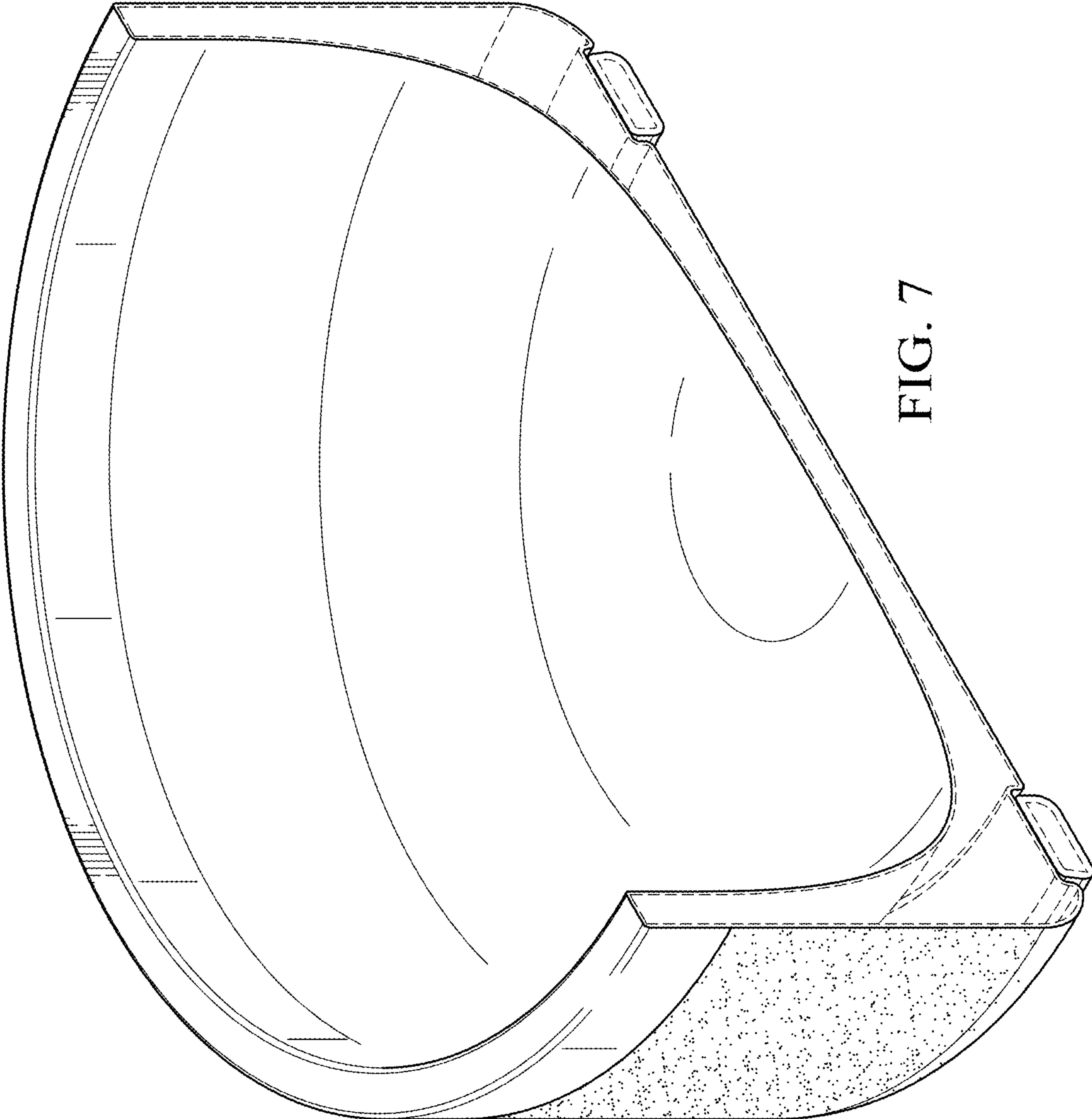


FIG. 7

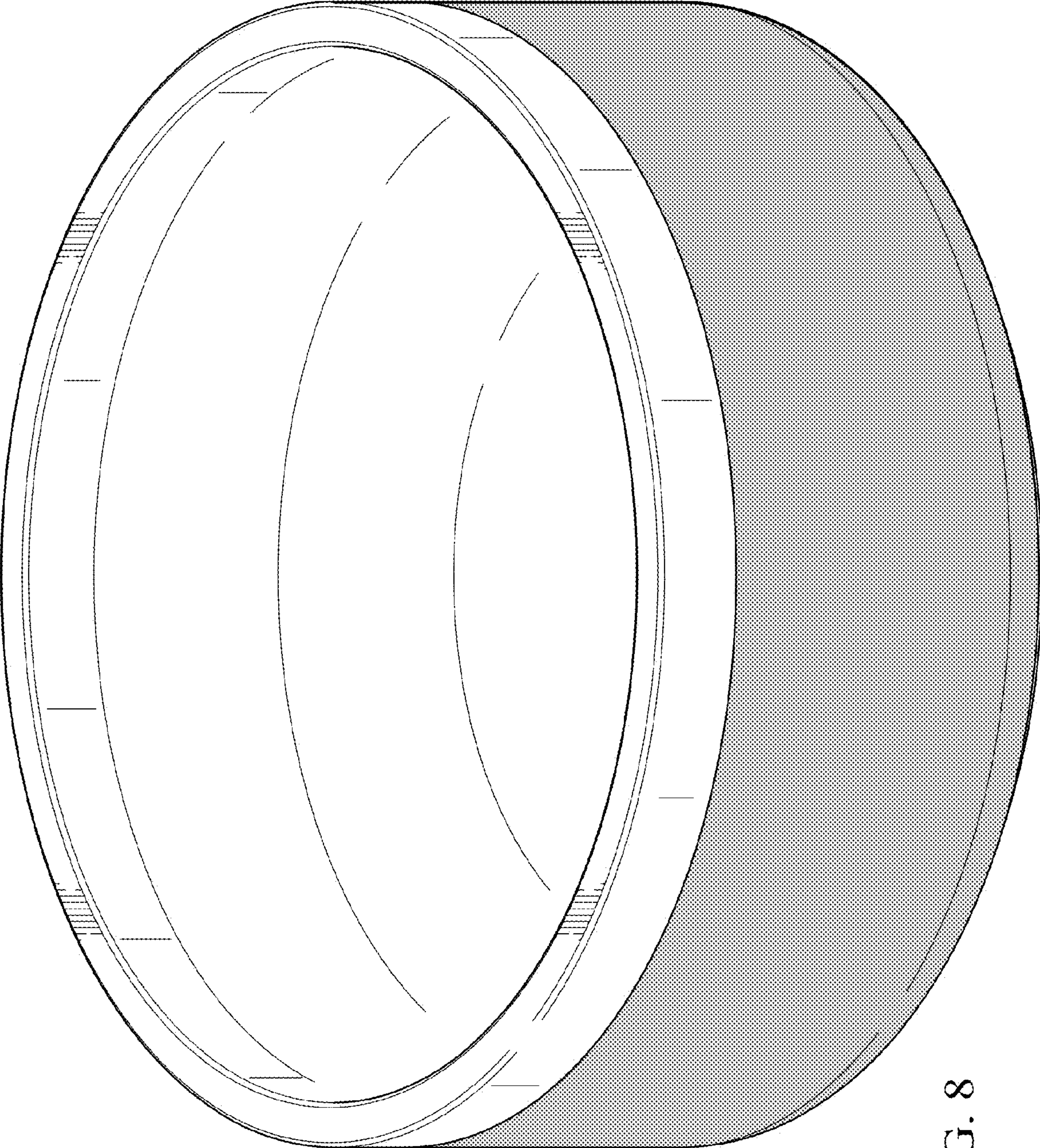


FIG. 8

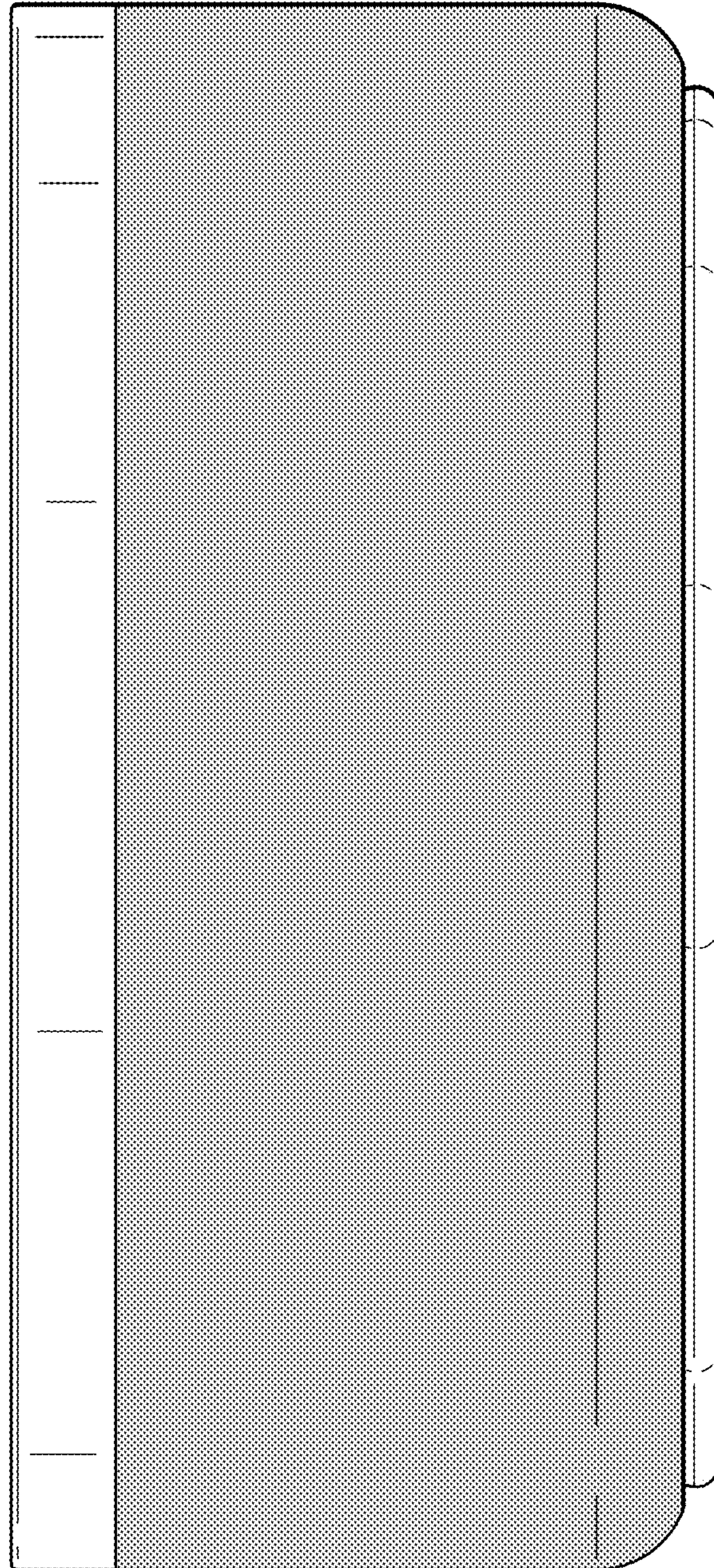


FIG. 9

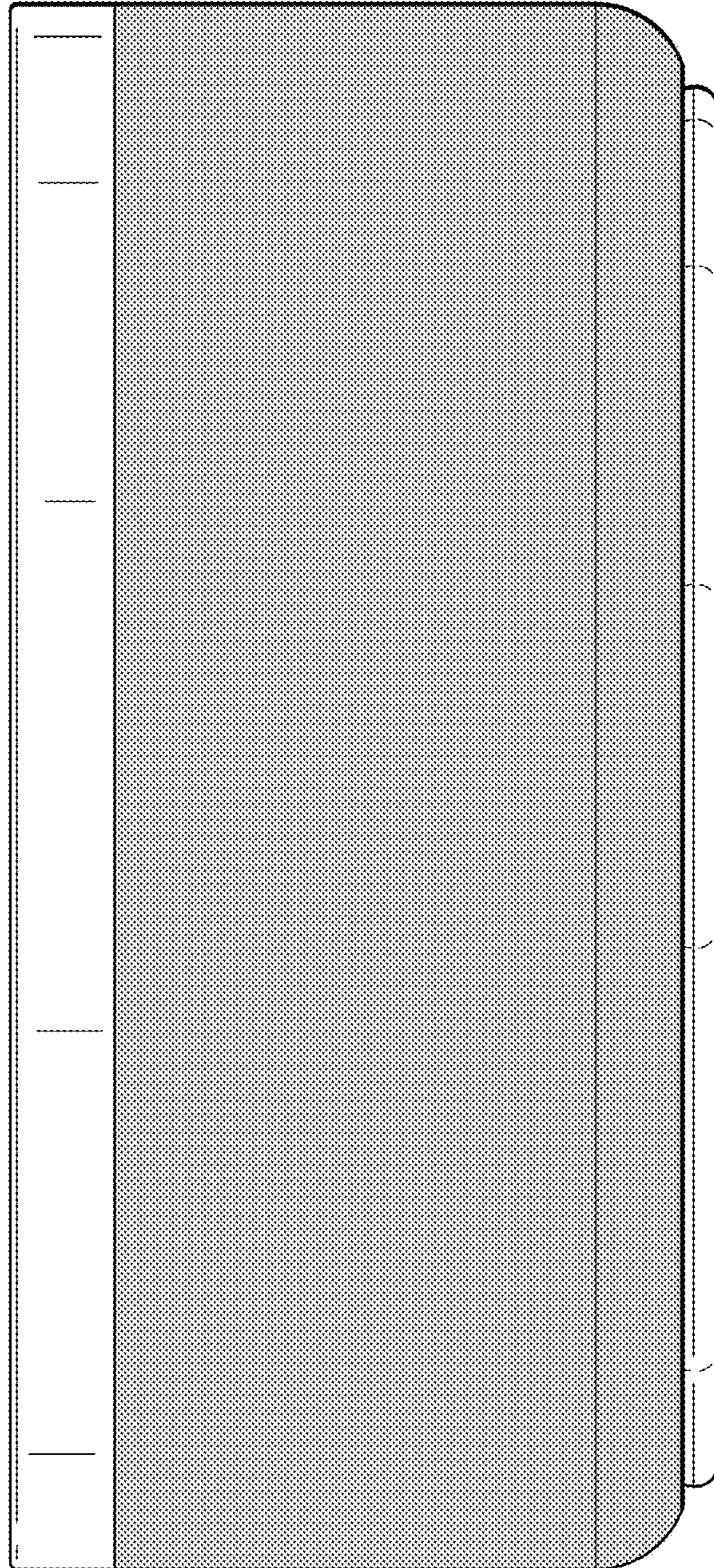


FIG. 10

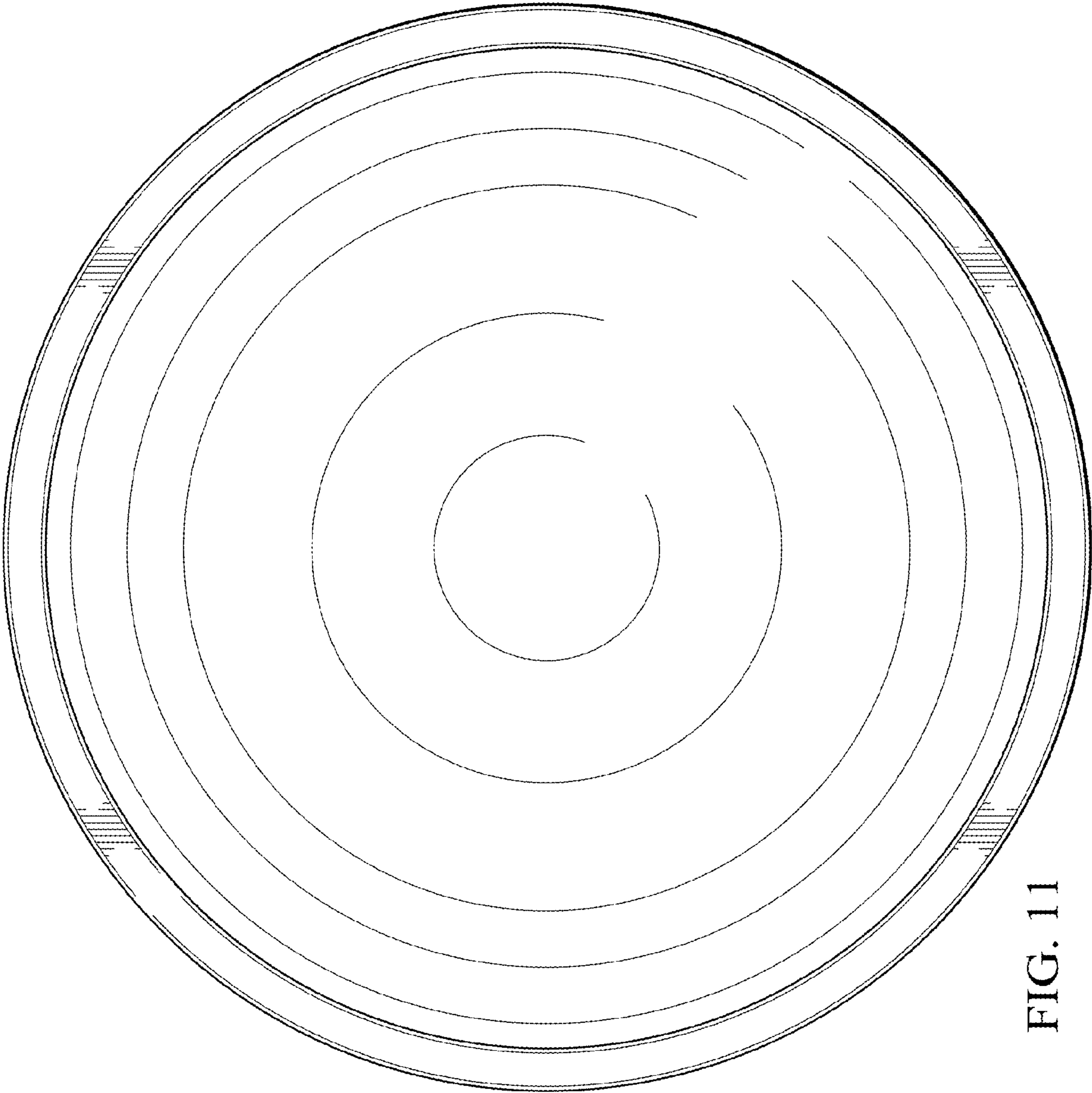


FIG. 11

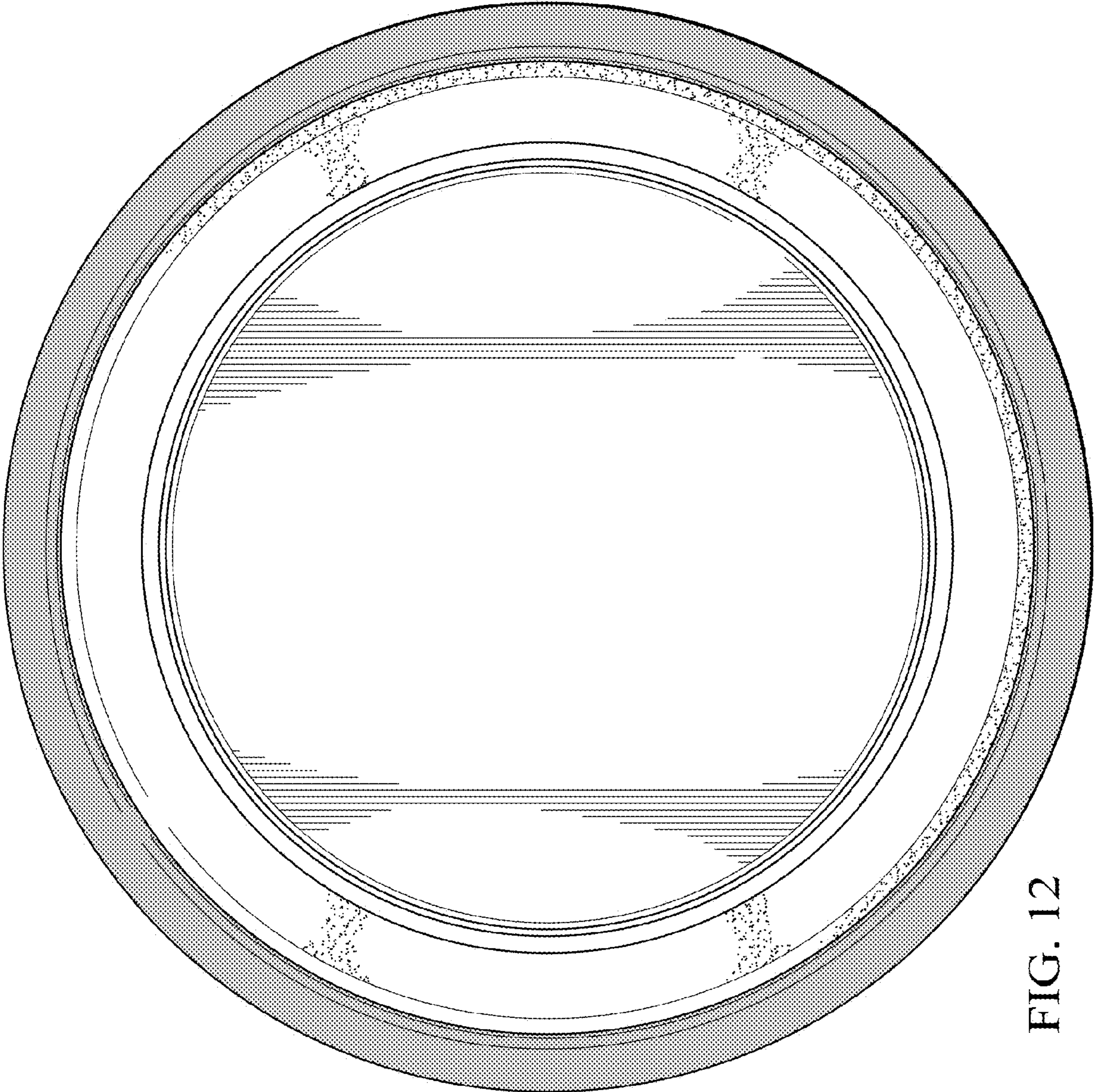


FIG. 12

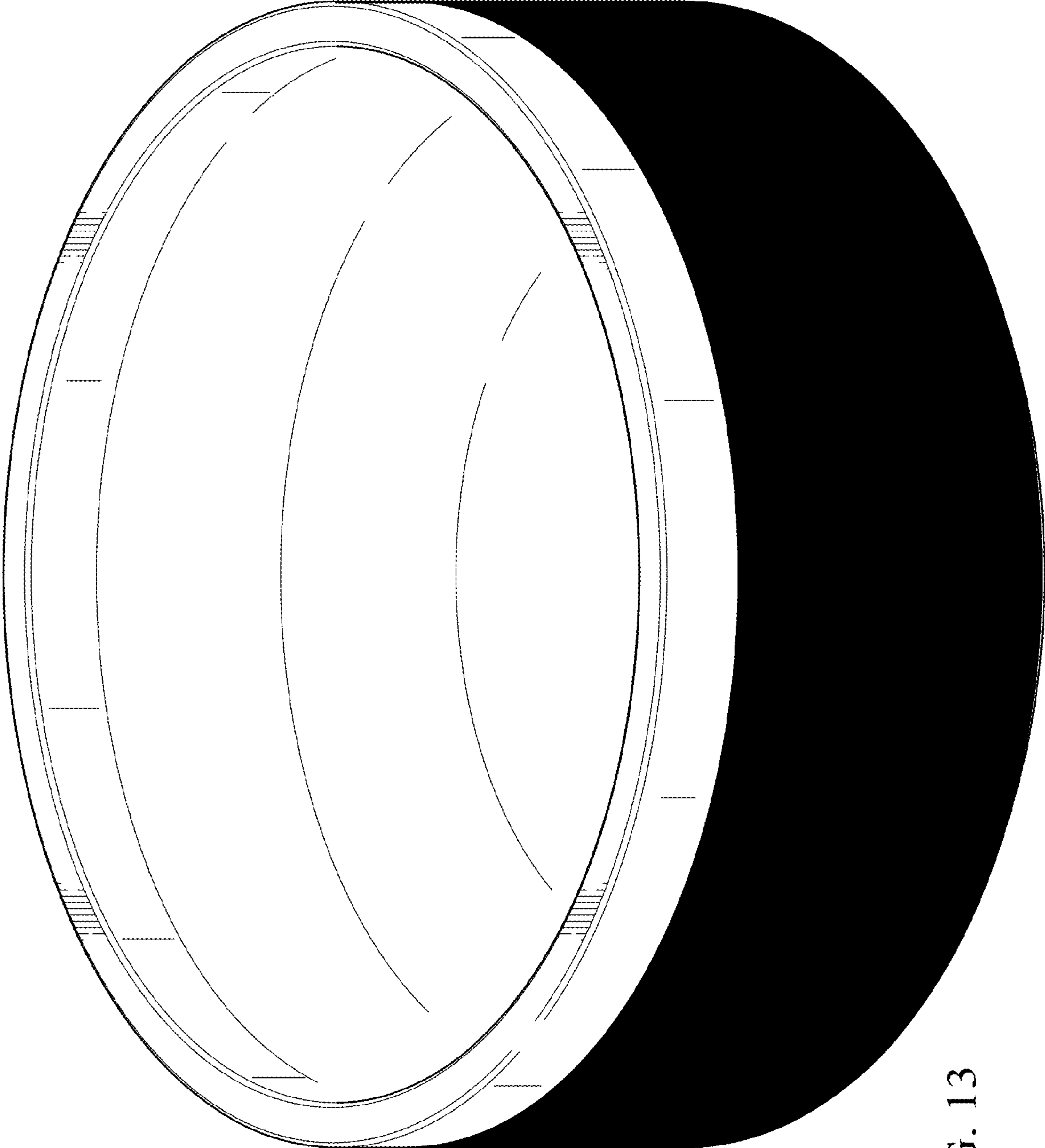


FIG. 13

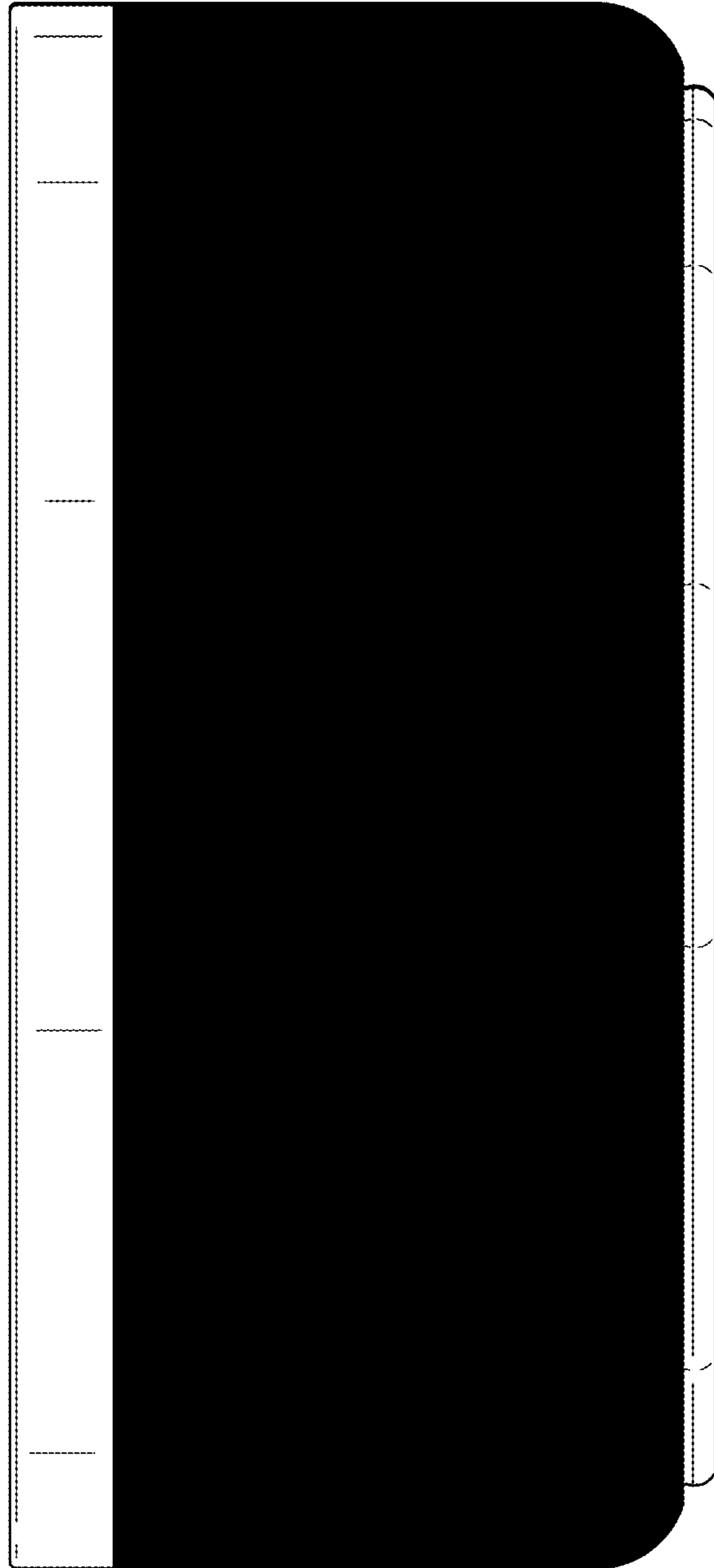


FIG. 14

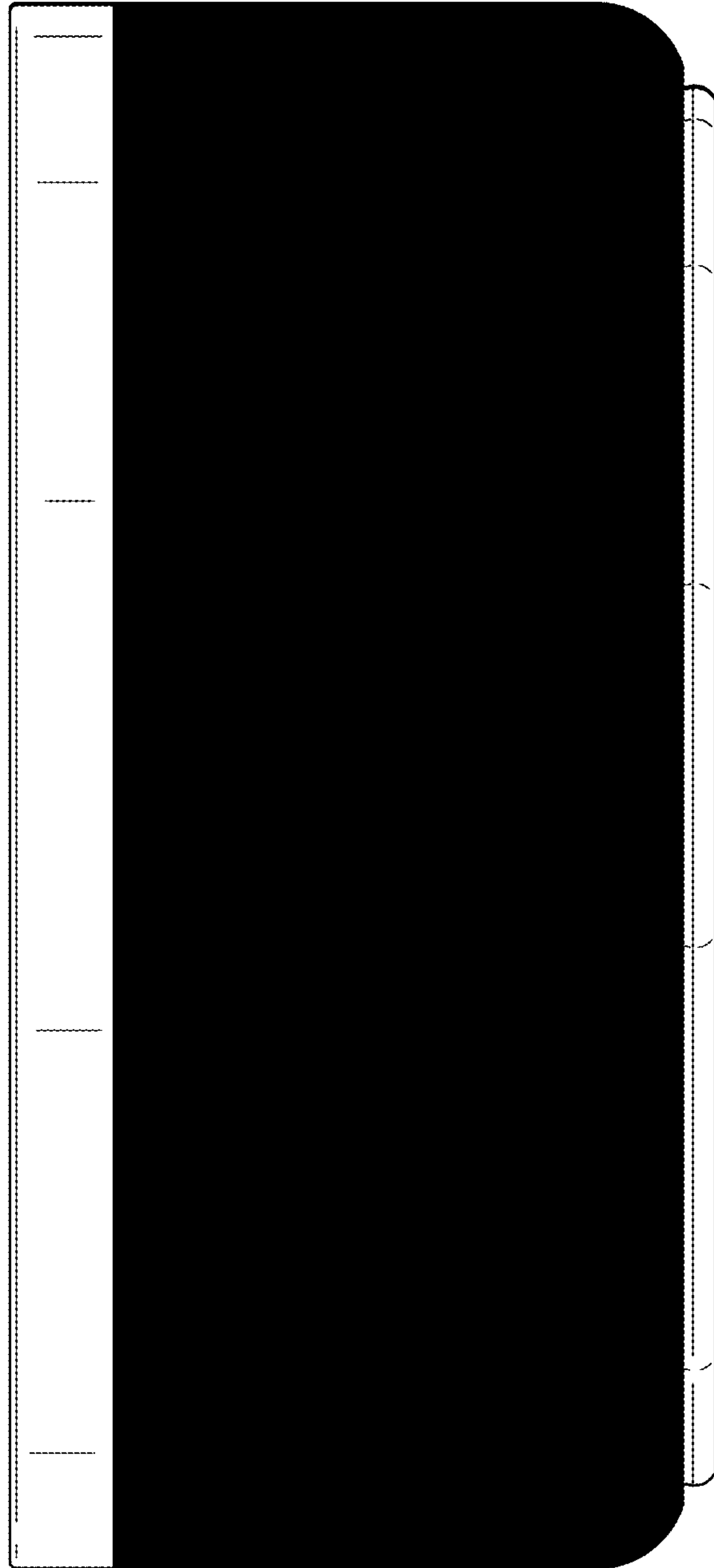


FIG. 15

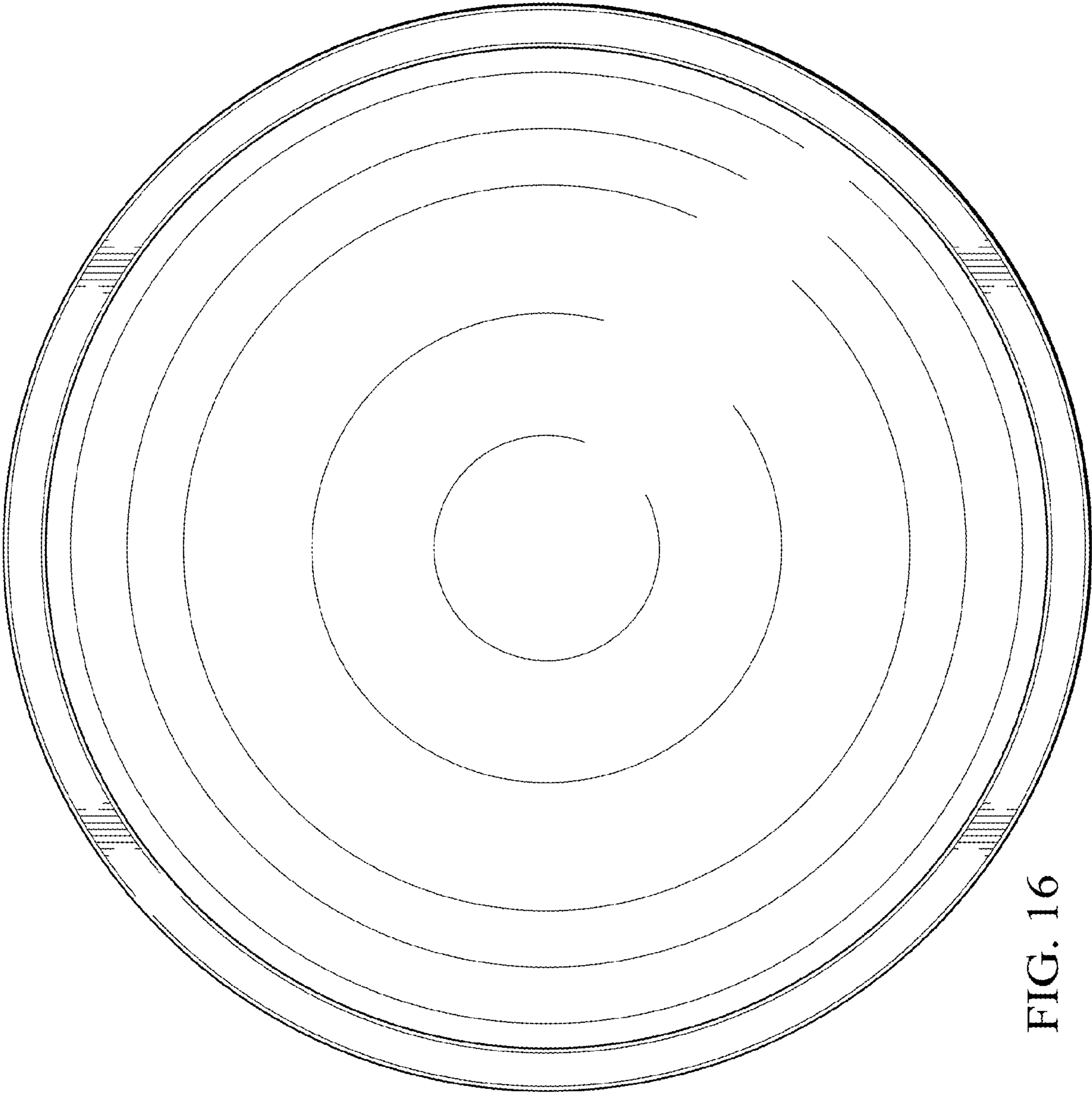


FIG. 16

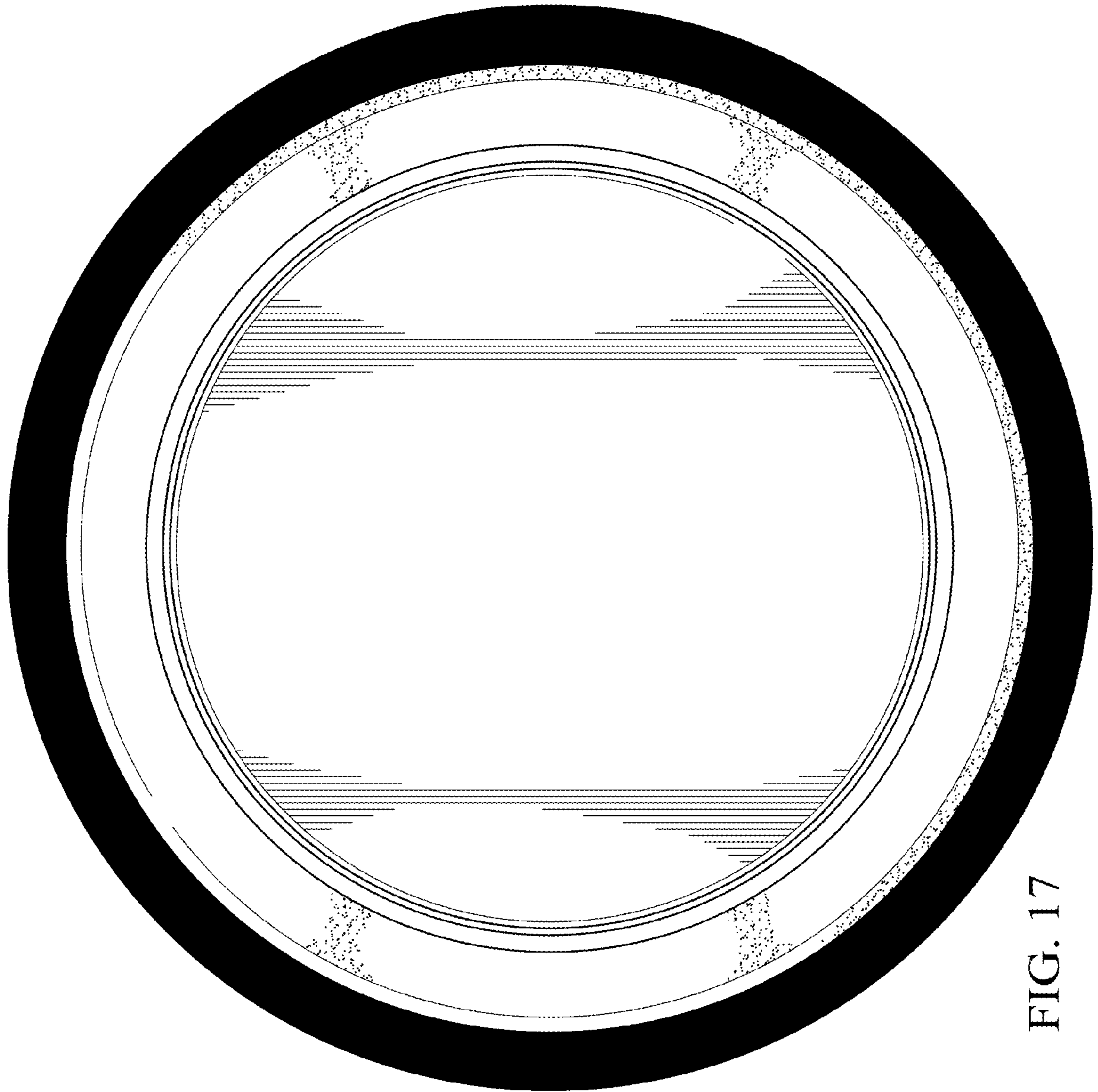


FIG. 17

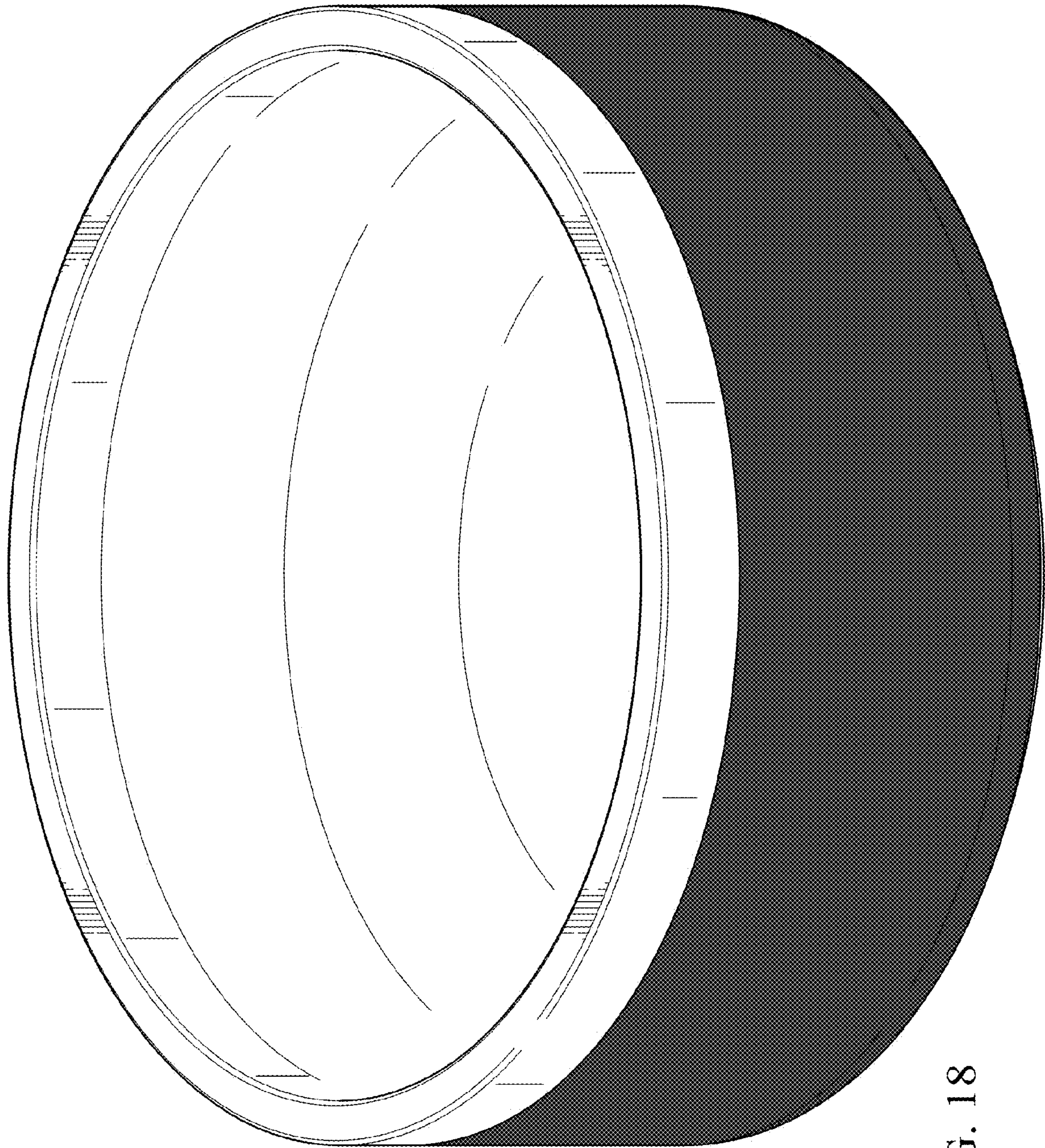


FIG. 18

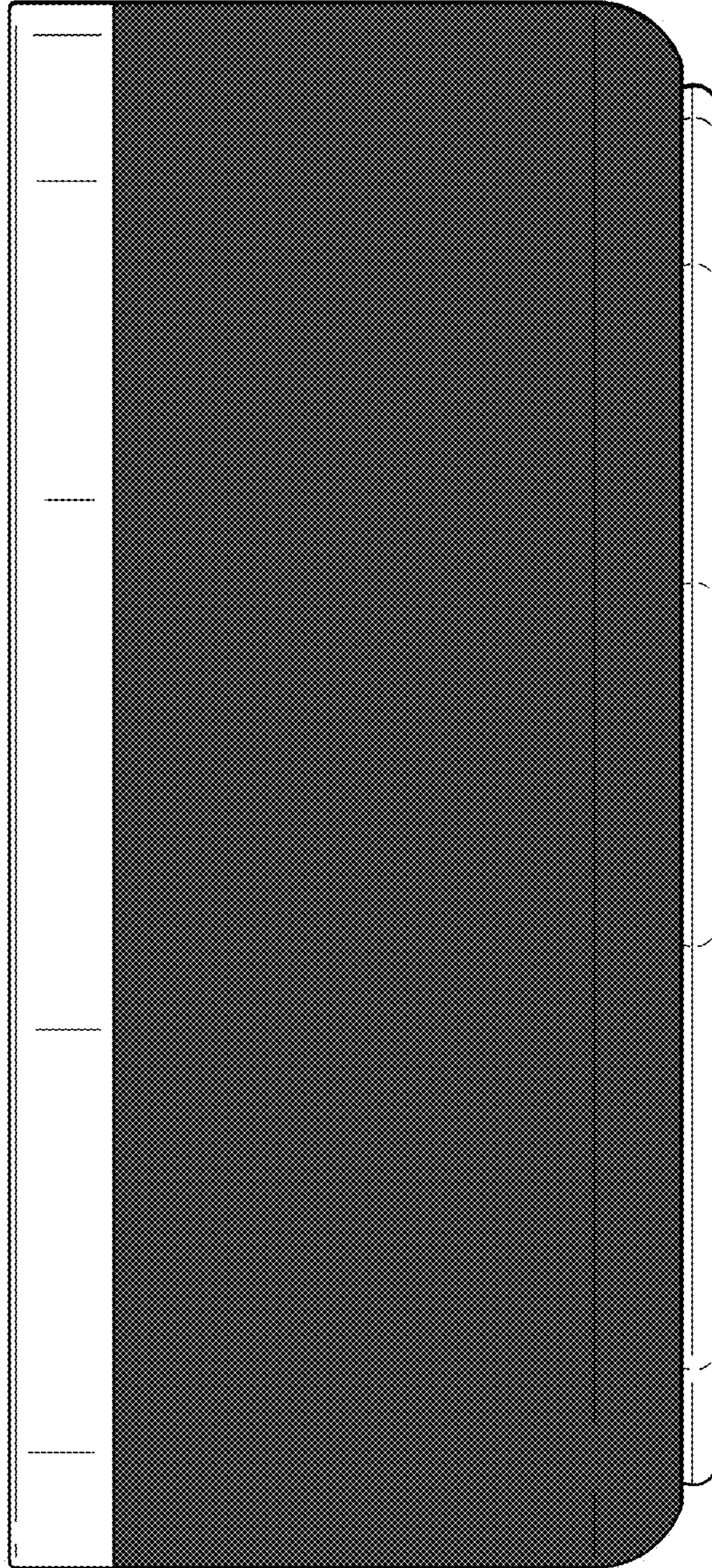


FIG. 19

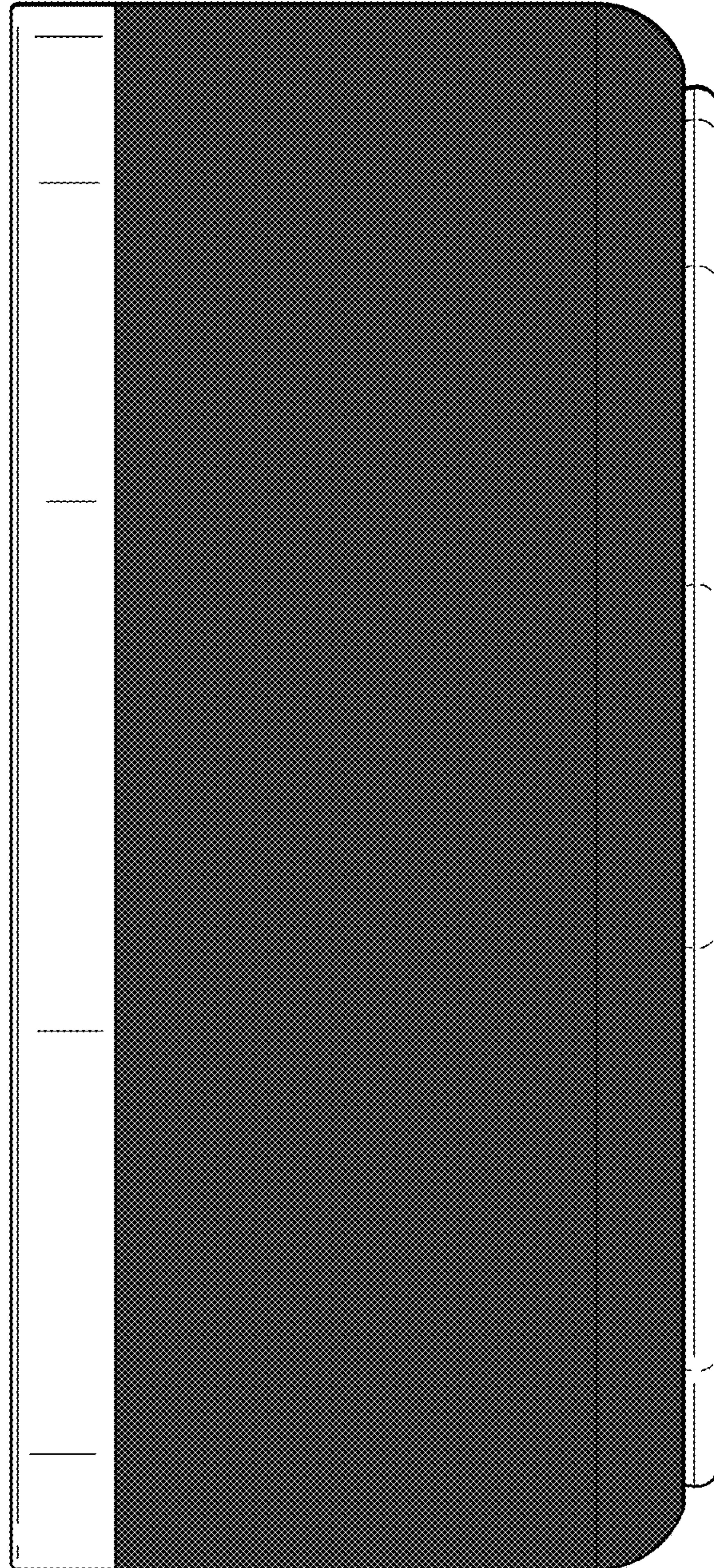


FIG. 20

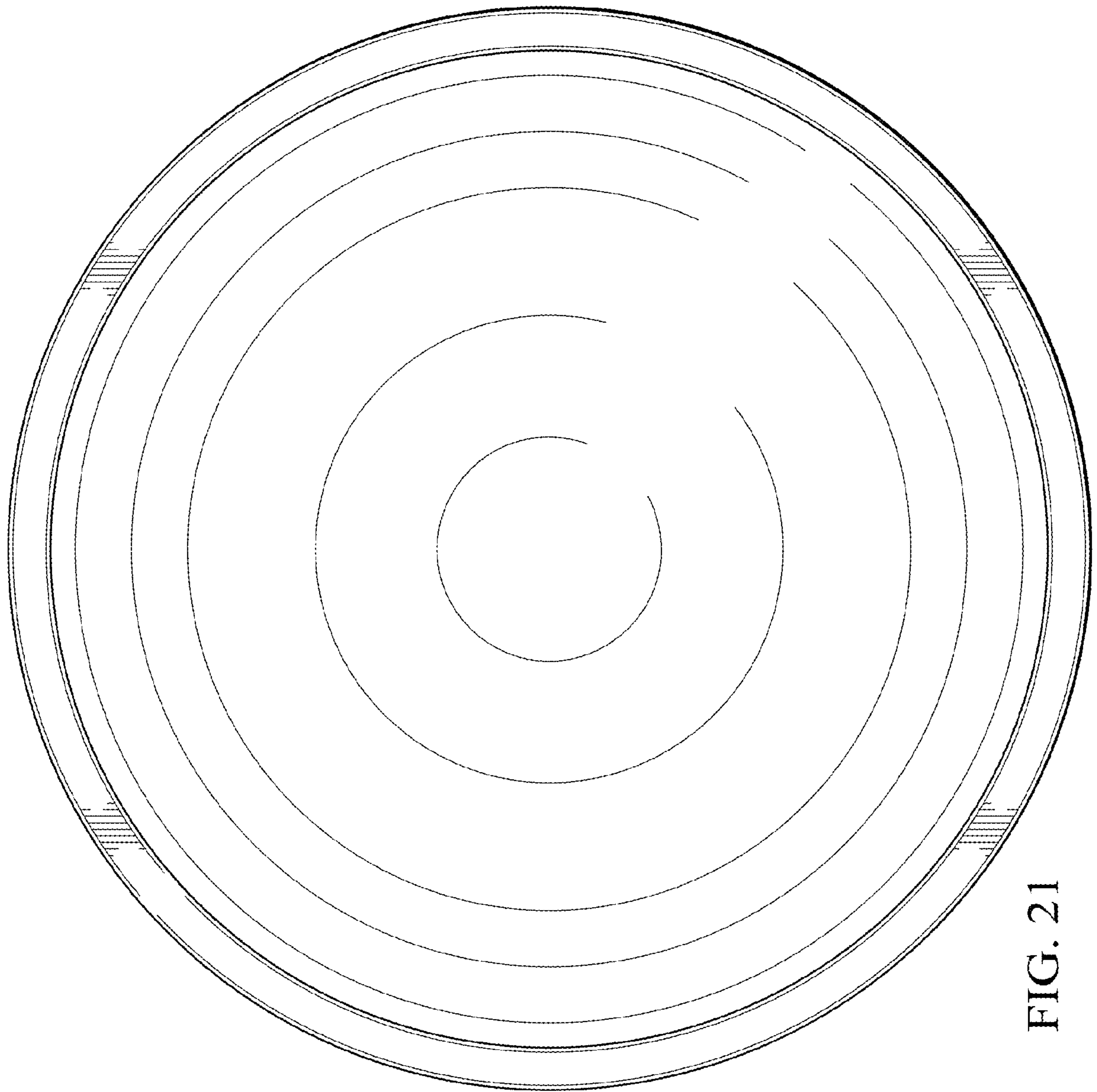


FIG. 21

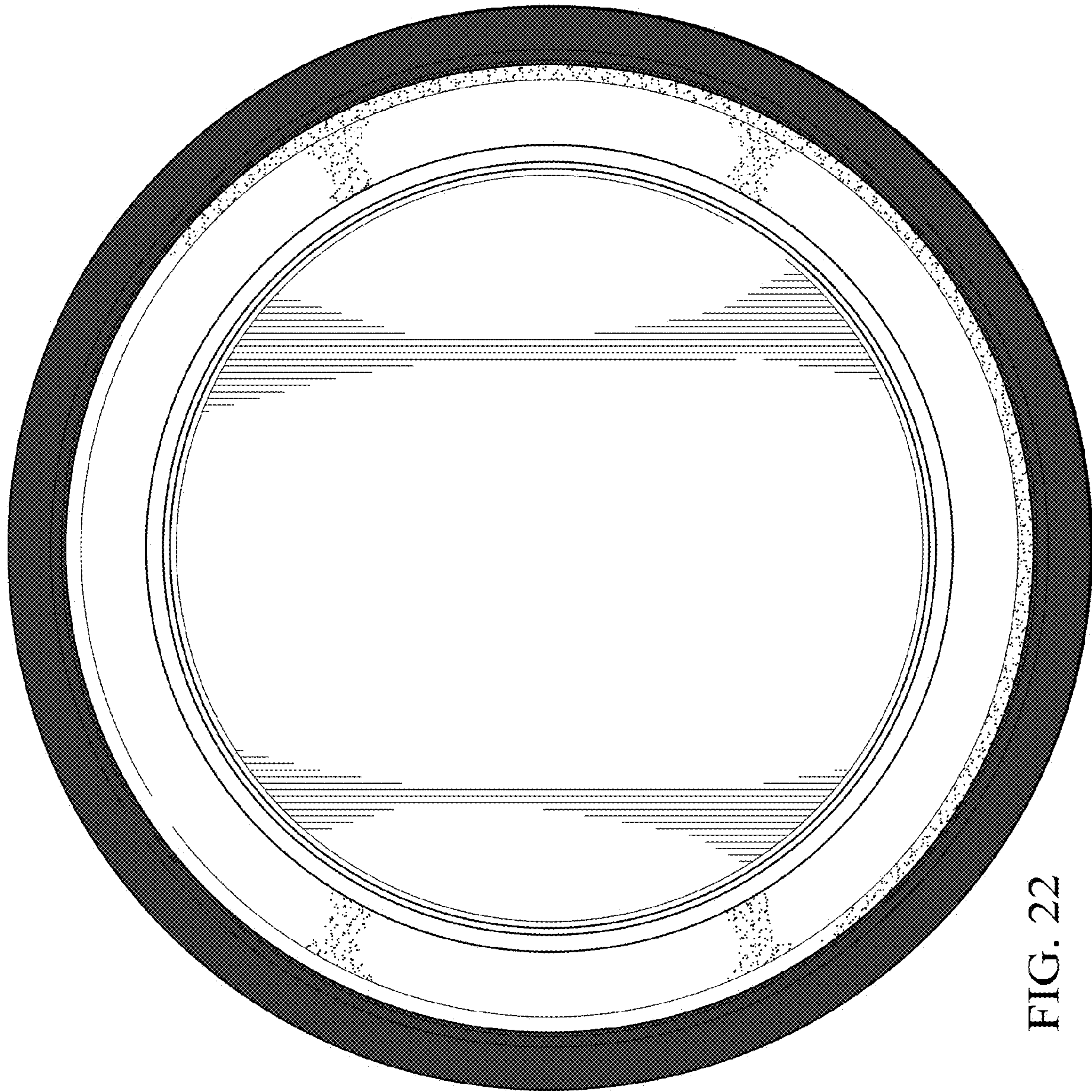


FIG. 22

UNITED STATES PATENT AND TRADEMARK OFFICE
CERTIFICATE OF CORRECTION

PATENT NO. : D871,159 S
APPLICATION NO. : 29/658678
DATED : December 31, 2019
INVENTOR(S) : Kyle Ellison et al.

Page 1 of 2

It is certified that error appears in the above-identified patent and that said Letters Patent is hereby corrected as shown below:

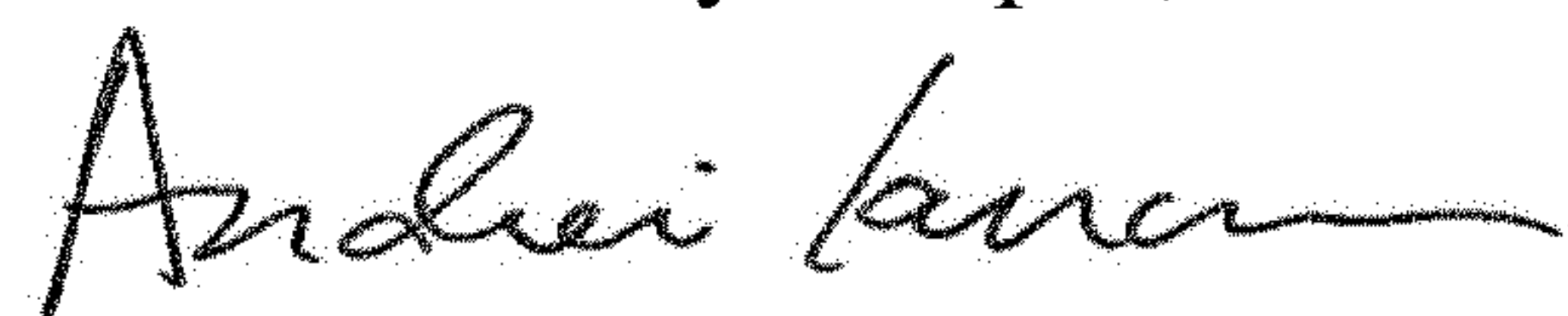
On the Title Page

Item (57) under Description, please replace the figure descriptions with those shown here:

The file of this patent contains at least one drawing executed in color. Copies of this patent with color drawings will be provided by the Office upon request and payment.

FIG. 1 is a top, front, right perspective view of a bowl showing our new design;
FIG. 2 is a front view thereof, wherein the rear view is a mirror image of FIG. 2;
FIG. 3 is a right side view thereof, wherein the left side view is a mirror image of FIG. 3;
FIG. 4 is a top view thereof;
FIG. 5 is a bottom view thereof;
FIG. 6 is a cross-sectional view at 6-6 in FIG. 4 thereof;
FIG. 7 is a cross-sectional view at 7-7 in FIG. 1 thereof;
FIG. 8 is a top, front, right perspective view of a first alternative claimed configuration of the bowl of FIGS. 1-5 showing our new design;
FIG. 9 is a front view thereof, wherein the rear view is a mirror image of FIG. 9;
FIG. 10 is a right side view thereof, wherein the left side view is a mirror image of FIG. 10;
FIG. 11 is a top view thereof;
FIG. 12 is a bottom view thereof;
FIG. 13 is a top, front, right perspective view of a second alternative claimed configuration of the bowl of FIGS. 1-5 showing our new design;
FIG. 14 is a front view thereof; wherein the rear view is a mirror image of FIG. 14;
FIG. 15 is a right side view thereof, wherein the left side view is a mirror image of FIG. 15;
FIG. 16 is a top view thereof;
FIG. 17 is a bottom view thereof;
FIG. 18 is a top, front, right perspective view of a third alternative claimed configuration of the bowl of FIGS. 1-5 showing our new design;
FIG. 19 is a front view thereof, wherein the rear view is a mirror image of FIG. 19;
FIG. 20 is a right side view thereof, wherein the left side view is a mirror image of FIG. 20;

Signed and Sealed this
Seventh Day of April, 2020



Andrei Iancu
Director of the United States Patent and Trademark Office

FIG. 21 is a top view thereof; and
FIG. 22 is a bottom view thereof.

The broken lines depict features of the bowl that form no part of the claimed design. The contrast in shading represents a contrast in appearance only and does not represent any particular color, material, texture or finish.