



US00D871158S

(12) **United States Design Patent**  
**Redjal**

(10) **Patent No.:** **US D871,158 S**

(45) **Date of Patent:** **\*\* Dec. 31, 2019**

(54) **SET OF RECTANGULAR STACKABLE SERVING PLATES**

(71) Applicant: **PROMEKO NV**, Kortrijk (BE)

(72) Inventor: **Karim Redjal**, Zwevegem (BE)

(73) Assignee: **PROMEKO NV**, Kortrijk (BE)

(\*\*) Term: **15 Years**

(21) Appl. No.: **29/649,872**

(22) Filed: **Jun. 1, 2018**

(30) **Foreign Application Priority Data**

Feb. 9, 2018 (EP) ..... 004704039-0009

(51) **LOC (12) Cl.** ..... **07-01**

(52) **U.S. Cl.**  
USPC ..... **D7/584; D7/554.3**

(58) **Field of Classification Search**  
USPC ..... D7/359, 388, 409, 500, 501, 505, 543,  
D7/552.2, 553.4, 553.5, 553.6, 553.8,  
D7/544, 554.2, 554.3, 584, 586; 220/574,  
220/738; 206/216, 23.83; D9/744  
CPC ..... A47G 19/025; A47G 19/02; B65D 1/34  
See application file for complete search history.

(56) **References Cited**

**U.S. PATENT DOCUMENTS**

- 2,878,932 A \* 3/1959 Martire, Jr. .... A47G 23/06  
206/564
- 4,083,453 A \* 4/1978 Berger ..... A47G 23/06  
206/564
- D327,200 S \* 6/1992 Szablak ..... D7/550.1
- D351,693 S \* 10/1994 Sutton ..... D30/161
- D351,694 S \* 10/1994 Evans ..... D30/161
- D383,338 S \* 9/1997 Gibbs ..... D19/59
- D396,752 S \* 8/1998 Hines ..... D3/304
- D560,099 S \* 1/2008 Hatcher ..... D7/554.3

- D575,989 S \* 9/2008 McFarland ..... D7/554.3
- 7,506,763 B2 \* 3/2009 Hatcher ..... A47G 23/06  
206/564
- D590,655 S \* 4/2009 Freeman ..... D7/354
- 8,006,843 B1 \* 8/2011 McFarland ..... B65D 1/34  
206/503
- D652,259 S \* 1/2012 Hatcher ..... D7/553.5
- D653,083 S \* 1/2012 Hatcher ..... D7/553.5
- D712,204 S \* 9/2014 Hatcher ..... D7/553.5
- 8,967,421 B2 \* 3/2015 Starkey-Johnson ..... B44D 3/00  
206/564
- D767,941 S \* 10/2016 Laurain ..... D6/616

(Continued)

*Primary Examiner* — Cynthia R Underwood

(74) *Attorney, Agent, or Firm* — Symbus Law Group  
LLC; Clifford D. Hyra

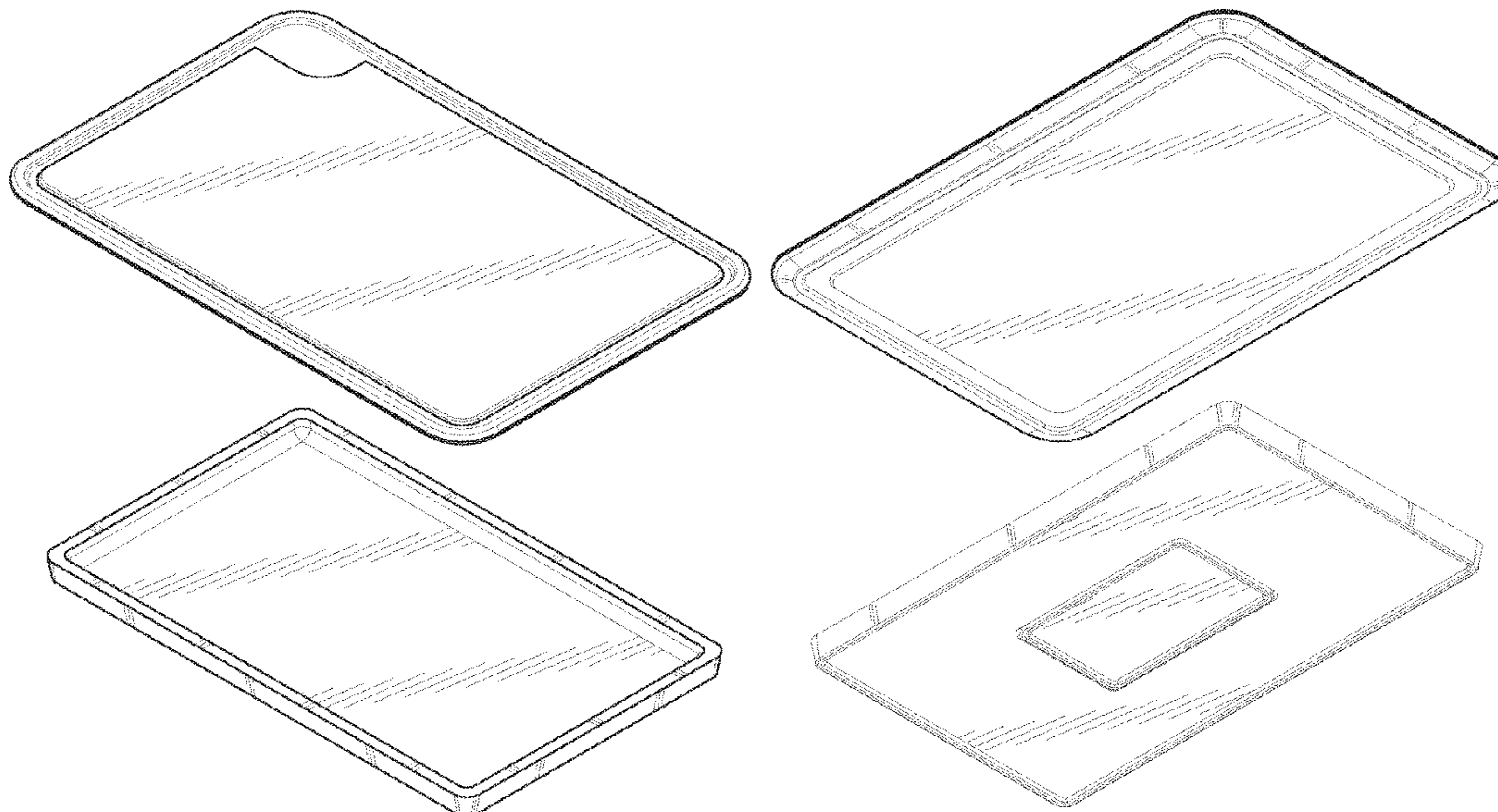
(57) **CLAIM**

The ornamental design for set of rectangular stackable serving plates, as shown and described.

**DESCRIPTION**

FIG. 1 is a top perspective view of set of rectangular stackable serving plates, showing the front, top and left sides, in a stacked configuration;  
 FIG. 2 is a left side view thereof;  
 FIG. 3 is a left side cross-section view thereof taken from line 3-3 on FIG. 1;  
 FIG. 4 is a perspective view thereof, showing the bottom, left and front sides;  
 FIG. 5 is a perspective view thereof, showing the top, left and front sides, with the set of rectangular stackable serving plates in a separated configuration;  
 FIG. 6 is a left side view thereof, with the set of rectangular stackable serving plates in a separated configuration; and,  
 FIG. 7 is a perspective view thereof, showing the bottom, left and front sides, with the set of rectangular stackable serving plates in a separated configuration.

**1 Claim, 7 Drawing Sheets**



(56)

**References Cited**

U.S. PATENT DOCUMENTS

D801,110 S \* 10/2017 Sarnoff ..... D7/391  
9,878,529 B2 \* 1/2018 Arce ..... B65D 21/0227  
D820,629 S \* 6/2018 Lum ..... D7/354  
2017/0265688 A1 \* 9/2017 Singh ..... A47J 47/005  
2018/0084951 A1 \* 3/2018 Eckholm ..... A47J 47/005  
2018/0110377 A1 \* 4/2018 Assassa ..... A47J 47/005  
2018/0168374 A1 \* 6/2018 Porco ..... A47G 19/06

\* cited by examiner

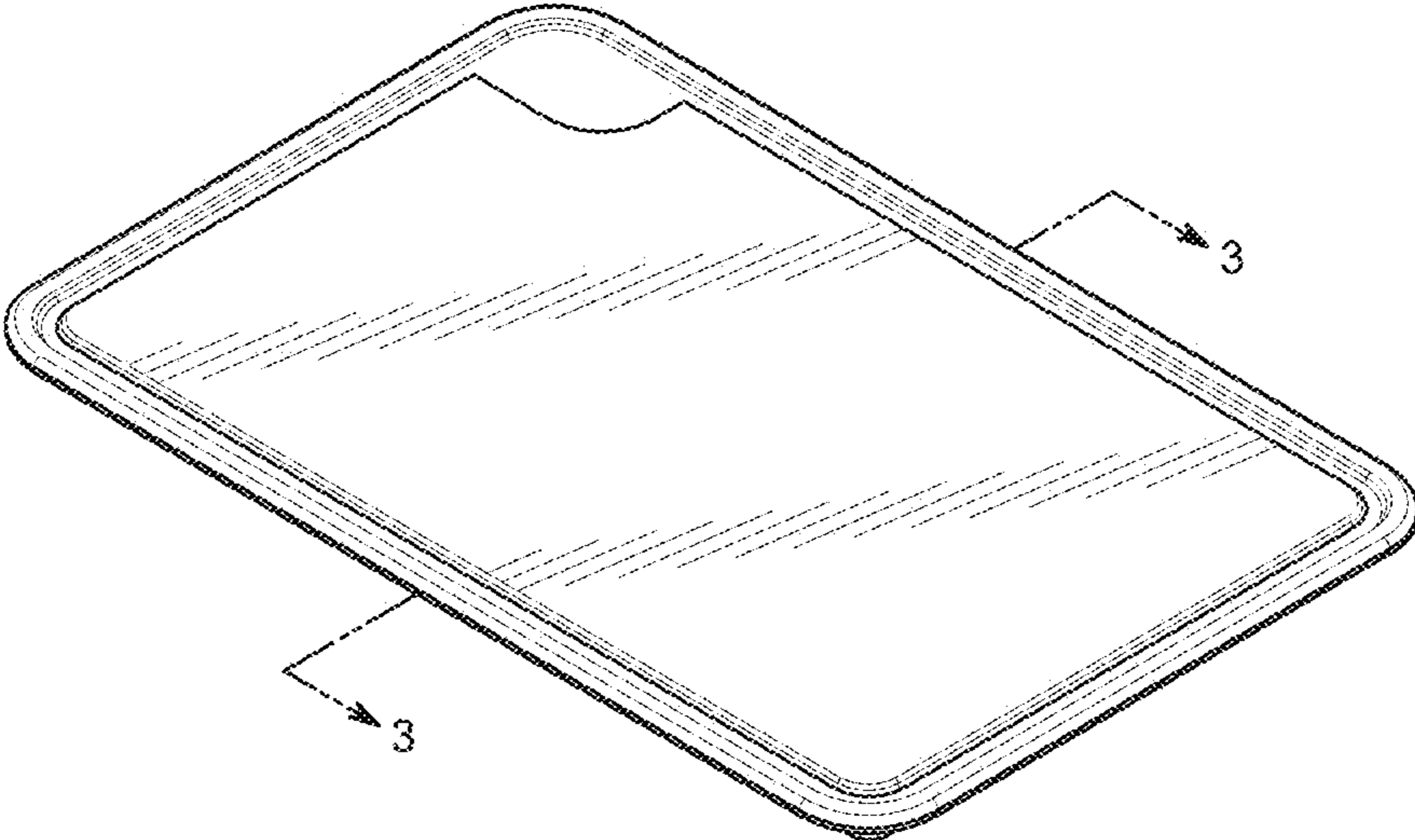


FIG. 1

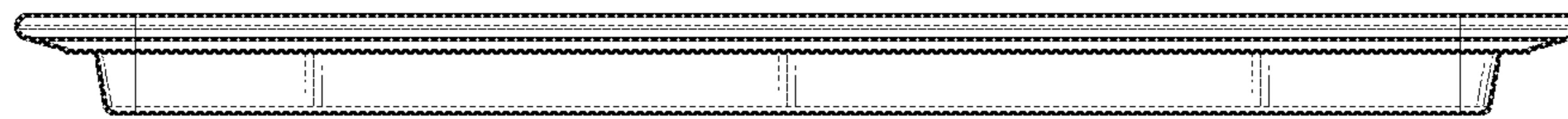


FIG. 2

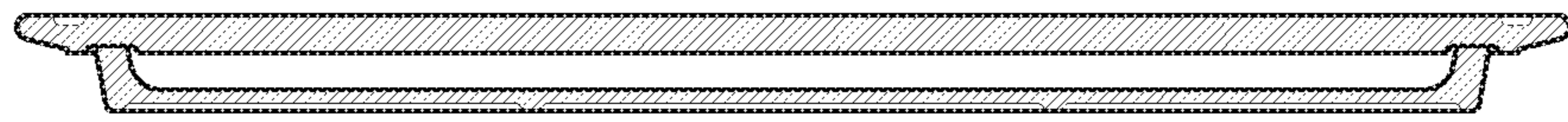


FIG. 3

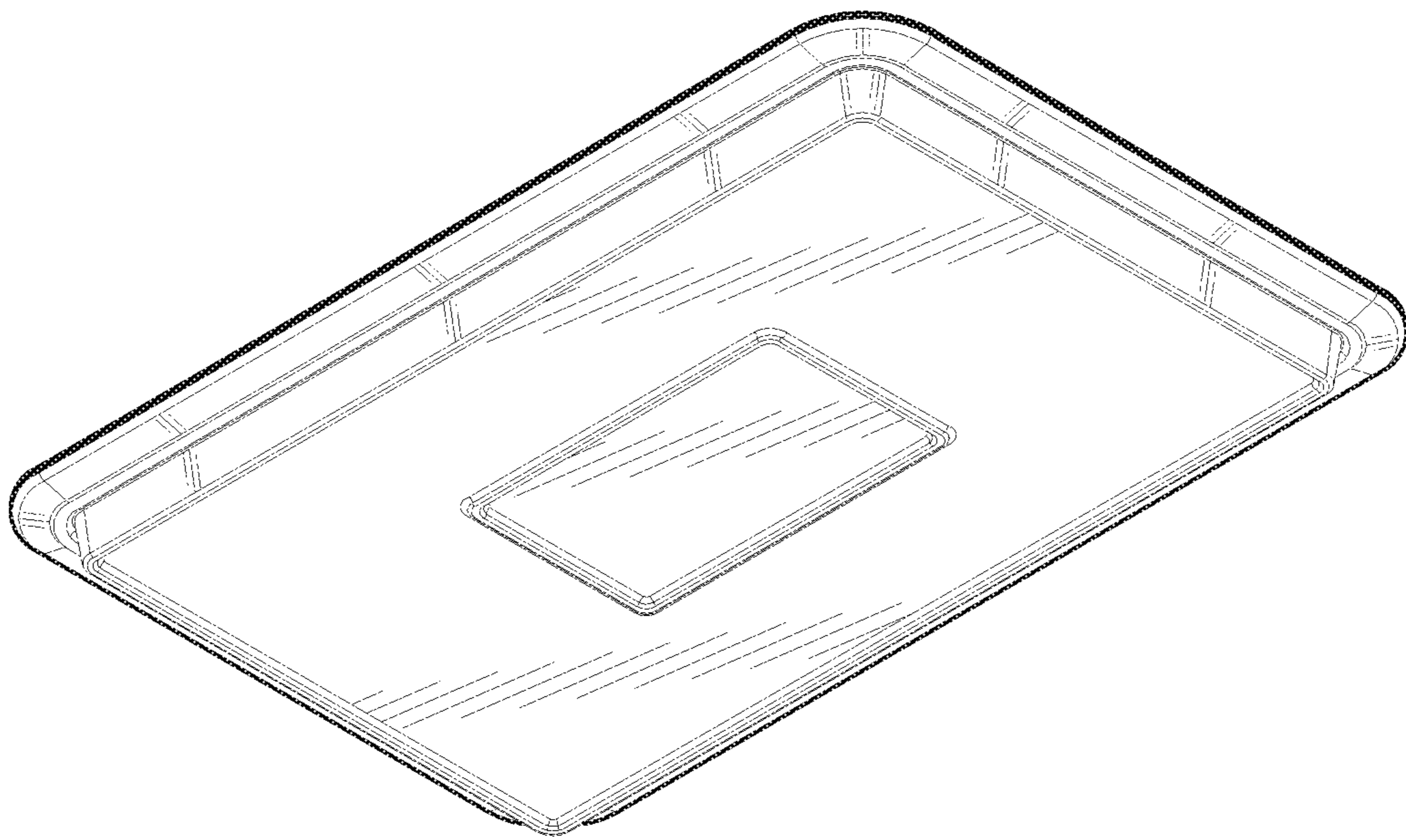


FIG. 4

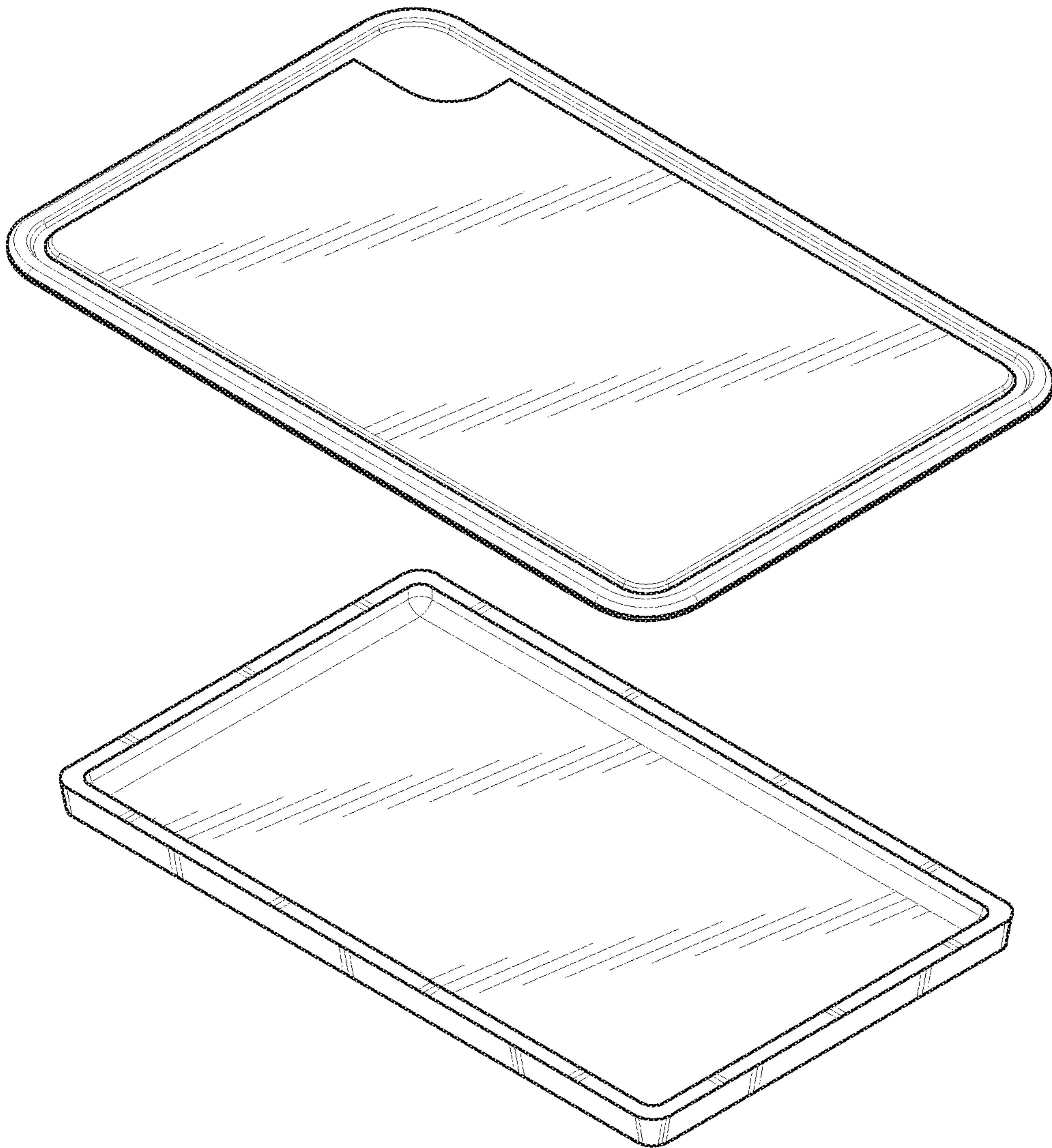


FIG. 5

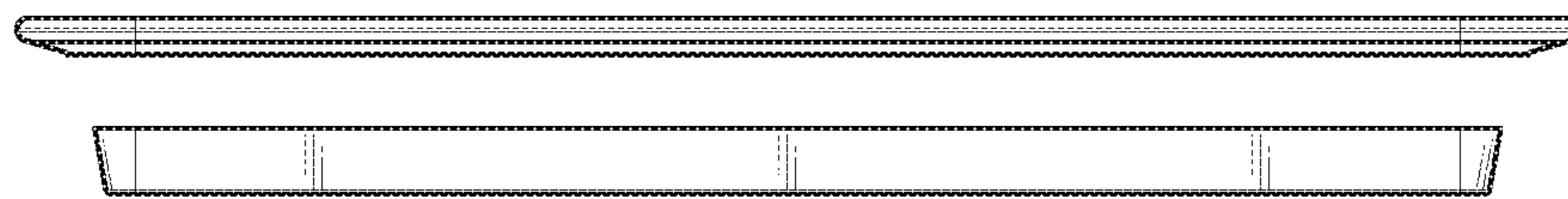


FIG. 6



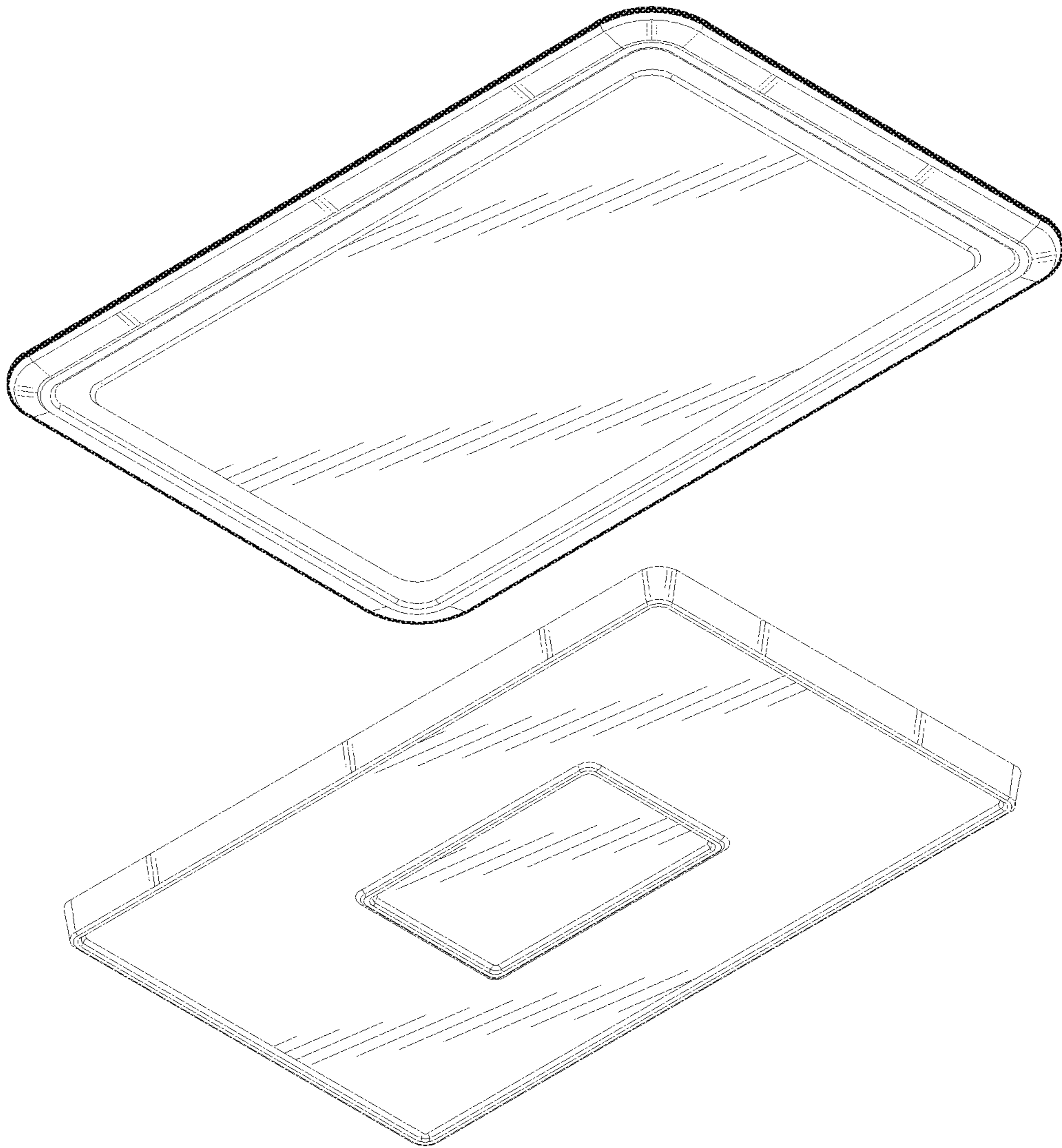


FIG. 7