



US00D871157S

(12) **United States Design Patent**
Redjal

(10) **Patent No.:** **US D871,157 S**

(45) **Date of Patent:** **** Dec. 31, 2019**

(54) **SET OF NESTING PLATES**

(71) Applicant: **PROMEKO NV**, Kortrijk (BE)

(72) Inventor: **Karim Redjal**, Zwevegem (BE)

(73) Assignee: **PROMEKO NV**, Kortrijk (BE)

(**) Term: **15 Years**

(21) Appl. No.: **29/649,871**

(22) Filed: **Jun. 1, 2018**

(30) **Foreign Application Priority Data**

Feb. 9, 2018 (EM) 004704039-0001

(51) **LOC (12) Cl.** **07-01**

(52) **U.S. Cl.**
USPC **D7/584**

(58) **Field of Classification Search**
USPC D7/500, 584, 554.2, 505; 220/574;
206/216, 23.83; D9/744
CPC A47G 19/025; A47G 19/02
See application file for complete search history.

(56) **References Cited**

U.S. PATENT DOCUMENTS

- 2,178,274 A * 10/1939 Ratner A47G 19/02
220/574
- 3,940,010 A * 2/1976 Sears A47G 19/02
220/23.86
- 3,989,158 A * 11/1976 Florian A47G 19/2283
220/23.83
- 5,158,202 A * 10/1992 Kosonen A47G 19/02
220/574
- D365,498 S * 12/1995 Lillelund D7/505
- 5,485,937 A * 1/1996 Tseng A47G 19/02
220/571
- D390,752 S * 2/1998 DeCoster D7/505

- D473,752 S * 4/2003 Kerr D7/316
- D512,604 S * 12/2005 Panepinto D7/505
- D656,793 S * 4/2012 Mastroianni D7/587
- D692,272 S * 10/2013 Montgomery D7/396.1
- D732,891 S * 6/2015 Bonilla D30/129
- D796,269 S * 9/2017 Grepper D7/586
- D816,417 S * 5/2018 Hutton D7/565
- 10,311,748 B2 * 6/2019 Highet G09B 19/0092
- 10,325,515 B2 * 6/2019 Highet A47G 19/025
- 2009/0159069 A1 * 6/2009 Choi A47G 19/027
126/263.01

* cited by examiner

Primary Examiner — Cynthia R Underwood

(74) *Attorney, Agent, or Firm* — Symbus Law Group, LLC; Clifford D. Hyra

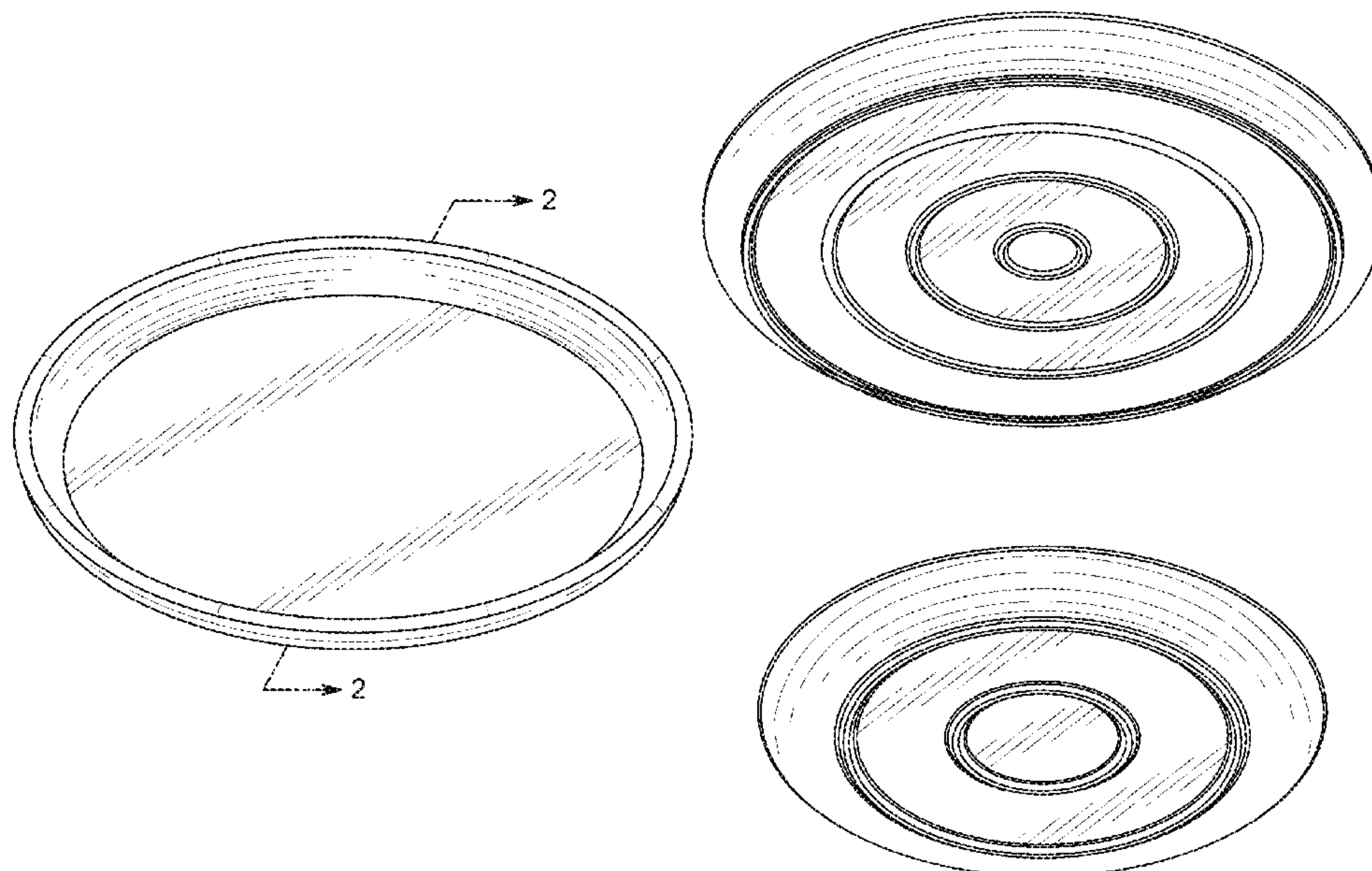
(57) **CLAIM**

The ornamental design for set of nesting plates, as shown and described.

DESCRIPTION

FIG. 1 is a front view of set of nesting plates in a stacked configuration;
 FIG. 2 is a front cross-section view thereof, taken from line 2-2 on FIG. 3.
 FIG. 3 is a perspective view thereof, showing the top and front sides;
 FIG. 4 is a perspective view thereof, showing the bottom and front sides;
 FIG. 5 is a front view thereof, with the set of nesting plates in a separated configuration;
 FIG. 6 is a perspective view thereof, showing the top and front sides, with the set of nesting plates in a separated configuration; and,
 FIG. 7 is a perspective view thereof, showing the bottom and front sides, with the set of nesting plates in a separated configuration.

1 Claim, 7 Drawing Sheets



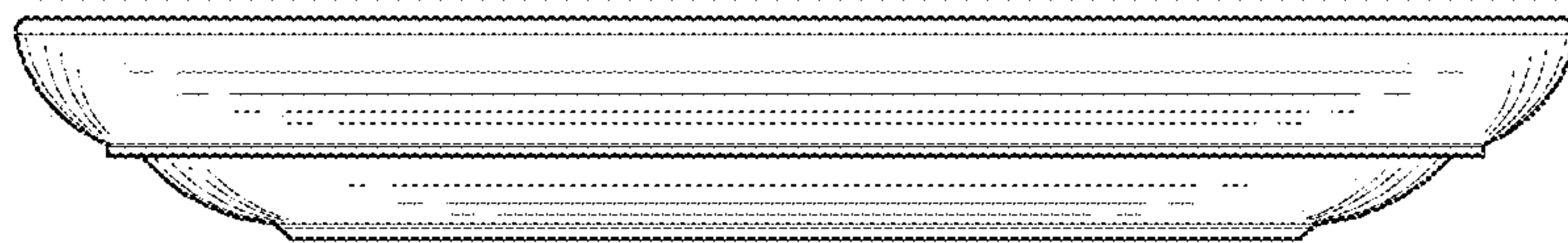


FIG. 1



FIG. 2

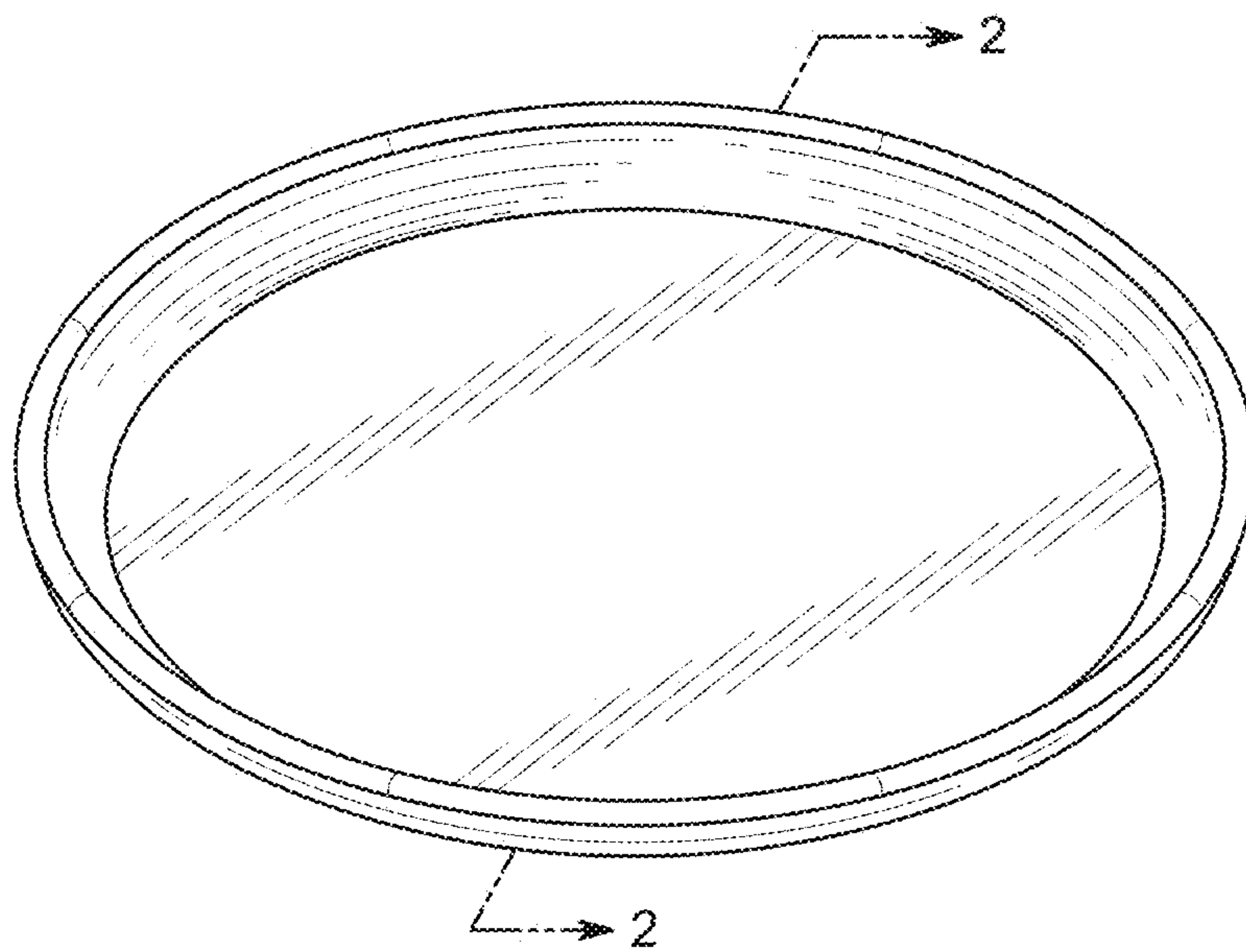


FIG. 3

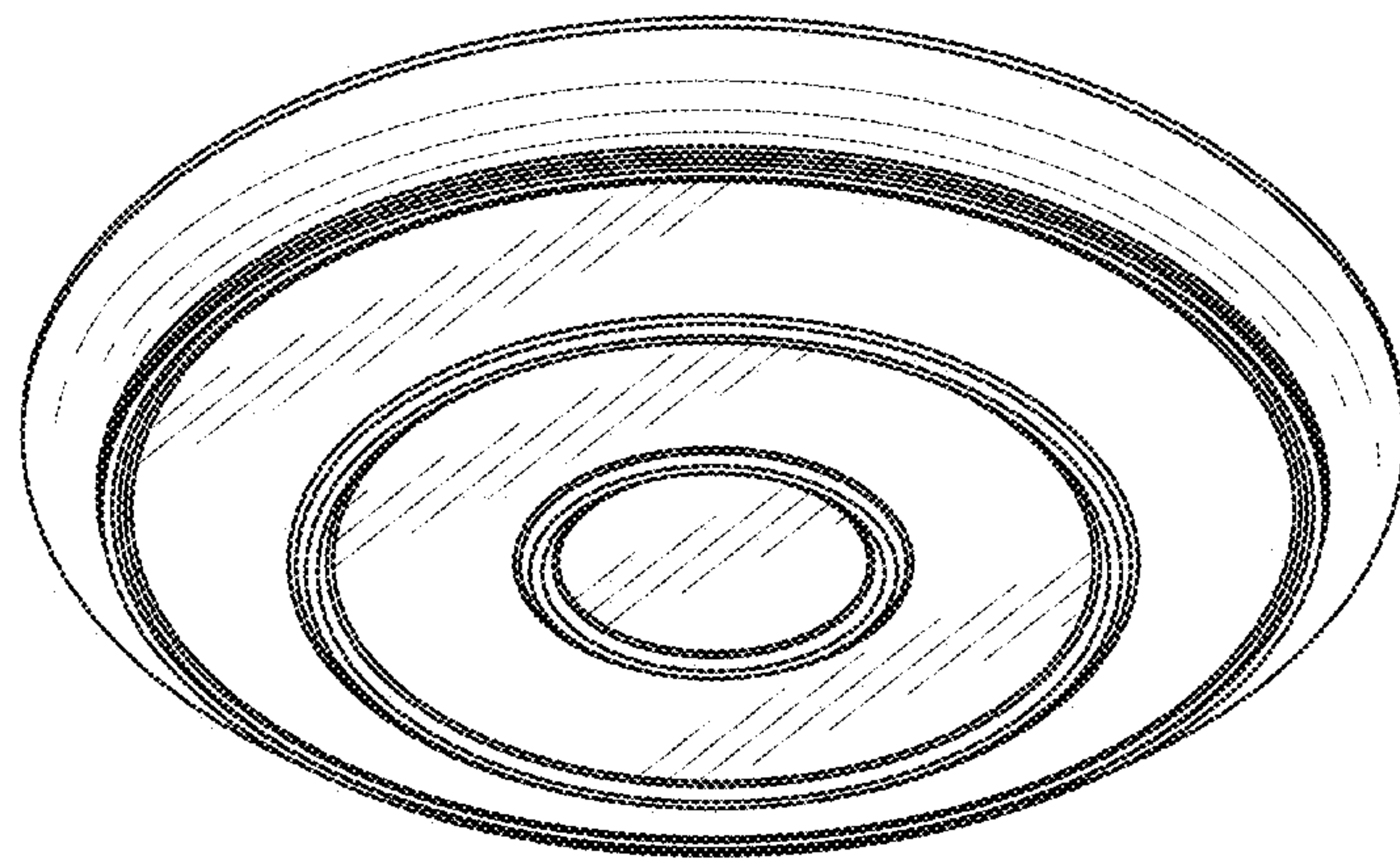


FIG. 4

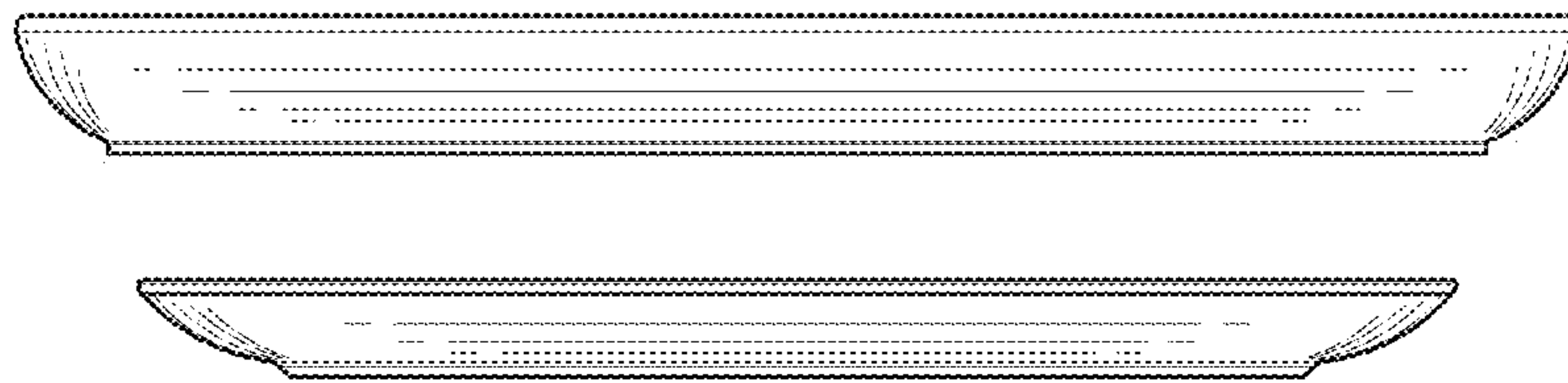


FIG. 5

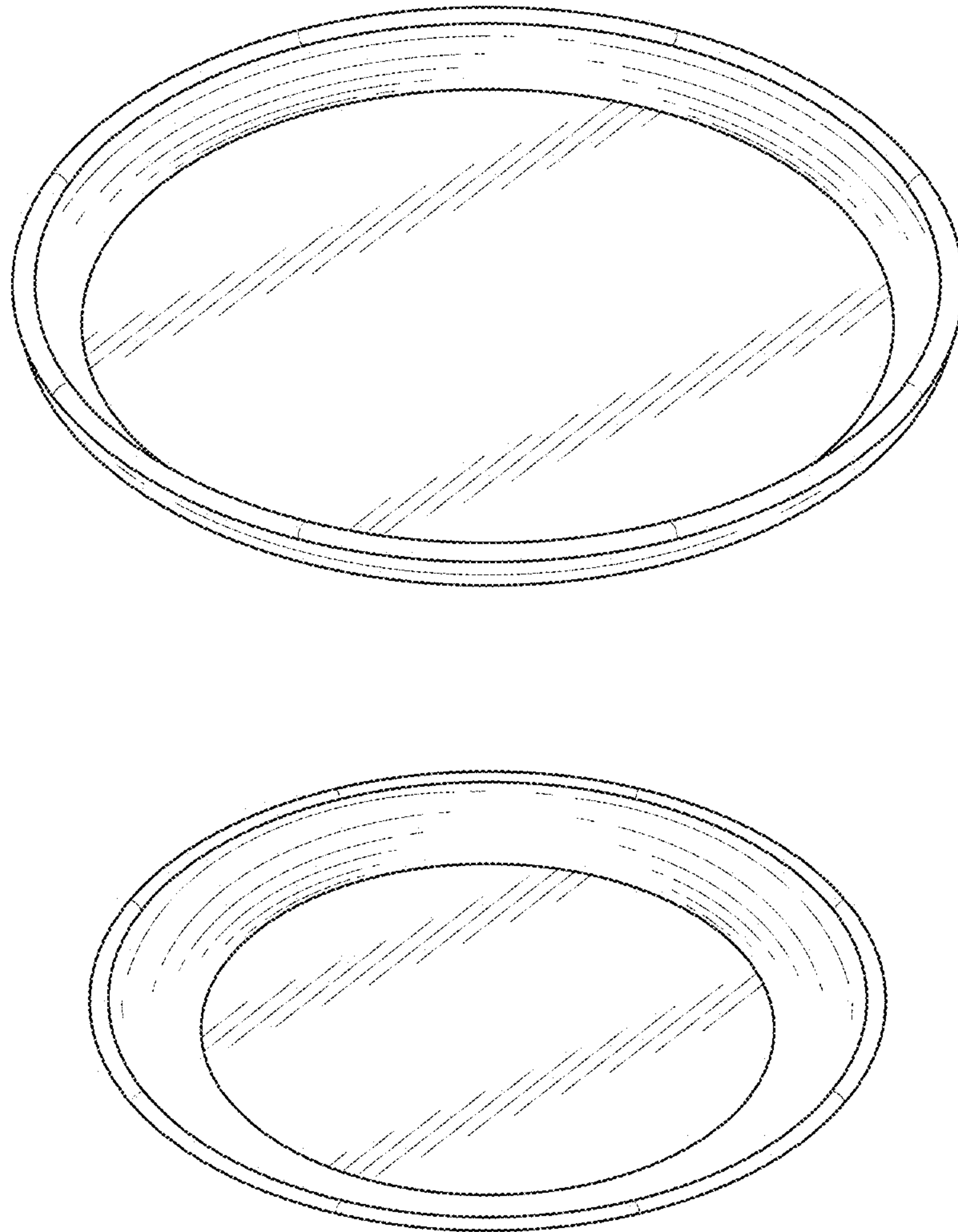


FIG. 6

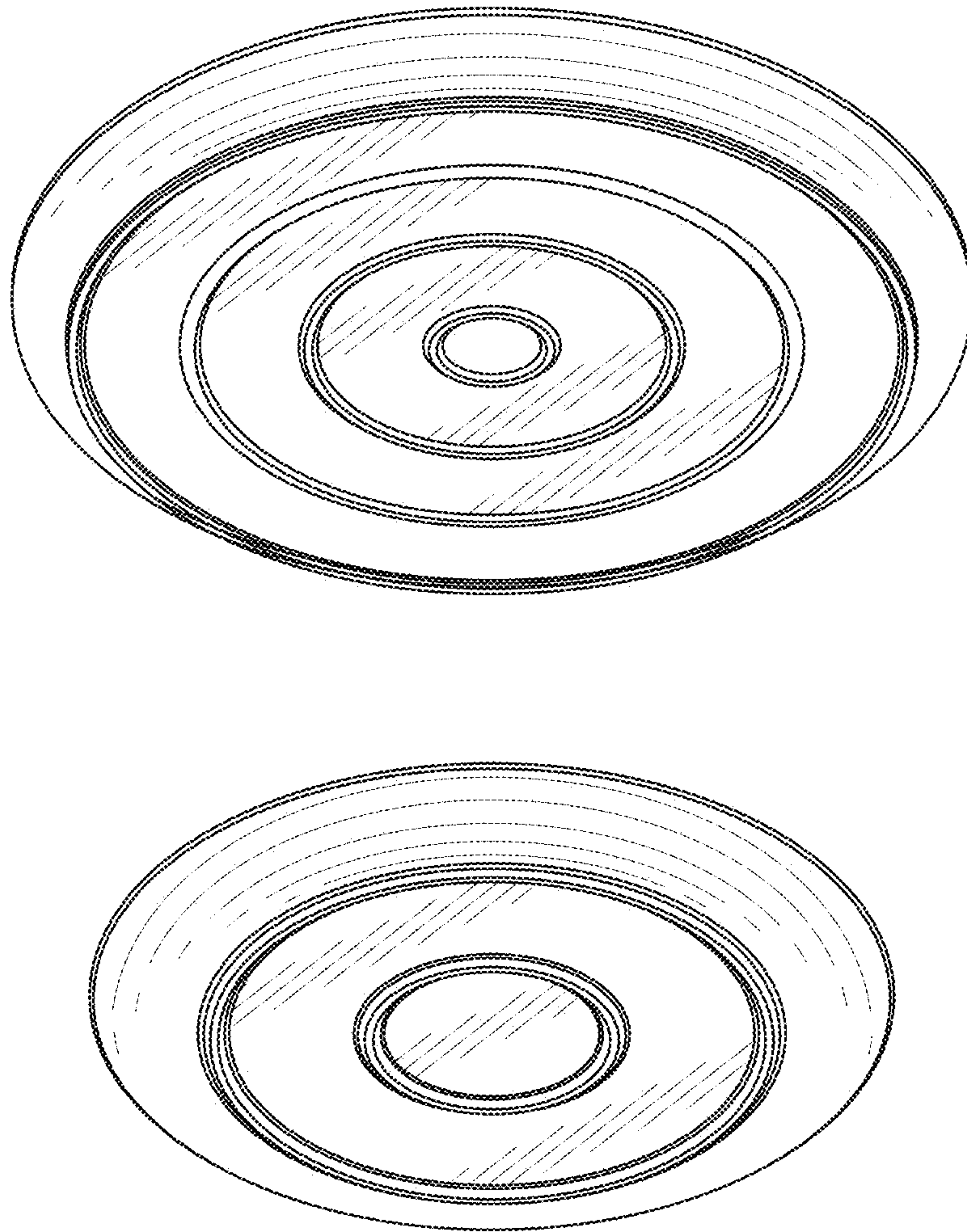


FIG. 7