



US00D871156S

(12) **United States Design Patent**  
**Veldkamp et al.**

(10) **Patent No.:** **US D871,156 S**

(45) **Date of Patent:** **\*\* Dec. 31, 2019**

- (54) **TRAY**
- (71) Applicant: **Spectrum Diversified Designs, LLC**,  
Streetsboro, OH (US)
- (72) Inventors: **Derek Veldkamp**, Seattle, WA (US);  
**Matthew Frank**, Seattle, WA (US)
- (73) Assignee: **Spectrum Diversified Designs, LLC**,  
Streetsboro, OH (US)
- (\*\*) Term: **15 Years**
- (21) Appl. No.: **29/665,513**
- (22) Filed: **Oct. 4, 2018**
- (51) **LOC (12) Cl.** ..... **07-01**
- (52) **U.S. Cl.**  
USPC ..... **D7/554.3**
- (58) **Field of Classification Search**  
USPC ..... D7/550.1, 552.2, 553.2, 553.5, 554.3,  
D7/601-602, 397, 401.1; D9/415, 418,  
D9/759-761; D28/61, 73  
CPC ..... B65D 1/243; B65D 2501/24019; B65D  
2501/24165; B65D 11/18; B65D 85/30  
See application file for complete search history.

- D702,483 S \* 4/2014 Green ..... D7/354
- D767,341 S \* 9/2016 Koempel ..... D7/554.3
- D767,933 S \* 10/2016 Lee ..... D7/352
- D820,629 S \* 6/2018 Lum ..... D7/354
- D855,387 S \* 8/2019 Wang ..... D7/391

**OTHER PUBLICATIONS**

William Sonoma BBQ Marinade Tray | Williams Sonoma California web page, [https://www.williams-sonoma.com/products/williams-sonoma-bbq-marinade-tray/?pkey=e%7Cbbq%2Btray%7C1%7Cbest%7C0%7C1%7C24%7C%7C1&cm\\_src=PRODUCTSEARCH](https://www.williams-sonoma.com/products/williams-sonoma-bbq-marinade-tray/?pkey=e%7Cbbq%2Btray%7C1%7Cbest%7C0%7C1%7C24%7C%7C1&cm_src=PRODUCTSEARCH), dated: Oct. 3, 2018, 2 pages.

Grill Prep Trays, Set of 2 | Williams Sonoma California web page, [https://www.williams-sonoma.com/products/grill-prep-trays/?cm\\_src=AutoSchRel](https://www.williams-sonoma.com/products/grill-prep-trays/?cm_src=AutoSchRel), dated: Oct. 3, 2018, 2 pages.

\* cited by examiner

*Primary Examiner* — Kelley A Donnelly  
(74) *Attorney, Agent, or Firm* — Tucker Ellis LLP

(57) **CLAIM**

The ornamental design for a tray, as shown and described.

**DESCRIPTION**

FIG. 1 is a perspective view of a tray showing our new design.

FIG. 2 is a top view thereof.

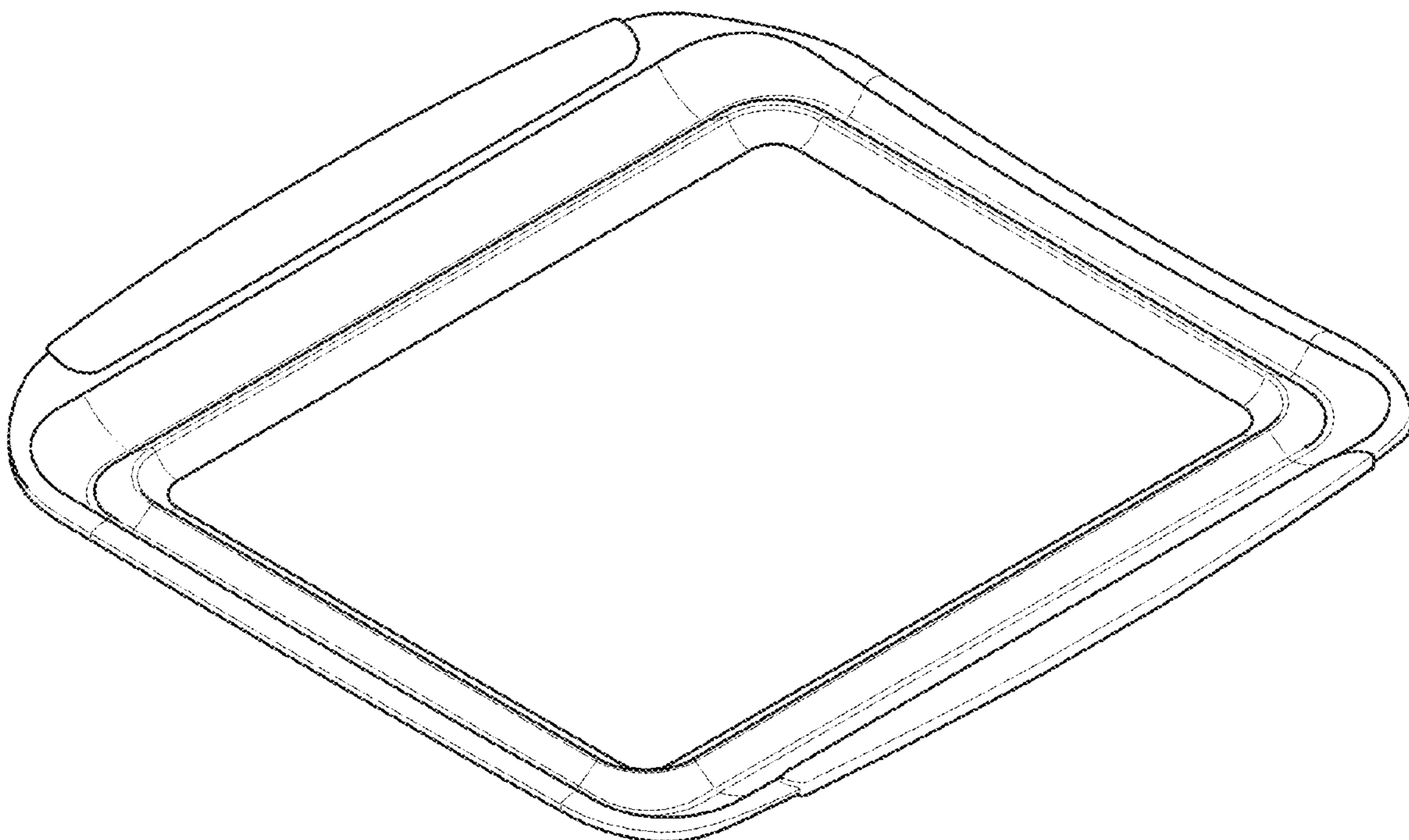
FIG. 3 is a bottom view thereof.

FIG. 4 is a front view thereof; a rear view being the same as the front view; and,

FIG. 5 is a left side view thereof; a right side view being the same as the left side view.

**1 Claim, 4 Drawing Sheets**

- (56) **References Cited**  
U.S. PATENT DOCUMENTS
- D472,428 S \* 4/2003 Massaloux ..... D7/554.3
- D493,670 S \* 8/2004 De Neubourg ..... D7/554.3
- D565,905 S \* 4/2008 Valderrama ..... D7/500
- D581,203 S \* 11/2008 Simon ..... D7/354
- D583,615 S \* 12/2008 Simon ..... D7/354
- D607,279 S \* 1/2010 Hollis ..... D7/545
- D653,496 S \* 2/2012 Henry ..... D7/354



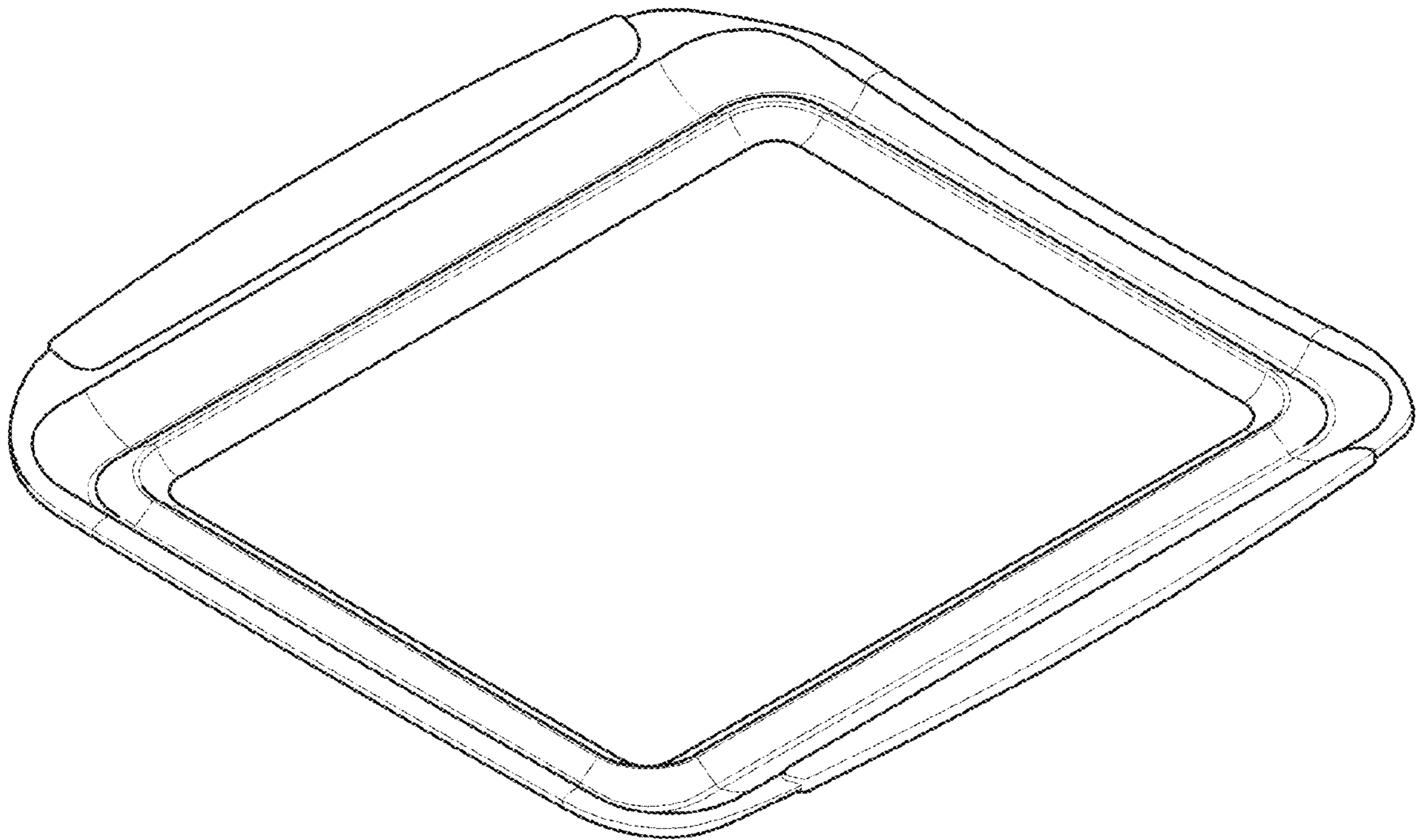


FIG. 1

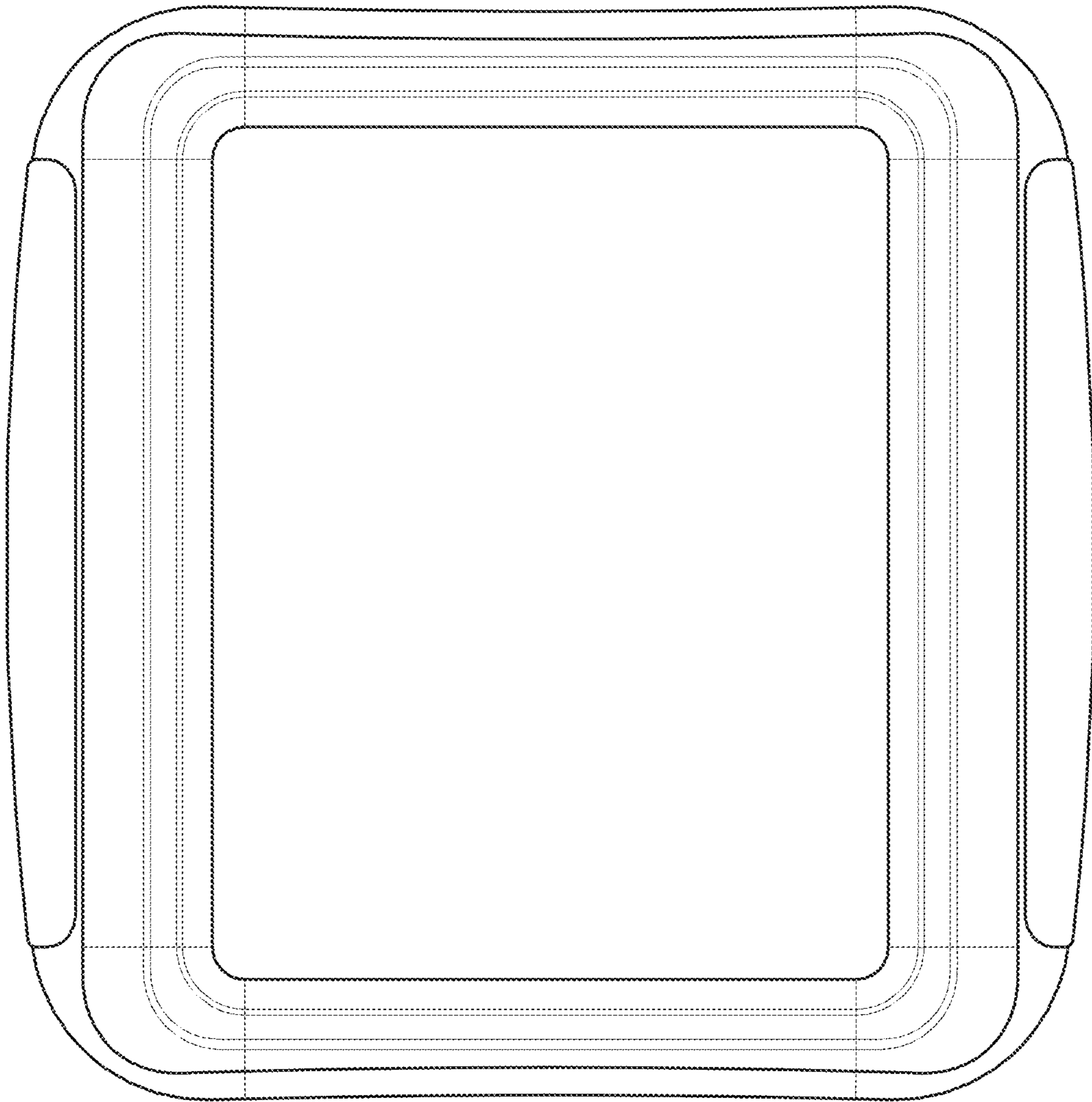


FIG. 2

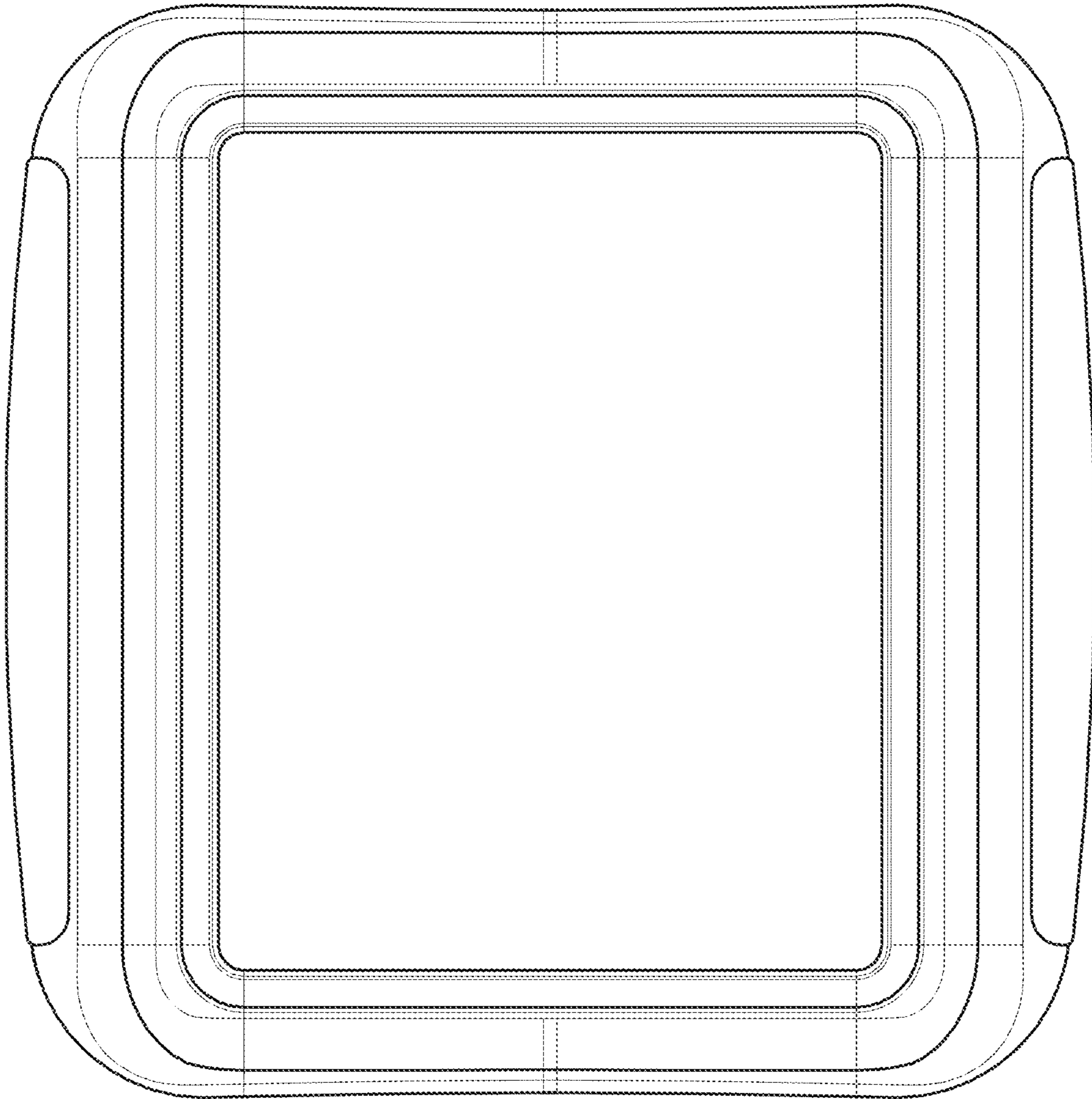


FIG. 3

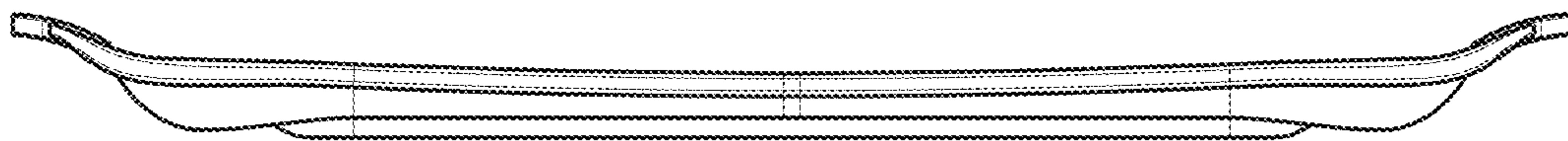


FIG. 4

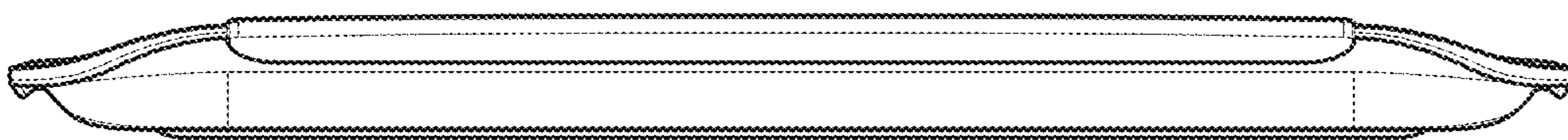


FIG. 5