



US00D871153S

(12) **United States Design Patent** (10) **Patent No.:** **US D871,153 S**  
**Conarro et al.** (45) **Date of Patent:** **\*\* Dec. 31, 2019**

(54) **BASEBALL HAT BOWL**  
(71) Applicant: **Whirley Industries, Inc.**, Warren, PA (US)  
(72) Inventors: **Alec Conarro**, Warren, PA (US); **Gail Grosch**, Russell, PA (US); **Brad Bielawski**, Warren, PA (US)  
(73) Assignee: **Whirley Industries, Inc.**, Warren, PA (US)  
(\*\*) Term: **15 Years**  
(21) Appl. No.: **29/649,570**  
(22) Filed: **May 31, 2018**  
(51) **LOC (12) Cl.** ..... **07-01**  
(52) **U.S. Cl.**  
USPC ..... **D7/544**  
(58) **Field of Classification Search**  
USPC ..... D7/500, 584, 554.2, 505, 543, 544;  
220/574; 206/216, 23.83; D9/744  
CPC ..... A47G 19/025; A47G 19/02  
See application file for complete search history.

(56) **References Cited**  
**U.S. PATENT DOCUMENTS**  
D208,319 S \* 8/1967 Manseau ..... D7/515  
D222,177 S \* 10/1971 Tondu ..... D7/543  
D250,565 S \* 12/1978 Stowell ..... D7/543  
D348,803 S \* 7/1994 Aronson ..... D7/544  
5,471,684 A 12/1995 Casale  
D385,462 S \* 10/1997 Ferris ..... D7/543  
5,715,534 A 2/1998 Mobley  
D452,417 S \* 12/2001 Whitmore ..... D7/543  
D484,363 S \* 12/2003 de Groote ..... D7/543  
D500,937 S \* 1/2005 Bravard ..... D7/543  
D545,629 S \* 7/2007 Mellen ..... D7/543  
D564,138 S \* 3/2008 Dunn ..... D30/129  
D598,057 S \* 8/2009 Garcia ..... D21/405  
D613,127 S \* 4/2010 Olivari ..... D7/543

D614,449 S \* 4/2010 Cooper ..... D7/544  
D625,956 S \* 10/2010 Goddard-Clark ..... D7/543  
D639,115 S \* 6/2011 Stewart ..... D7/543  
D641,961 S \* 7/2011 Kim ..... D2/882  
D680,813 S \* 4/2013 De Leo ..... D7/543  
D684,429 S \* 6/2013 Lion ..... D7/543  
D702,001 S \* 4/2014 Wehr ..... D30/102

(Continued)

**OTHER PUBLICATIONS**

<https://www.rawlings.com/product/01950024121.html>  
*Primary Examiner* — Cynthia R Underwood  
(74) *Attorney, Agent, or Firm* — Buchanan Ingersoll & Rooney PC

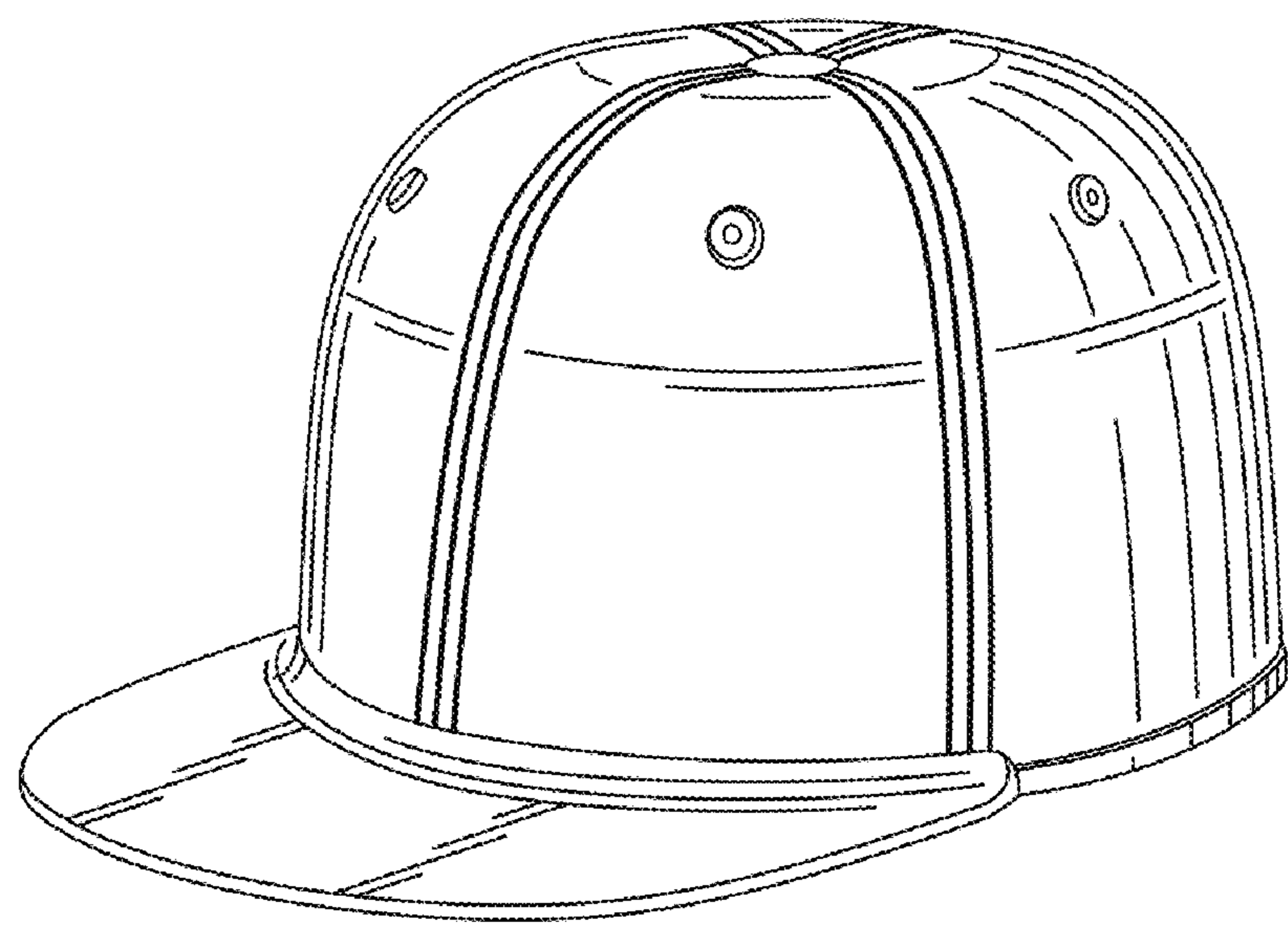
(57) **CLAIM**

The ornamental design for a baseball hat bowl, as shown and described.

**DESCRIPTION**

FIG. 1 is a perspective view of a baseball hat bowl;  
FIG. 2 is another perspective view FIG. 1;  
FIG. 3 is a left-hand side view FIG. 1, wherein a right-hand side view is a mirror image of the left-hand side view;  
FIG. 4 is a front view FIG. 1;  
FIG. 5 is a rear view FIG. 1;  
FIG. 6 is a top view FIG. 1; and  
FIG. 7 is a bottom view FIG. 1.  
FIG. 8 is a perspective view of a second embodiment of the baseball hat bowl;  
FIG. 9 is another perspective view FIG. 8;  
FIG. 10 is a left-hand side view FIG. 8, wherein a right-hand side view is a mirror image of the left-hand side view;  
FIG. 11 is a front view FIG. 8;  
FIG. 12 is a rear view FIG. 8;  
FIG. 13 is a top view FIG. 8; and,  
FIG. 14 is a bottom view FIG. 8.

**1 Claim, 6 Drawing Sheets**



(56)

**References Cited**

U.S. PATENT DOCUMENTS

D716,528	S	11/2014	Badish	
D749,362	S *	2/2016	Holding .....	D7/505
D763,625	S *	8/2016	Wright .....	D7/545
D786,020	S *	5/2017	Traub .....	D7/543
D811,828	S *	3/2018	Tillman .....	D7/654
D823,642	S *	7/2018	Ribeiro-Ramalhosa .....	D7/543
D841,402	S *	2/2019	Price .....	D7/584
D851,366	S *	6/2019	Hieger .....	D2/869
2005/0127073	A1 *	6/2005	Kusuma .....	B65D 21/086 220/6
2007/0017003	A1	1/2007	Harris et al.	
2009/0159069	A1 *	6/2009	Choi .....	A47G 19/027 126/263.01

\* cited by examiner

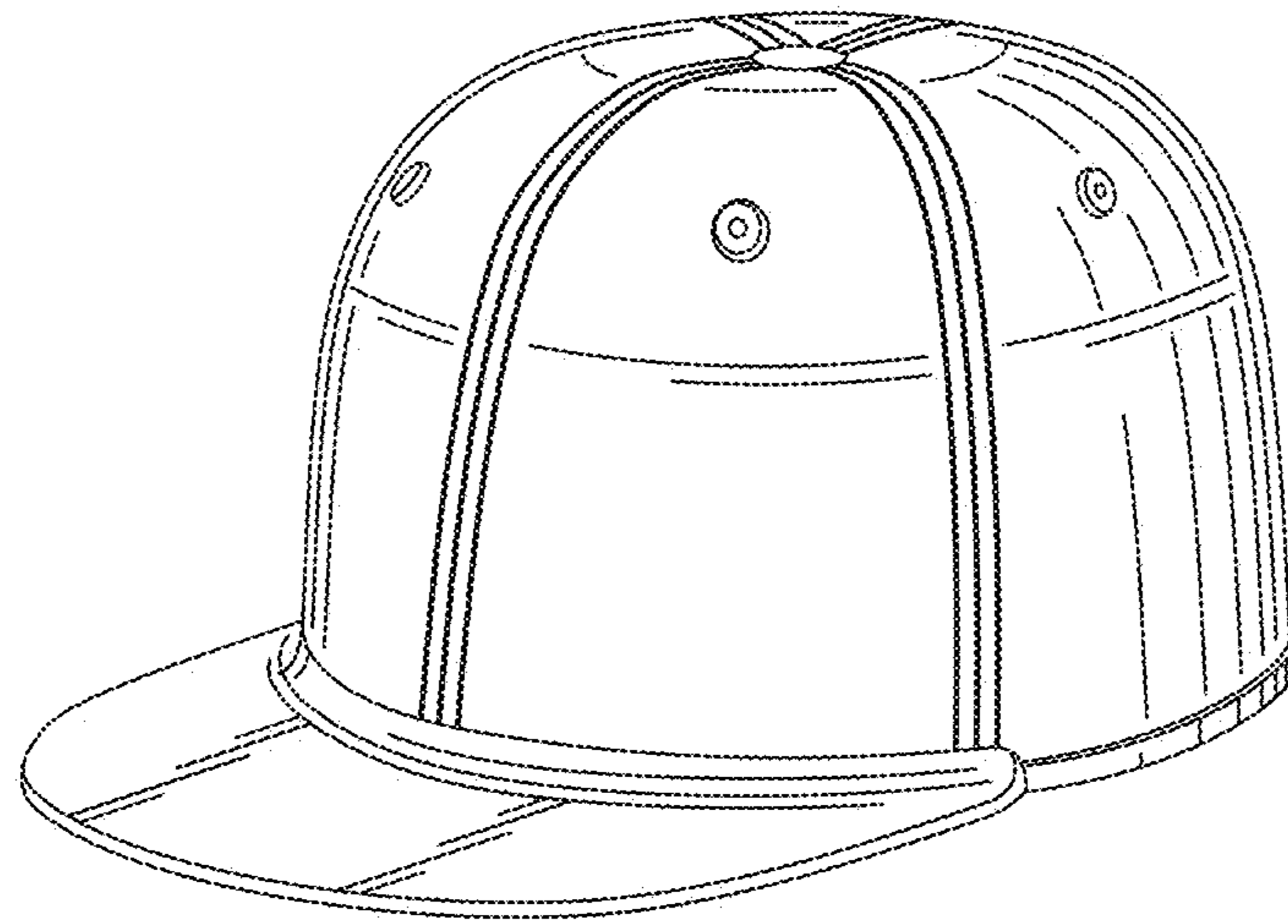


FIG. 1

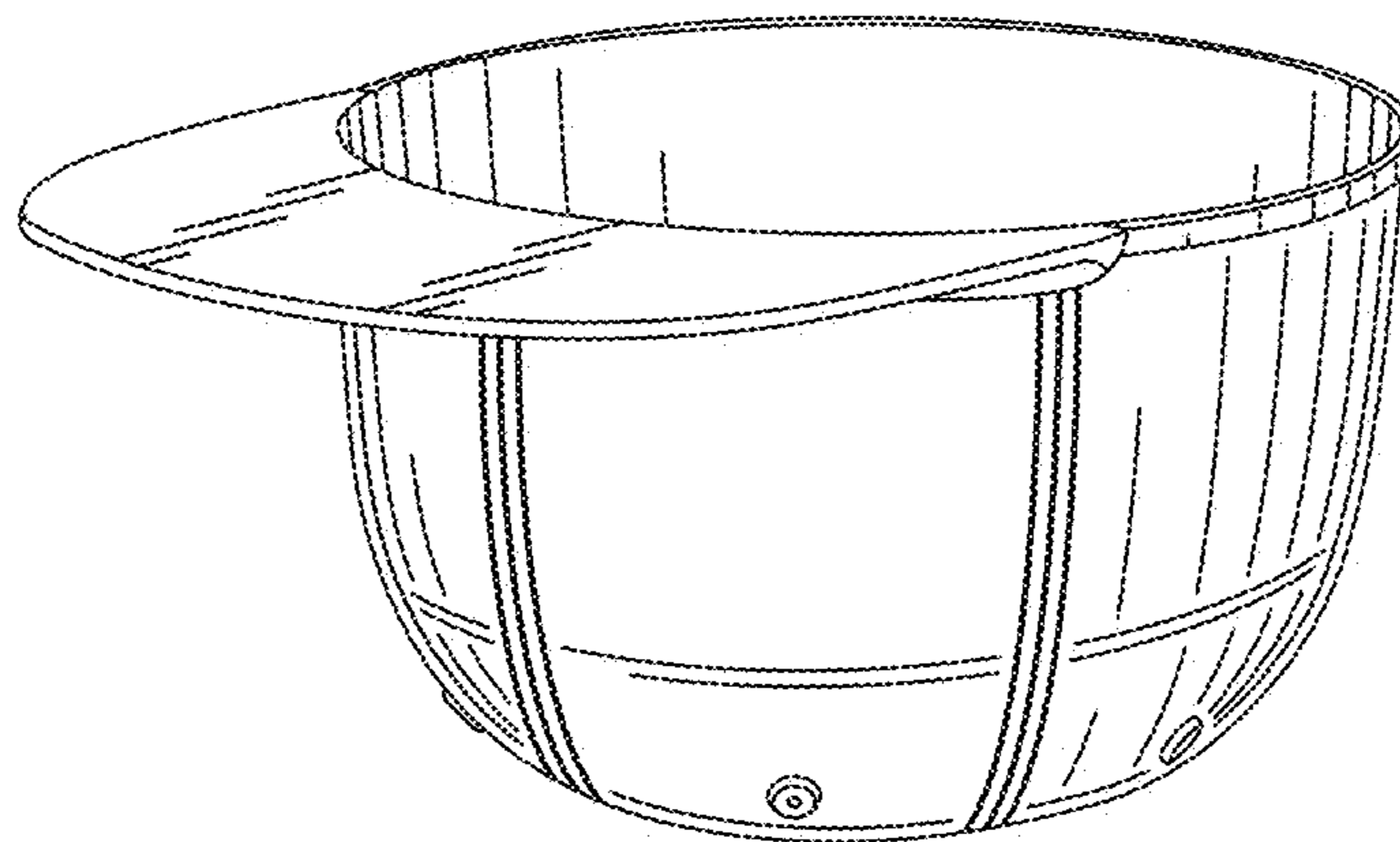


FIG. 2

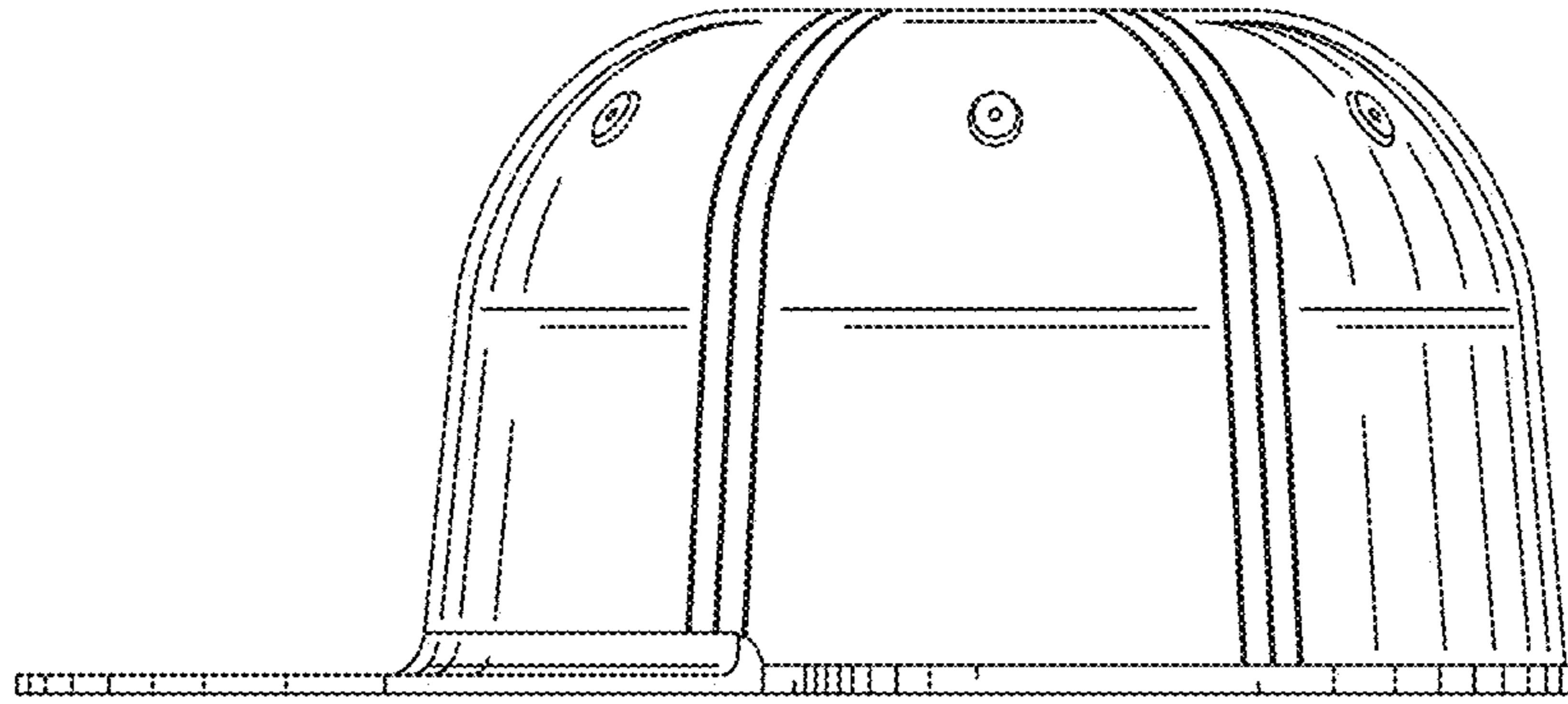


FIG. 3

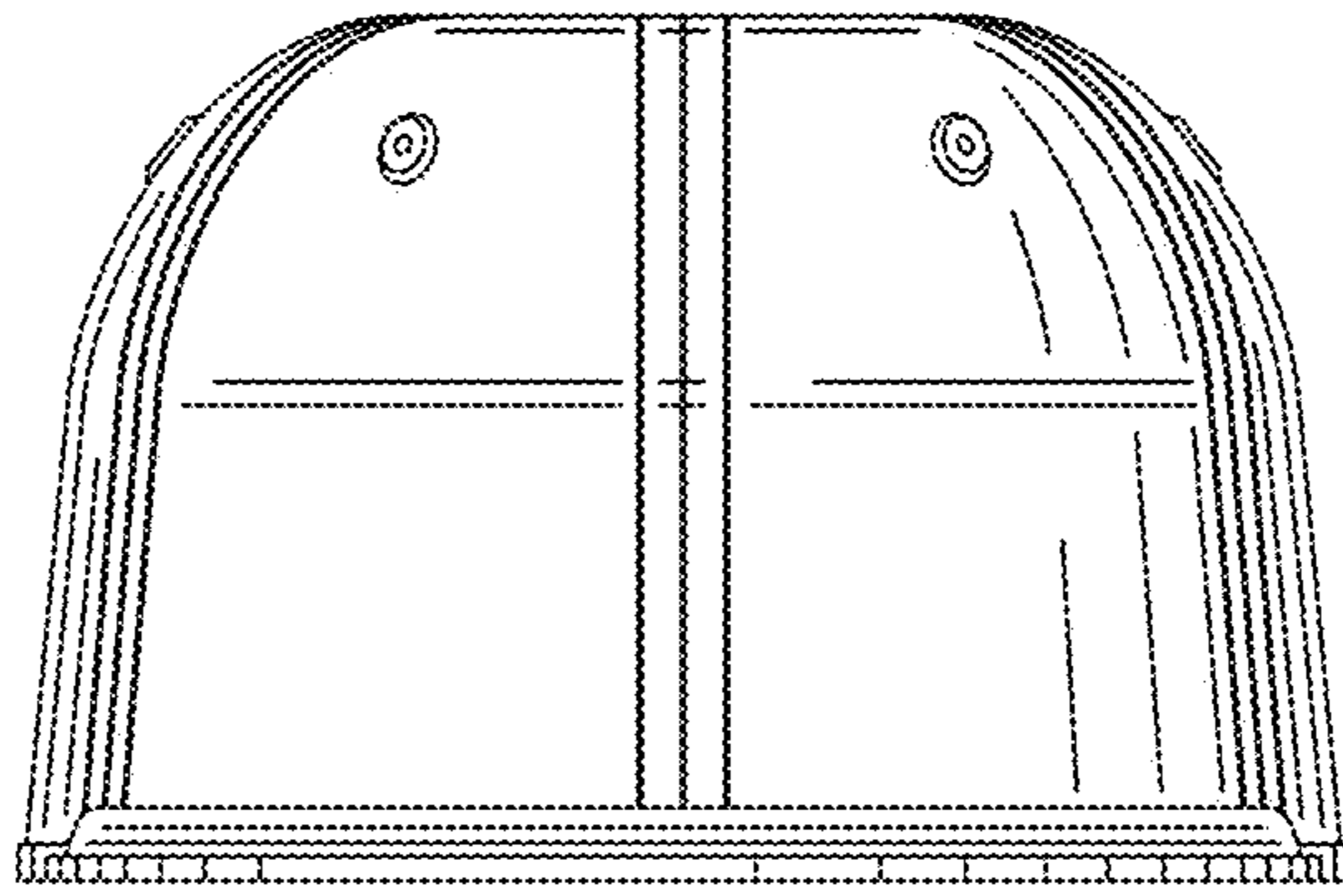


FIG. 4

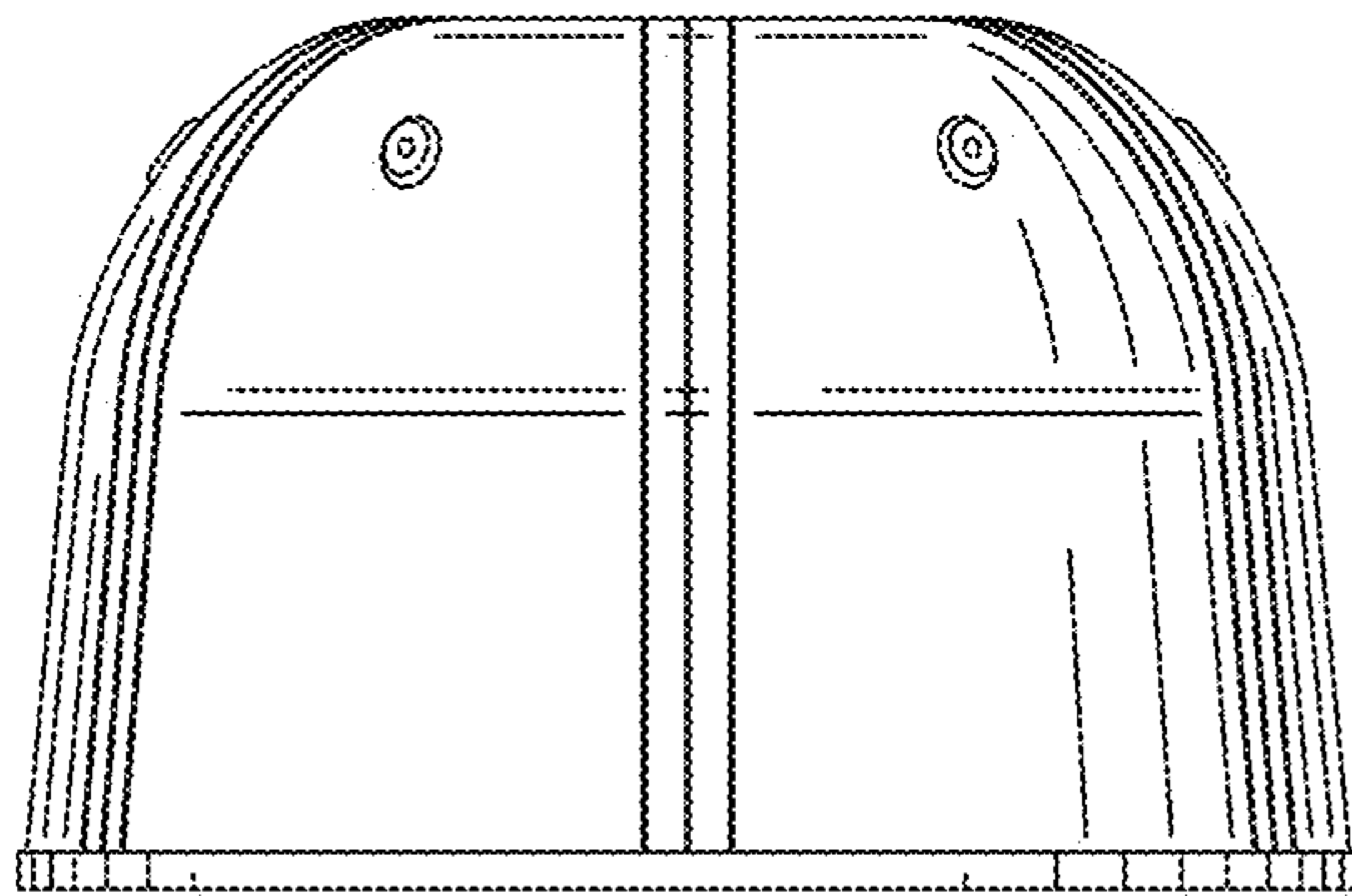


FIG. 5

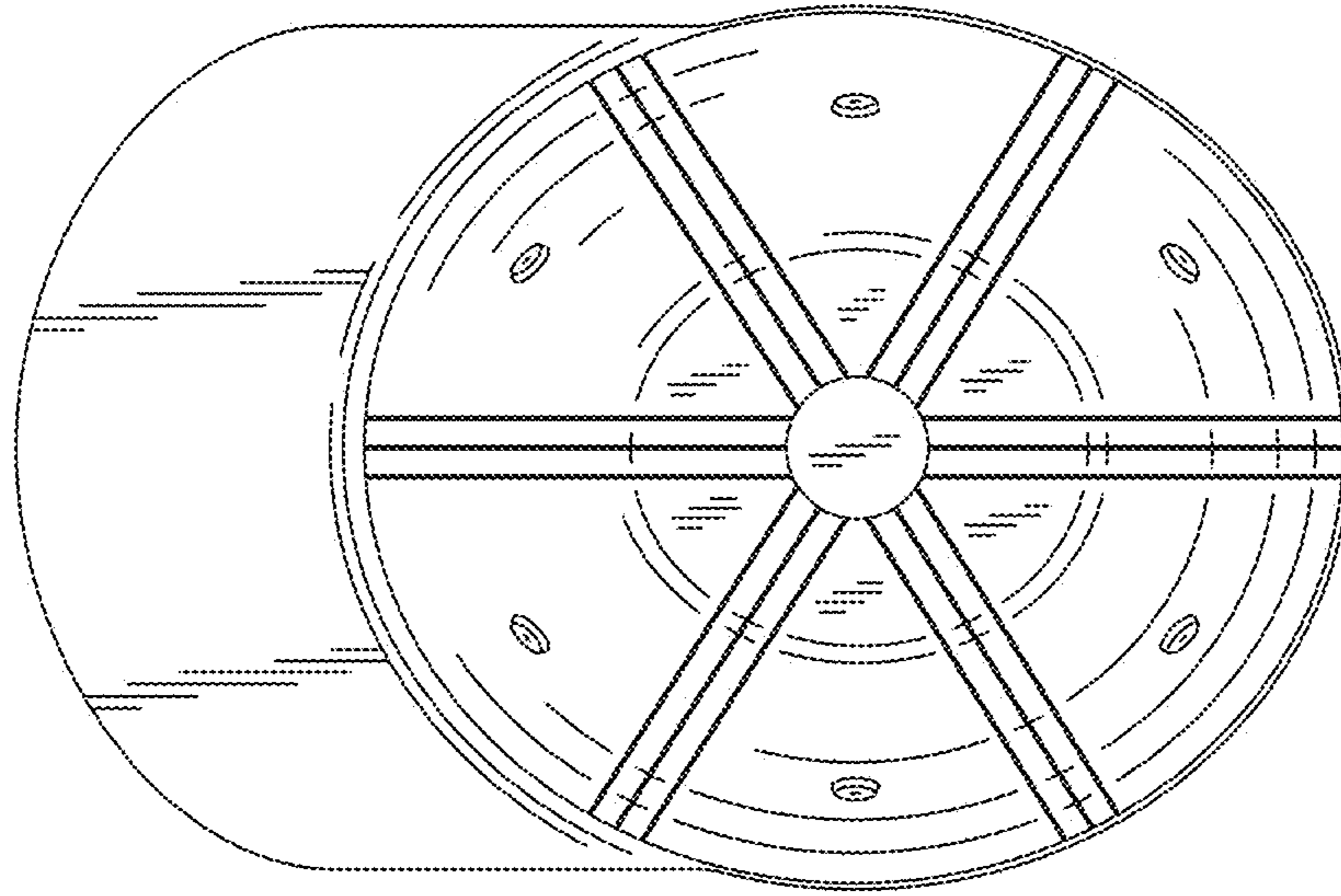


FIG. 6

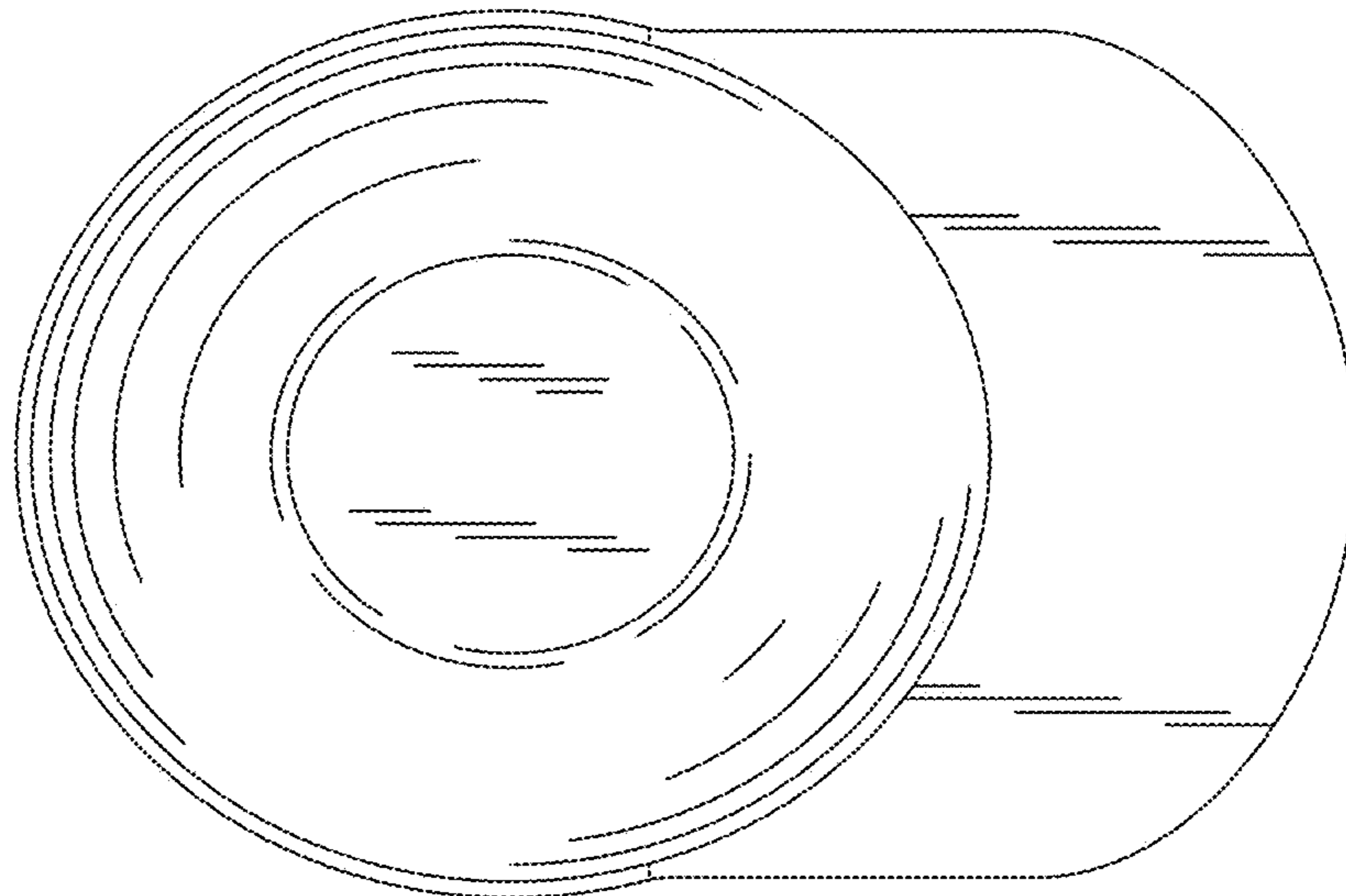


FIG. 7

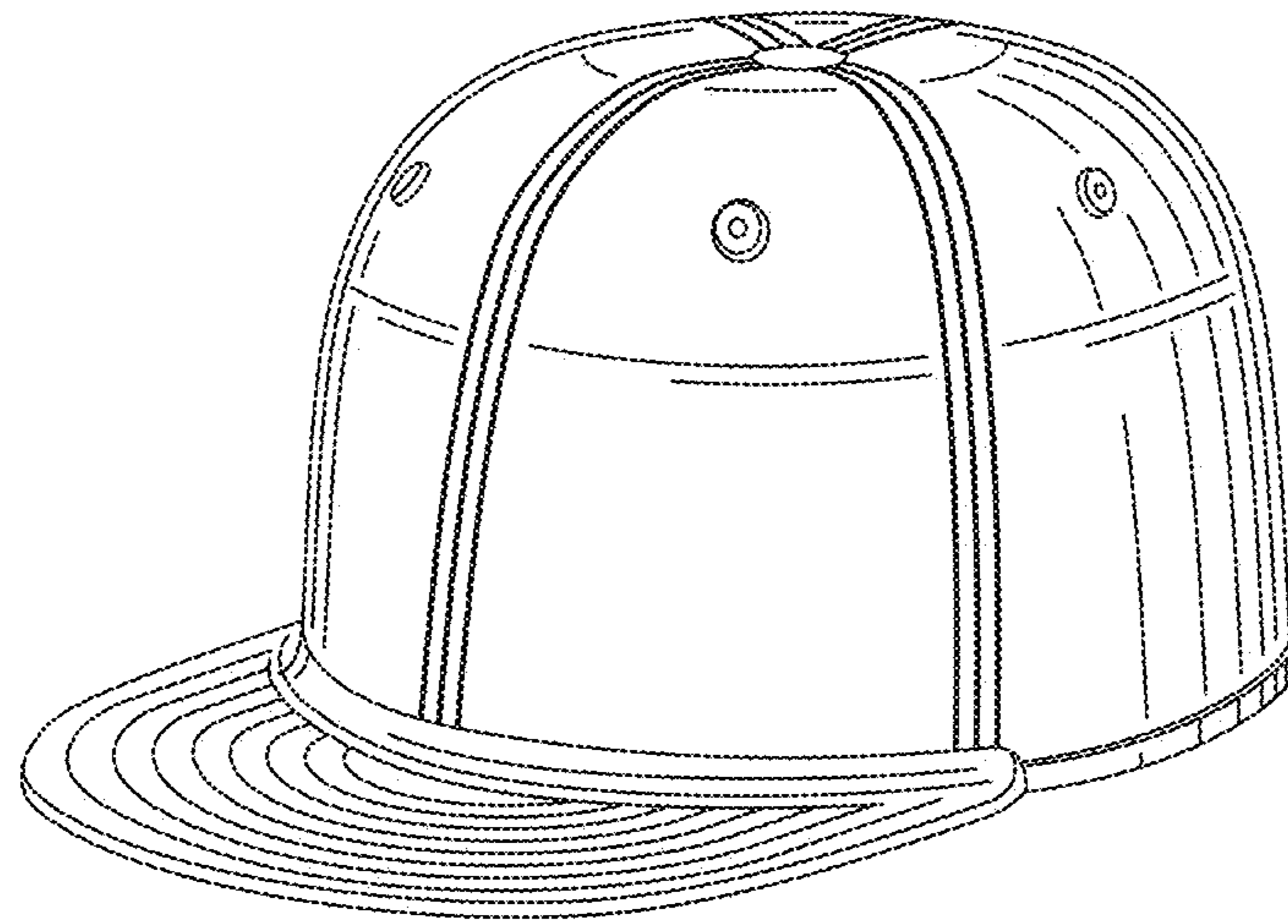


FIG. 8

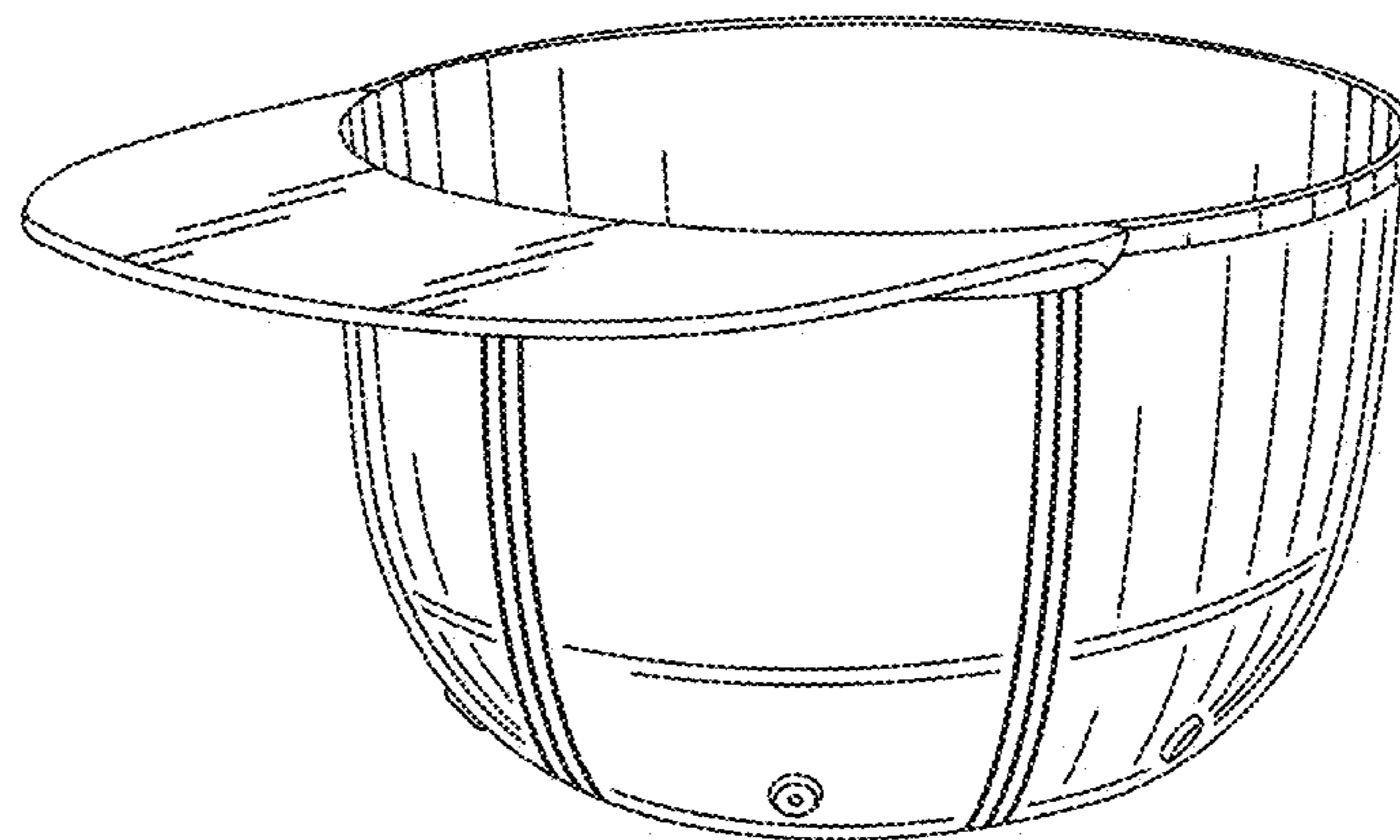


FIG. 9

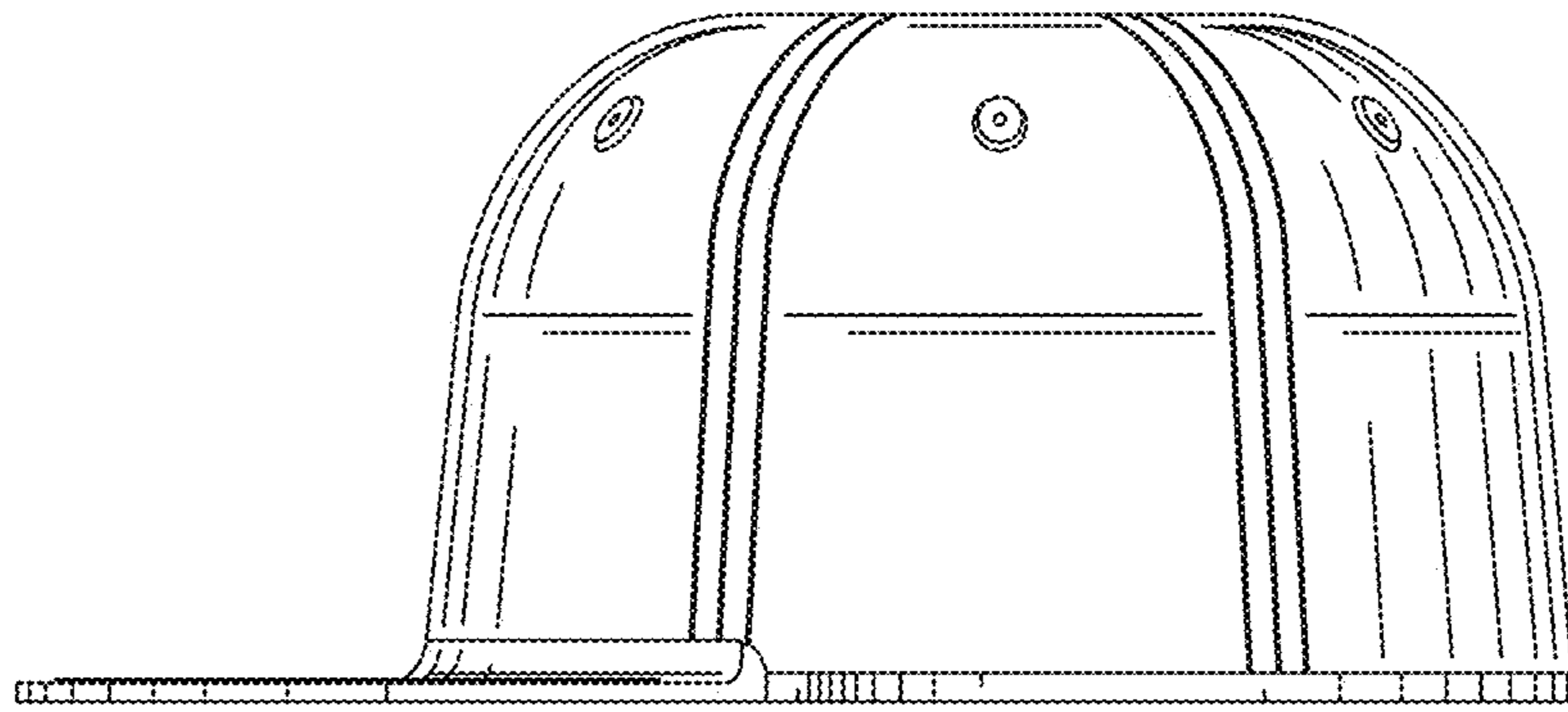


FIG. 10

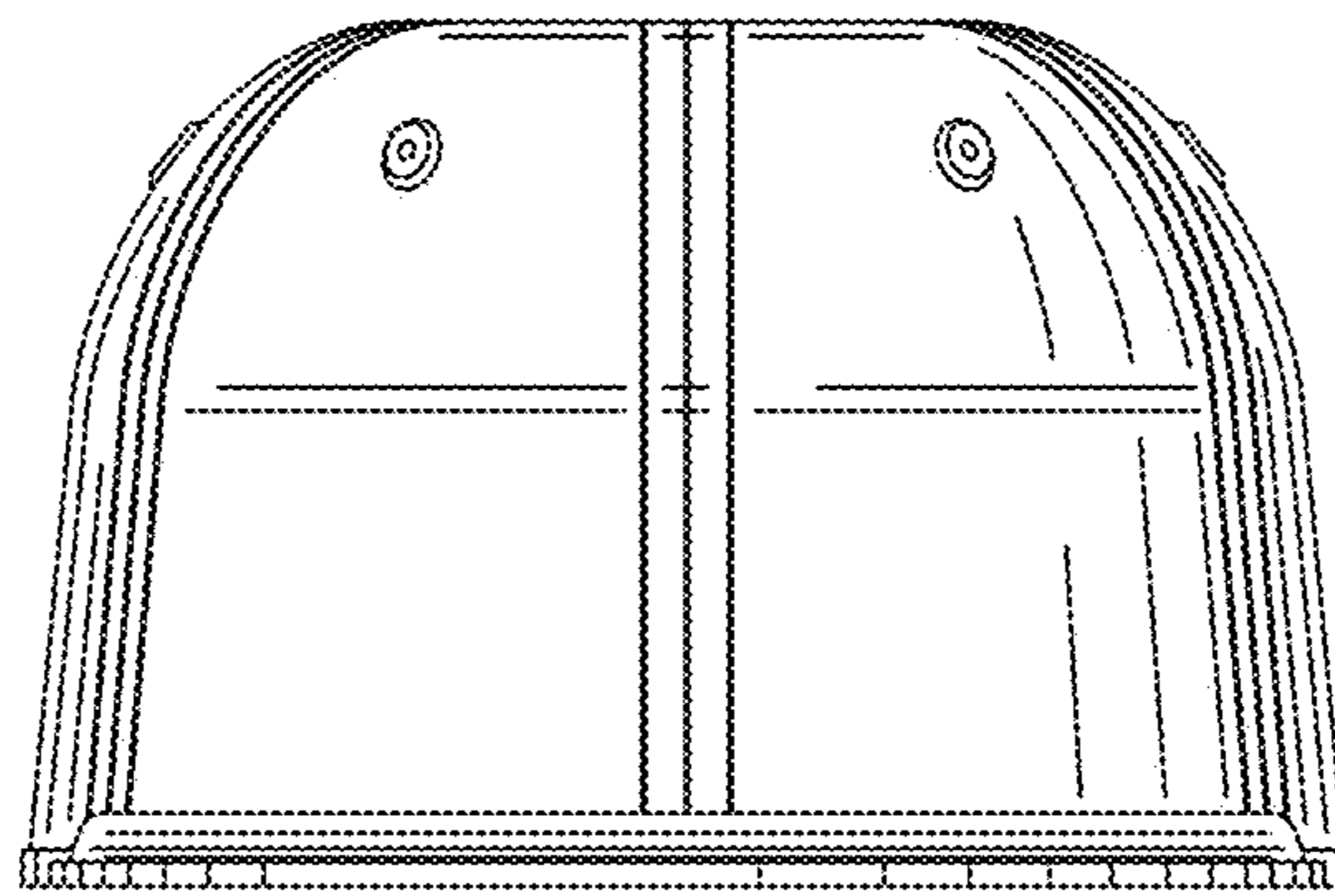


FIG. 11

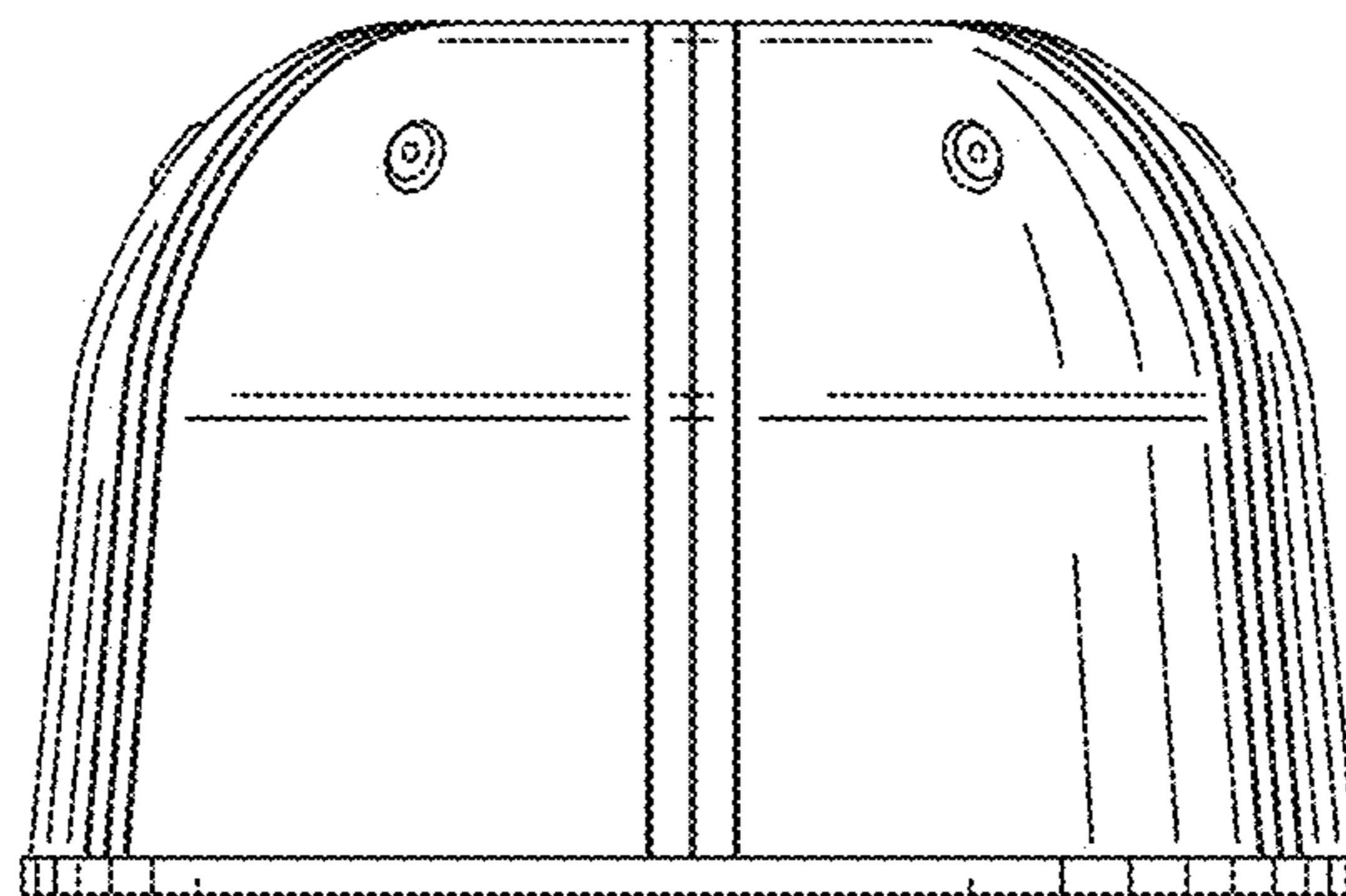


FIG. 12

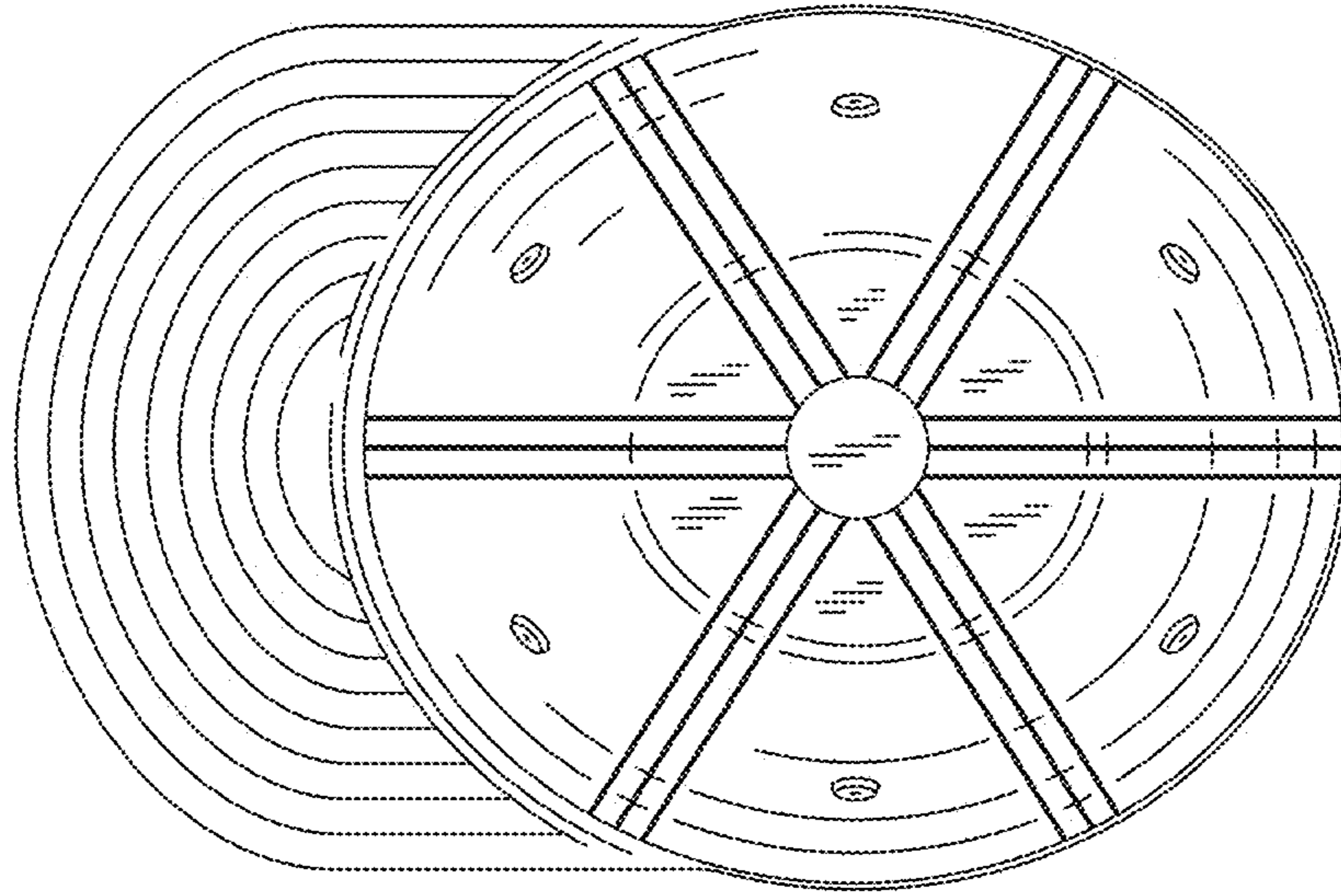


FIG. 13

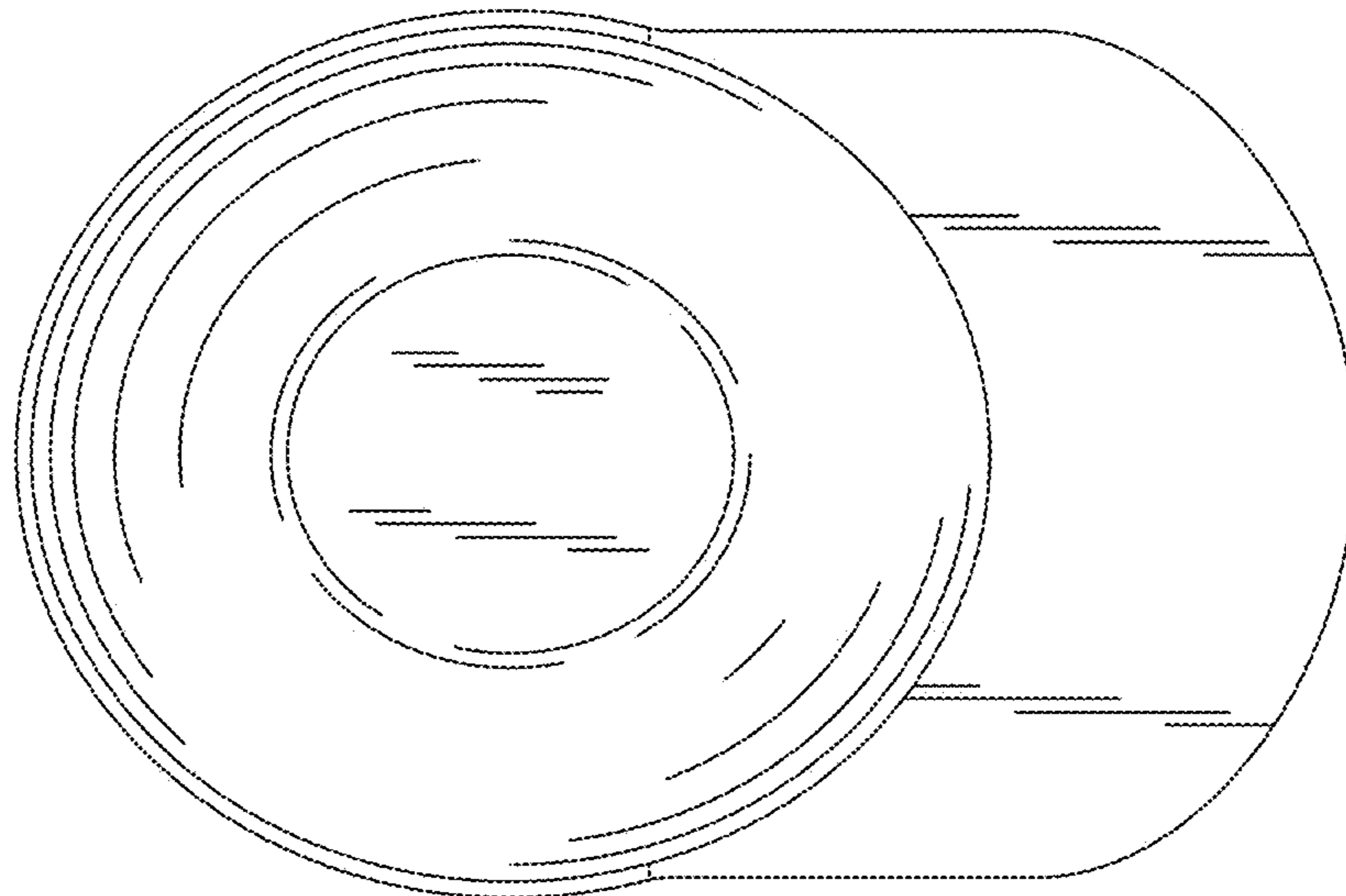


FIG. 14