



US00D871151S

(12) **United States Design Patent**  
**Hudson**

(10) **Patent No.:** **US D871,151 S**

(45) **Date of Patent:** **\*\* Dec. 31, 2019**

(54) **GLASS MUG**

(71) Applicant: **Ben Hudson**, Palm Beach (AU)

(72) Inventor: **Ben Hudson**, Palm Beach (AU)

(\*\*) Term: **15 Years**

(21) Appl. No.: **29/663,241**

(22) Filed: **Sep. 13, 2018**

(51) **LOC (12) Cl.** ..... **07-01**

(52) **U.S. Cl.**  
USPC ..... **D7/532; D7/536; D7/512**

(58) **Field of Classification Search**  
USPC ..... D7/507, 509, 510, 511, 512, 523, 532,  
D7/529, 531, 533, 535, 536, 608;  
D9/503, 504, 552, 435, 447; D11/143,  
D11/144, 152, 153; D24/197  
CPC ..... A47J 41/0077; A47J 41/02; A47G 19/22;  
A47G 19/2205; A47G 2019/2277; A47G  
19/2288; A45F 3/20; A45F 2003/205;  
B65D 43/02

See application file for complete search history.

4,082,184 A \* 4/1978 Hammer ..... B65D 1/22  
206/519

4,420,081 A \* 12/1983 Dart ..... B65D 1/265  
206/519

D289,484 S \* 4/1987 Forquer ..... D7/532

D358,764 S \* 5/1995 Robbins, III ..... D9/428

D426,750 S \* 6/2000 Madden-Askew ..... D7/532

D427,489 S \* 7/2000 Henry ..... D7/532

D432,359 S \* 10/2000 Madden-Askew ..... D7/532

6,405,892 B1 \* 6/2002 Volan ..... A47G 19/2288  
215/12.1

D459,948 S \* 7/2002 Cote ..... D7/533

D461,420 S \* 8/2002 Kerman ..... D10/46.2

6,666,329 B1 \* 12/2003 Charbonneau ..... A45F 3/20  
206/218

D506,356 S \* 6/2005 Norris ..... D7/510

(Continued)

**OTHER PUBLICATIONS**

<https://global.rakuten.com/en/store/livingut/item/4903320054950/> (Year: 2013).\*

*Primary Examiner* — Jae Liang  
(74) *Attorney, Agent, or Firm* — Eric Karich; Karich & Associates

(56) **References Cited**

**U.S. PATENT DOCUMENTS**

1,260,779 A \* 3/1918 Koos ..... B65D 21/086  
220/8

1,523,324 A \* 1/1925 West ..... A47G 19/2205  
220/8

D94,000 S \* 12/1934 Sebring ..... D7/536

D176,022 S \* 11/1955 Victor ..... D9/772

2,880,902 A \* 4/1959 Owsen ..... A45F 3/20  
220/8

D199,749 S \* 12/1964 Schnur ..... D7/533

3,285,459 A \* 11/1966 Gahm ..... A61J 7/0046  
220/8

3,471,058 A \* 10/1969 Latham ..... B65D 21/086  
222/92

D220,204 S \* 3/1971 Gahm ..... D7/512

3,949,524 A \* 4/1976 Mickelson ..... A01G 9/02  
47/79

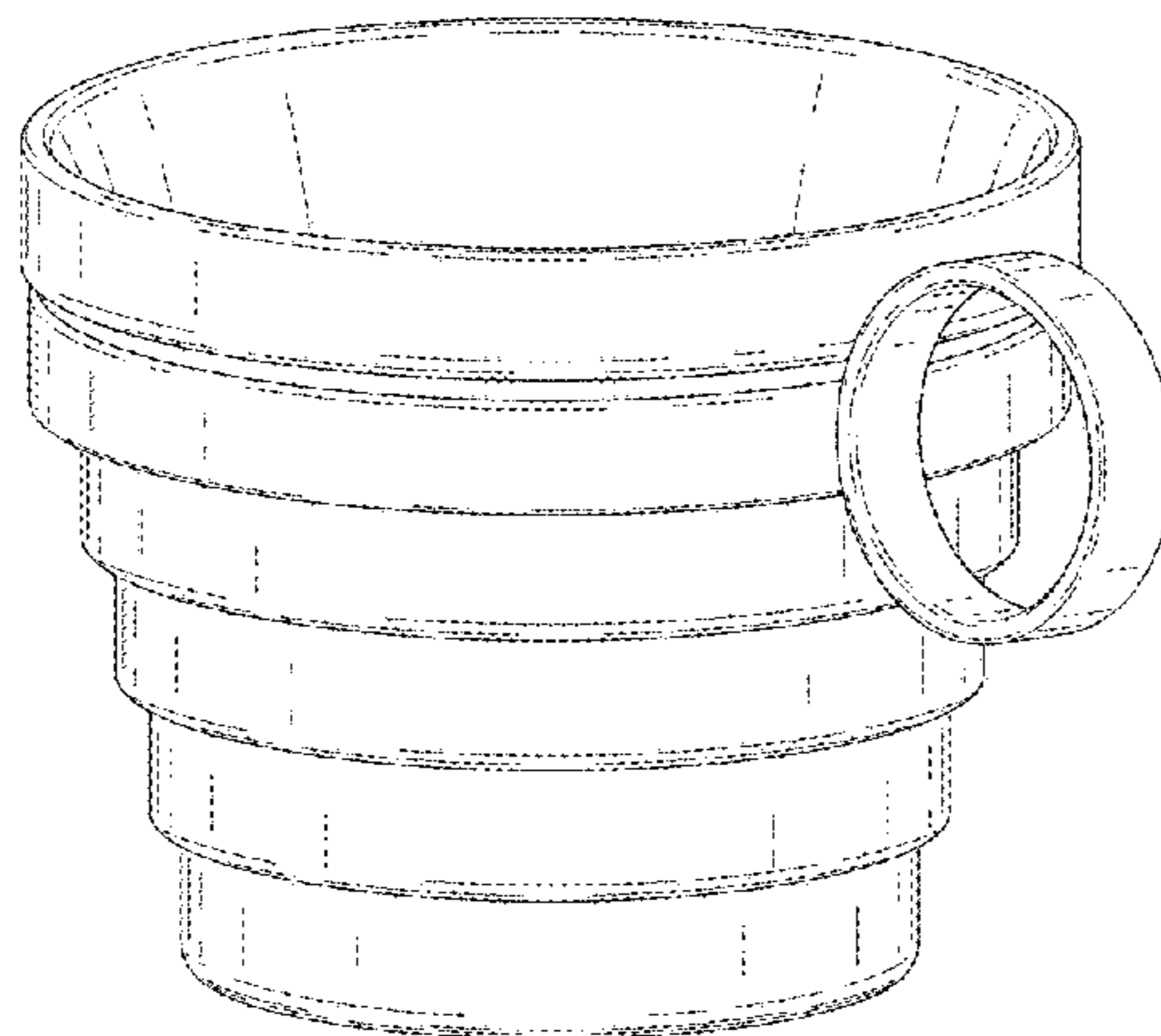
(57) **CLAIM**

The ornamental design for a glass mug, as shown and described.

**DESCRIPTION**

FIG. 1 is a perspective view of a glass mug, showing my new design;  
FIG. 2 is a front elevational view thereof;  
FIG. 3 is a rear elevational view thereof;  
FIG. 4 is a left side elevational view thereof;  
FIG. 5 is a right side elevational view thereof;  
FIG. 6 is a top plan view thereof; and,  
FIG. 7 is a bottom plan view thereof.

**1 Claim, 4 Drawing Sheets**



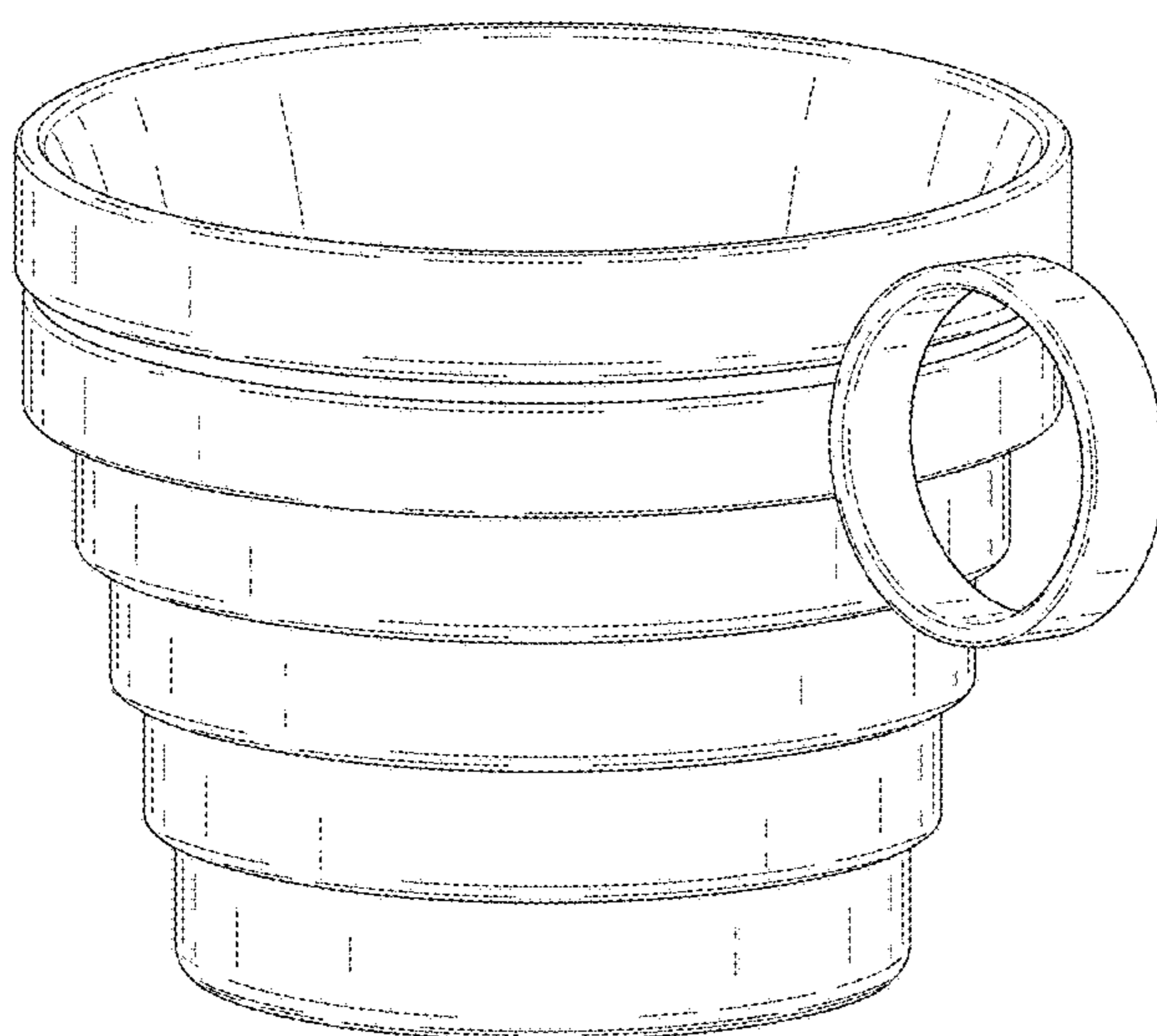
(56)

**References Cited**

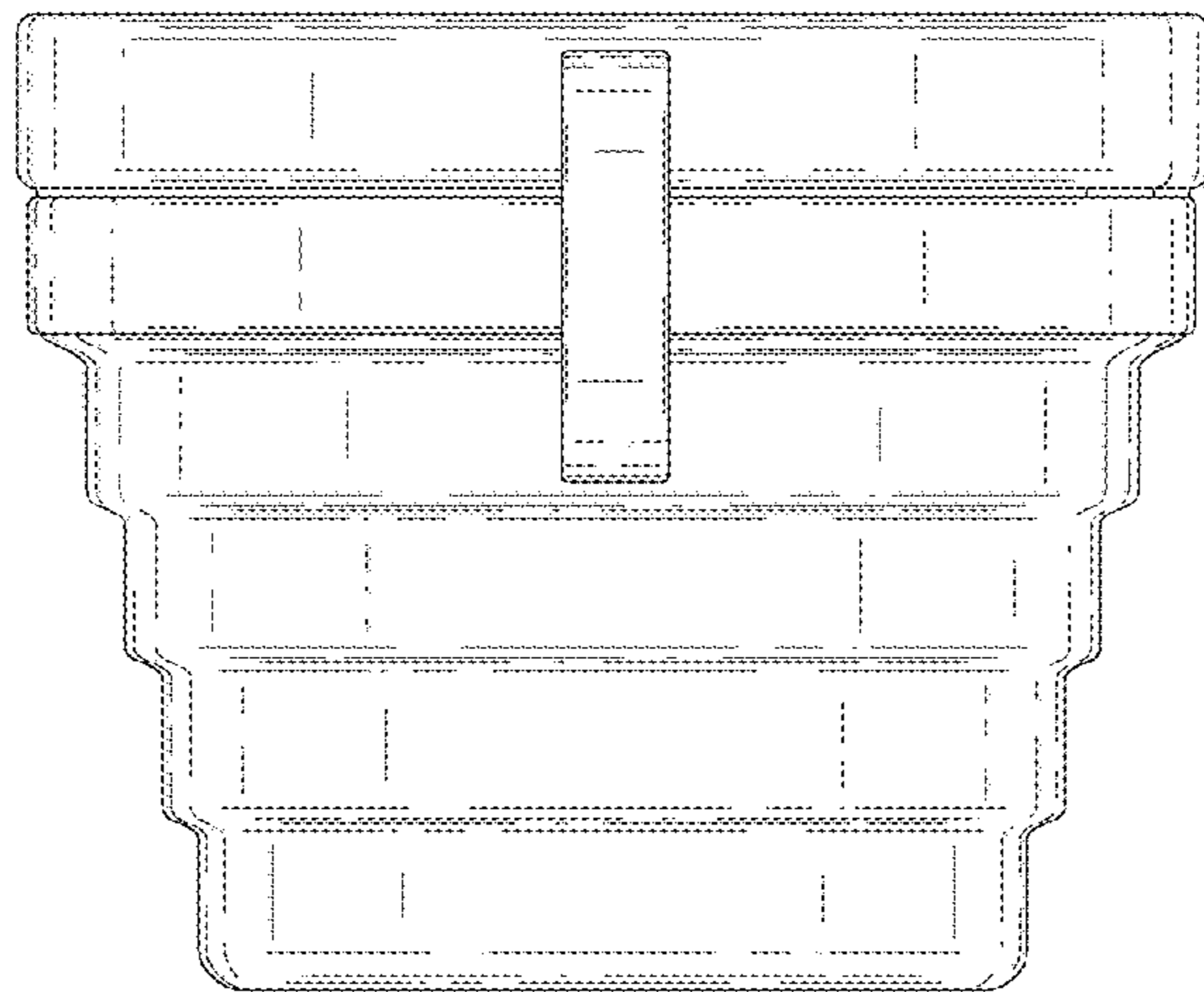
U.S. PATENT DOCUMENTS

D538,993 S \* 3/2007 Cabeza ..... D34/1  
 D544,303 S \* 6/2007 Strepkoff ..... D7/512  
 D550,036 S \* 9/2007 Holcomb ..... D7/512  
 D597,377 S \* 8/2009 Poindexter ..... D7/536  
 D607,692 S \* 1/2010 Skala ..... D7/523  
 D614,448 S \* 4/2010 Cahen ..... D7/523  
 D650,634 S \* 12/2011 Hodge ..... D7/523  
 D664,003 S \* 7/2012 Nagoya ..... D7/400  
 D674,663 S \* 1/2013 Cahen ..... D7/510  
 D710,650 S \* 8/2014 Blum ..... D7/510  
 D739,782 S \* 9/2015 Pettigrew ..... D11/152  
 D756,705 S \* 5/2016 Abrams ..... D7/510  
 D758,215 S \* 6/2016 Yamazaki ..... D10/46.2  
 D769,674 S \* 10/2016 Goode ..... D7/507  
 D793,809 S \* 8/2017 Bodum ..... D7/509  
 D796,905 S \* 9/2017 Kestenbaum ..... D7/510  
 D825,995 S \* 8/2018 Kestenbaum ..... D7/532  
 D828,068 S \* 9/2018 Tsui ..... D7/313  
 D857,445 S \* 8/2019 Keung ..... D7/392.1  
 10,393,564 B1 \* 8/2019 Dabney  
 2011/0303659 A1 \* 12/2011 Perlman ..... A45F 3/20  
 220/8  
 2013/0264340 A1 \* 10/2013 Zens ..... B65D 21/086  
 220/8  
 2013/0277364 A1 \* 10/2013 Kusuma ..... A45F 3/20  
 220/8  
 2015/0291309 A1 \* 10/2015 McGregor ..... A45C 7/0036  
 220/573.1  
 2018/0221936 A1 \* 8/2018 Scott ..... B65D 1/00

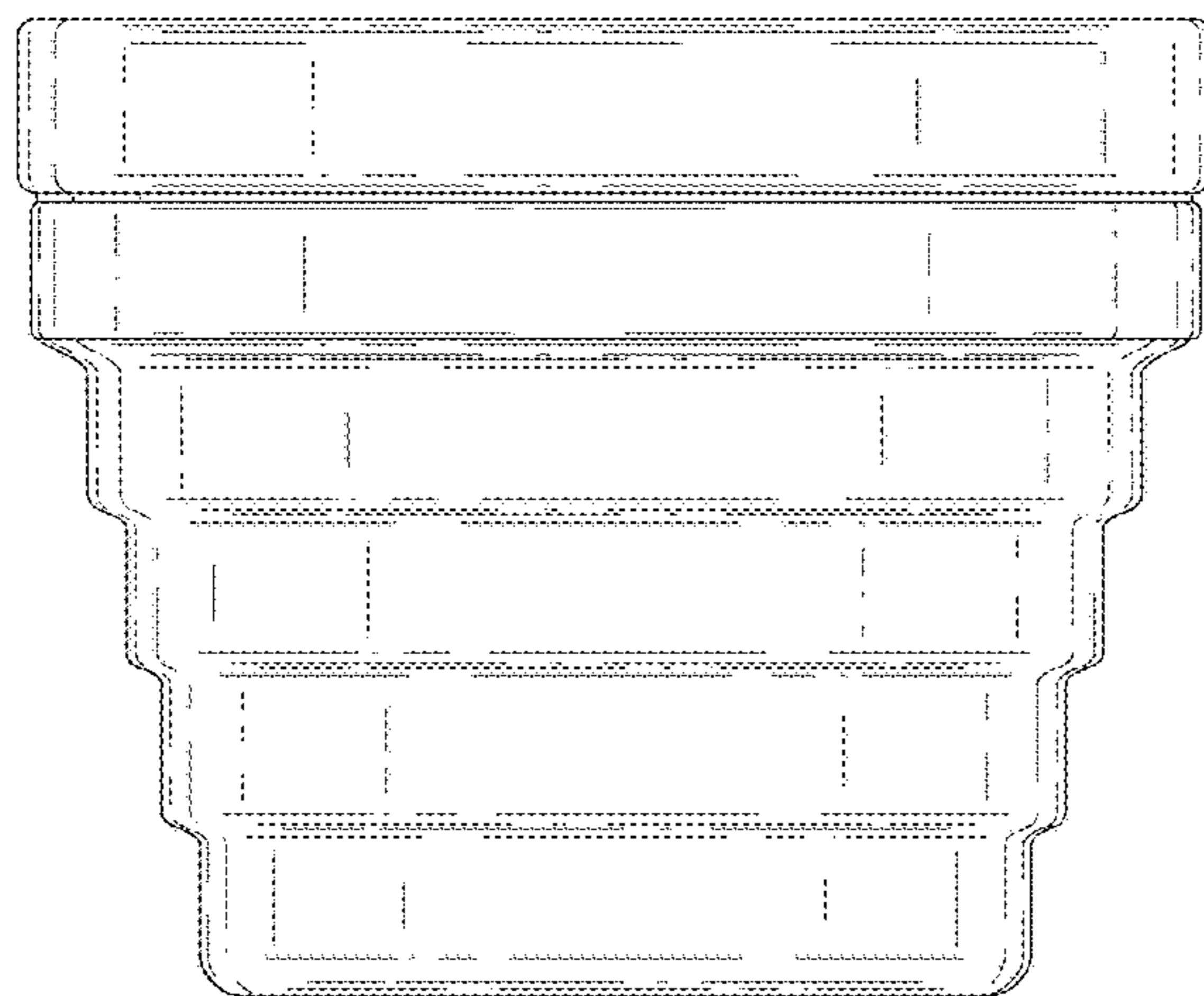
\* cited by examiner



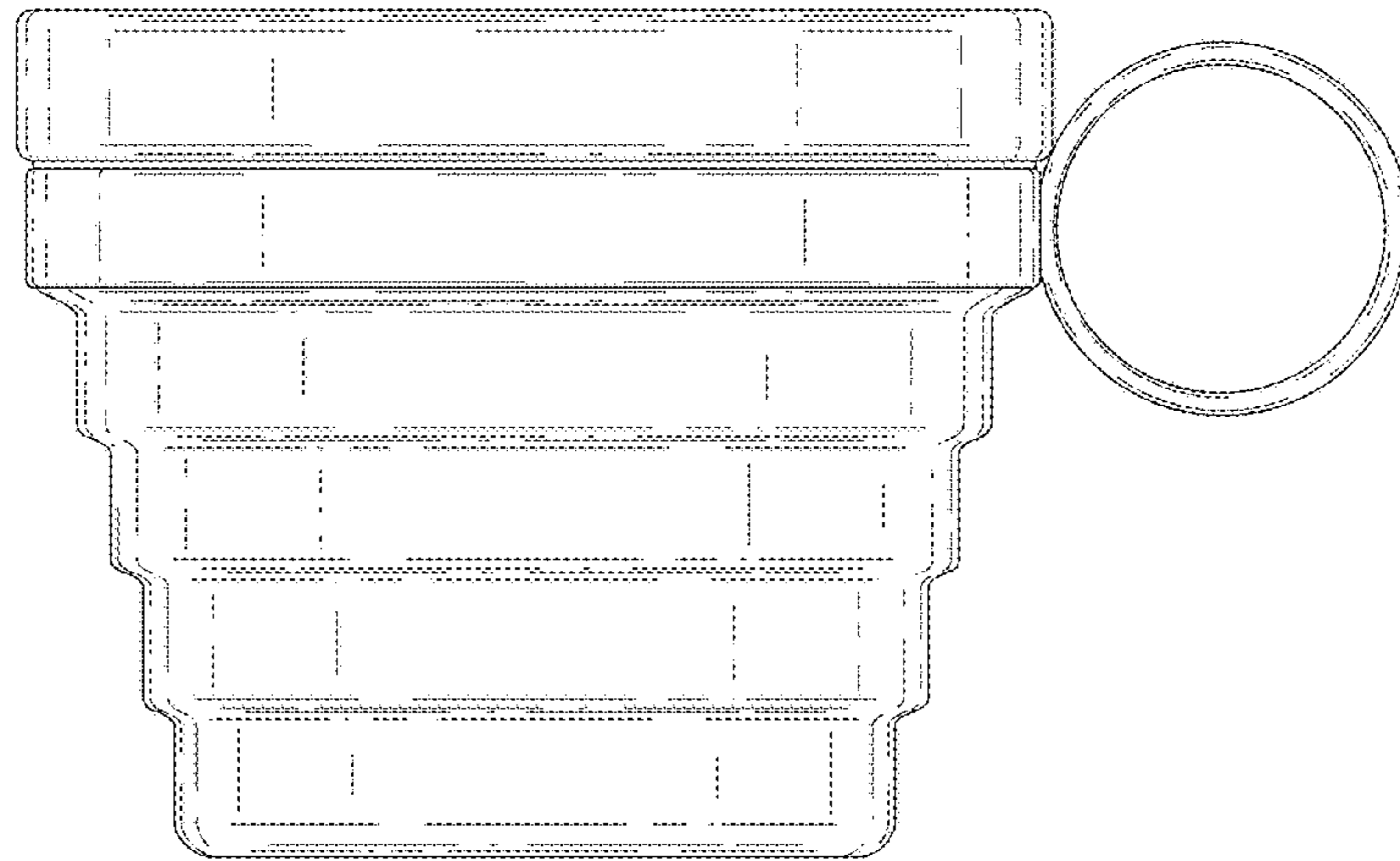
*Fig. 1*



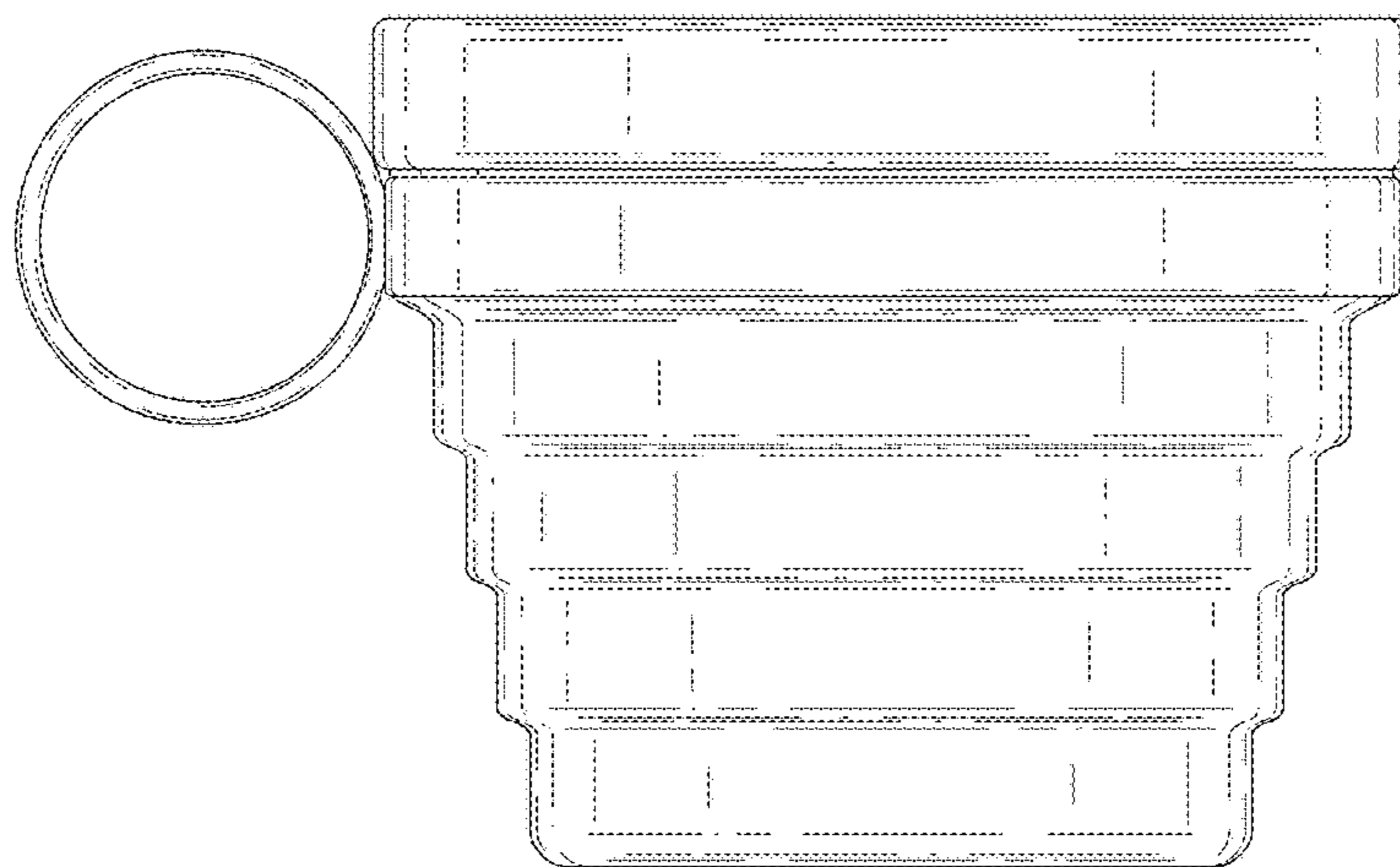
*Fig. 2*



*Fig. 3*

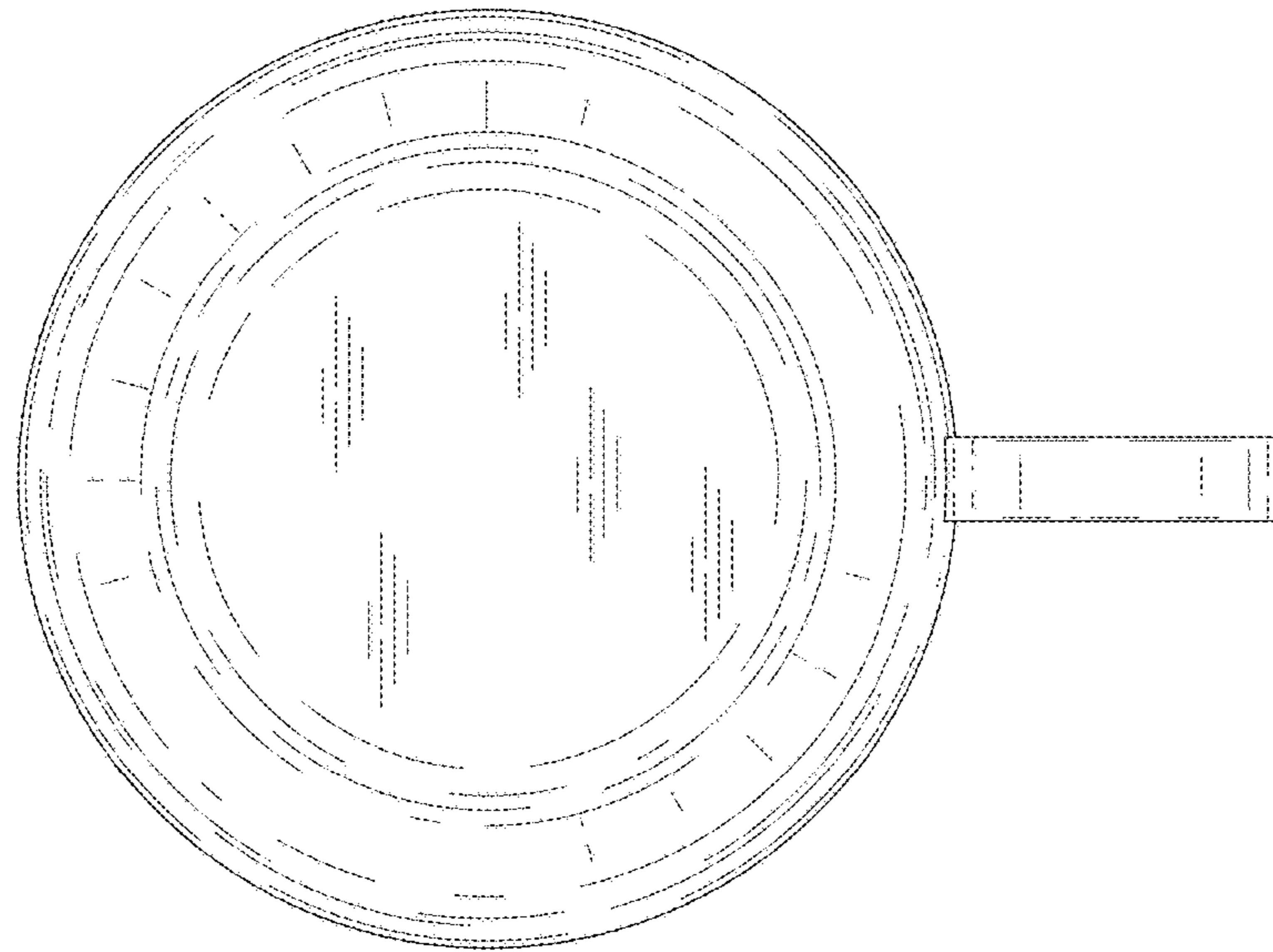


*Fig. 4*

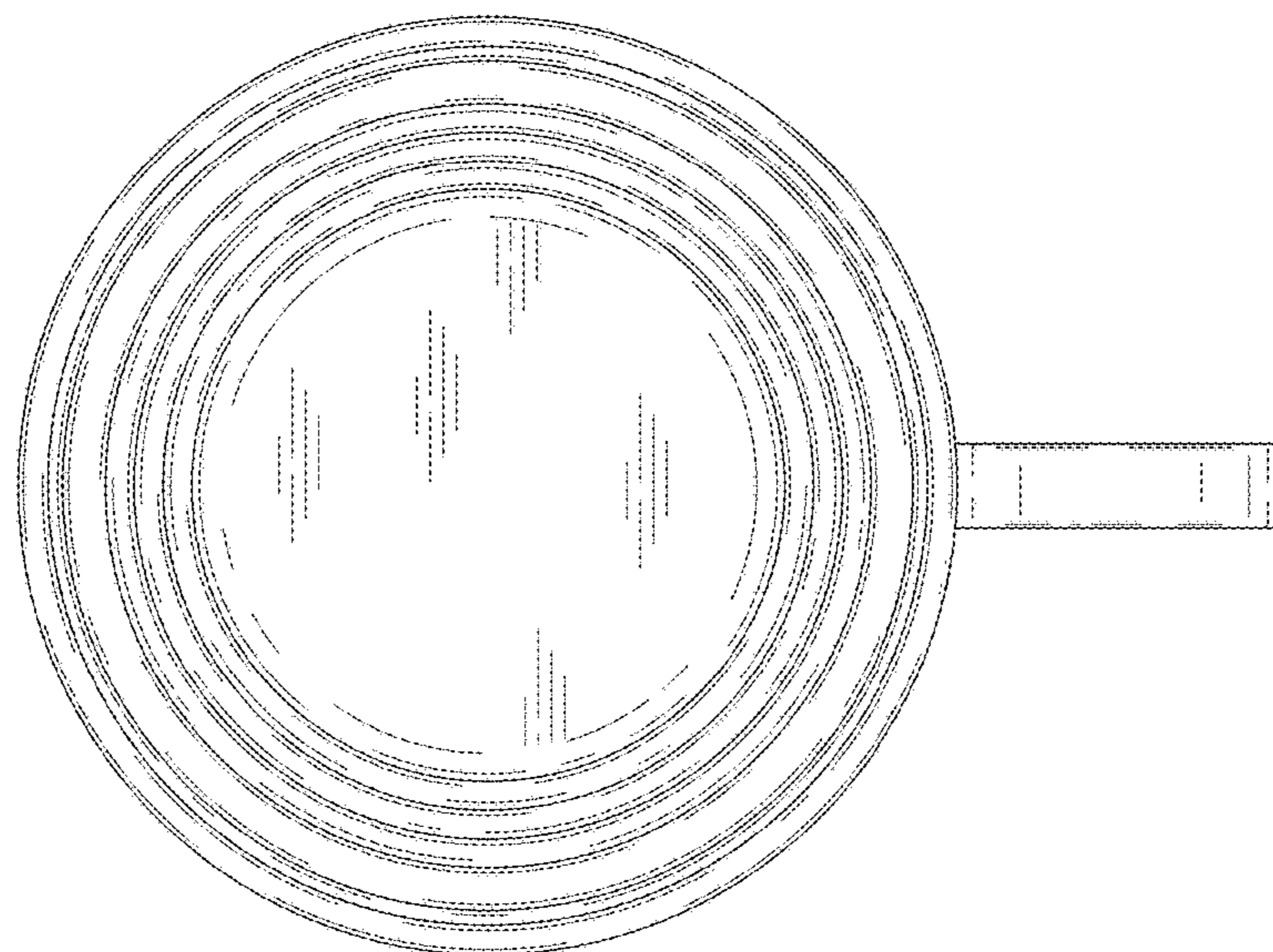


*Fig. 5*





*Fig. 6*



*Fig. 7*