



US00D871146S

(12) **United States Design Patent**
Herbert

(10) **Patent No.:** **US D871,146 S**

(45) **Date of Patent:** **** Dec. 31, 2019**

(54) **SHOTGUN SHELL MUG**

(71) Applicant: **Eric Michael Herbert**, Harrisburg, NC
(US)

(72) Inventor: **Eric Michael Herbert**, Harrisburg, NC
(US)

(73) Assignee: **Fairly Odd Treasures, LLC.**, Concord,
NC (US)

(**) Term: **15 Years**

(21) Appl. No.: **29/669,760**

(22) Filed: **Nov. 11, 2018**

(51) **LOC (12) Cl.** **07-01**

(52) **U.S. Cl.**
USPC **D7/515; D7/533; D7/531**

(58) **Field of Classification Search**
USPC D7/523, 532, 524, 509, 515, 514, 300.1,
D7/536, 533, 368, 306, 531, 606, 608;
220/703, 592.16, 592.17; 215/382, 13.1;
D22/104; 42/70.06
CPC A47G 19/22; A47G 19/23; A47G 19/2205;
A24F 3/00

See application file for complete search history.

(56) **References Cited**

U.S. PATENT DOCUMENTS

D171,287 S * 1/1954 Alvarez 428/542.4
2,749,727 A * 6/1956 Fabro A47G 23/0233
215/236
D207,408 S * 4/1967 Levin D7/515
D247,277 S * 2/1978 Refsgaard D7/536
D303,195 S * 9/1989 Devine D7/515

D493,068 S * 7/2004 Slater D7/510
D505,298 S * 5/2005 Holt D7/515
D617,147 S * 6/2010 White D22/104
8,257,134 B2 * 9/2012 Zuloff A63F 5/04
124/37
8,347,539 B2 * 1/2013 Burns, III F41A 17/54
42/70.06
D697,765 S * 1/2014 Wampold D7/606
D719,783 S * 12/2014 Eubank D7/515
D719,784 S * 12/2014 Eubank D7/515
D721,541 S * 1/2015 Evans D7/515
D740,608 S * 10/2015 Apel D7/515
D750,435 S * 3/2016 Hebert D7/515
D755,014 S * 5/2016 Hebert D7/515
D763,623 S * 8/2016 Eubank D7/515
D792,159 S * 7/2017 Gibson D7/511
D799,273 S * 10/2017 Wright D7/515
D831,428 S * 10/2018 Gibson D7/533
2012/0137559 A1 * 6/2012 Burns, III F41A 17/54
42/70.06

* cited by examiner

Primary Examiner — Marianne N Pandozzi

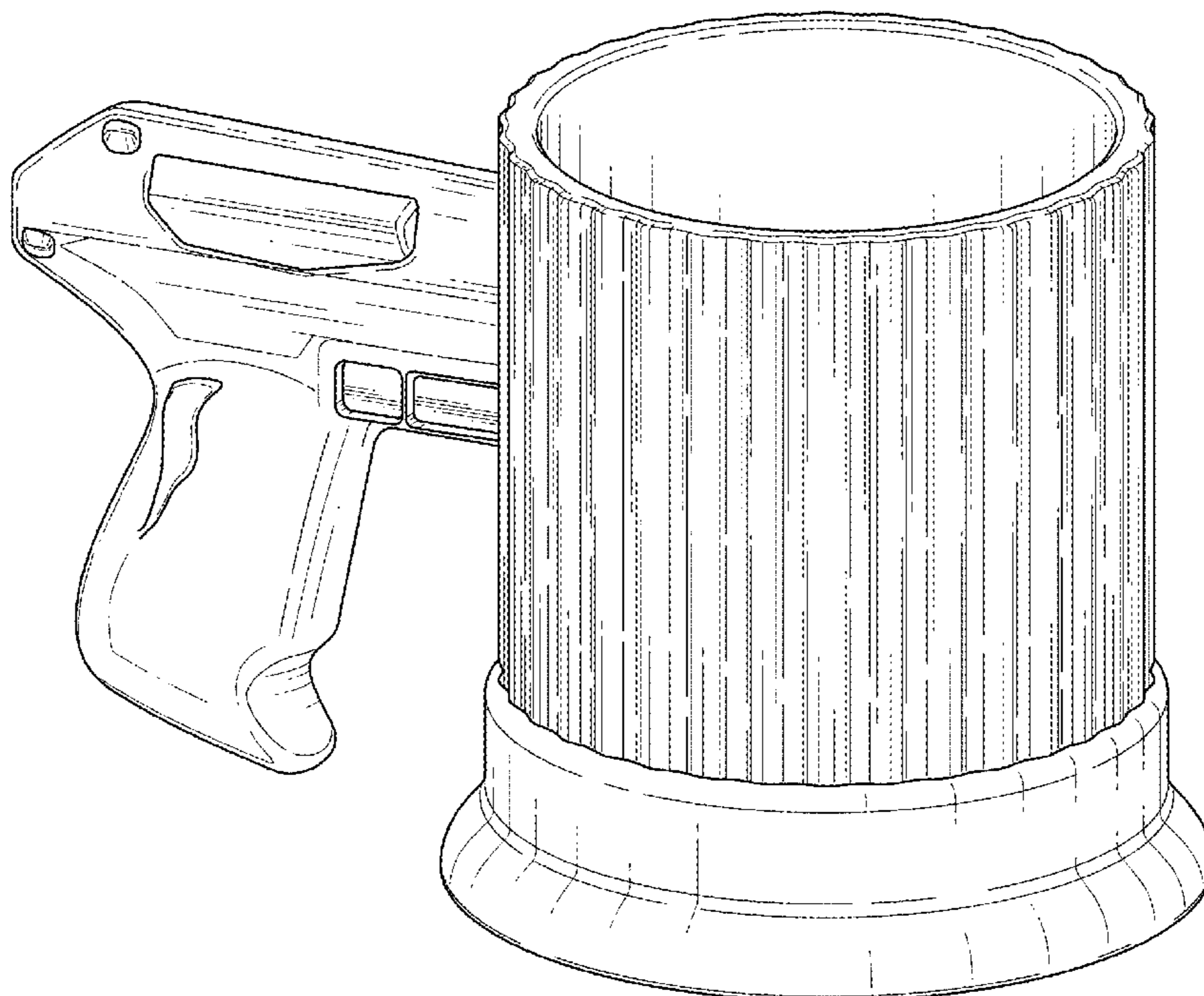
(57) **CLAIM**

The ornamental design for a shotgun shell mug, as shown and described.

DESCRIPTION

FIG. 1 is a perspective view of a shotgun shell mug showing my new design;
FIG. 2 is a front view thereof;
FIG. 3 is a rear view thereof;
FIG. 4 is a left side view thereof;
FIG. 5 is a right side view thereof;
FIG. 6 is a top plan view thereof; and,
FIG. 7 is a bottom plan view thereof.

1 Claim, 4 Drawing Sheets



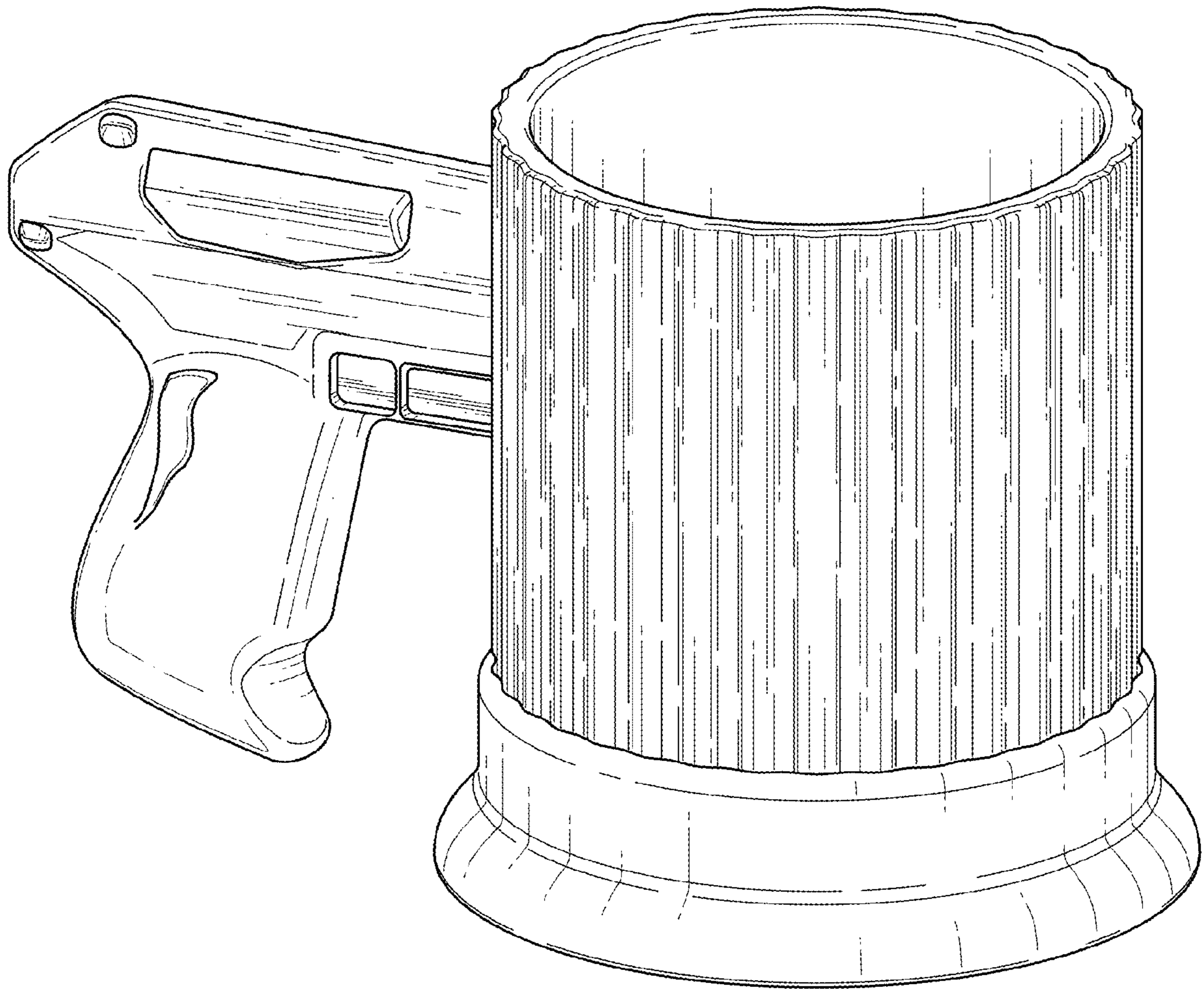


FIG. 1

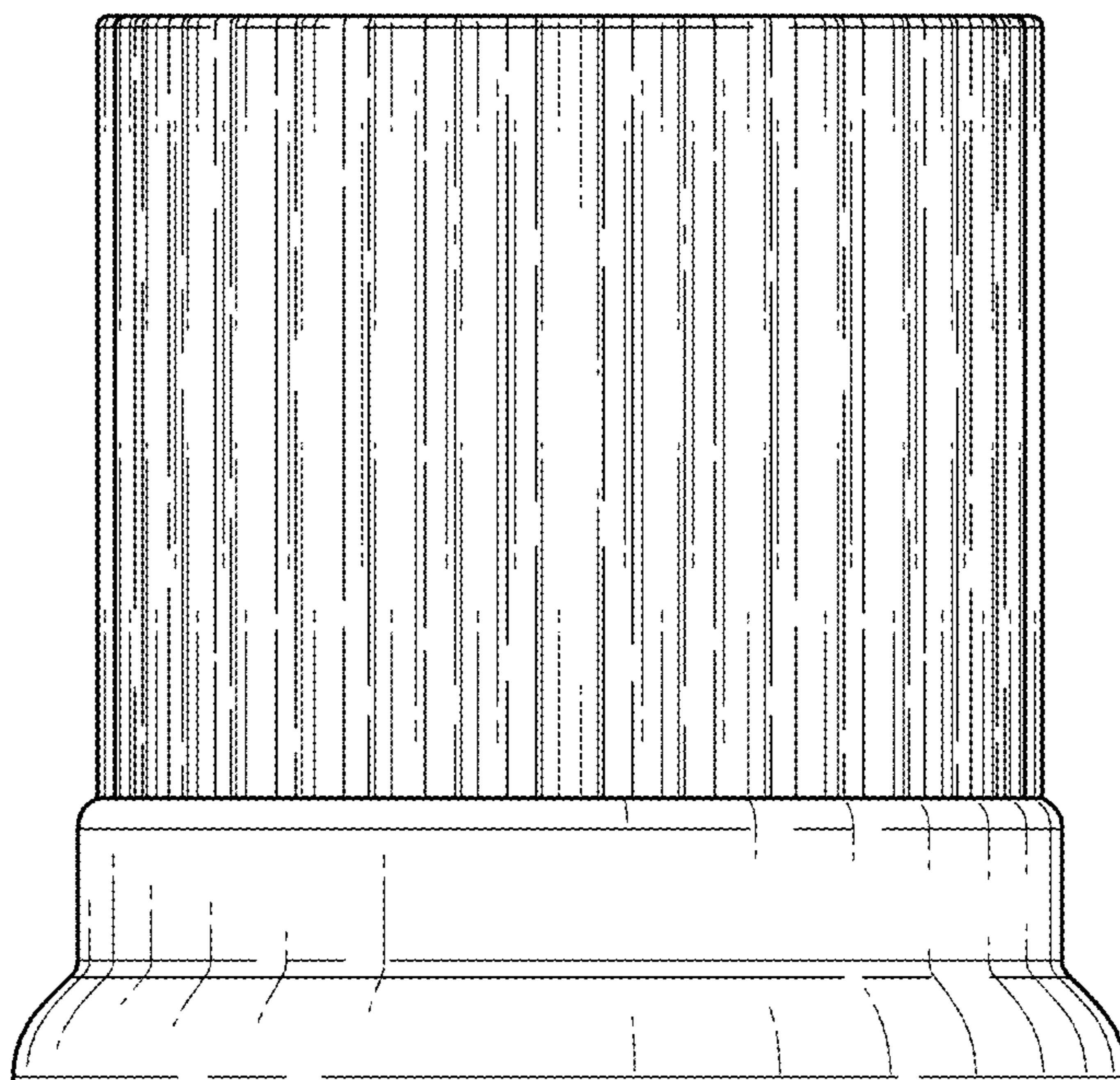


FIG. 2

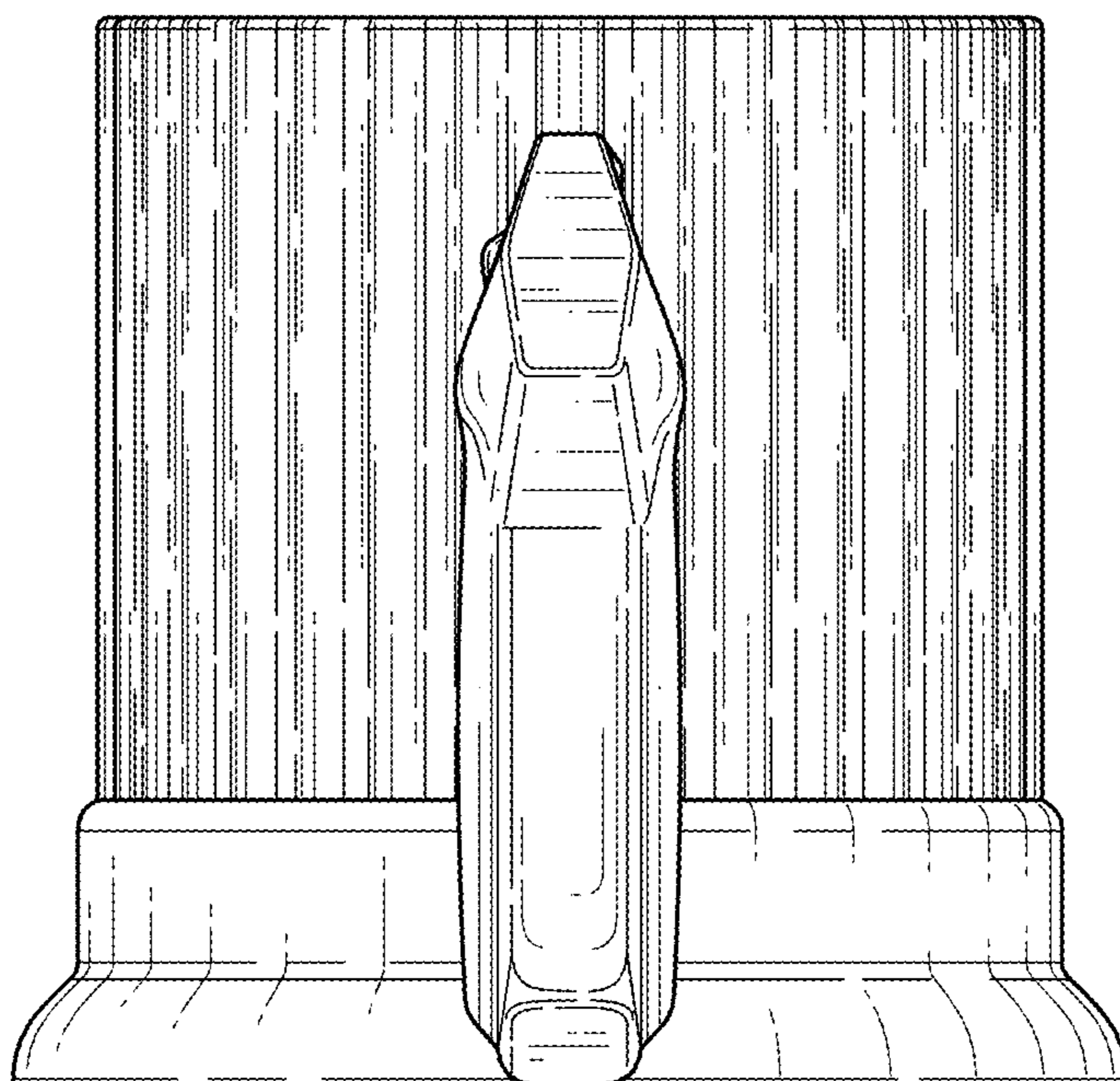


FIG. 3

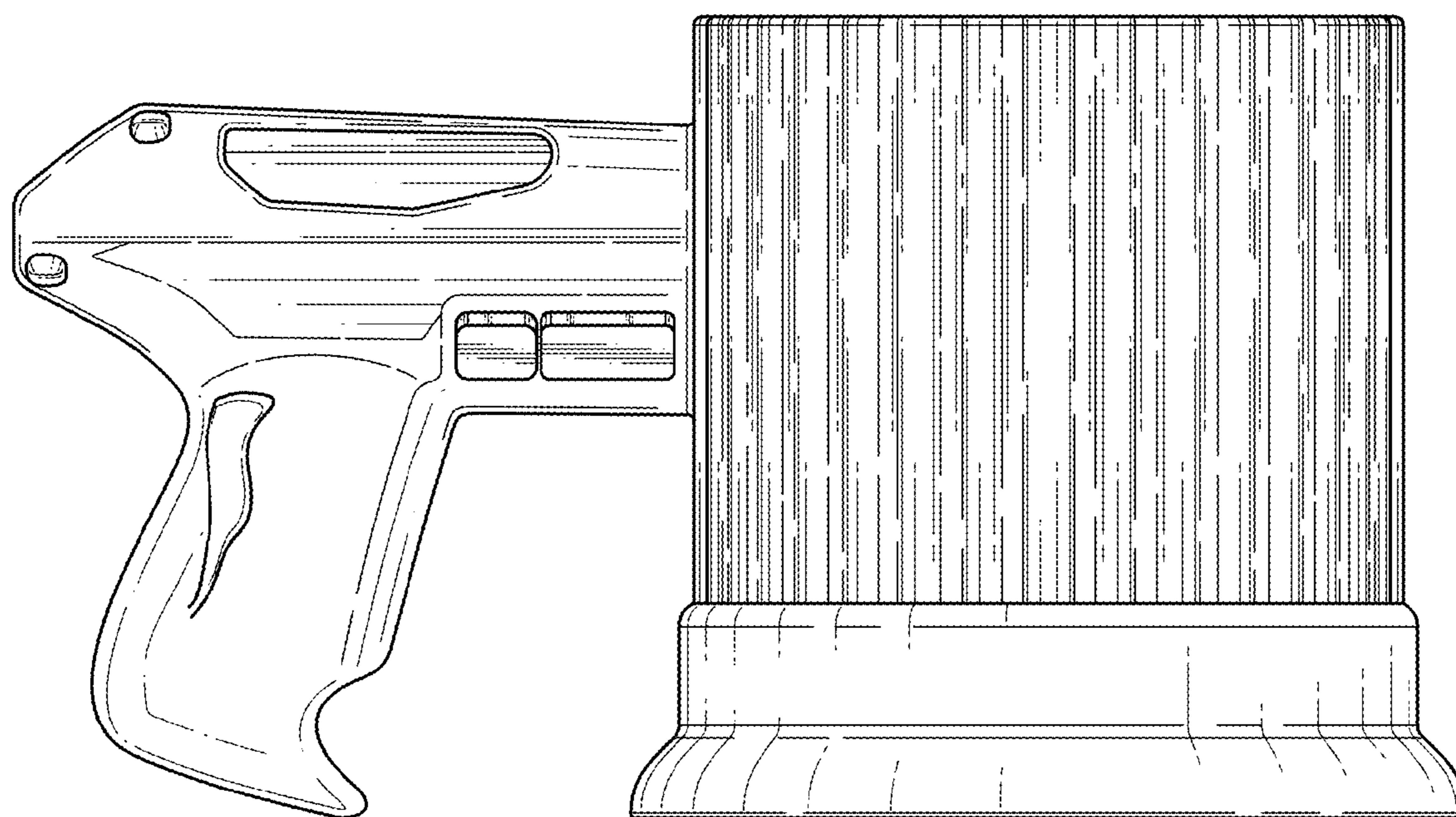


FIG. 4

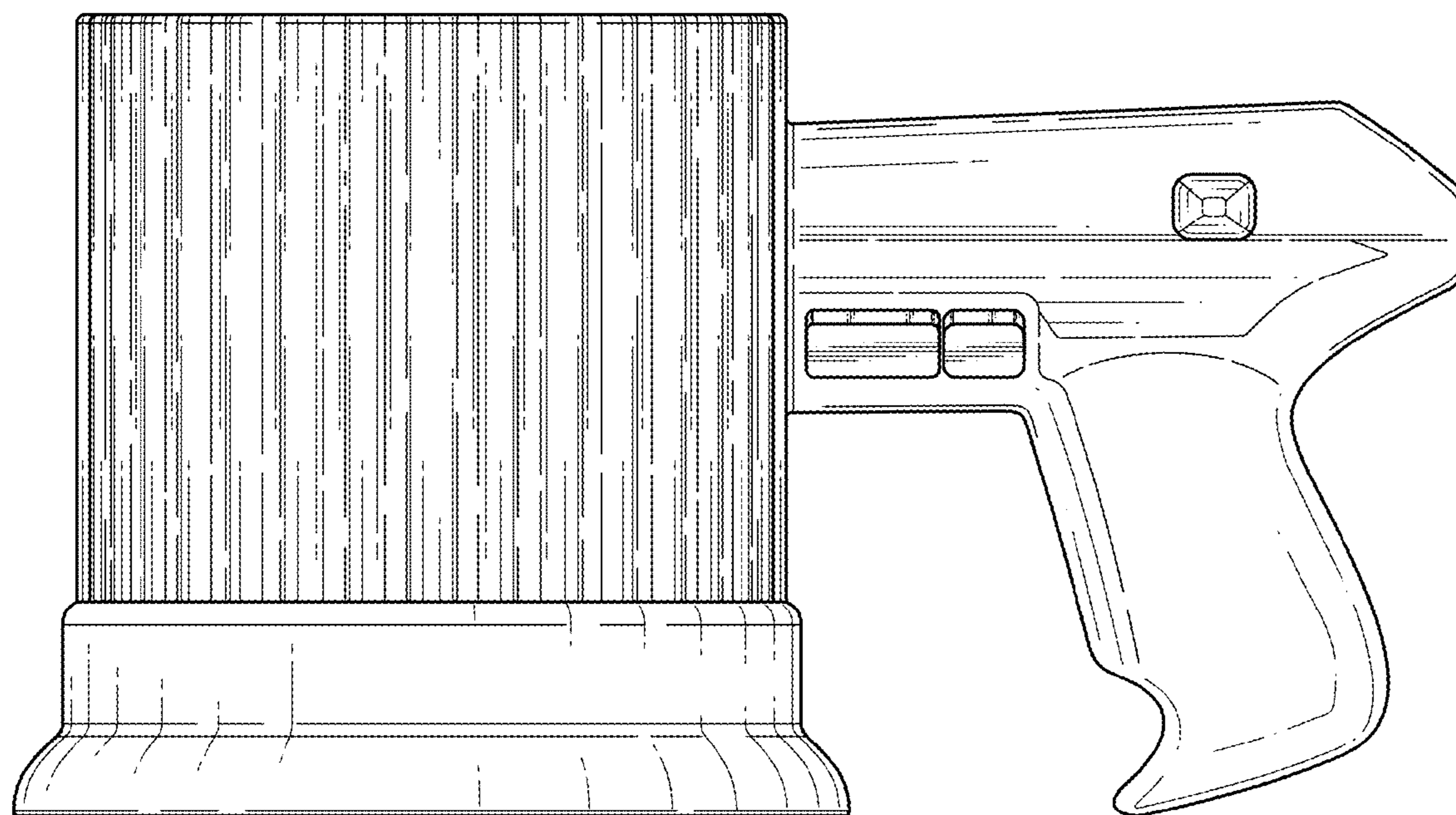


FIG. 5

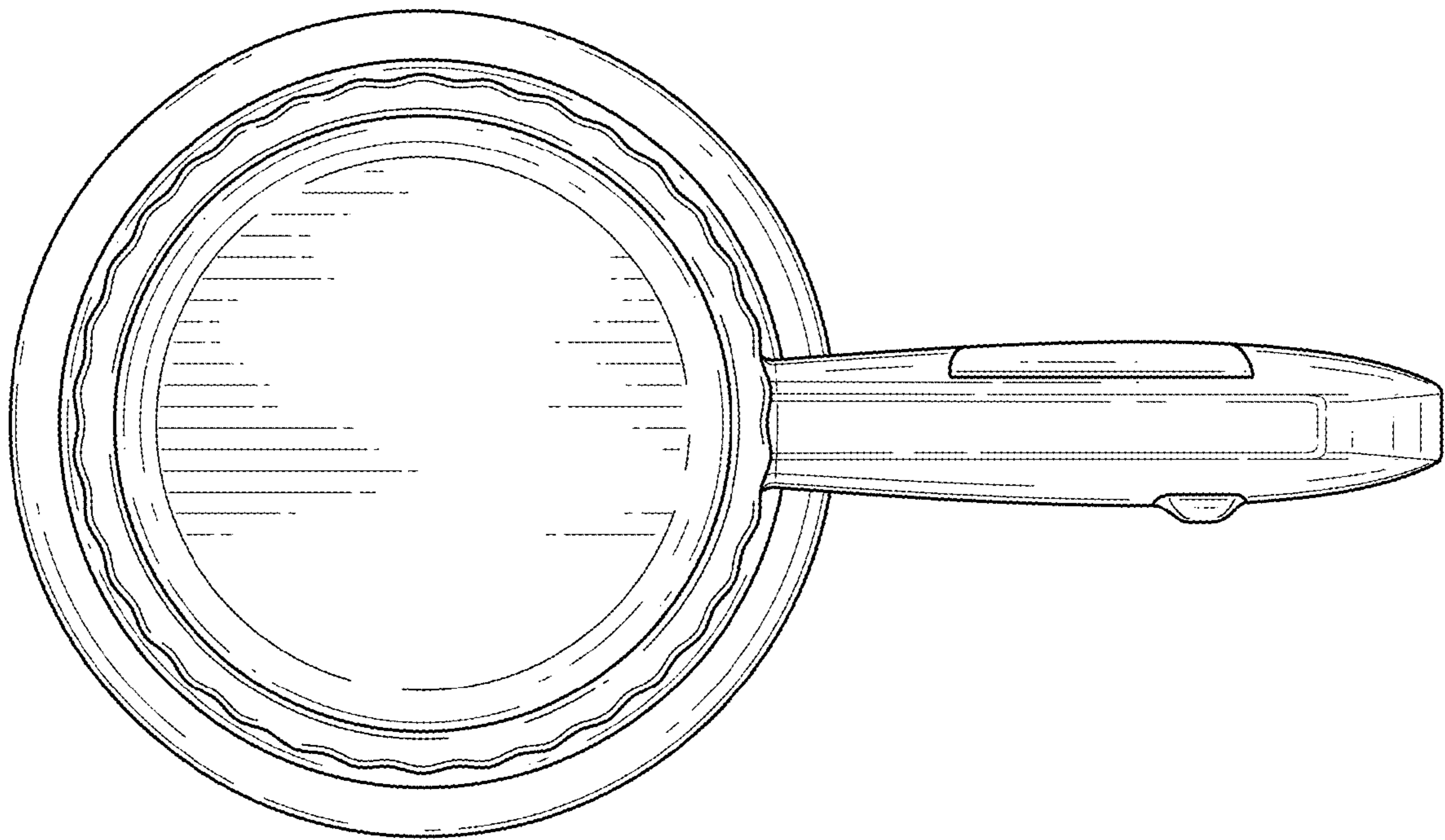


FIG. 6

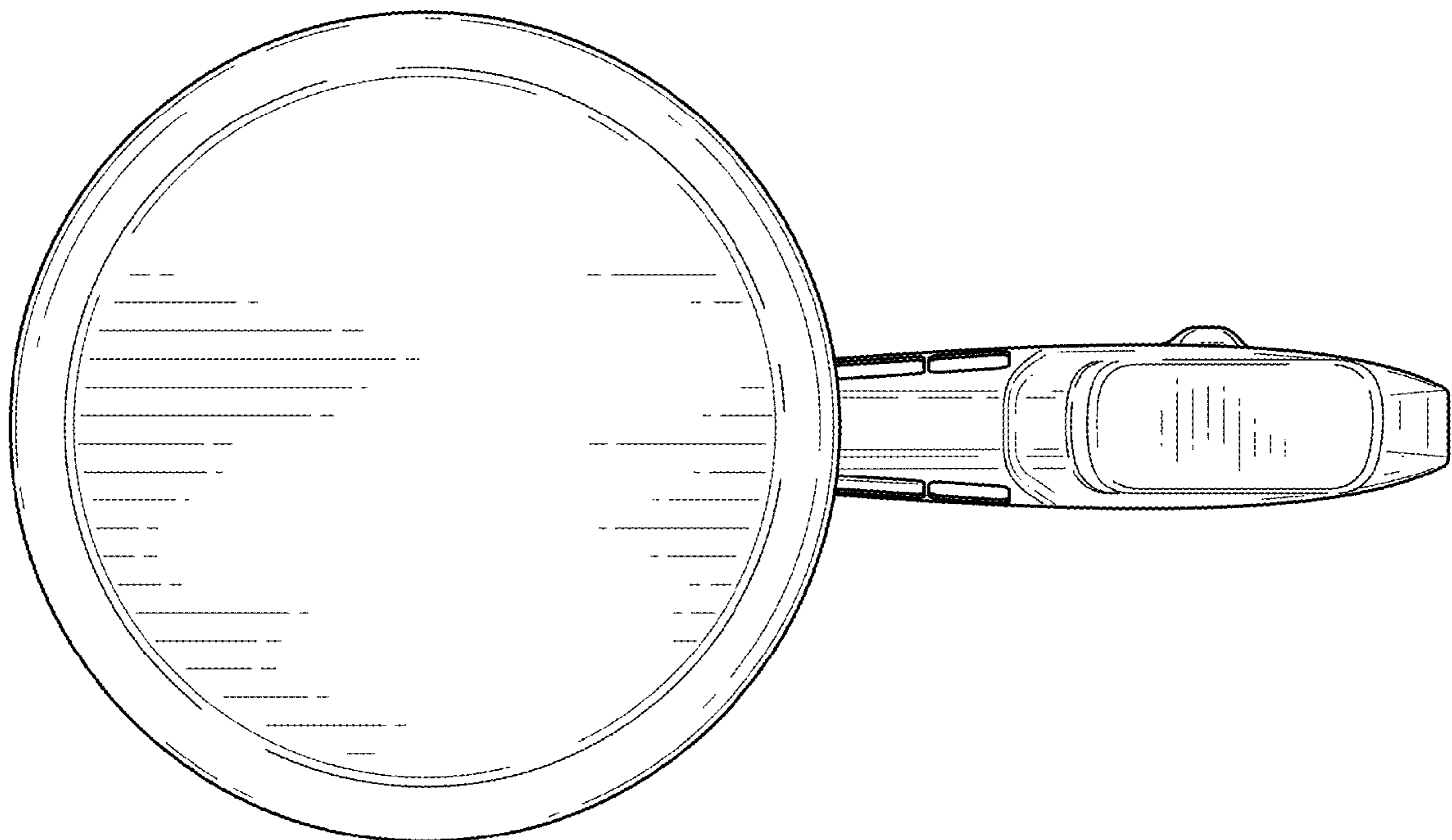


FIG. 7