



US00D871145S

(12) **United States Design Patent** (10) **Patent No.:** **US D871,145 S**
Hebert (45) **Date of Patent:** **** Dec. 31, 2019**

(54) **AMMO CAN COFFEE MUG**

(56) **References Cited**

(71) Applicant: **Eric Michael Hebert**, Harrisburg, NC (US)

U.S. PATENT DOCUMENTS

(72) Inventor: **Eric Michael Hebert**, Harrisburg, NC (US)

D375,656 S *	11/1996	Wilson	D7/514
D405,317 S *	2/1999	Ehrlich	D7/515
D459,949 S *	7/2002	Brennan	D7/515
D679,143 S *	4/2013	Wegzyn	D7/515
D720,958 S *	1/2015	Kehoe	D7/396.2
D740,608 S *	10/2015	Apel	D7/515

(73) Assignee: **Fairly Odd Treasures, LLC.**, Concord, NC (US)

* cited by examiner

(**) Term: **15 Years**

Primary Examiner — Marianne N Pandozzi

(21) Appl. No.: **29/669,759**

(57) **CLAIM**

(22) Filed: **Nov. 11, 2018**

The ornamental design for a ammo can coffee mug, as shown and described.

(51) **LOC (12) Cl.** **07-01**

DESCRIPTION

(52) **U.S. Cl.**

USPC **D7/515**; D7/533; D7/531

(58) **Field of Classification Search**

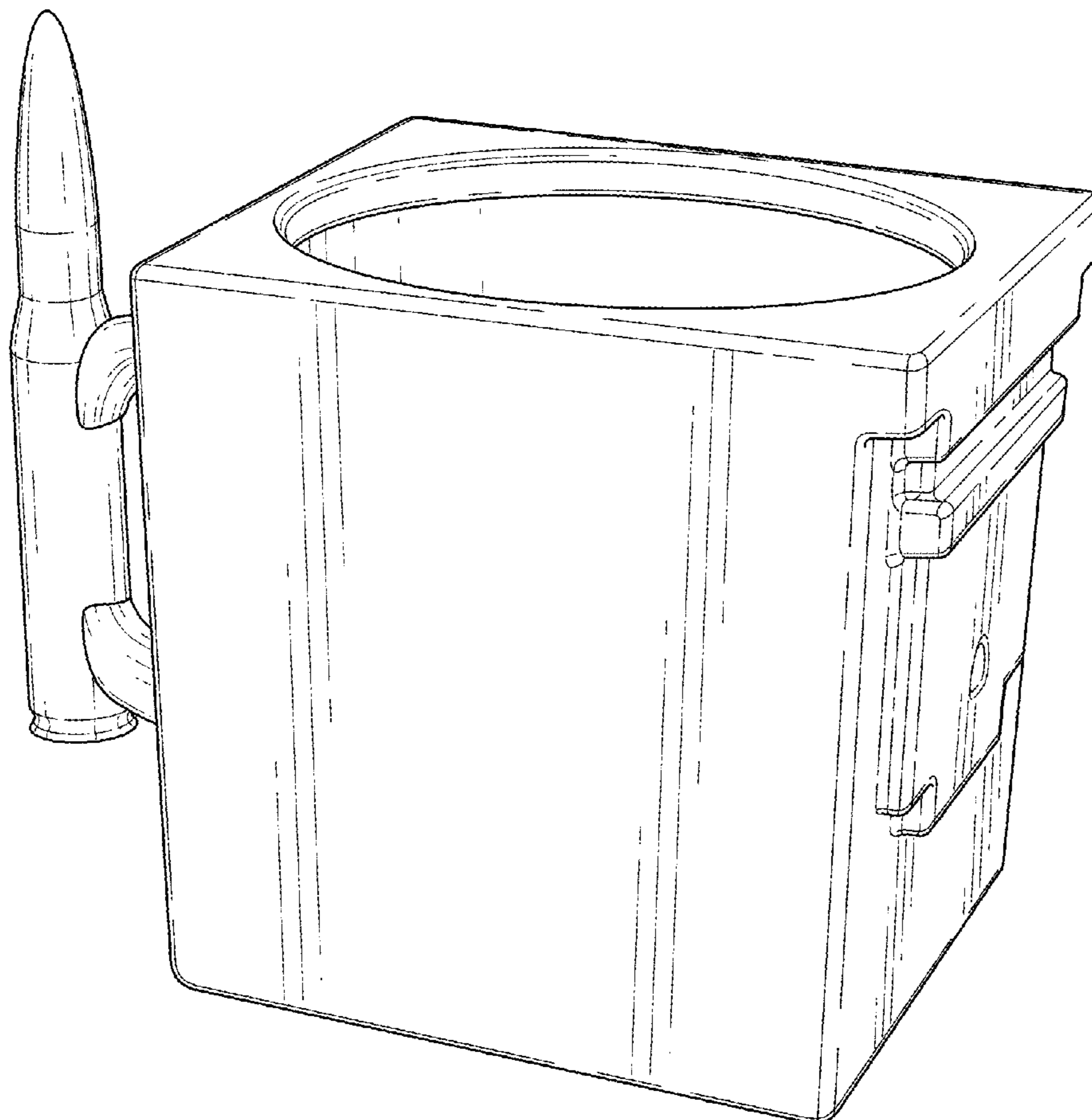
USPC D7/523, 532, 524, 509, 515, 514, D7/301-303, 300.1, 536, 533, 368, 306, D7/531, 606, 608; 220/703, 592.16, 220/592.17; 215/382, 13.1; D22/104; 42/70.06

FIG. 1 is a perspective view of a ammo can coffee mug showing my new design;
FIG. 2 is a left side view thereof;
FIG. 3 is a right side view thereof;
FIG. 4 is a rear view thereof;
FIG. 5 is a front view thereof;
FIG. 6 is a top plan view thereof; and,
FIG. 7 is a bottom plan view thereof.

CPC A47G 19/22; A47G 19/23; A47G 19/2205; A24F 3/00

See application file for complete search history.

1 Claim, 7 Drawing Sheets



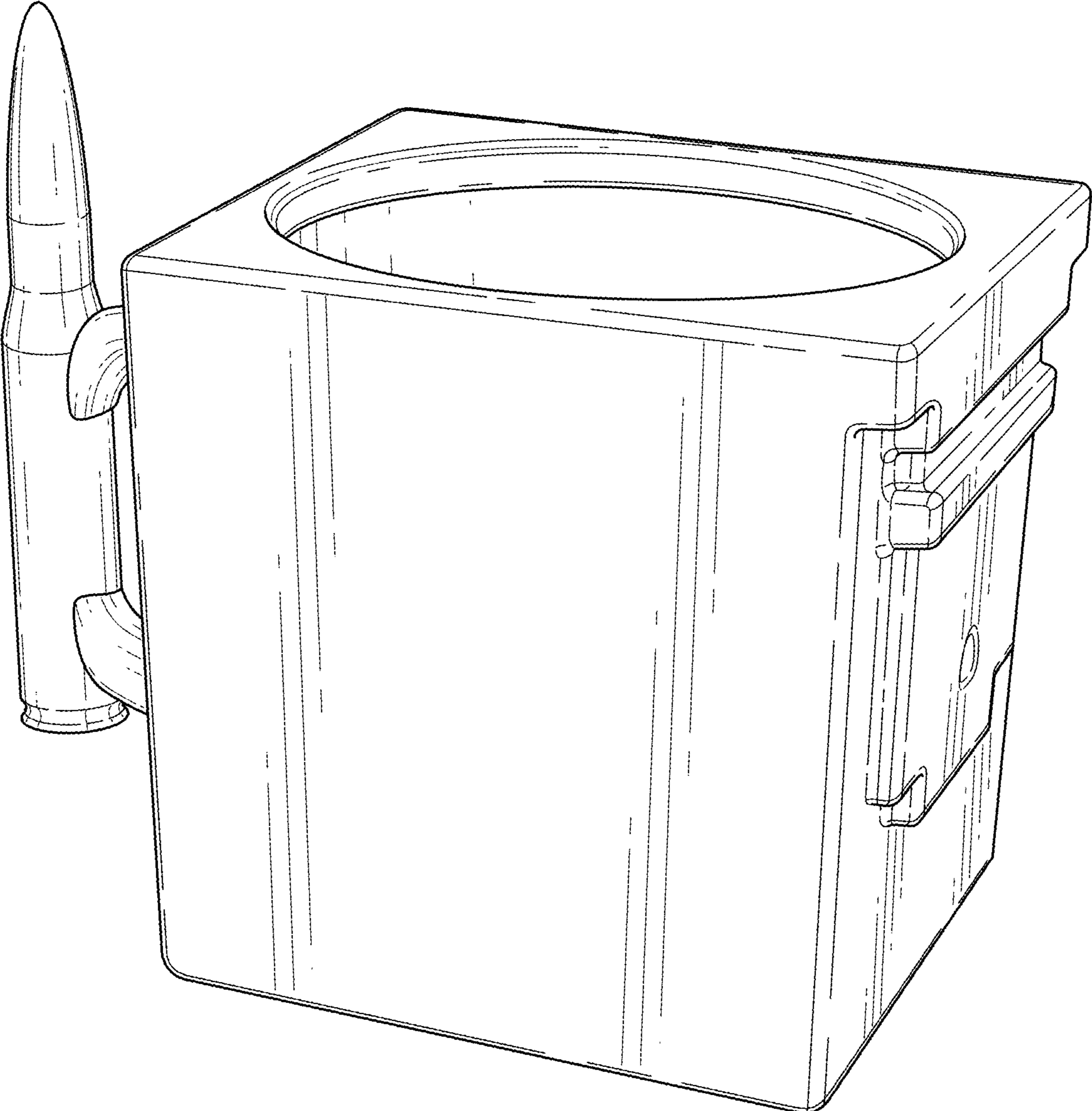


FIG. 1

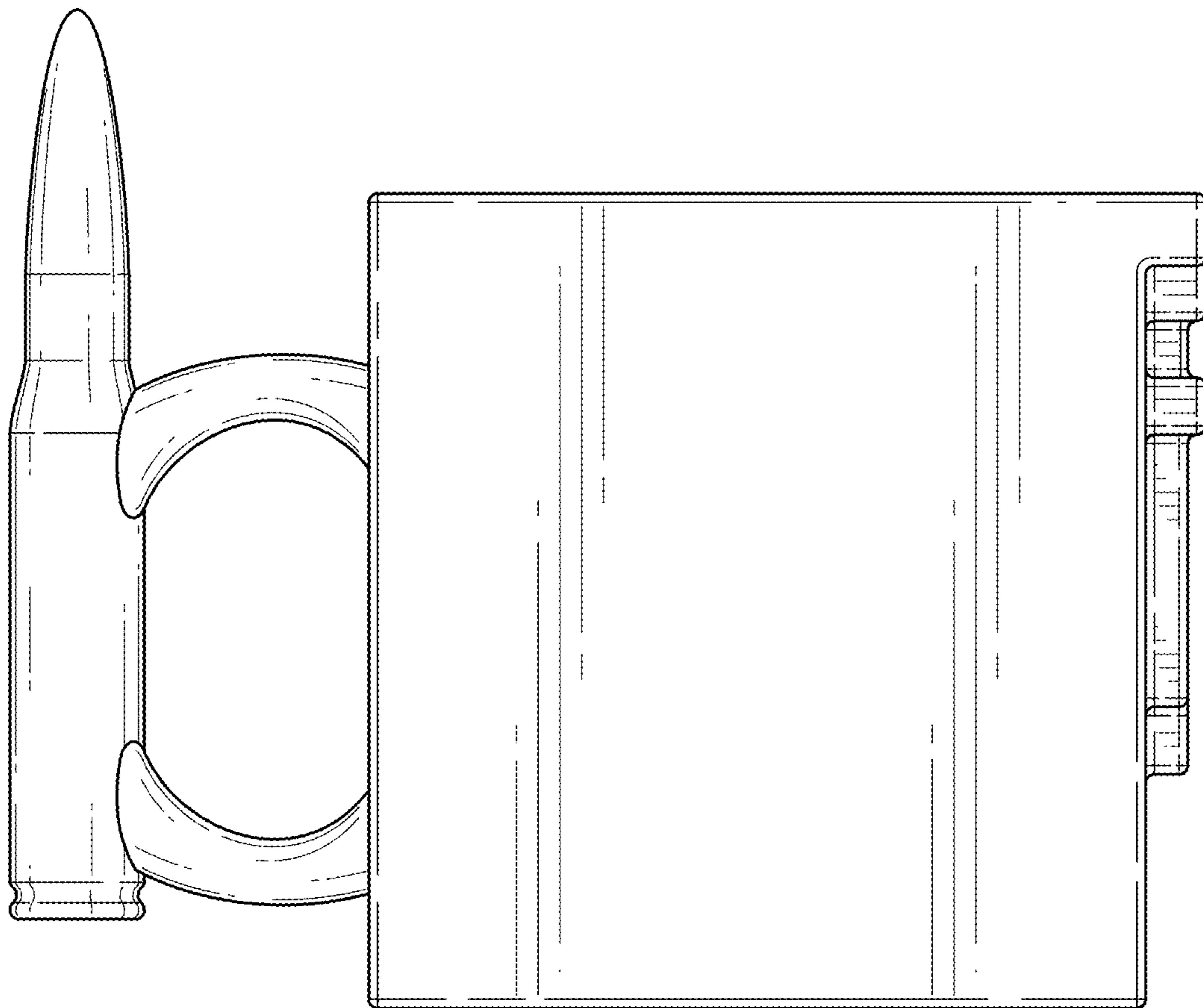


FIG. 2

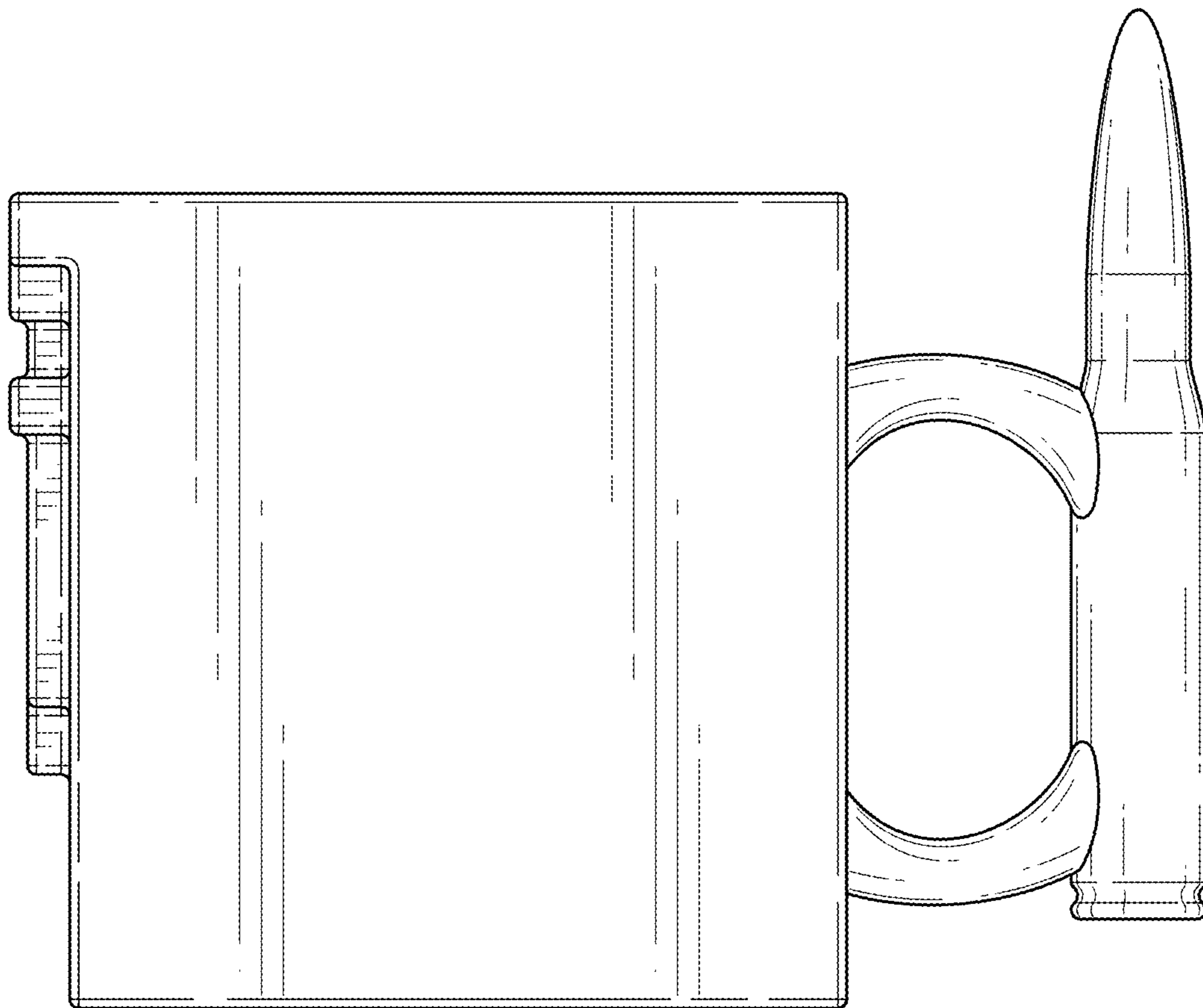


FIG. 3

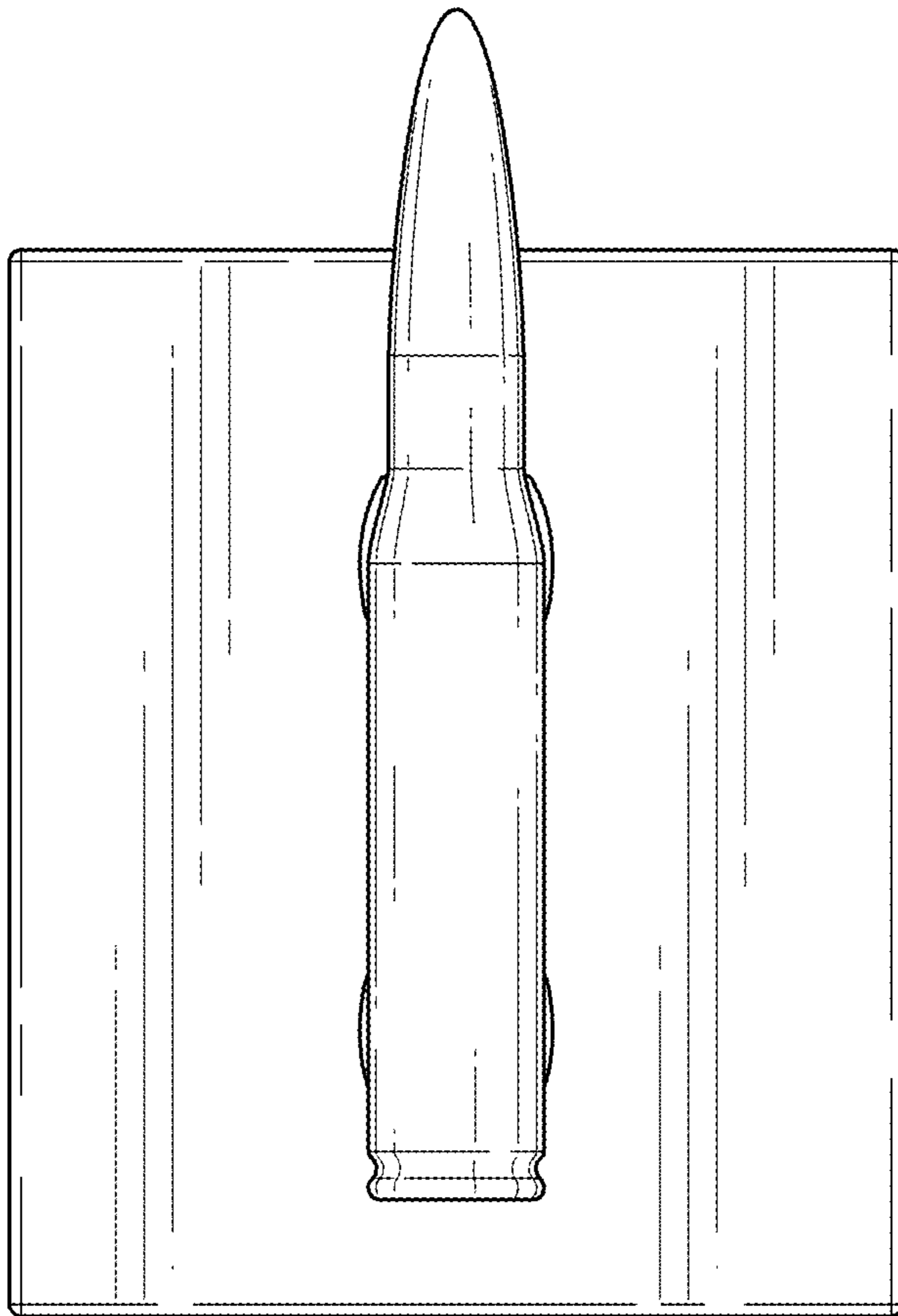


FIG. 4

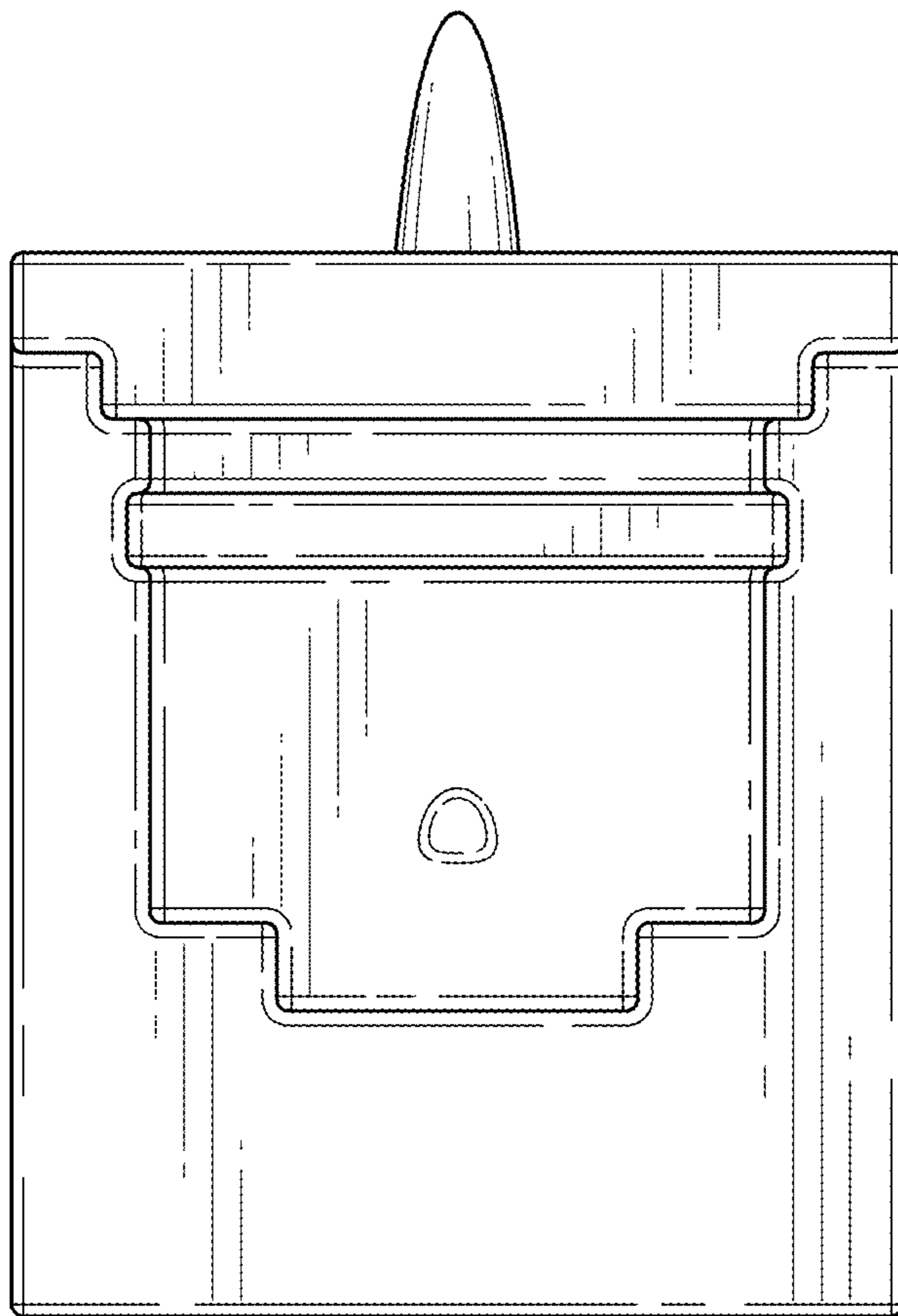


FIG. 5

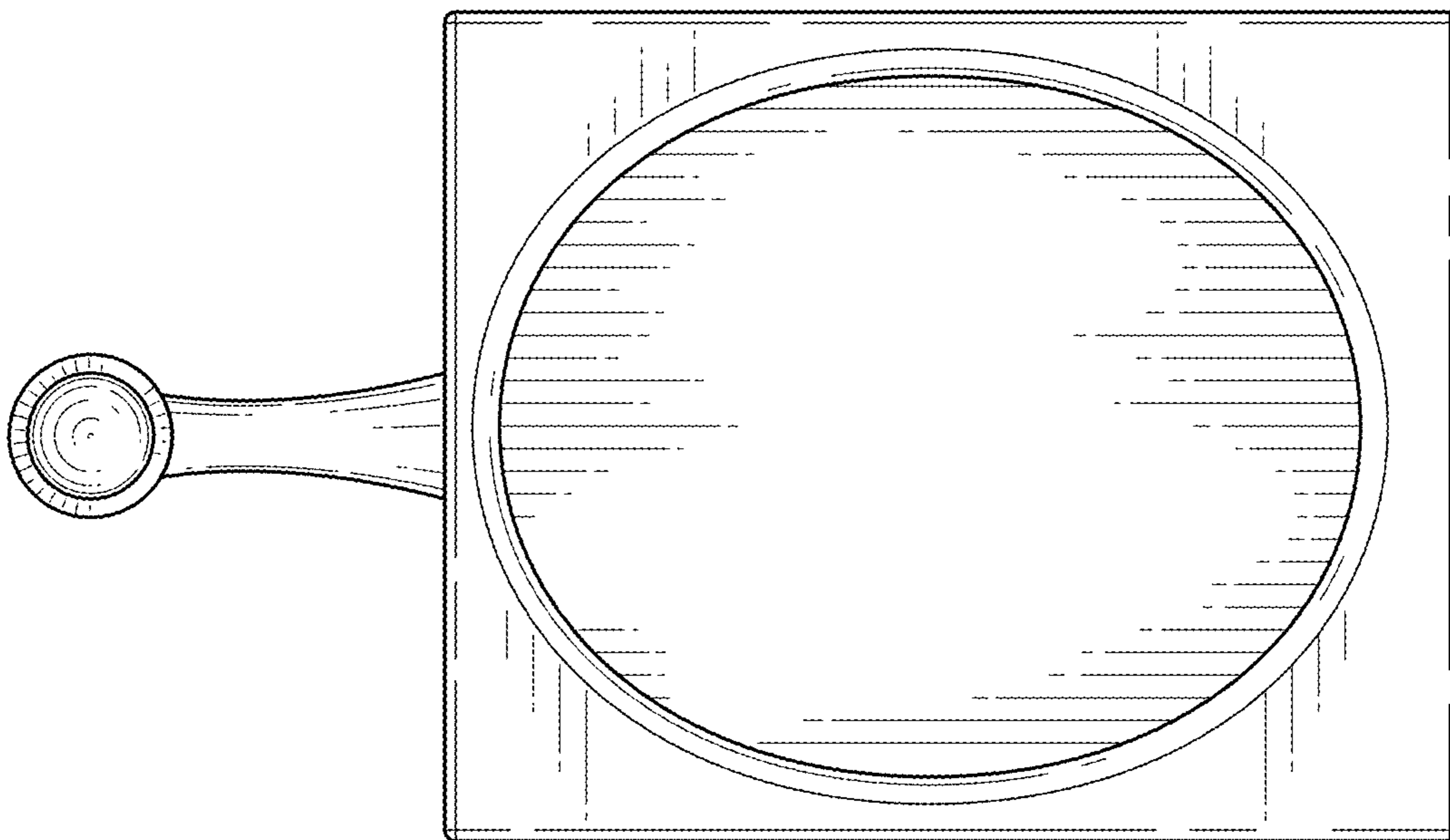


FIG. 6

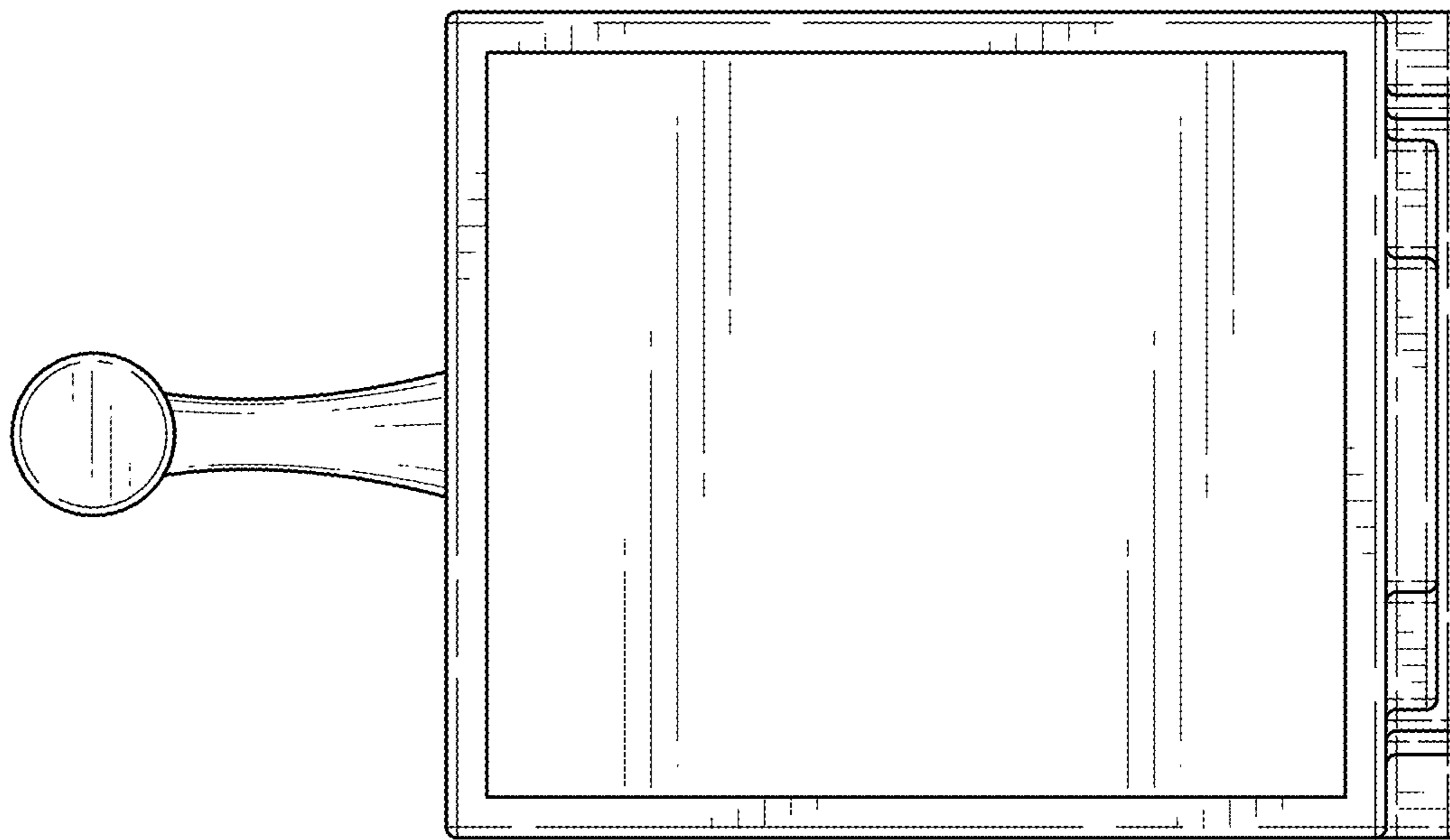


FIG. 7