



US00D871144S

(12) **United States Design Patent** (10) **Patent No.:** **US D871,144 S**
Zhang (45) **Date of Patent:** **** Dec. 31, 2019**

(54) **WATER BOTTLE WITH HANDLE STRAW LID**
(71) Applicant: **YONGKANG QIQING INDUSTRY AND TRADE CO., LTD.**, Jinhua, Zhejiang (CN)
(72) Inventor: **Bo Zhang**, Gong County (CN)
(73) Assignee: **Yongkang Qiqing Industry and Trade Co., Ltd.**, Jinhua, Zhejiang (CN)
(**) Term: **15 Years**
(21) Appl. No.: **29/684,733**

D663,209 S * 7/2012 Maas D7/510
D705,012 S * 5/2014 Lapsker D7/523
D742,174 S 11/2015 Roth et al.
D757,494 S 5/2016 Parker et al.
D757,495 S 5/2016 Parker et al.
D770,853 S * 11/2016 Gschwandtl D7/510
D781,654 S * 3/2017 Marquard D7/510
D795,009 S * 8/2017 Alprin D7/392.1
D799,268 S * 10/2017 Gschwandtl D7/509
D799,320 S * 10/2017 Goodwin D7/392.1
D810,500 S * 2/2018 Maple D7/392.1
D821,147 S 6/2018 Chung
D830,772 S * 10/2018 Rosette D7/510
D835,938 S * 12/2018 Zou D7/392.1
D836,984 S * 1/2019 Sorensen D7/510
2006/0233041 A1 * 10/2006 Schleich A47G 23/06
366/130

(22) Filed: **Mar. 22, 2019**
(51) **LOC (12) Cl.** **07-01**
(52) **U.S. Cl.**
USPC **D7/510**; D7/511; D7/536
(58) **Field of Classification Search**
USPC D7/507, 413, 509, 510, 511, 529, 530,
D7/531, 536, 300.1, 591, 584, 586, 387,
D7/361, 619.1, 602, 523, 532, 528;
D10/46.2; D9/425, 905, 503, 504, 738,
D9/547, 447, 449; 220/592.2
CPC A47G 19/22; A47G 19/2288;
A47G 19/2211; A47G 19/2222; A47G
19/2227; A47G 19/2205; A47G 19/2266;
A47G 19/12; A47J 41/02; A47J 43/27;
A47J 41/0077; A47J 41/0088; A47J
41/028; B65D 47/066; B65D 81/3869;
A45F 2003/205; A45F 3/20
See application file for complete search history.

* cited by examiner

Primary Examiner — Jae Liang
(74) *Attorney, Agent, or Firm* — Muncy, Geissler, Olds & Lowe, P.C.

(56) **References Cited**

U.S. PATENT DOCUMENTS

D185,465 S * 6/1959 Schlumbohm D7/608
D407,946 S 4/1999 Brewer et al.

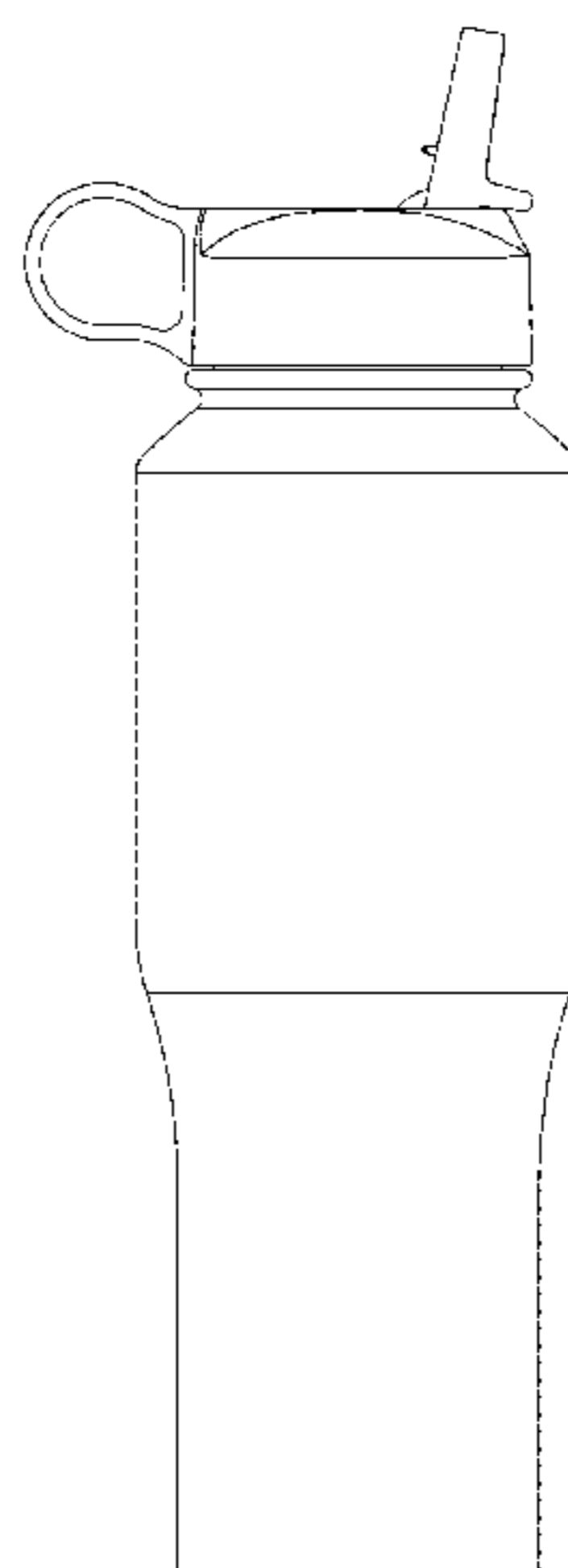
(57) **CLAIM**

The ornamental design for a water bottle with handle straw lid, as shown and described.

DESCRIPTION

FIG. 1 is a left side view of a water bottle with handle straw lid showing my new design;
FIG. 2 is a right side view thereof;
FIG. 3 is a rear side elevation view thereof;
FIG. 4 is a front side elevation view thereof;
FIG. 5 is a top elevation view thereof;
FIG. 6 is a bottom elevation view thereof; and,
FIG. 7 is an exploded perspective view thereof.
The broken lines in the figures illustrate portions of the water bottle with handle straw lid that form no part of the claimed design.

1 Claim, 7 Drawing Sheets



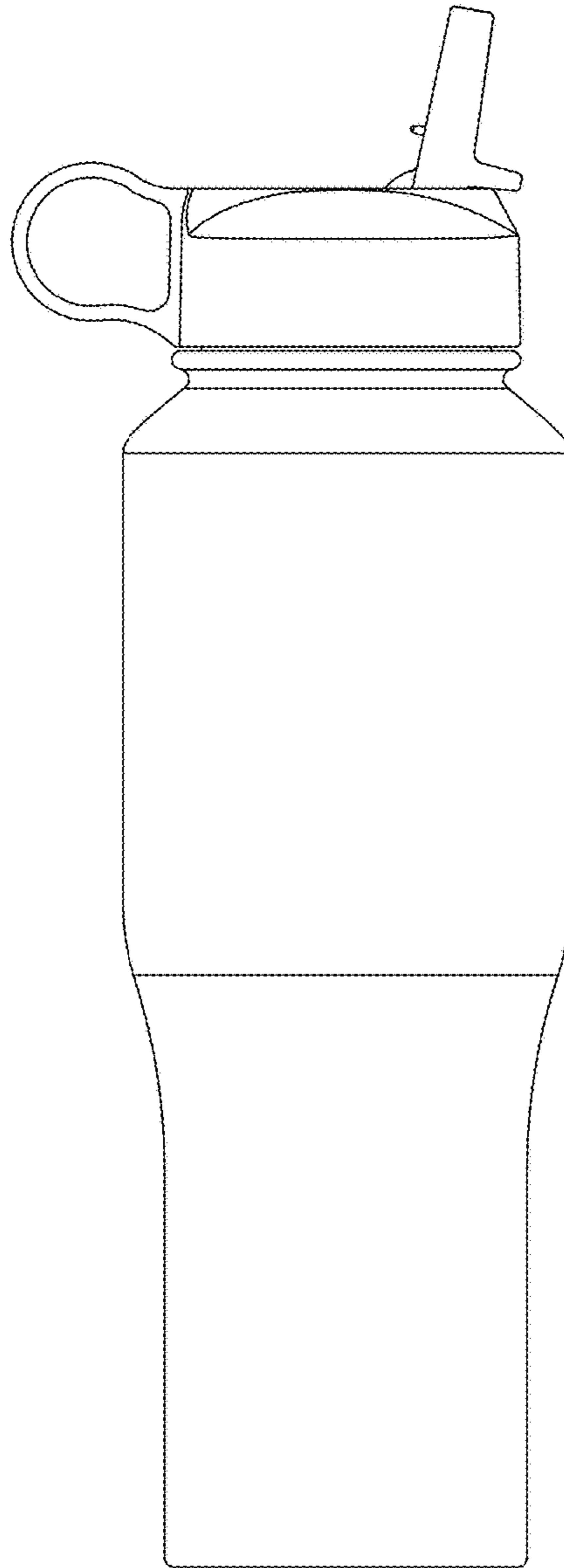


FIG. 1

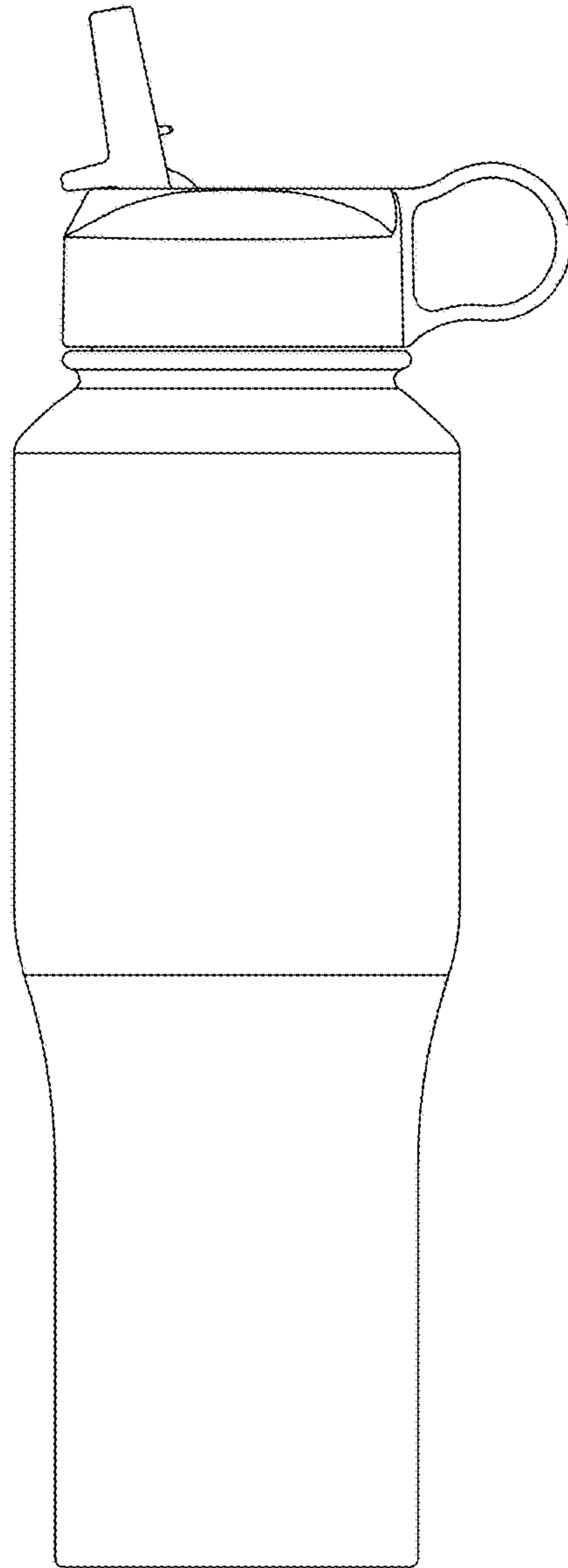


FIG. 2

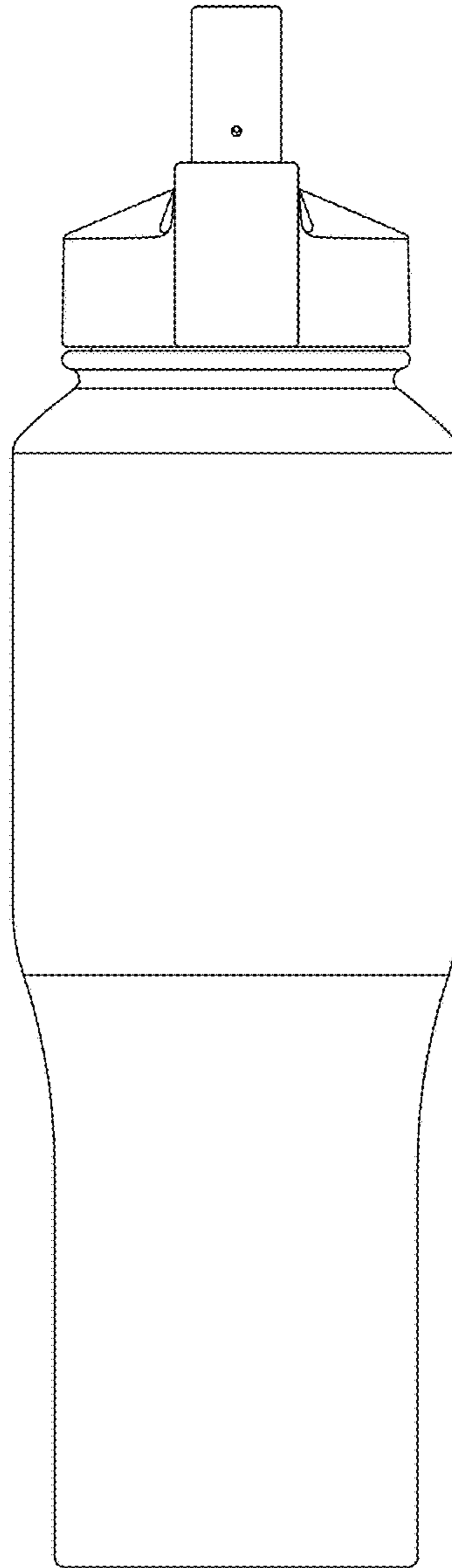


FIG. 3

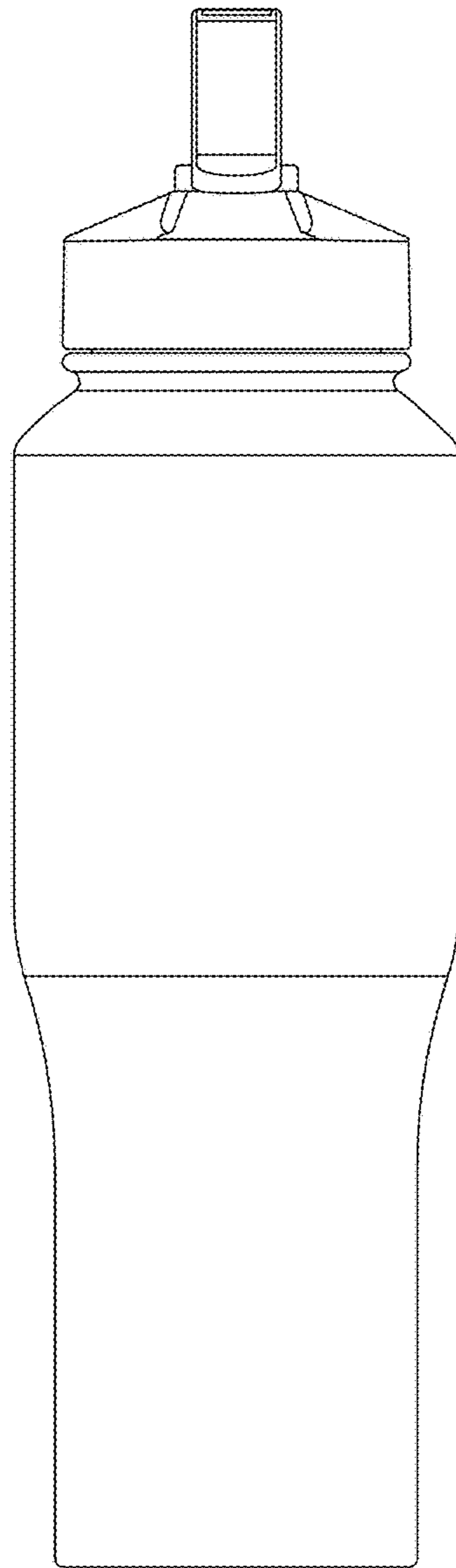


FIG. 4

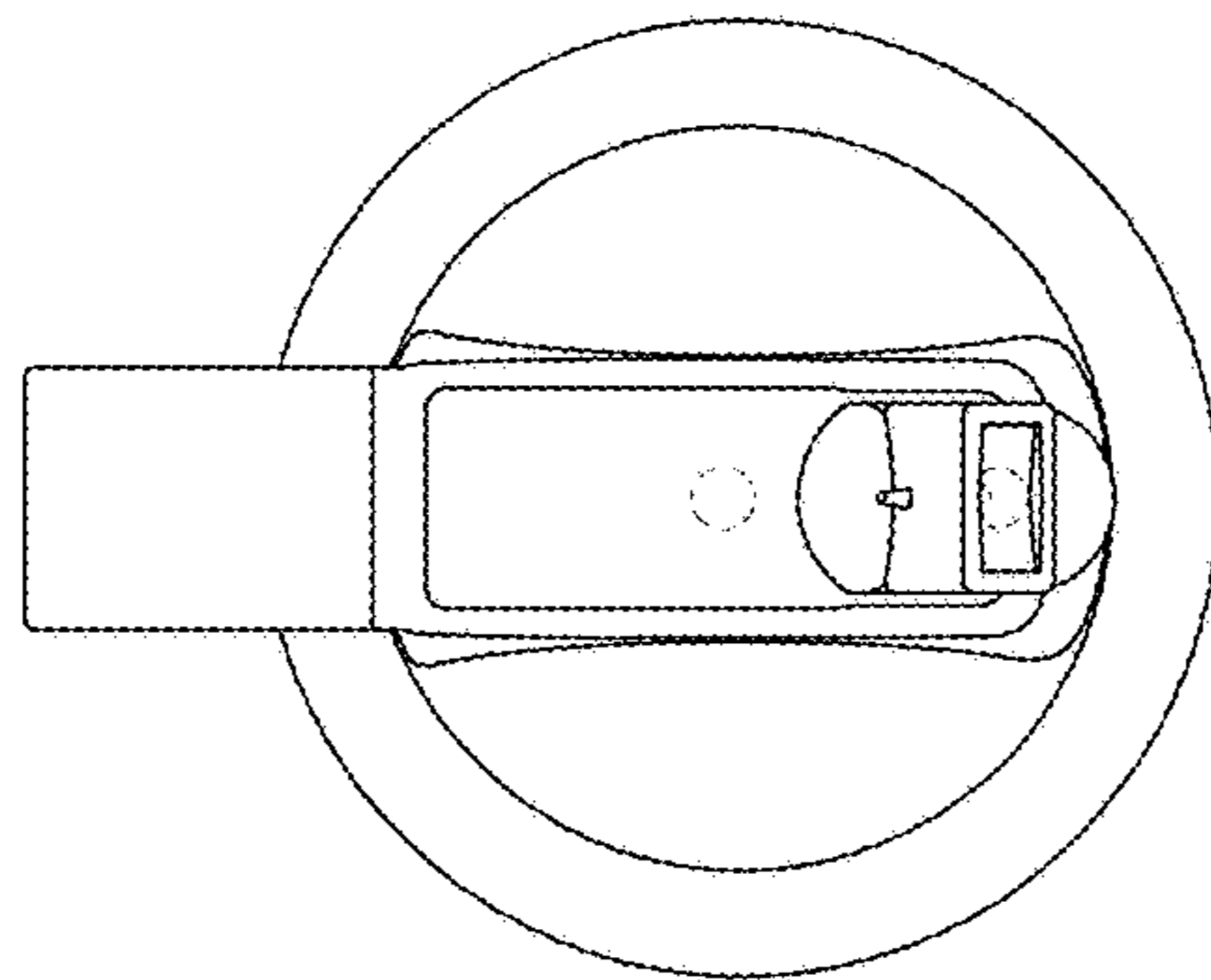


FIG. 5

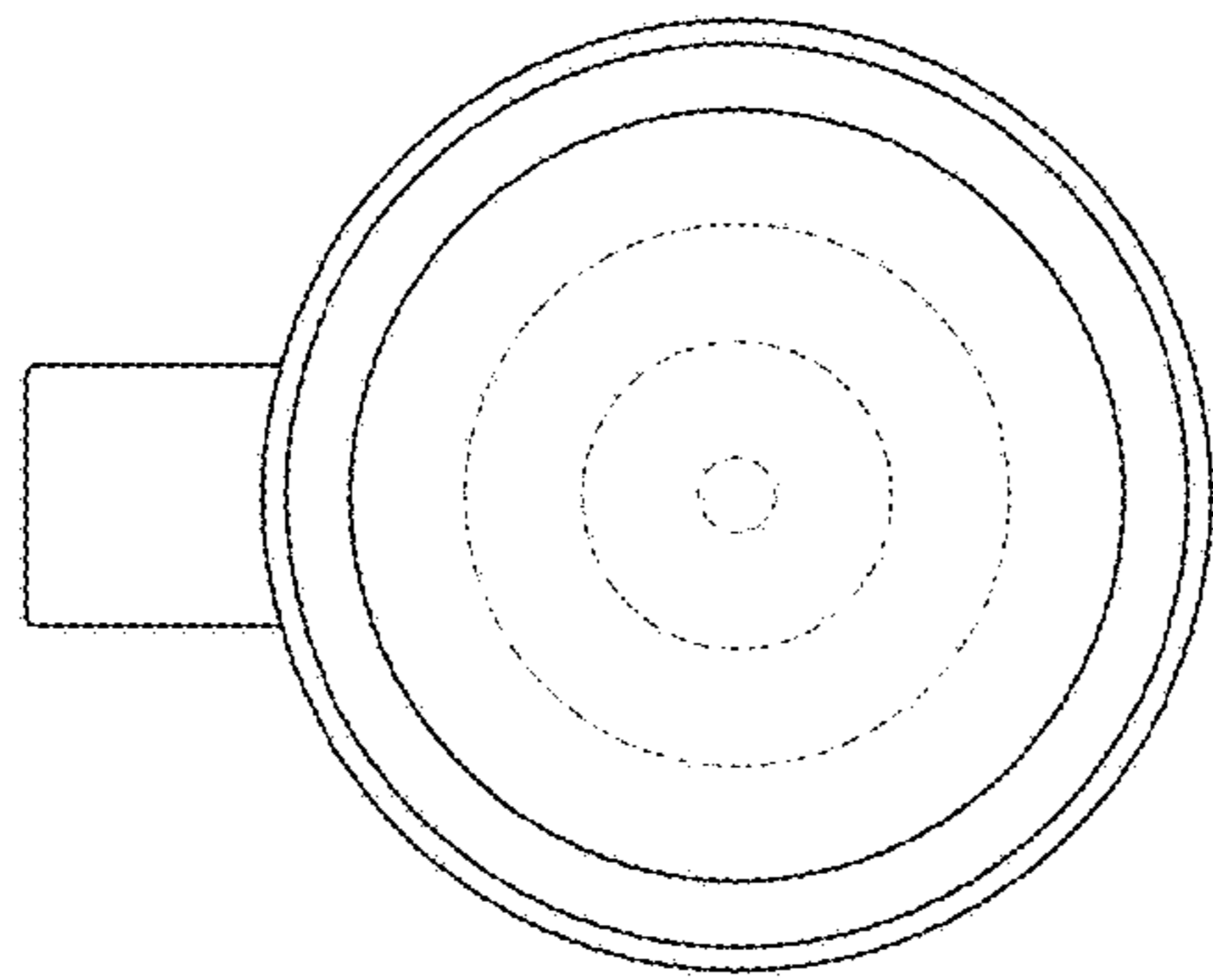


FIG. 6

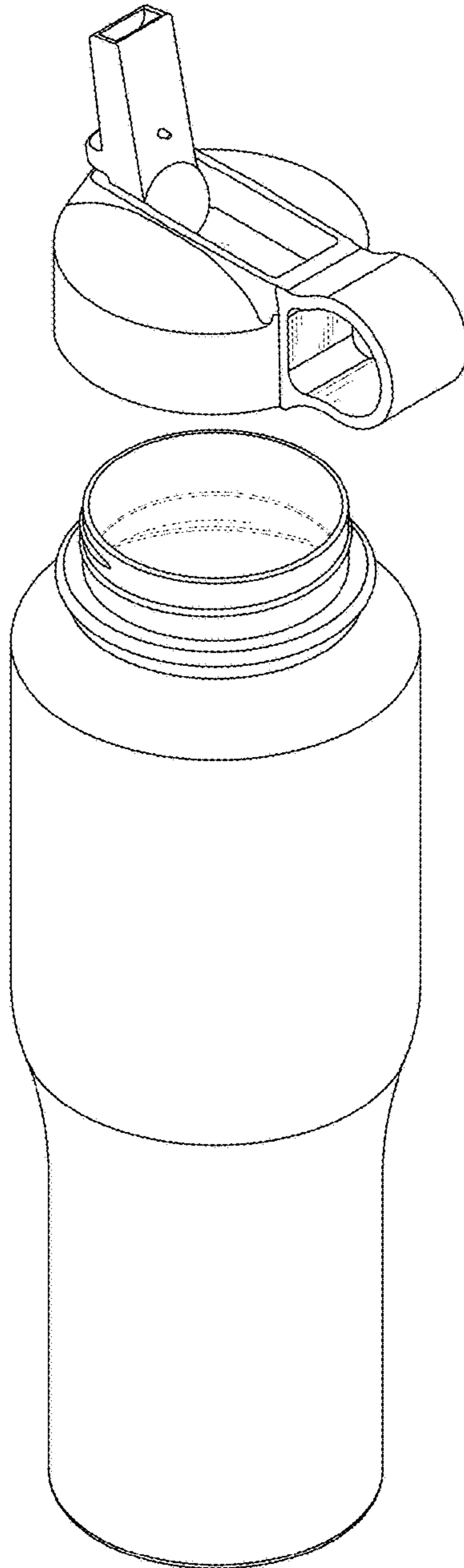


FIG. 7