



US00D871141S

(12) **United States Design Patent** (10) **Patent No.:** **US D871,141 S**  
**Brouillac** (45) **Date of Patent:** **\*\* Dec. 31, 2019**

(54) **FLANGE FOR SPICE MILL**

(71) Applicant: **PEUGEOT SAVEURS**, Quingey (FR)

(72) Inventor: **Nicolas Brouillac**, Saint Vit (FR)

(73) Assignee: **PEUGEOT SAVEURS**, Quingey (FR)

(\*\*) Term: **15 Years**

(21) Appl. No.: **35/506,148**

(22) Filed: **Jul. 26, 2018**

(80) **Hague Agreement Data**

Int. Filing Date: **Jul. 26, 2018**

Int. Reg. No.: **DM/103784**

Int. Reg. Date: **Jul. 26, 2018**

Int. Reg. Pub. Date: **Nov. 30, 2018**

(51) **LOC (12) Cl.** ..... **07-02**

(52) **U.S. Cl.**  
USPC ..... **D7/412; D7/679**

(58) **Field of Classification Search**  
USPC ..... D12/372, 376-387, 402, 412-413, 602,  
D12/629, 665-666, 669, 679, 693-694;  
D15/138  
CPC .... A21C 1/02; A21C 1/04; A23N 1/00; A23N  
1/02; A47J 43/04; A47J 43/25; A47J  
43/27; A47J 43/042; A47J 43/044; A47J  
43/046; A47J 43/0465; A47J 43/075;  
A47J 43/0705; A47J 43/0722; A47J  
43/0727; A47J 43/1025; B01D 29/035;  
B01F 3/00; B01F 3/0807; B01F 3/0853;  
B01F 7/0025; B01F 7/00175; B01F  
13/0059; B01F 13/0064; B02C 1/08;  
B02C 2/04; B02C 4/42; B02C 4/142;  
B02C 4/143; B02C 4/423; B02C 13/1835;  
B28C 5/10; B28C 5/12; B28C 5/14;  
B28C 5/16

See application file for complete search history.

(56) **References Cited**

U.S. PATENT DOCUMENTS

401,306	A *	4/1889	Schock et al. ....	A47J 43/1025 366/284
2,702,571	A *	2/1955	Murray .....	A47J 43/0465 241/294
3,333,831	A *	8/1967	Chapman .....	B01F 7/0025 366/129
4,260,267	A *	4/1981	Walton .....	B01F 7/00475 366/129
4,844,355	A *	7/1989	Kemp, Jr. ....	B01F 7/00175 241/172
D328,905	S *	8/1992	Triano .....	D15/138
5,160,041	A *	11/1992	Taniguchi .....	B01D 29/035 210/205
D399,091	S *	10/1998	Rubin .....	D7/376
D576,186	S *	9/2008	Rosso .....	D15/138
D618,056	S *	6/2010	Sly .....	D7/376
D690,159	S *	9/2013	Gursel .....	D7/376
D813,602	S *	3/2018	Dong .....	D7/412

\* cited by examiner

*Primary Examiner* — Darlington Ly

(74) *Attorney, Agent, or Firm* — Craft Chu PLLC;  
Andrew W. Chu

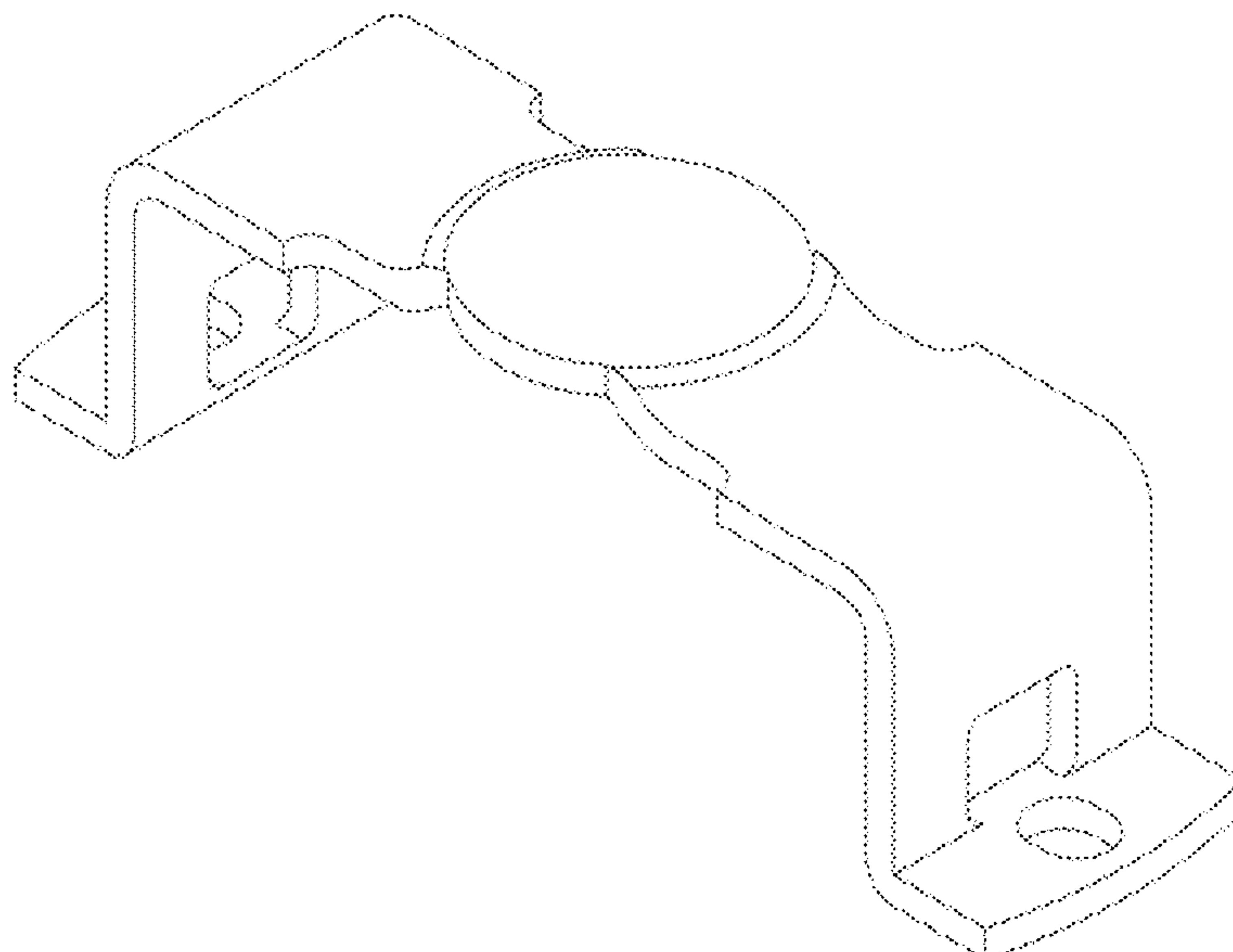
(57) **CLAIM**

The ornamental design for a flange for spice mill, as shown and described.

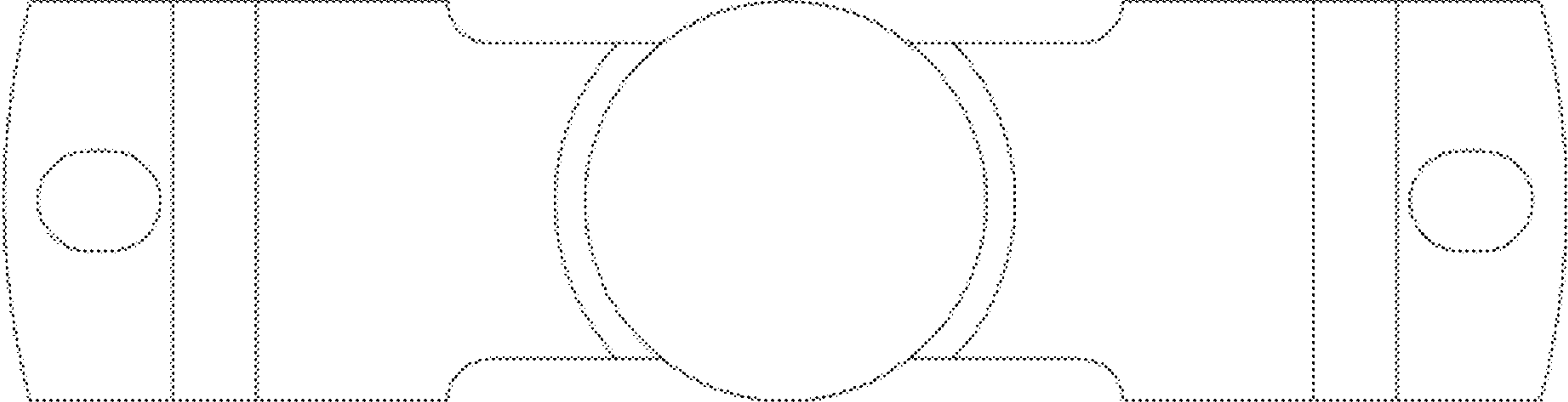
**DESCRIPTION**

1. Flange for spice mill
- 1.1** is a top plan view of a flange for spice mill showing my new design;
- 1.2** is a front elevation view thereof;
- 1.3** is a top perspective view thereof; and
- 1.4** is a side elevation view thereof.

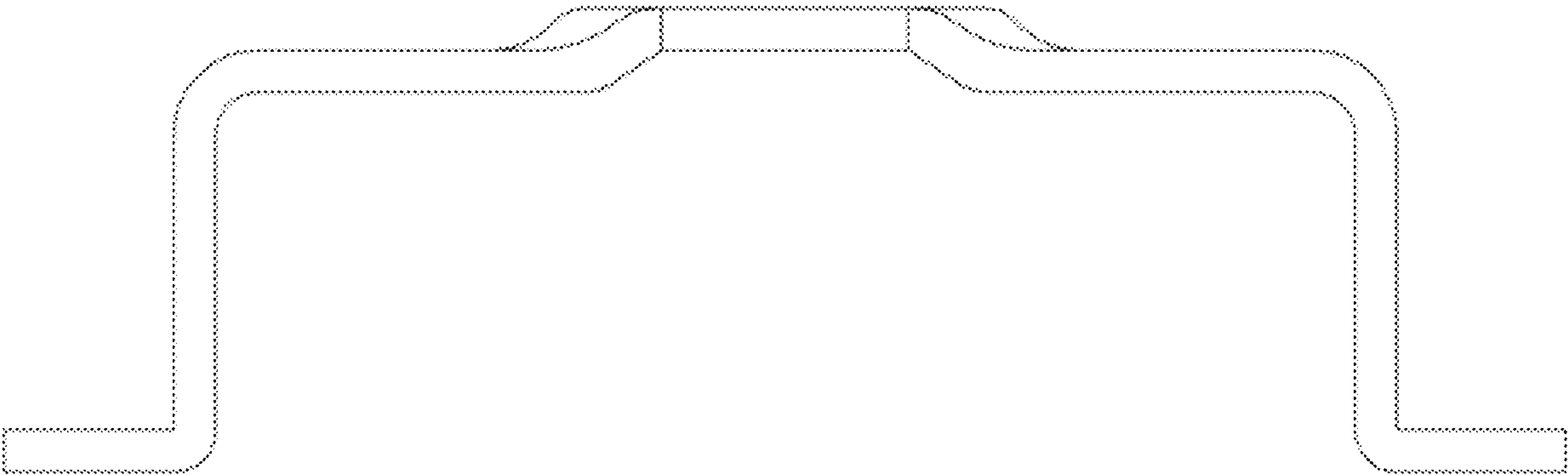
**1 Claim, 4 Drawing Sheets**



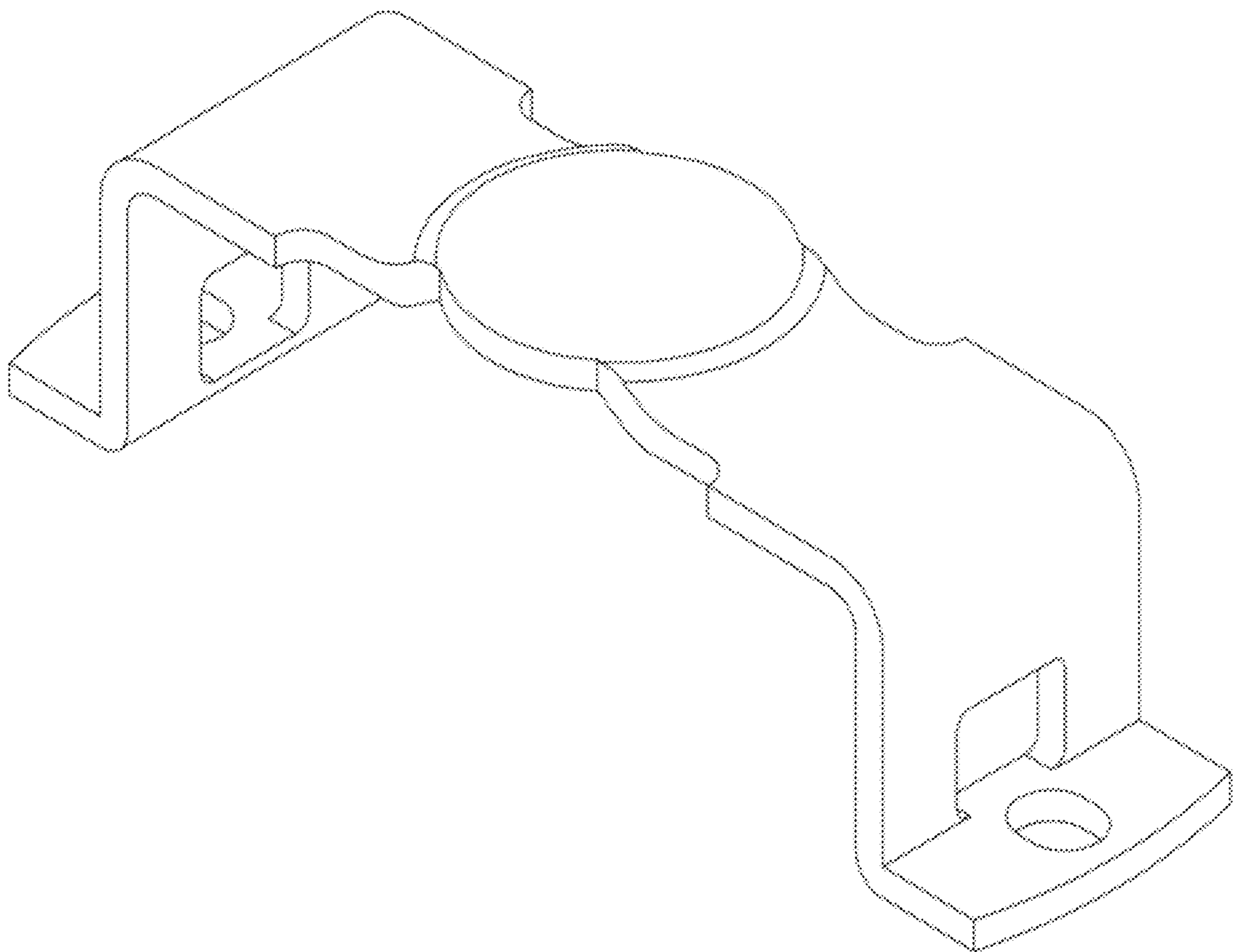
**1.1**



1.2



1.3



1.4

