



US00D871138S

(12) **United States Design Patent** (10) **Patent No.:** **US D871,138 S**
Audet (45) **Date of Patent:** **** Dec. 31, 2019**

(54) **ADJUSTABLE FLAME FONDUE BURNER**

D679,943 S * 4/2013 Zhou D7/402
D689,738 S * 9/2013 Hobbs D7/402
D717,095 S * 11/2014 Chung D7/334

(71) Applicant: **SNV Creations Inc.**, St-Bruno (CA)

* cited by examiner

(72) Inventor: **Steven Audet**, St-Bruno (CA)

Primary Examiner — Sheryl Lane

(73) Assignee: **EDGE DESIGN GLOBAL ENTERPRISES INC.**, Zhejiang (CN)

Assistant Examiner — Nicole C Shiflet

(74) *Attorney, Agent, or Firm* — Law Office of Gerard F. Dunne; Gerard F. Dunne

(**) Term: **15 Years**

(57) **CLAIM**

(21) Appl. No.: **29/600,651**

I claim the ornamental design for an adjustable flame fondue burner, as shown and described.

(22) Filed: **Apr. 13, 2017**

DESCRIPTION

(51) **LOC (12) Cl.** **07-02**

(52) **U.S. Cl.**

USPC **D7/407**

(58) **Field of Classification Search**

USPC D7/332–337, 339–341, 346–349,
D7/354–356, 362, 363, 366, 367, 396.1,
D7/402–407

CPC F23D 14/00; F23D 14/02; F23D 14/04;
F24C 3/08; H05B 2213/07; H05B 3/68

See application file for complete search history.

FIG. 1 is a perspective view of the adjustable flame fondue burner, the broken lines showing portions of a fondue pot that form no part of the claimed design.

FIG. 2 is a top view of the adjustable flame fondue burner. FIG. 3 is a bottom view of the adjustable flame fondue burner, the broken lines showing portions of the article that form no part of the claimed design and with the portions of the fondue pot shown in broken lines in other figures being removed.

FIG. 4 is a right side view of the adjustable flame fondue burner, the broken lines showing portions of a fondue pot that form no part of the claimed design, and the left side being a mirror image.

FIG. 5 is a front view of the adjustable flame fondue burner, the broken lines showing portions of a fondue pot that form no part of the claimed design; and, FIG. 6 is a back view of the adjustable flame fondue burner, the broken lines showing portions of a fondue pot that form no part of the claimed design.

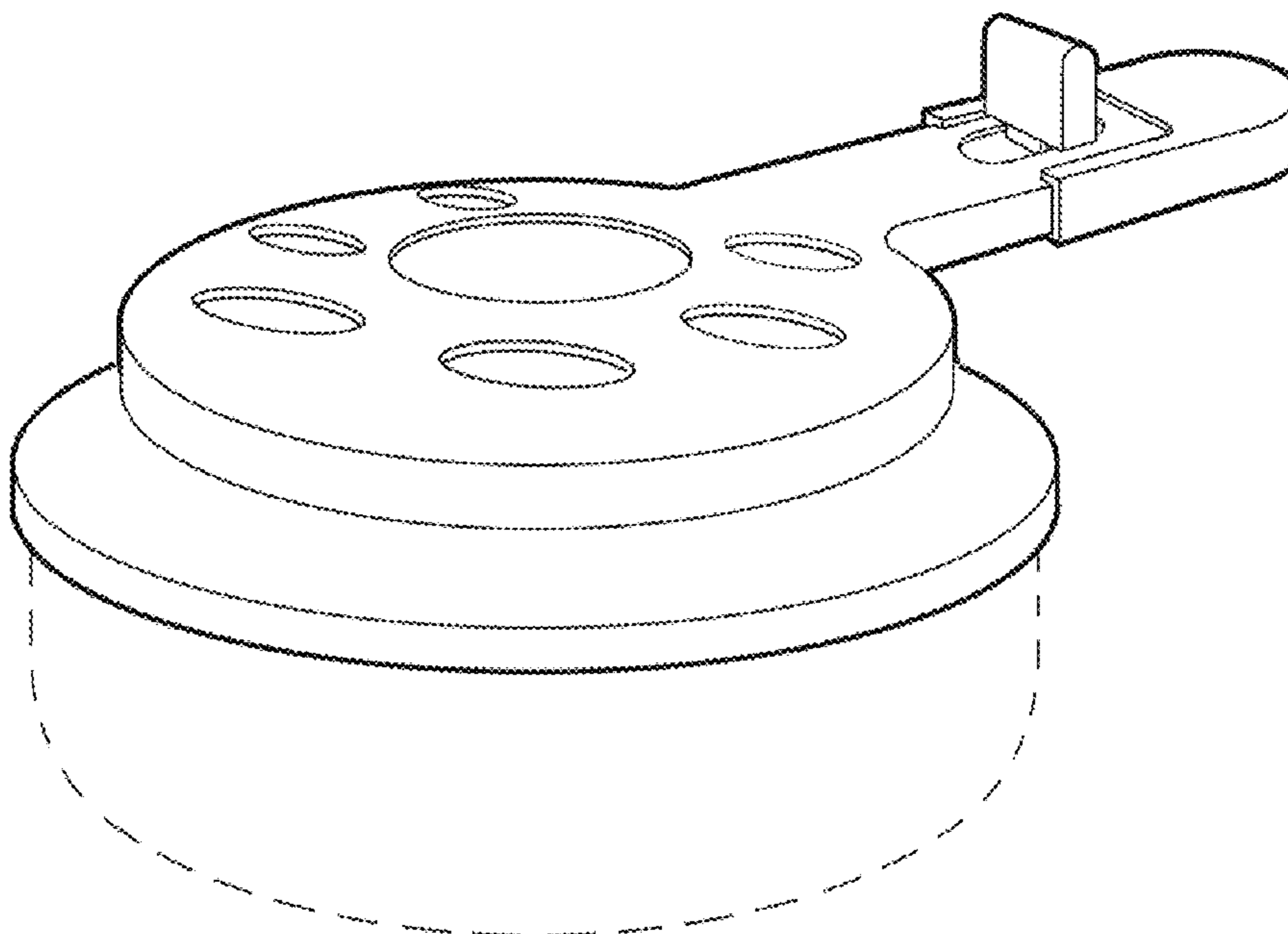
The broken lines showing portions of the article and environment form no part of the claimed design.

(56) **References Cited**

U.S. PATENT DOCUMENTS

D216,409 S	*	12/1969	Porciani	D7/355
D264,341 S	*	5/1982	Williams	D7/403
D318,976 S	*	8/1991	Thurlow	D7/355
D325,315 S	*	4/1992	Parent	D7/334
D365,724 S	*	1/1996	Yu	D7/355
D409,436 S	*	5/1999	Smith	D7/334
D414,374 S	*	9/1999	Ting	D7/334
D420,242 S	*	2/2000	Chiang	D7/332
D447,665 S	*	9/2001	Jorgensen	D7/355
D677,987 S	*	3/2013	High	D7/402

1 Claim, 5 Drawing Sheets



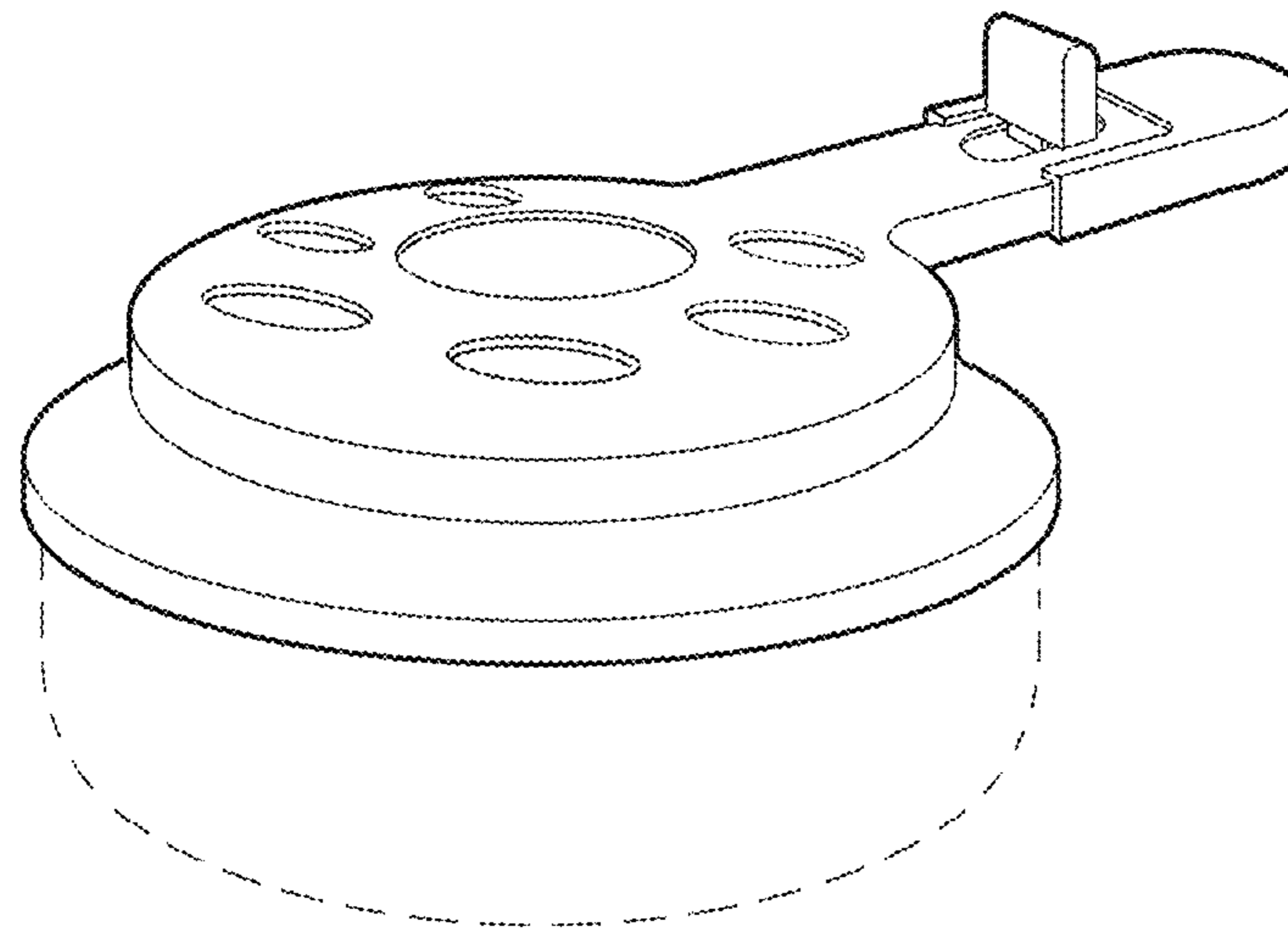


fig 1

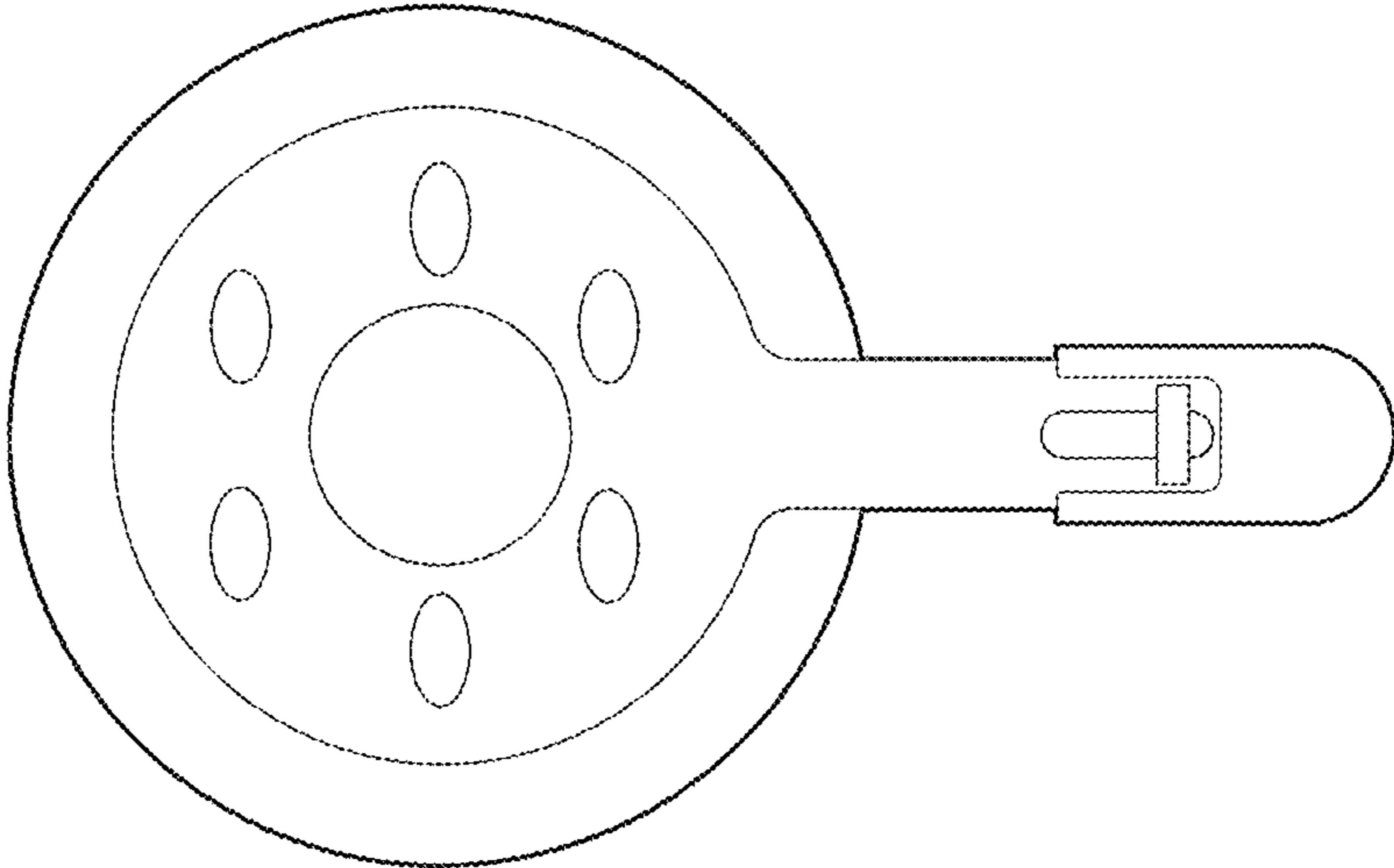


fig 2

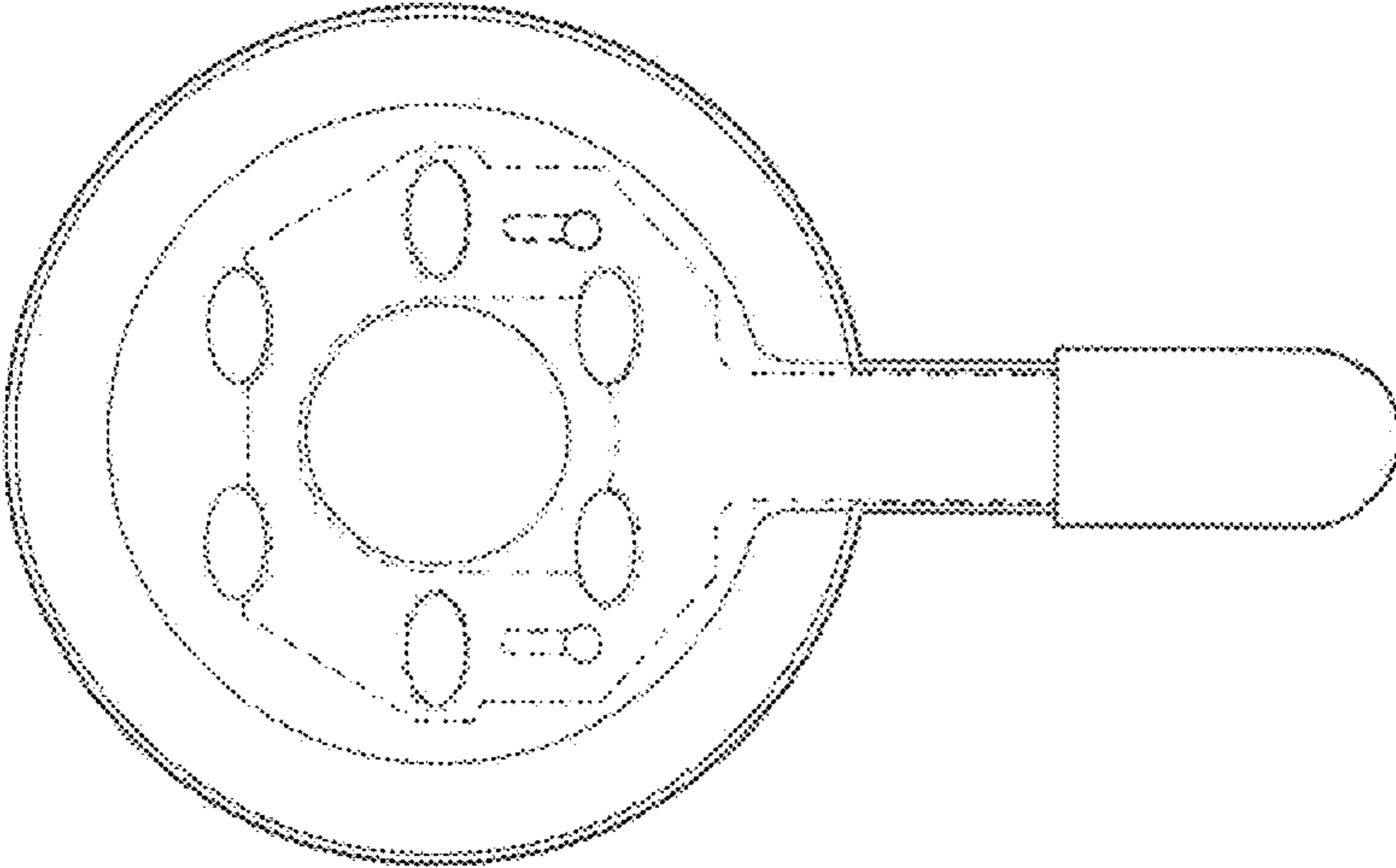


fig 3

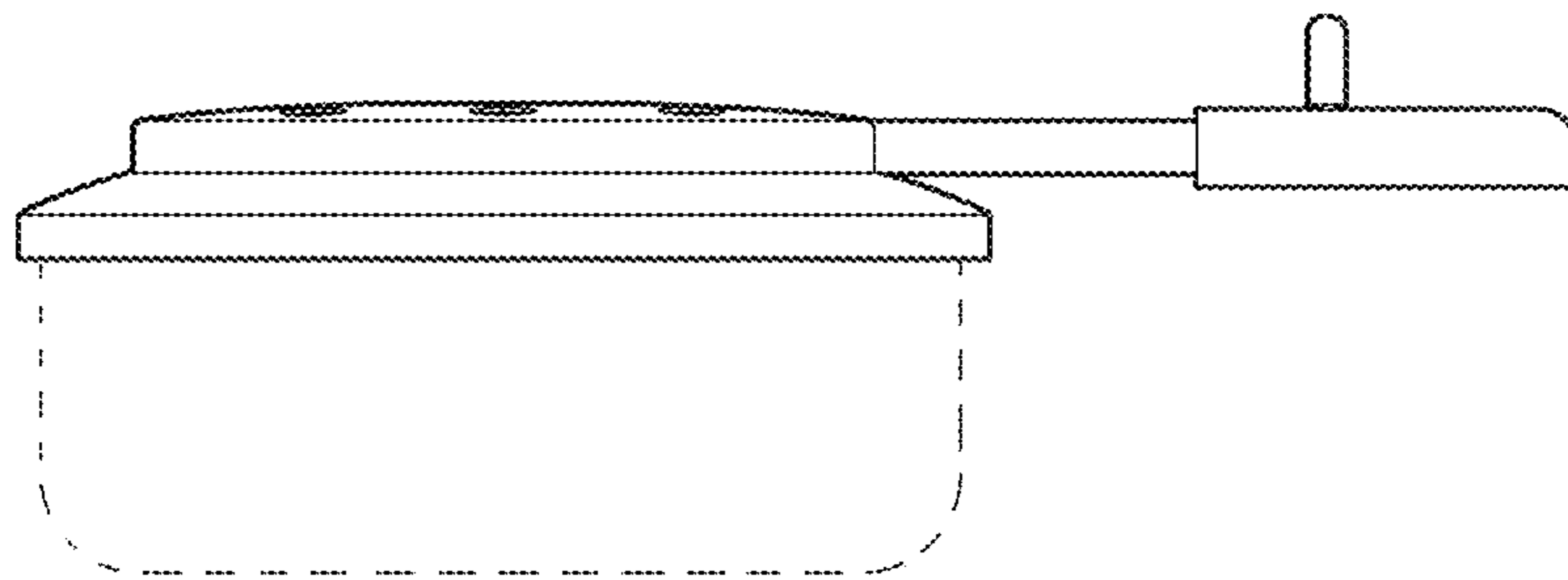


fig 4

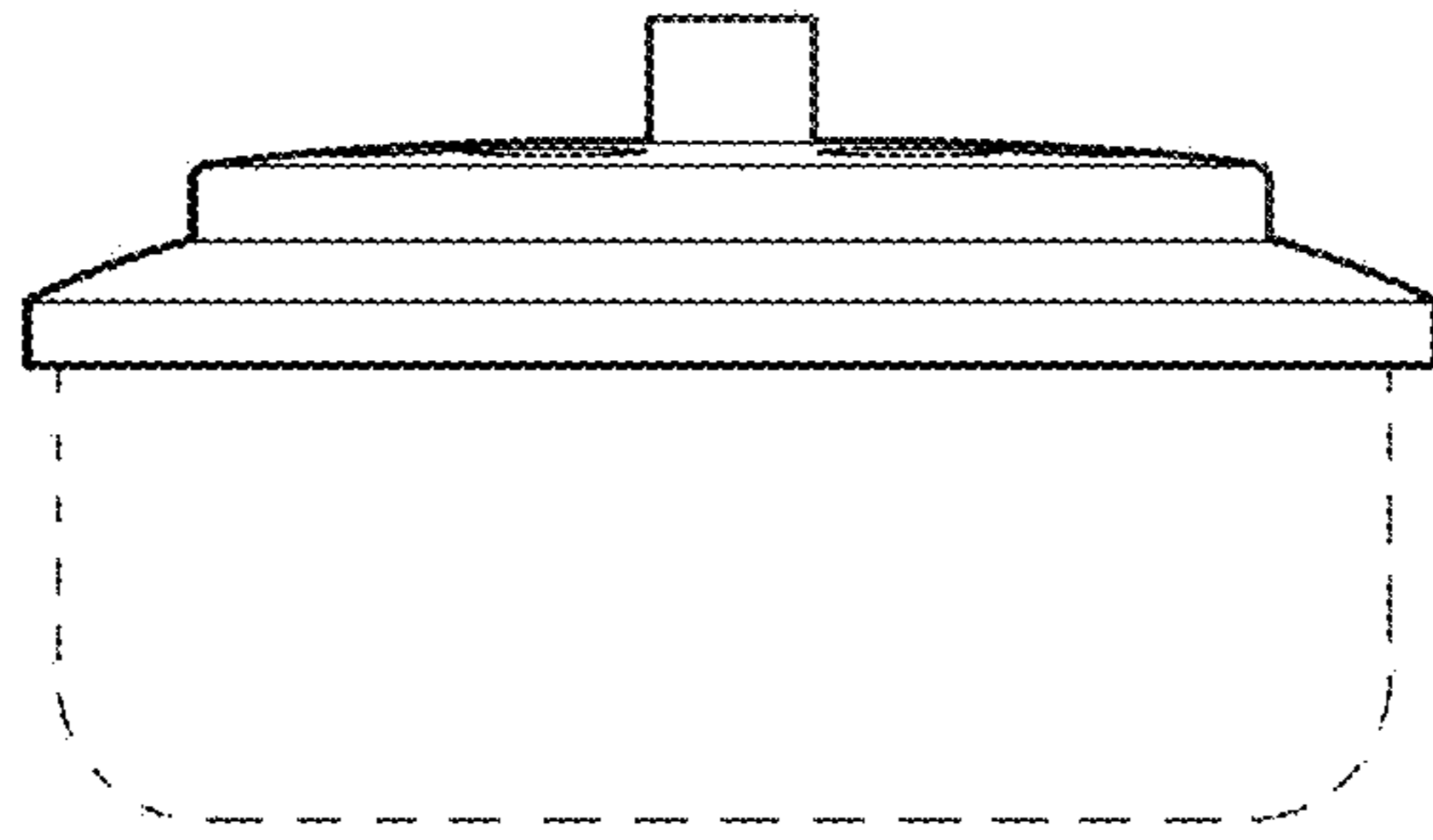


fig 5

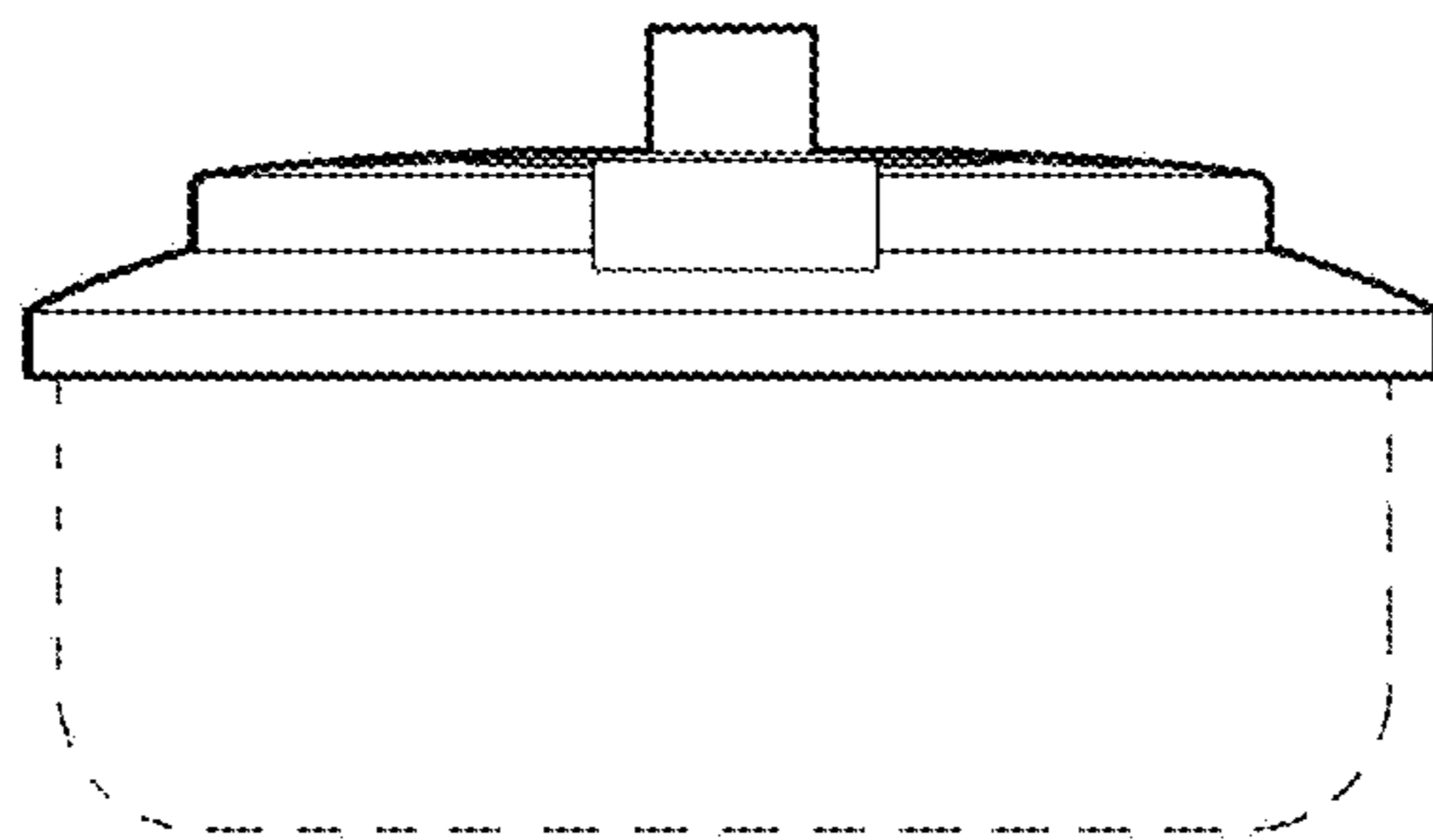


fig 6