



US00D871137S

(12) **United States Design Patent** (10) **Patent No.:** **US D871,137 S**
Brouillac (45) **Date of Patent:** **** Dec. 31, 2019**

(54) **KNIFE HANDLE**
(71) Applicant: **PEUGEOT SAVEURS**, Quingey (FR)
(72) Inventor: **Nicolas Brouillac**, Saint Vit (FR)
(73) Assignee: **PEUGEOT SAVEURS**, Quingey (FR)
(**) Term: **15 Years**
(21) Appl. No.: **35/506,178**
(22) Filed: **Jul. 26, 2018**
(80) **Hague Agreement Data**
Int. Filing Date: **Jul. 26, 2018**
Int. Reg. No.: **DM/103746**
Int. Reg. Date: **Jul. 26, 2018**
Int. Reg. Pub. Date: **Nov. 30, 2018**
(51) **LOC (12) Cl.** **07-03**
(52) **U.S. Cl.**
USPC **D7/401.2**
(58) **Field of Classification Search**
USPC D7/393-395, 401.2, 642-652, 693,
D7/695-696; D8/98, 99, 100, 105, 107;
D22/118; D24/130, 133, 146, 147, 150,
D24/151
CPC A01B 1/20; A01B 1/22; A22C 25/006;
A47G 21/06; A47J 17/02; A61B 17/3211;
A61B 17/3213; B21D 53/64; B25G 1/10;
B25G 1/102; B25G 3/36; B26B 1/00;
B26B 1/08; B26B 1/10; B26B 3/00;
B26B 3/02; B26B 3/03; B26B 3/04;
B26B 3/06; B26B 5/00; B26B 5/001;
B26B 5/007; B26B 7/00; B26B 7/005;
B26B 9/00; B26B 9/02; B26B 11/00;
B26B 11/006; B26B 17/00; B26B 17/006;
B26B 29/02
See application file for complete search history.

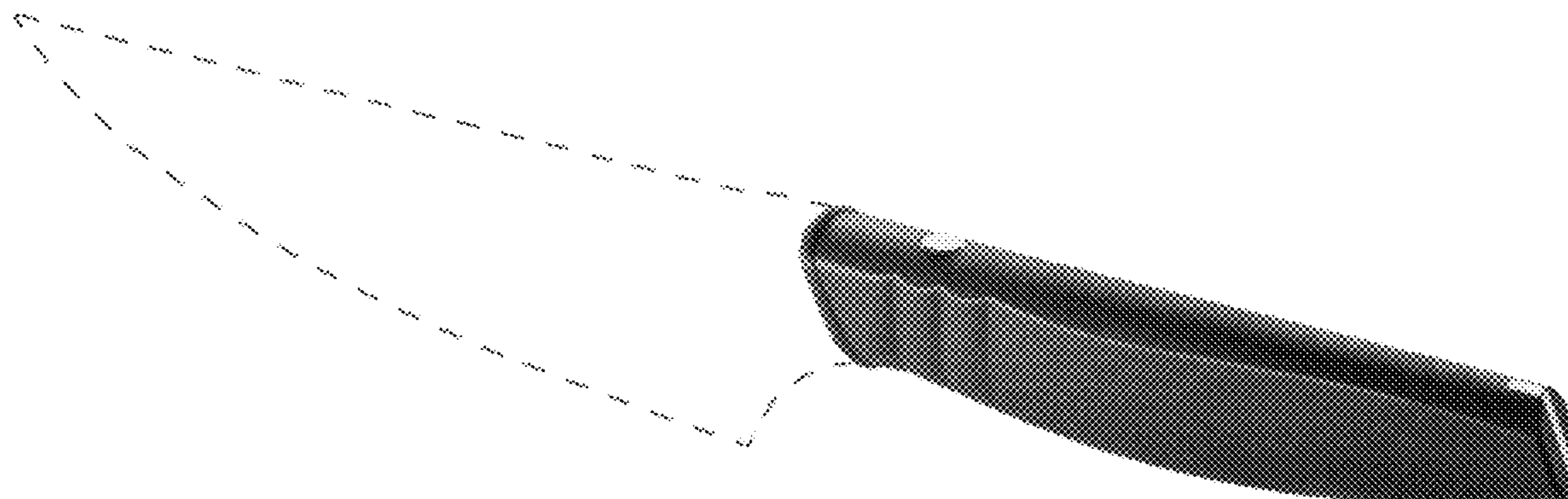
(56) **References Cited**
U.S. PATENT DOCUMENTS
D458,511 S * 6/2002 Rorke D7/395
D462,582 S * 9/2002 Parlowski D7/649
D538,590 S * 3/2007 Stahl D7/395
D539,083 S * 3/2007 Molayem D7/393
D557,980 S * 12/2007 de Bretton Gordon D7/401.2
D565,359 S * 4/2008 Thun D7/649
D623,483 S * 9/2010 Gerlach D7/649
D623,895 S * 9/2010 Hirai D7/401.2
D629,260 S * 12/2010 Krent D7/649
D633,345 S * 3/2011 Ranieri D7/649
D637,868 S * 5/2011 Hirai D7/401.2
D674,670 S * 1/2013 Thun D7/649
9,132,559 B2 * 9/2015 Hatch B26B 29/02
D747,161 S * 1/2016 Makela D7/649
D764,867 S * 8/2016 Haas D7/349
D792,151 S * 7/2017 Berger D7/401.2
D807,696 S * 1/2018 Liu D7/401.2
D809,862 S * 2/2018 Petsche D7/401.2
D824,724 S * 8/2018 Go D7/401.2
D849,487 S * 5/2019 Berger D7/649
D853,187 S * 7/2019 Berger D7/401.2
D856,751 S * 8/2019 Elie D7/401.2

* cited by examiner
Primary Examiner — Darlington Ly
(74) *Attorney, Agent, or Firm* — Craft Chu PLLC;
Andrew W. Chu

(57) **CLAIM**
The ornamental design for a knife handle, as shown and described.

DESCRIPTION
1. Knife handle
1.0 is a perspective view of a knife handle showing my new design.
The broken line showing of the knife blade is provided for the purpose of illustrating environmental structure and forms no part of the claimed design.

1 Claim, 1 Drawing Sheet



1.0

