



US00D871133S

(12) **United States Design Patent**  
**Bullock et al.**

(10) **Patent No.:** **US D871,133 S**

(45) **Date of Patent:** **\*\* Dec. 31, 2019**

(54) **LID**

(71) Applicant: **YETI Coolers, LLC**, Austin, TX (US)

(72) Inventors: **Dustin Bullock**, Austin, TX (US);  
**Edward Abante**, Austin, TX (US);  
**Evan Goldberg**, Austin, TX (US);  
**Steve Charles Nichols**, Austin, TX (US)

(73) Assignee: **YETI Coolers, LLC**, Austin, TX (US)

(\*\*) Term: **15 Years**

(21) Appl. No.: **29/667,024**

(22) Filed: **Oct. 17, 2018**

(51) **LOC (12) Cl.** ..... **07-99**

(52) **U.S. Cl.**  
USPC ..... **D7/392.1; D9/435**

(58) **Field of Classification Search**  
USPC ..... D7/387, 392, 392.1, 392.2, 393, 396.2,  
D7/396.3, 396.4, 401.1, 507, 509–511,  
D7/538, 900; D9/414, 415, 420, 426,  
D9/428, 429, 434, 435, 443–450,  
D9/452–457, 499, 682, 685, 686  
CPC .... B65D 51/28; B65D 21/0222; B65D 43/02;  
B65D 2203/00; B65D 2231/022; B65D  
2543/00046; B65D 2543/00092; B65D  
(Continued)

(56) **References Cited**

**U.S. PATENT DOCUMENTS**

1,018,379 A 2/1912 Seward  
1,018,961 A 2/1912 Coffield  
(Continued)

**FOREIGN PATENT DOCUMENTS**

AU 2017280047 A1 1/2019  
AU 2016368382 B2 2/2019  
(Continued)

**OTHER PUBLICATIONS**

“Yeti Rambler Bottle Cup Cap Accessory.” Found online Jun. 18, 2019 at [www.amazon.com](http://www.amazon.com). Product reviewed May 30, 2019. Retrieved from URL: <https://tinyurl.com/y32g688u> (Year: 2019).\*

(Continued)

*Primary Examiner* — Garth Rademaker  
*Assistant Examiner* — Katelin G Kloberg

(74) *Attorney, Agent, or Firm* — Banner & Witcoff, Ltd.

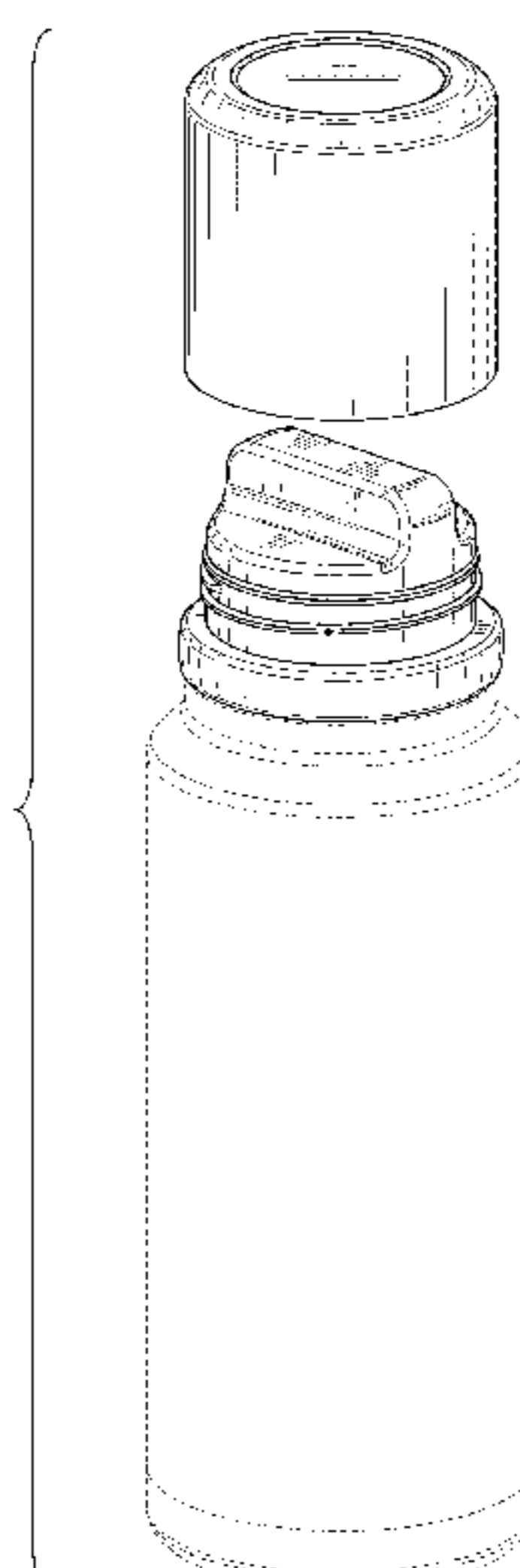
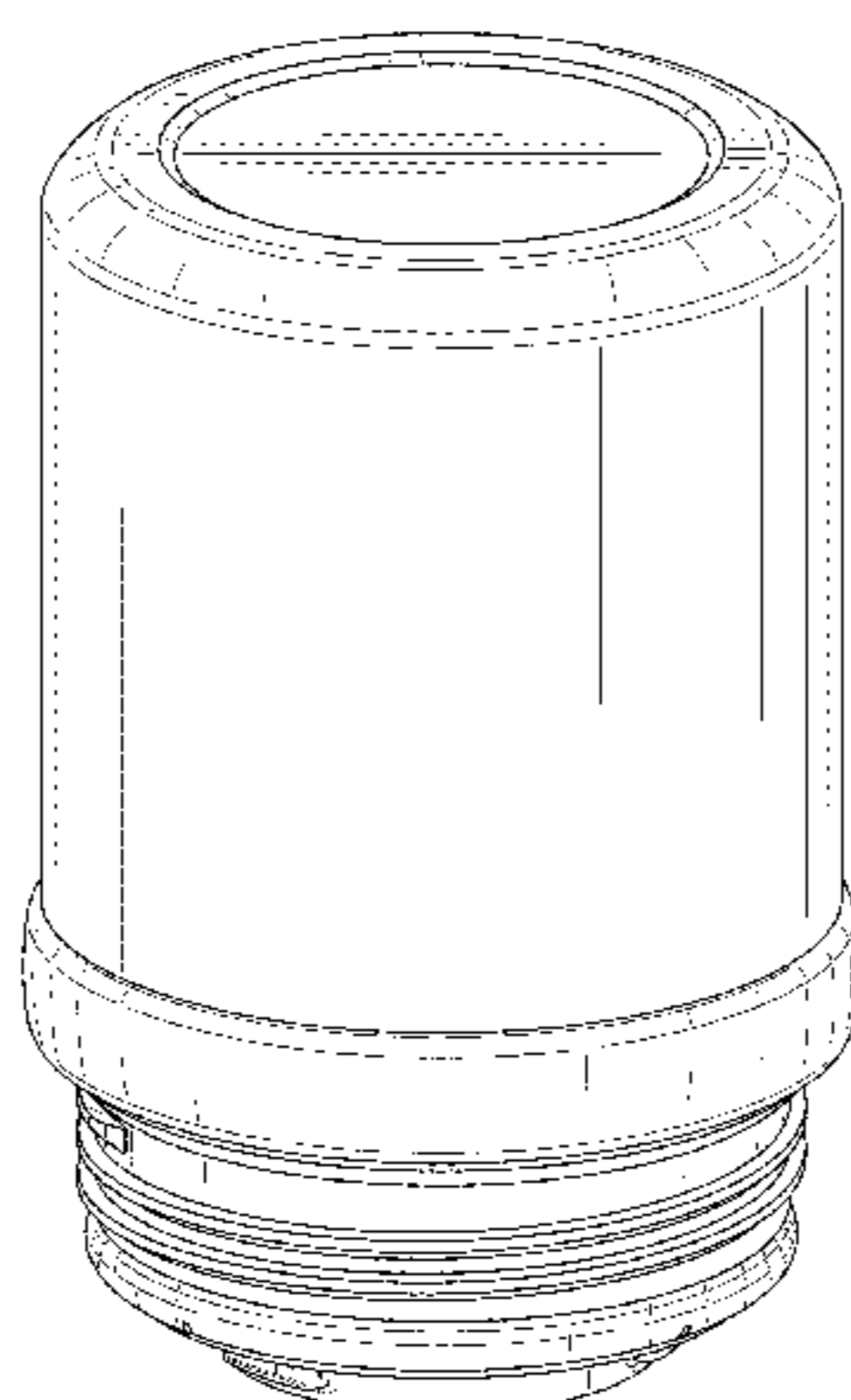
(57) **CLAIM**

The ornamental design for a lid, as shown and described.

**DESCRIPTION**

FIG. 1 is a top, front, right perspective view of a lid showing our new design;  
FIG. 2 is a front view thereof;  
FIG. 3 is a rear view thereof;  
FIG. 4 is a right side view thereof;  
FIG. 5 is a left side view thereof;  
FIG. 6 is a top view thereof;  
FIG. 7 is a bottom view thereof;  
FIG. 8 is a top, front, right perspective view of a lid showing our new design in its exemplary environment;  
FIG. 9 is a top, front, right perspective exploded view of a lid showing our new design;  
FIG. 10 is a front view thereof;  
FIG. 11 is a rear view thereof;  
FIG. 12 a right side view thereof;  
FIG. 13 is a left side view thereof;  
FIG. 14 is a top view of our new design shown disassembled; and,  
FIG. 15 is a top, front, right perspective exploded view of a lid showing our new design in its exemplary assembly.  
The broken lines shown in FIGS. 8 and 15 depict environmental subject matter that forms no part of the claimed design.

**1 Claim, 14 Drawing Sheets**



(58) **Field of Classification Search**  
 CPC ..... 2543/00296; B65D 2543/00537; A47G  
 19/2205; A47G 19/2222; A47G 19/2272  
 See application file for complete search history.

(56) **References Cited**

U.S. PATENT DOCUMENTS

2,735,566 A 2/1956 Bramming  
 3,140,799 A 7/1964 Mehr  
 3,141,586 A 7/1964 Wettrek  
 3,220,695 A 11/1965 Downey et al.  
 3,249,268 A 5/1966 Neuner  
 3,285,453 A 11/1966 Wagner  
 3,439,843 A 4/1969 Corsette  
 3,638,821 A 2/1972 Guala  
 3,776,433 A 12/1973 De Treitas  
 3,842,790 A 10/1974 Clark  
 3,863,798 A 2/1975 Kurihara et al.  
 3,874,541 A 4/1975 Lagneaux et al.  
 4,190,173 A 2/1980 Mason et al.  
 4,358,024 A 11/1982 Underwood  
 4,497,422 A 2/1985 Klees  
 D325,167 S 4/1992 Humfress  
 5,105,975 A 4/1992 Patterson  
 D329,809 S \* 9/1992 Bloomfield ..... D9/435  
 5,249,703 A 10/1993 Karp  
 5,392,967 A 2/1995 Satomi et al.  
 D361,265 S 8/1995 Doxey  
 5,490,622 A 2/1996 Tardif  
 5,839,611 A 11/1998 Obadia et al.  
 5,909,820 A 6/1999 Yeh  
 6,102,227 A 8/2000 Cochrane  
 6,102,244 A 8/2000 Kuwano et al.  
 D447,410 S 9/2001 Malmborg  
 6,357,628 B1 3/2002 Long, Jr.  
 6,536,618 B1 3/2003 Hwang et al.  
 D475,924 S \* 6/2003 Haffner ..... D9/435  
 D476,890 S 7/2003 Hirose  
 6,601,740 B1 8/2003 Clive  
 D479,995 S 9/2003 Duceppe  
 6,662,978 B2 12/2003 Lin et al.  
 6,675,998 B2 1/2004 Forsman et al.  
 6,702,138 B1 3/2004 Bielecki et al.  
 D494,064 S \* 8/2004 Hook ..... D9/435  
 6,908,015 B2 6/2005 Choi et al.  
 D507,495 S 7/2005 Williams et al.  
 D521,314 S 5/2006 Ball  
 D536,974 S 2/2007 Smith et al.  
 D567,021 S 4/2008 Bach et al.  
 D594,346 S 6/2009 Mouquet  
 D605,942 S 12/2009 Miksovsky  
 D614,955 S 5/2010 Cresswell et al.  
 D621,648 S 8/2010 Lown et al.  
 D628,900 S 12/2010 Barnett et al.  
 D628,901 S 12/2010 Barnett et al.  
 D631,349 S 1/2011 Arnell et al.  
 D634,156 S \* 3/2011 Fuller ..... D7/393  
 D641,257 S 7/2011 Thiebaut et al.  
 D645,709 S 9/2011 Endo  
 D652,682 S \* 1/2012 Eyal ..... D7/510  
 D655,134 S \* 3/2012 Gilbert ..... D7/510  
 8,256,631 B2 9/2012 Hoffmann et al.  
 8,272,532 B2 9/2012 Michaelian et al.  
 8,292,133 B2 10/2012 Baughman et al.  
 D675,865 S 2/2013 Wahl  
 D679,185 S 4/2013 Brown et al.  
 8,459,468 B2 6/2013 Lin  
 D703,998 S \* 5/2014 Funnell, II ..... D7/393  
 8,777,031 B2 7/2014 Aneas  
 D724,435 S 3/2015 Kaufman et al.  
 8,967,414 B2 3/2015 Lane  
 8,985,406 B2 3/2015 Tachi  
 D734,638 S 7/2015 Wahl  
 D735,038 S 7/2015 Tamarindo  
 D743,255 S \* 11/2015 Niggemyer ..... D9/435  
 9,215,942 B2 12/2015 Bodum

D748,472 S 2/2016 Seybel et al.  
 D751,345 S 3/2016 Lane et al.  
 D751,399 S 3/2016 Lynd et al.  
 D757,543 S 5/2016 Sorensen et al.  
 9,346,591 B2 5/2016 Martinengo  
 D758,859 S 6/2016 Sorensen et al.  
 D759,487 S 6/2016 Jayakaran  
 9,493,274 B2 11/2016 Ledun et al.  
 D773,250 S 12/2016 Miller  
 9,522,770 B2 12/2016 Pichrt  
 9,532,671 B2 1/2017 Lin  
 D778,725 S 2/2017 Sorensen et al.  
 D784,812 S \* 4/2017 Miller ..... D9/435  
 9,694,953 B2 7/2017 Meyers et al.  
 9,708,108 B2 7/2017 Gregory et al.  
 9,745,110 B2 8/2017 Boyer et al.  
 D799,963 S 10/2017 Akiyama  
 9,801,969 B2 10/2017 Griffis  
 D802,419 S 11/2017 Seiders et al.  
 D806,543 S 1/2018 Finkbohner et al.  
 9,919,860 B2 3/2018 Dabah et al.  
 9,926,115 B2 3/2018 Jung et al.  
 D814,930 S \* 4/2018 Tremayne ..... D9/435  
 D816,426 S 5/2018 Washburn et al.  
 D817,114 S 5/2018 Beckman  
 D819,402 S \* 6/2018 Silsby ..... D7/510  
 D820,039 S \* 6/2018 Fitzsimons ..... D7/392.1  
 10,029,832 B2 7/2018 Isogai  
 10,040,593 B2 8/2018 Ross et al.  
 D831,434 S \* 10/2018 Washburn ..... D7/608  
 10,086,980 B2 10/2018 Isogai  
 D834,938 S 12/2018 Barnes et al.  
 D835,937 S \* 12/2018 Nichols ..... D7/392.1  
 D836,387 S \* 12/2018 Silsby ..... D7/392.1  
 D836,388 S \* 12/2018 Abante ..... D7/392.1  
 D836,389 S \* 12/2018 Abante ..... D7/392.1  
 10,167,120 B1 1/2019 Levy et al.  
 10,189,619 B1 1/2019 Crawley  
 10,196,179 B2 2/2019 Wisniewski  
 10,196,186 B2 2/2019 Cox  
 10,202,224 B2 2/2019 Painchaud  
 10,214,323 B2 2/2019 Conley et al.  
 D842,030 S \* 3/2019 Meyers ..... D7/396.2  
 D842,038 S \* 3/2019 Seiders ..... D7/510  
 2002/0014498 A1 2/2002 Forsman et al.  
 2003/0141321 A1 7/2003 Sekendur  
 2003/0155323 A1 8/2003 Ekkert  
 2004/0201224 A1 10/2004 Chang  
 2007/0199914 A1 8/2007 Hung  
 2008/0230506 A1 9/2008 Lantz et al.  
 2009/0084752 A1 4/2009 Coulson  
 2009/0101644 A1 4/2009 Maiwald et al.  
 2010/0012615 A1 1/2010 Brooks  
 2010/0200602 A1 8/2010 Chan  
 2010/0237078 A1 9/2010 Lentz et al.  
 2011/0198352 A1 8/2011 Lown et al.  
 2015/0374151 A1 12/2015 Lin  
 2017/0144811 A1 5/2017 Wohlgenannt  
 2018/0050845 A1 2/2018 Chin et al.  
 2018/0105346 A1 4/2018 Tolman et al.  
 2018/0118427 A1 5/2018 Lee et al.  
 2018/0134457 A1 5/2018 Mutterle et al.  
 2018/0141722 A1 5/2018 Langelaan  
 2018/0162608 A1 6/2018 Kim  
 2018/0162610 A1 6/2018 Kim  
 2019/0002164 A1 1/2019 Nakatani et al.  
 2019/0039782 A1 2/2019 Campbell  
 2019/0047754 A1 2/2019 Dubiel et al.  
 2019/0047773 A1 2/2019 Bullock et al.  
 2019/0062010 A1 2/2019 Apte et al.

FOREIGN PATENT DOCUMENTS

CA 3030583 A1 11/2018  
 CA 3012127 A1 2/2019  
 CN 201694495 U 1/2011  
 CN 202030152 U 11/2011  
 CN 202287503 U 7/2012  
 CN 103112651 A 5/2013



(56)

References Cited

FOREIGN PATENT DOCUMENTS

CN	202981686	U	6/2013
CN	203127394	U	8/2013
CN	103538798	A	1/2014
CN	103619723	A	3/2014
CN	102730301	B	3/2015
CN	103086061	B	8/2015
CN	105705425	A	6/2016
CN	303894653		10/2016
CN	303899030		10/2016
CN	303902404		11/2016
CN	303905254		11/2016
CN	303905266		11/2016
CN	303944047		11/2016
CN	303956194		12/2016
CN	303965272		12/2016
CN	303965286		12/2016
CN	303965392		12/2016
CN	303965400		12/2016
CN	303966239		12/2016
CN	303974938		12/2016
CN	303984407		12/2016
CN	303984493		12/2016
CN	304011213		1/2017
CN	304011214		1/2017
CN	108313494	A	7/2018
CN	107224167	B	8/2018
CN	108394633	A	8/2018
CN	106458394	B	10/2018
CN	105050907	B	12/2018
CN	105358441	B	12/2018
CN	108945789	A	12/2018
CN	106163937	B	1/2019
CN	105595863	B	2/2019
CN	106255648	B	2/2019
CN	106414269	B	2/2019
CN	106458396	B	2/2019
CN	109319295	A	2/2019
CN	208470495	U	2/2019
CN	208485029	U	2/2019
CN	208531194	U	2/2019
DE	2226556	B2	8/1977
DE	3514261	A1	1/1986
DE	69509827	T2	10/1999
DE	29912668	U1	12/1999
DK	402016101176-0008		11/2016
DK	402016101176-0010		11/2016
EM	003528504-0004		12/2016
EM	004539732-0003		12/2017
EP	1693310	A1	8/2006
EP	2457842	B1	5/2015
EP	3066018	A4	11/2016
EP	2851311	B1	6/2018
EP	3157833	A	8/2018
EP	2796078	B1	10/2018
EP	3398484	A1	11/2018
EP	3398871	A1	11/2018

EP	3441320	A1	2/2019
FR	1359912	A	4/1964
FR	2521957	B1	10/1986
FR	2830848	A1	4/2003
GB	729903	A	5/1955
GB	2114959	B	7/1985
JP	H02-052759	U	4/1990
JP	H03159974	U	7/1991
JP	H08-0117119	A	5/1996
JP	2000333847	A	12/2000
JP	2003125912	A	5/2003
JP	2008162679	A	7/2008
JP	2010280402	A	12/2010
JP	2011093544	A	5/2011
JP	2016141412	A	8/2016
JP	6408837	B2	10/2018
JP	6409250	B1	10/2018
JP	2019001538	A	1/2019
JP	6467720	B2	2/2019
JP	2019503943	A	2/2019
KR	200169857	Y1	2/2000
KR	20100008131	A	1/2010
KR	3020150002495		12/2015
KR	101581270	B1	1/2016
KR	101668309	B1	10/2016
KR	300883384.0000		11/2016
KR	300884377.0000		12/2016
KR	300885455.0000		12/2016
KR	300885851.0000		12/2016
KR	300888536.0000		1/2017
KR	101785906	B1	10/2017
KR	20-2019-0000204	U	1/2019
KR	101922235	B1	2/2019
RU	00100680		11/2016
WO	14041325	A3	9/2014
WO	14184341	A1	11/2014
WO	16180908	A1	11/2016
WO	17097485	A1	6/2017
WO	17115193	A1	7/2017
WO	18149763	A1	8/2018
WO	17223093	A3	2/2019
WO	19025589	A1	2/2019

OTHER PUBLICATIONS

Avex, "40oz. 3Sixty Pour Stainless Steel Thermal Bottle", Accessed May 18, 2017. <http://www.avexoutdoor.com/3sixty-pour-realtree-thermal-bottle.html>.

"Thermos Stainless King 60 Ounce Vacuum Insulated Beverage Bottle." Found online Jul. 13, 2018 at [www.amazon.com](http://www.amazon.com). Page dated Aug. 15, 2015. Retrieved from U RL: <https://www.amazon.com/Thermos-Stainless-Insulated-Beverage-Midnight/dp/B008YB4V52> (Year: 2015).

"Stanley Classic Vacuum Bottle." Found online Jul. 13, 2018 at [www.amazon.com](http://www.amazon.com). Page dated Nov. 30, 2014. Retrieved from URL: <https://tinyurl.com/y8nnytm9> (Year: 2014).

Feb. 11, 2019—(CN) Office Action—App. No. 201680059619.7.

\* cited by examiner

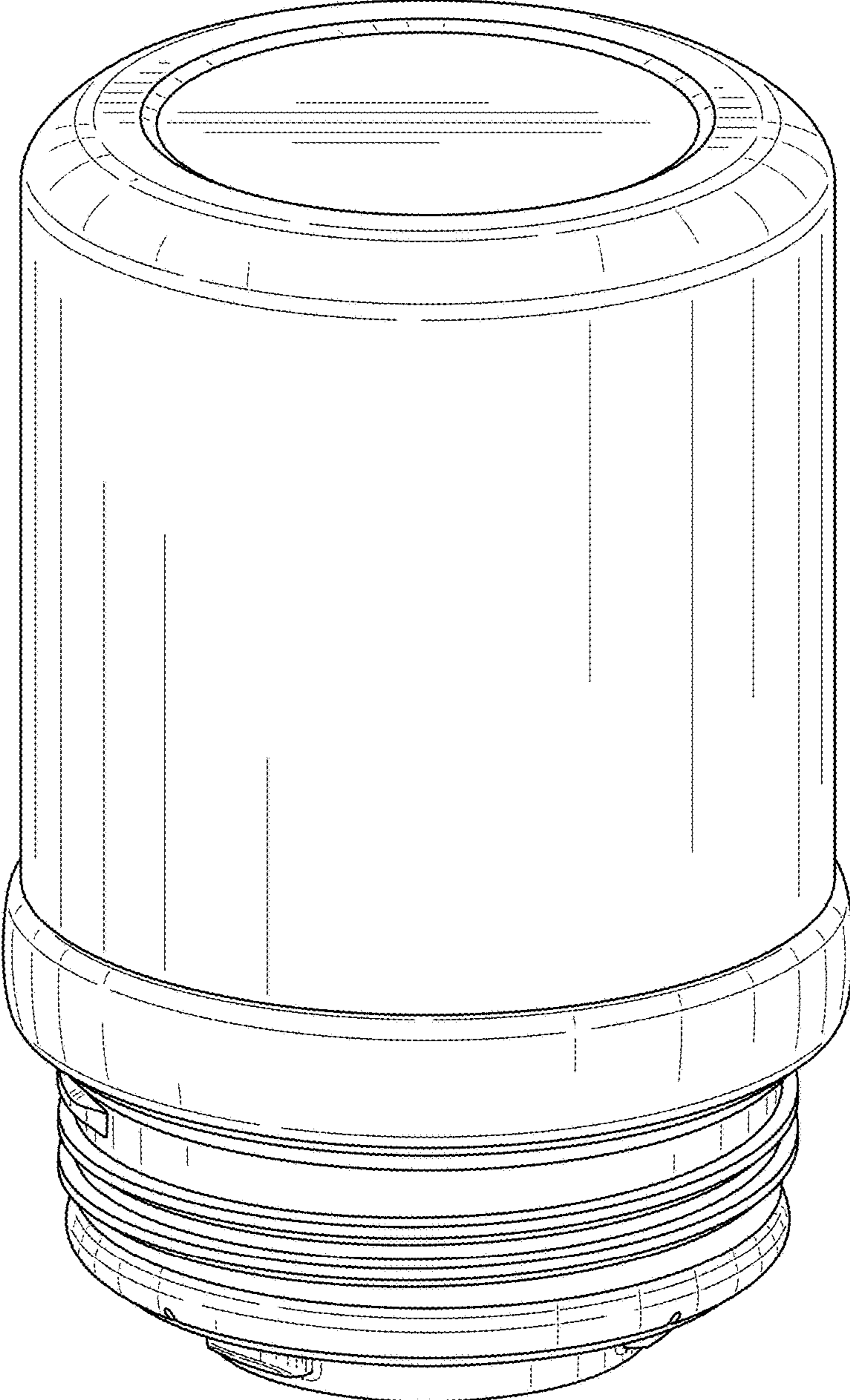


FIG. 1

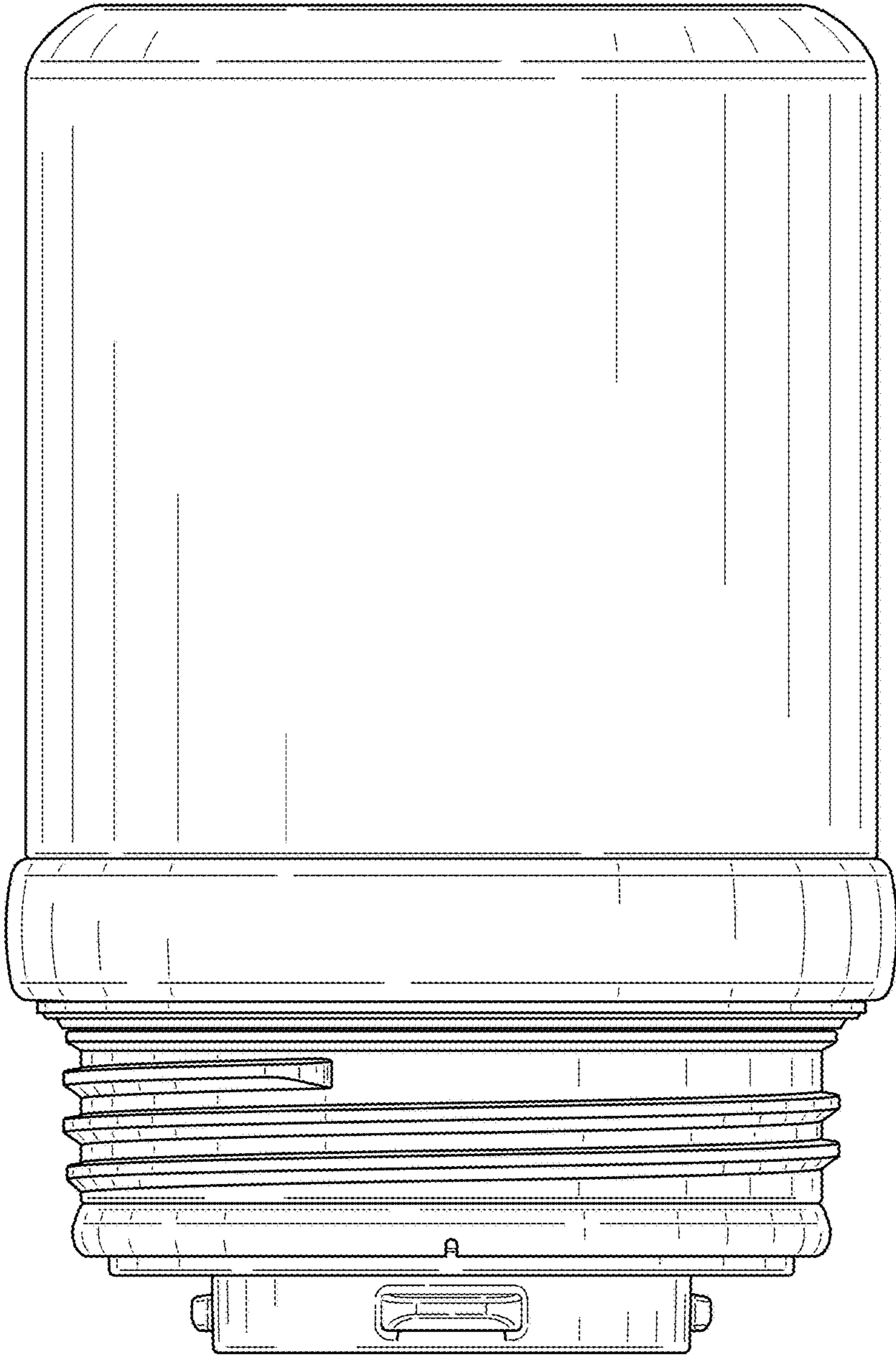


FIG. 2

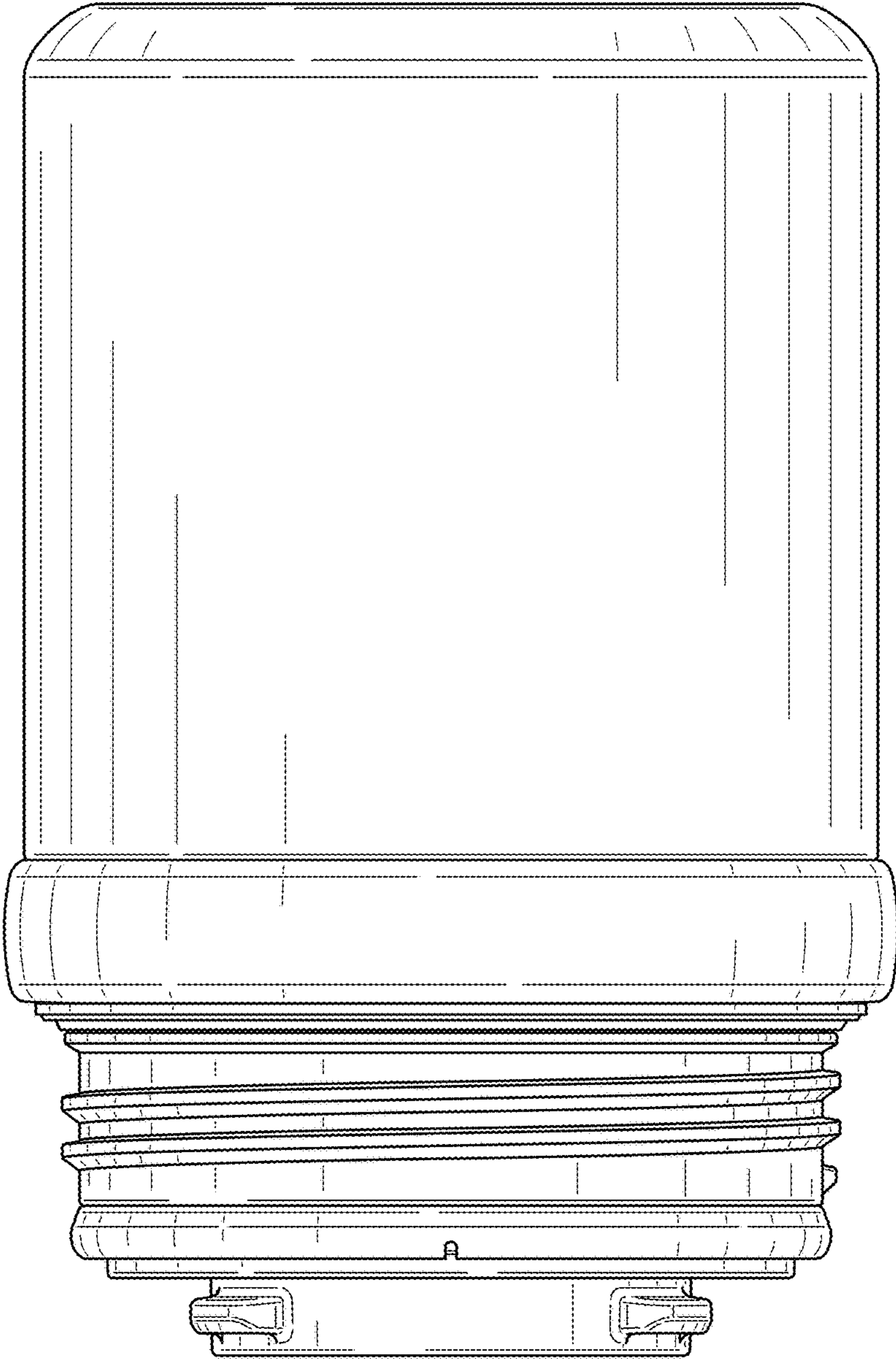


FIG. 3



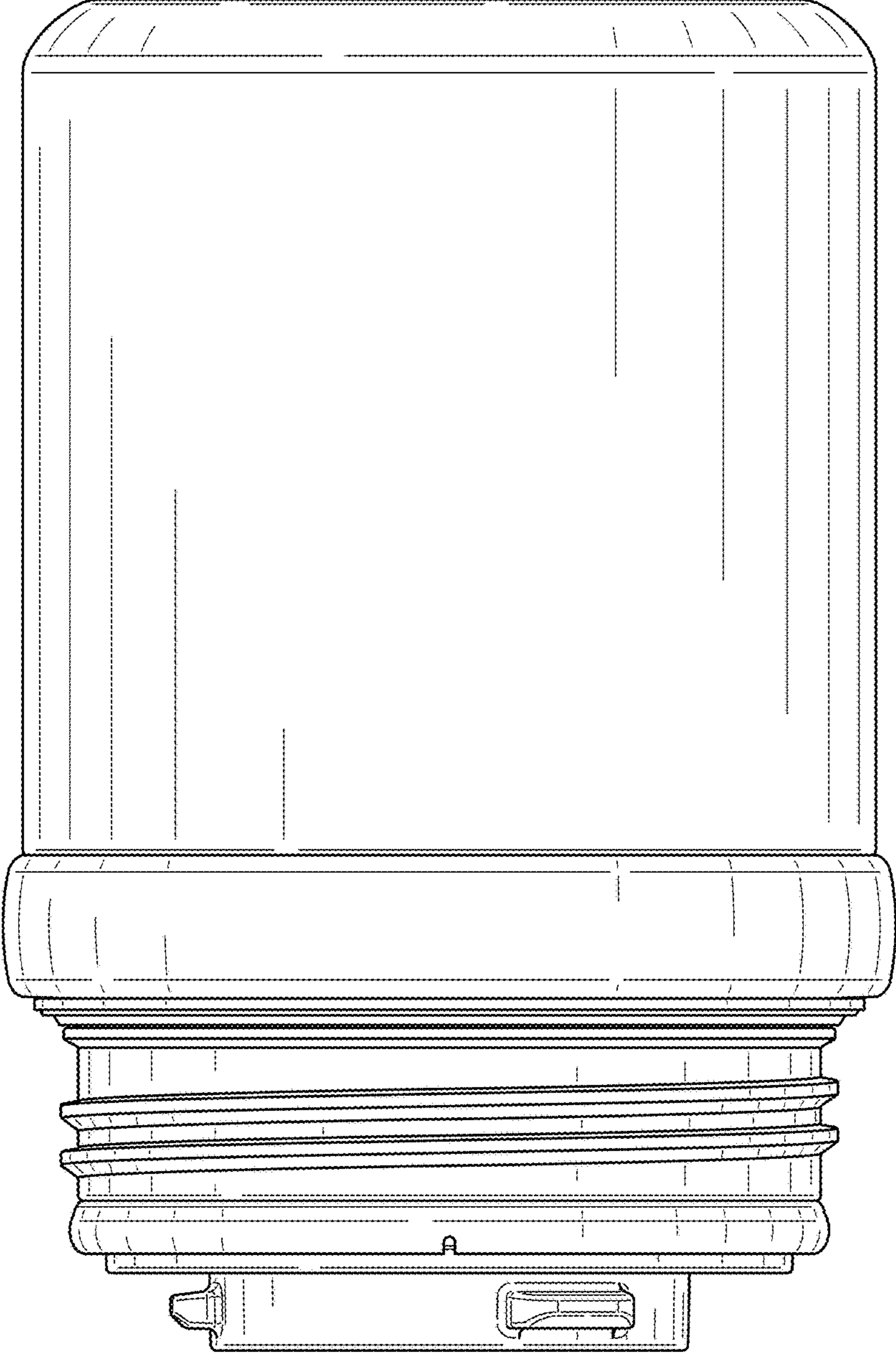


FIG. 4

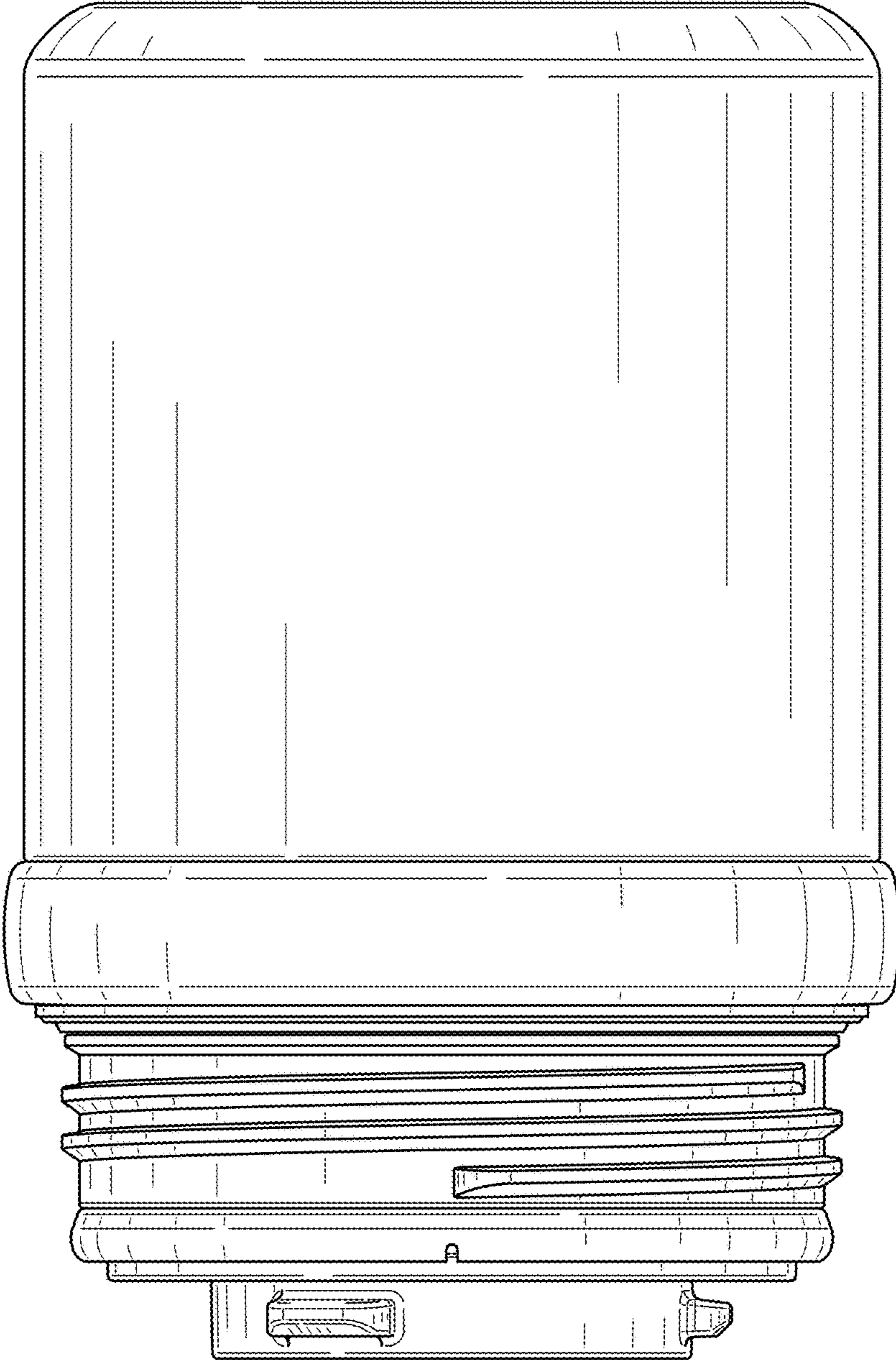


FIG. 5



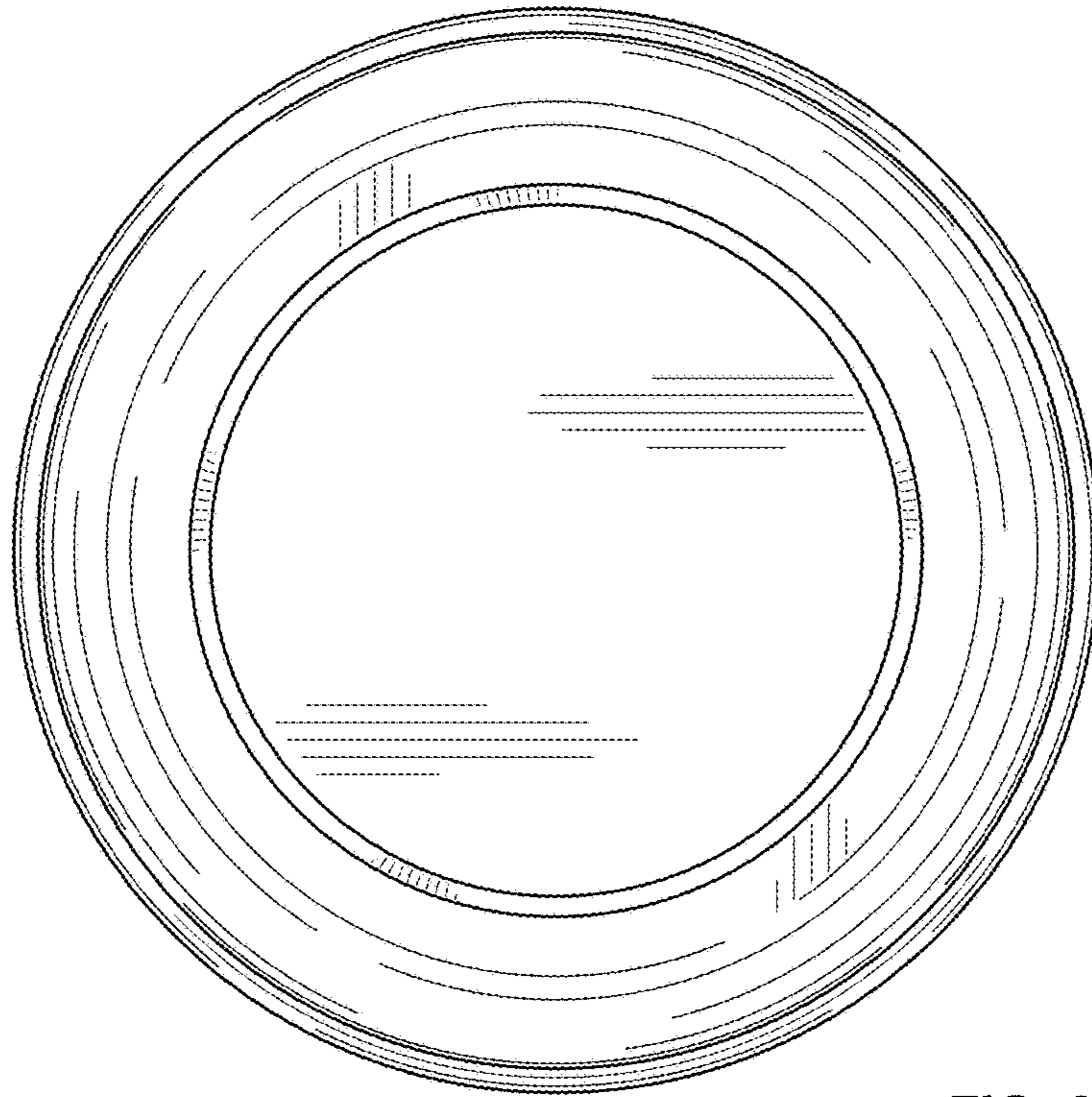


FIG. 6

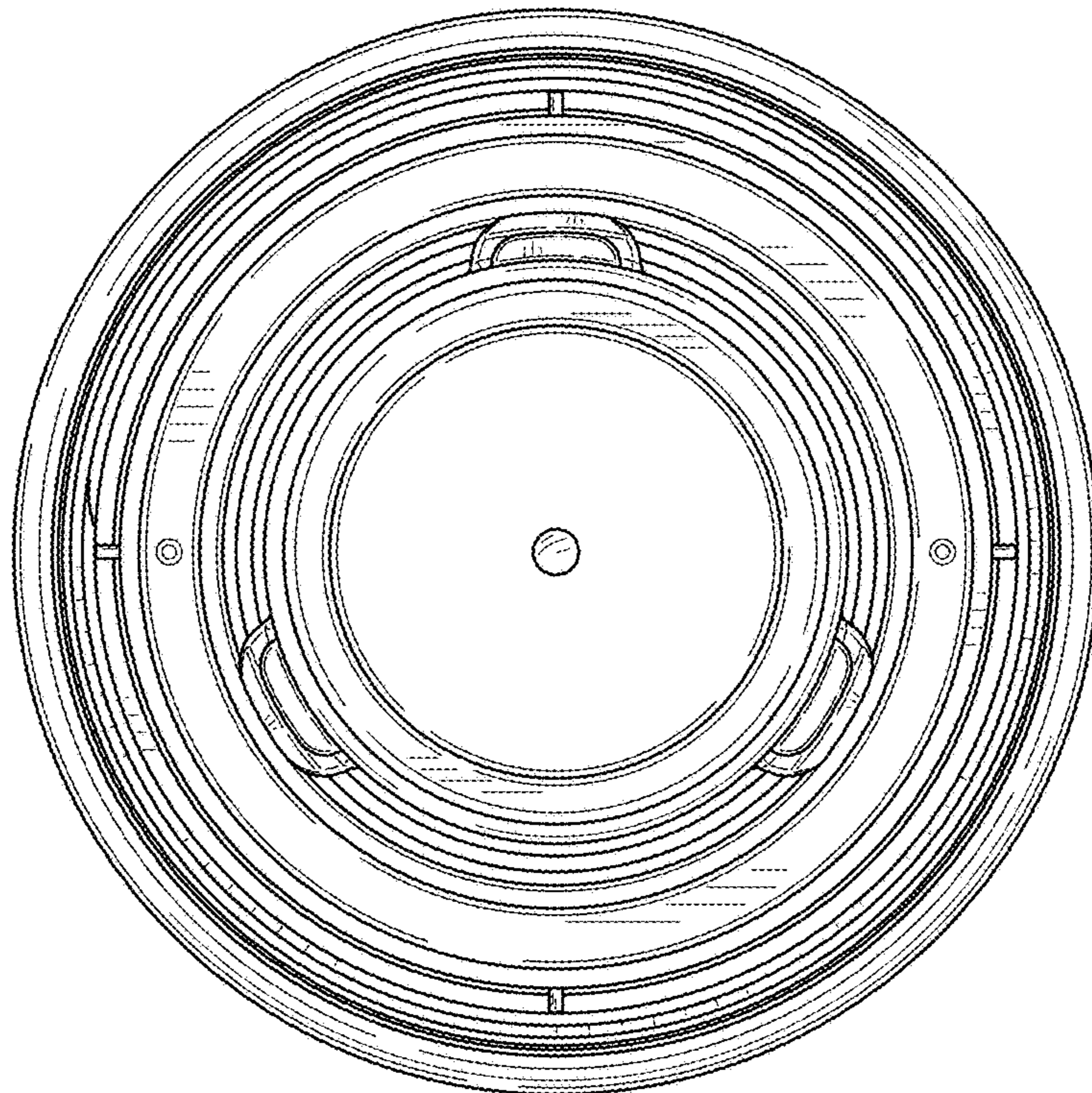


FIG. 7

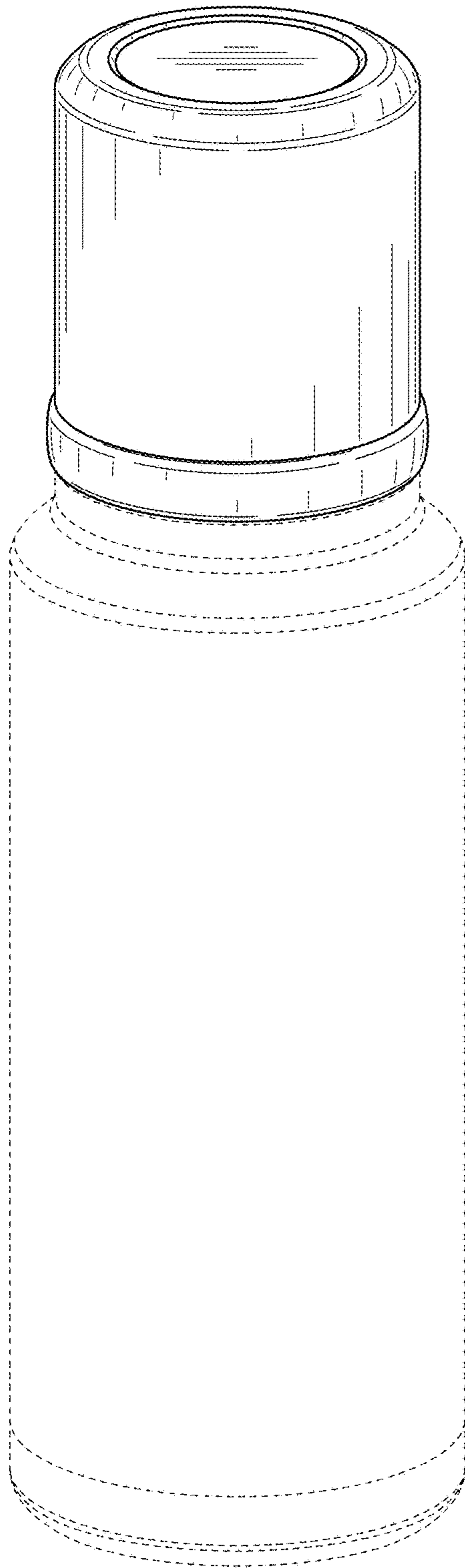


FIG. 8

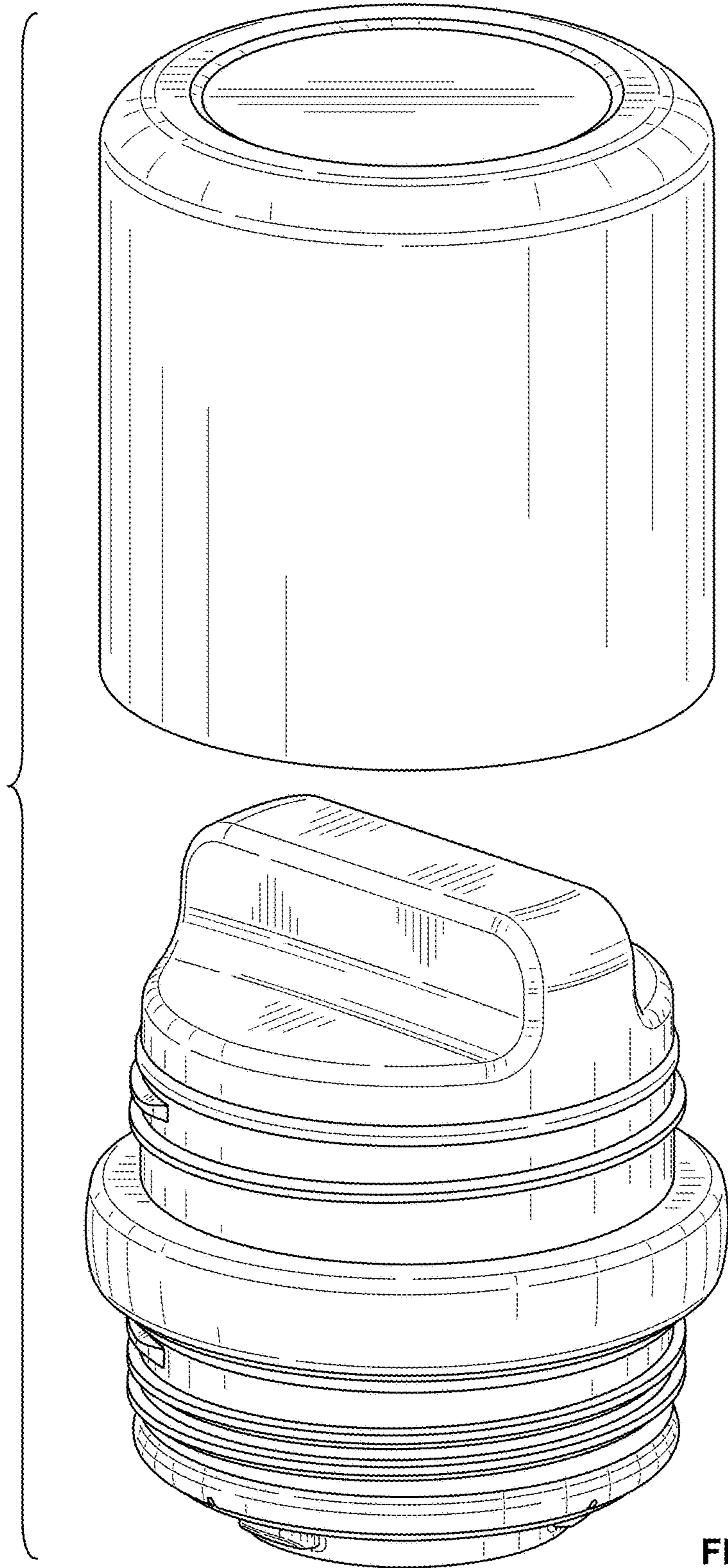


FIG. 9



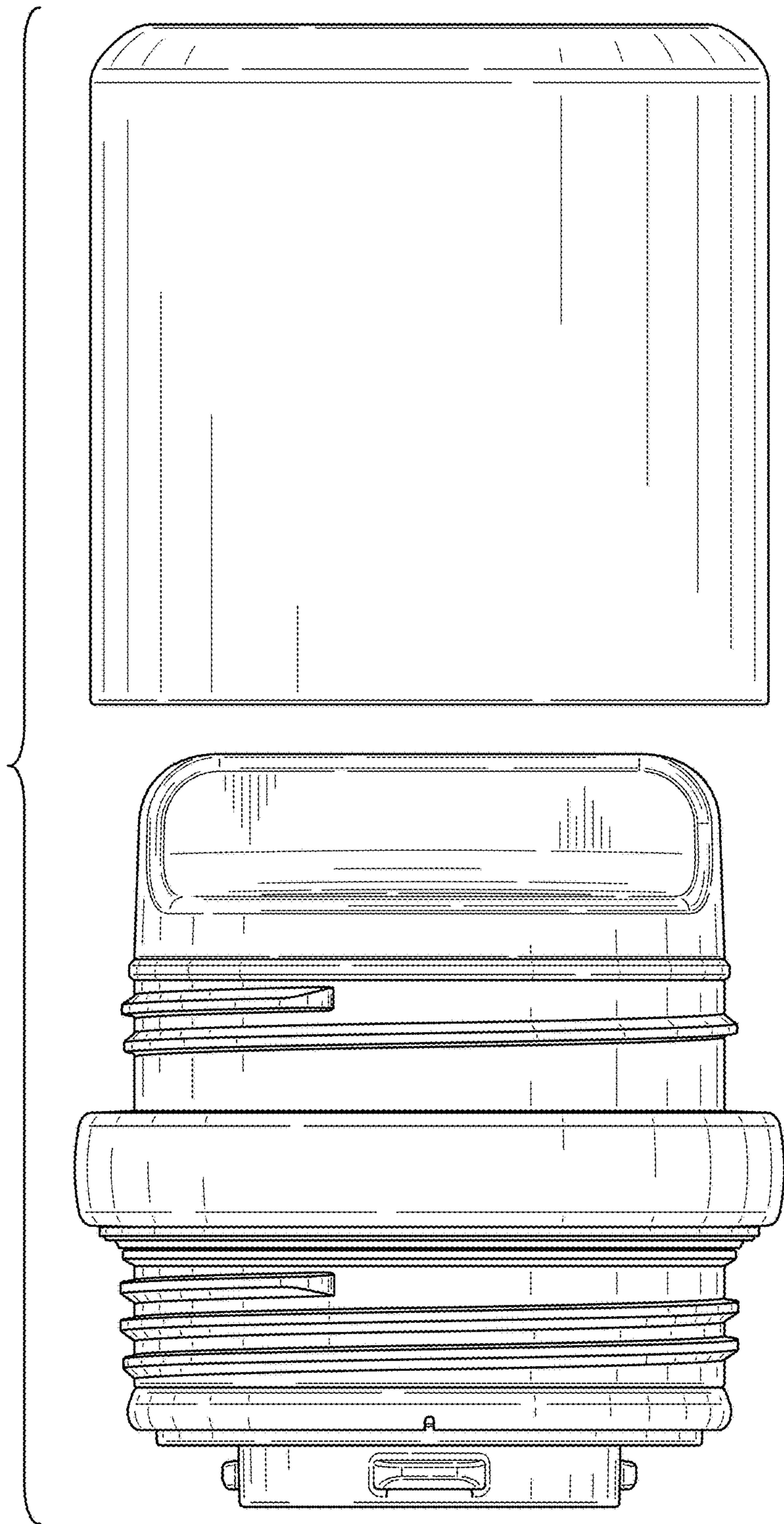


FIG. 10

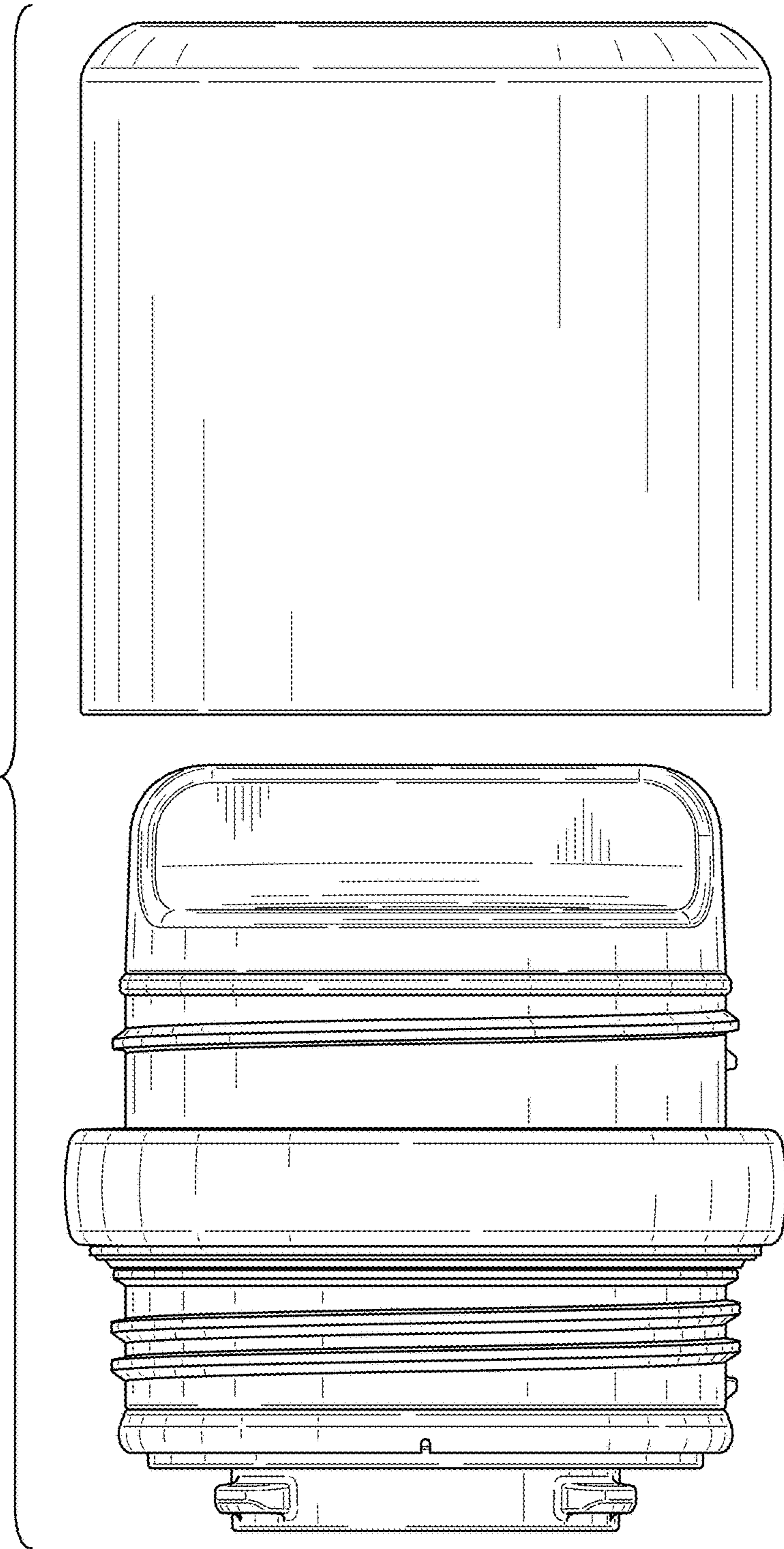


FIG. 11

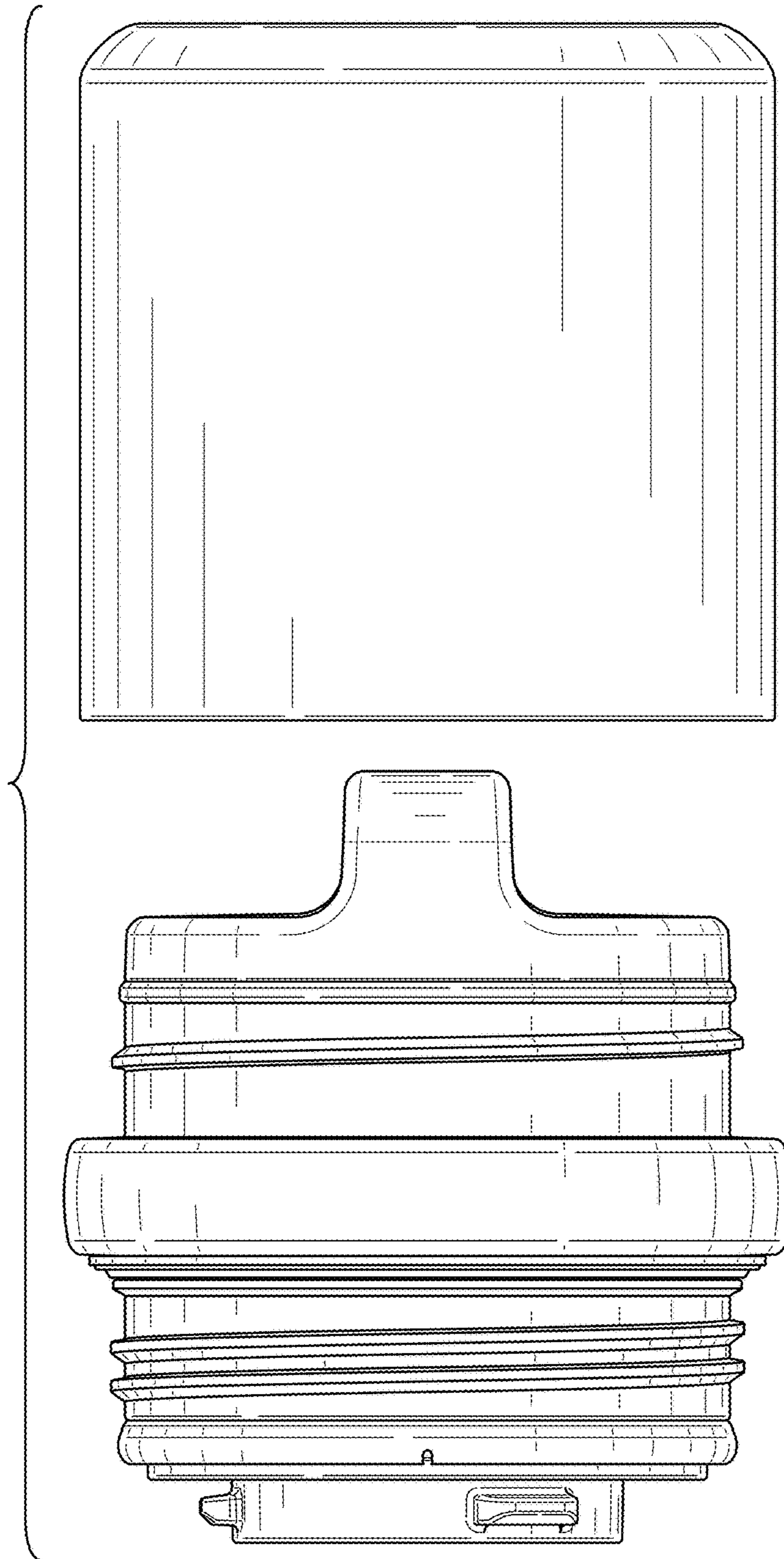


FIG. 12



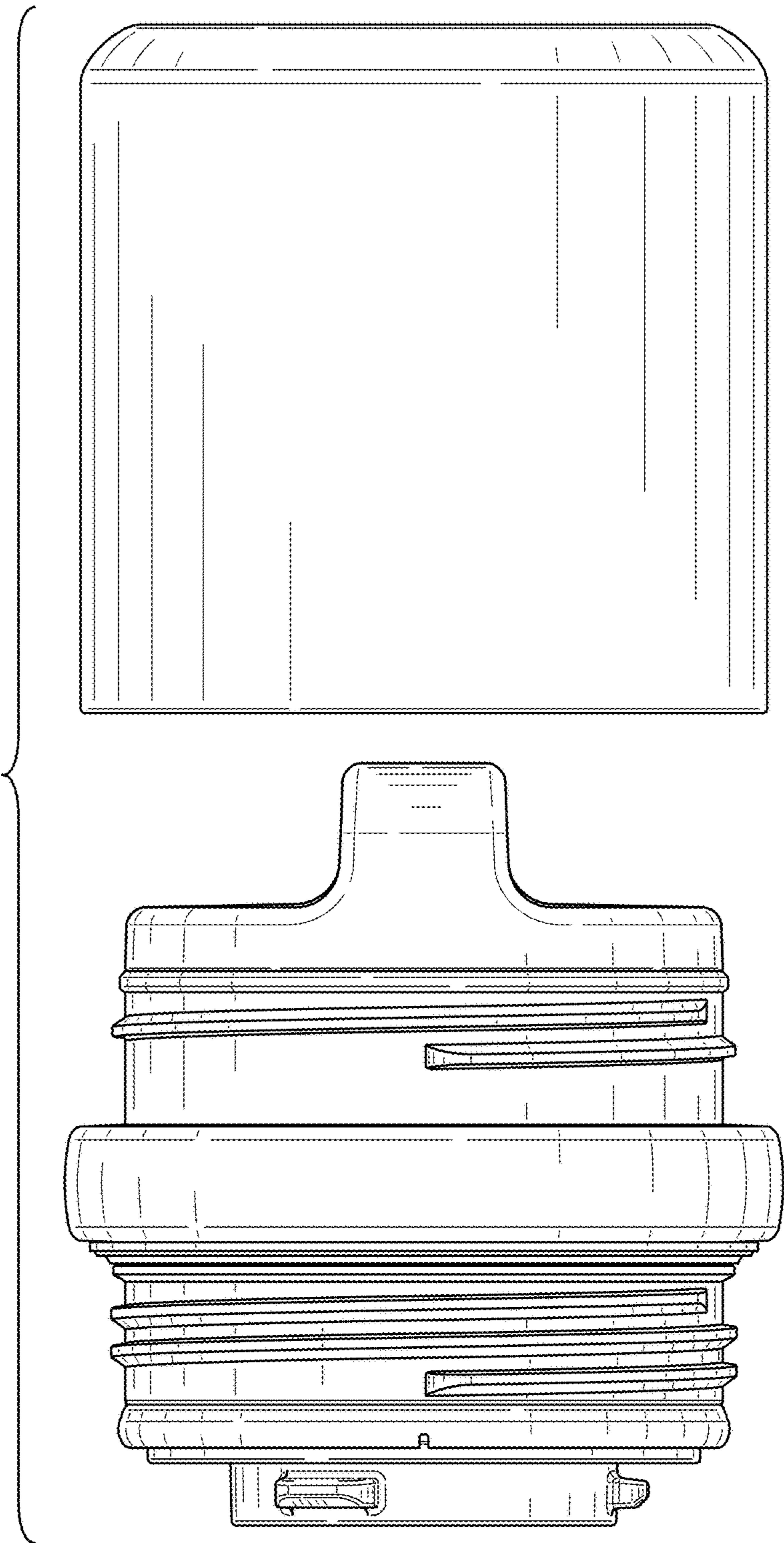


FIG. 13

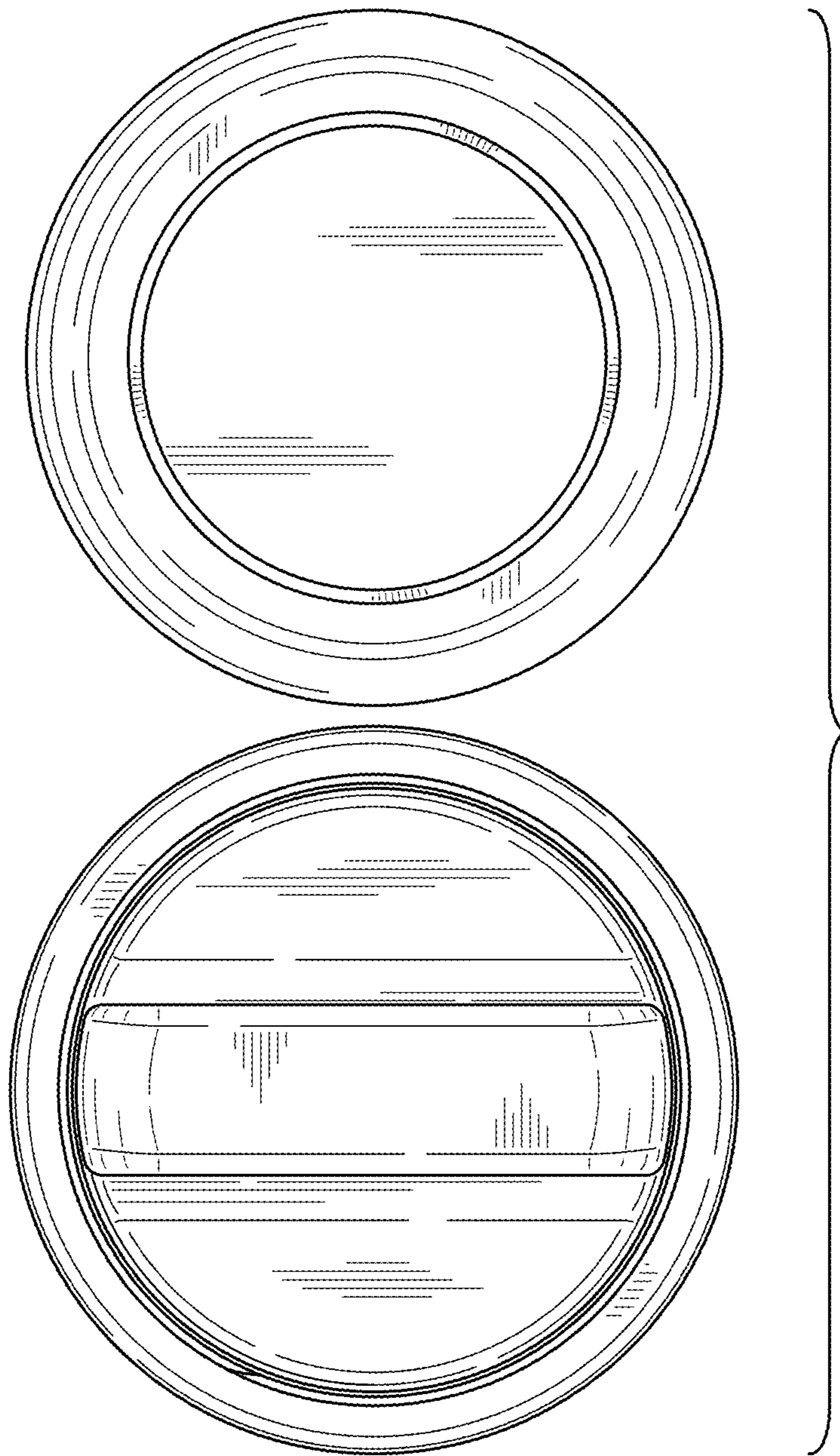


FIG. 14

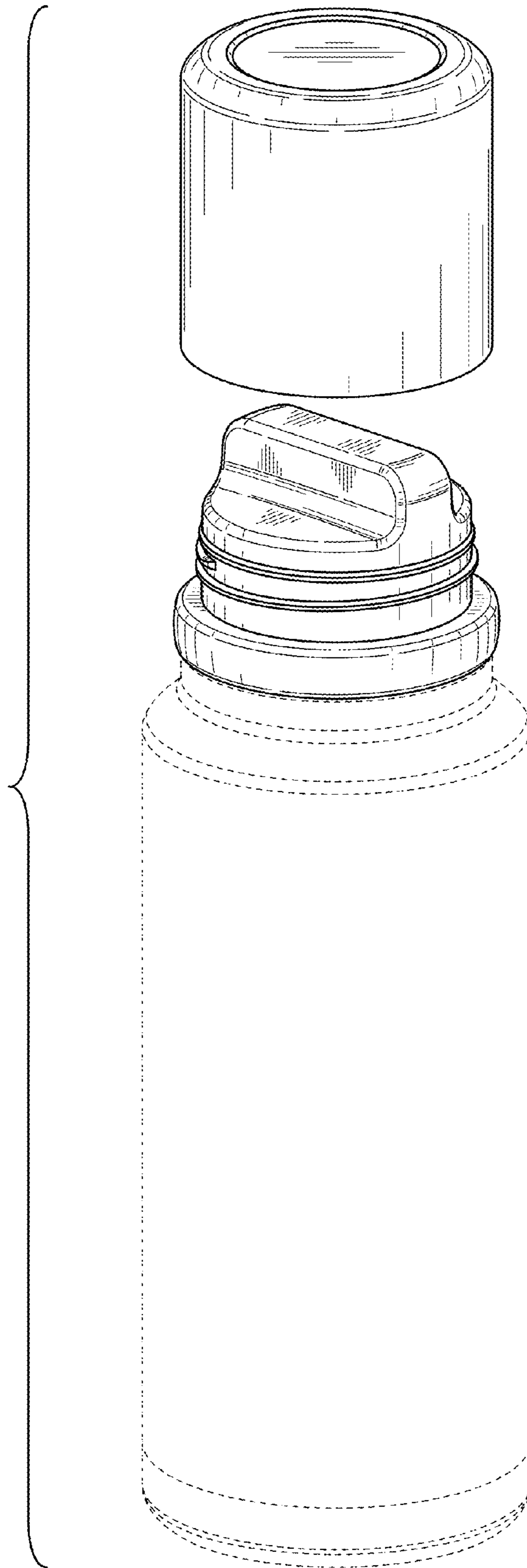


FIG.15