



US00D871128S

(12) **United States Design Patent** (10) **Patent No.:** **US D871,128 S**  
**Lv** (45) **Date of Patent:** **\*\* Dec. 31, 2019**

(54) **CAKE MOLD**

37/00; A47J 37/04; B65D 1/22; B65D 1/24; B65D 1/34; B65D 1/36; B65D 81/343; B65D 85/36

(71) Applicant: **ZHEJIANG MARISSA INDUSTRY & TRADE CO., LTD**, Changshan (CN)

See application file for complete search history.

(72) Inventor: **Yibin Lv**, Changshan (CN)

(56) **References Cited**

(73) Assignee: **ZHEJIANG MARISSA INDUSTRY & TRADE CO., LTD**, Changshan (CN)

U.S. PATENT DOCUMENTS

(\*\*) Term: **15 Years**

D604,645 S *	11/2009	Belamich	.....	D10/35
D625,546 S *	10/2010	Henry	.....	D7/354
D711,521 S *	8/2014	Irvin	.....	D23/366
D726,199 S *	4/2015	Matias	.....	D14/485
D844,394 S *	4/2019	Arendt	.....	D7/672

(21) Appl. No.: **29/665,041**

\* cited by examiner

(22) Filed: **Sep. 29, 2018**

*Primary Examiner* — Ricky Pham

(30) **Foreign Application Priority Data**

(74) *Attorney, Agent, or Firm* — Gokalp Bayramoglu

Jun. 19, 2018 (CN) ..... 2018 3 0312123

(51) **LOC (12) Cl.** ..... **07-02**

(57) **CLAIM**

The ornamental design for cake mold, as shown and described.

(52) **U.S. Cl.**

**DESCRIPTION**

USPC ..... **D7/359**; D7/354; D7/357

(58) **Field of Classification Search**

USPC ..... D7/323, 354–361, 392.1, 543, 545, 549, D7/550.1, 553.1–553.8, 554.1–554.4, 555, D7/584, 586, 672, 675; D9/430–433, D9/455–456, 737, 756–762; D10/35; D14/485; D23/366

FIG. 1 is a perspective top view of cake mold showing the new design;

FIG. 2 is a front view thereof;

FIG. 3 is a left side view thereof;

FIG. 4 is a rear view thereof;

FIG. 5 is a right side view thereof;

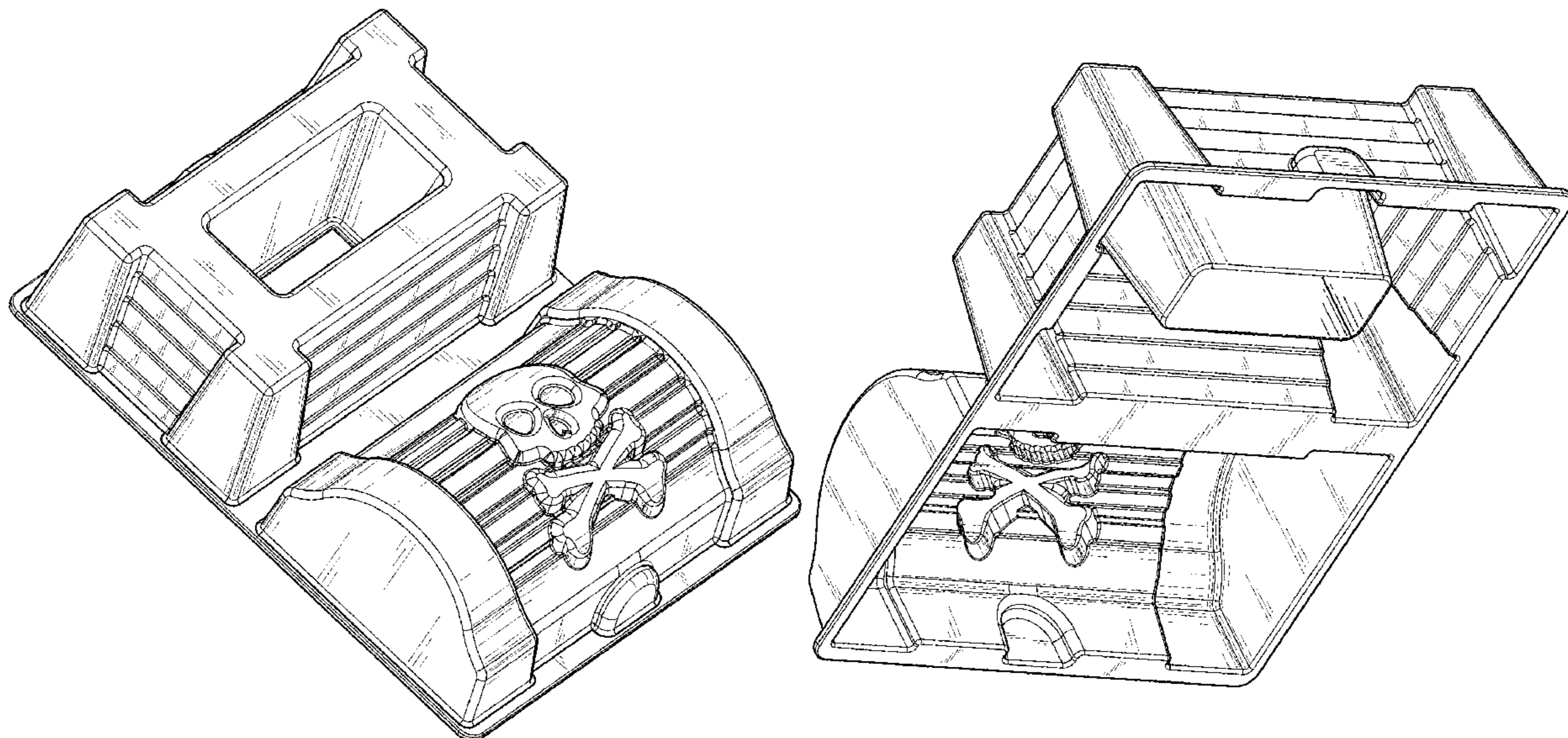
FIG. 6 is a top view thereof;

FIG. 7 is a bottom view thereof; and,

FIG. 8 is a perspective bottom view thereof.

CPC .... A21B 3/00; A21B 3/13; A21B 3/15; A21B 3/134; A21B 5/00; A21B 5/02; A47J 36/022; A47J 36/025; A47J 36/027; A47J

**1 Claim, 8 Drawing Sheets**



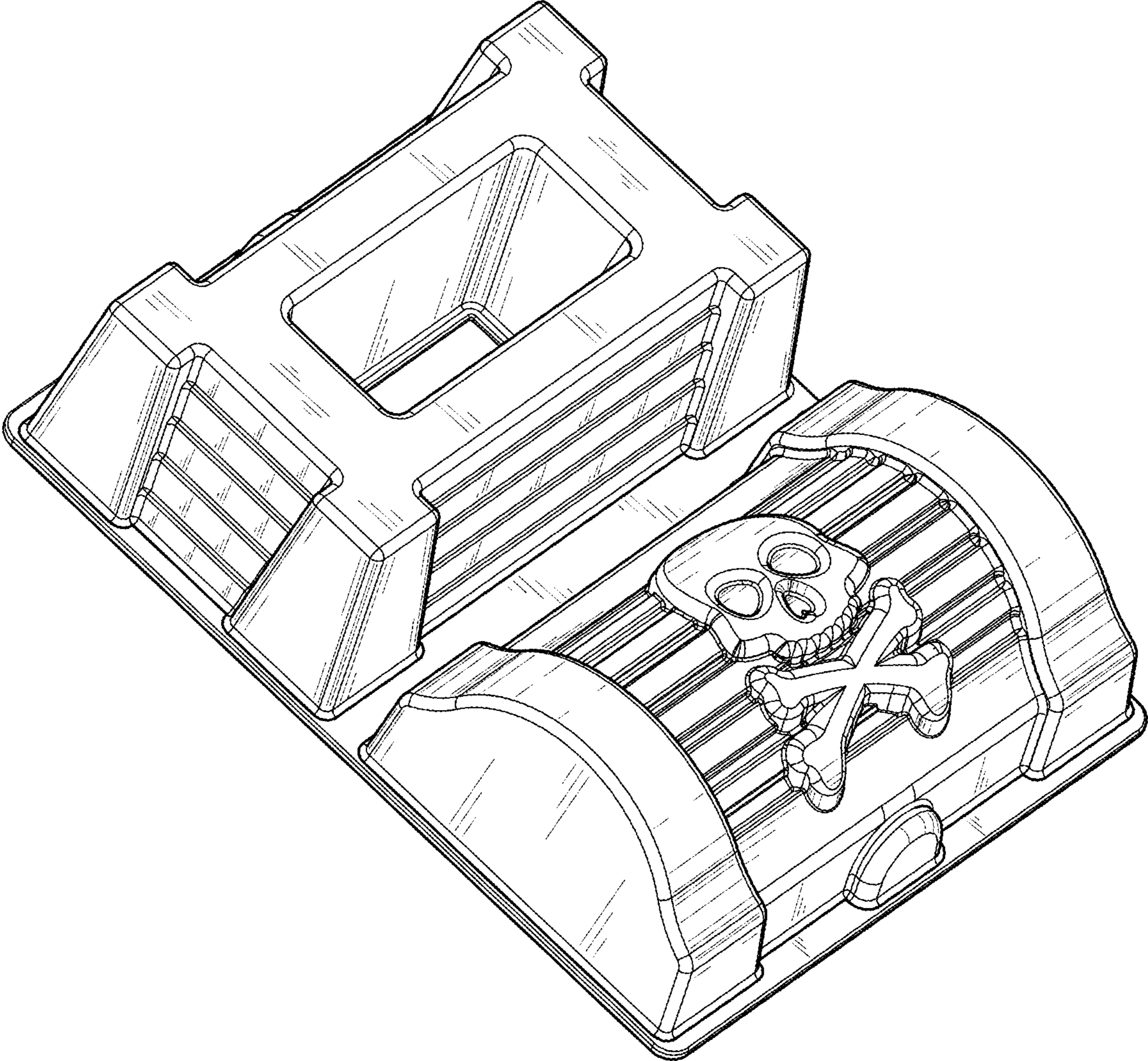


Fig. 1

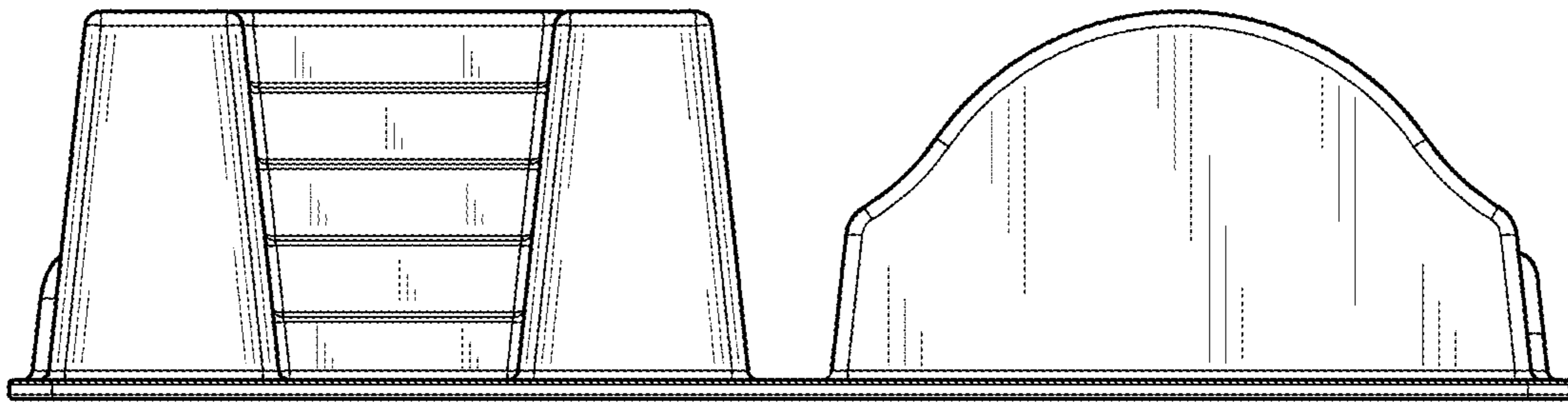


Fig. 2

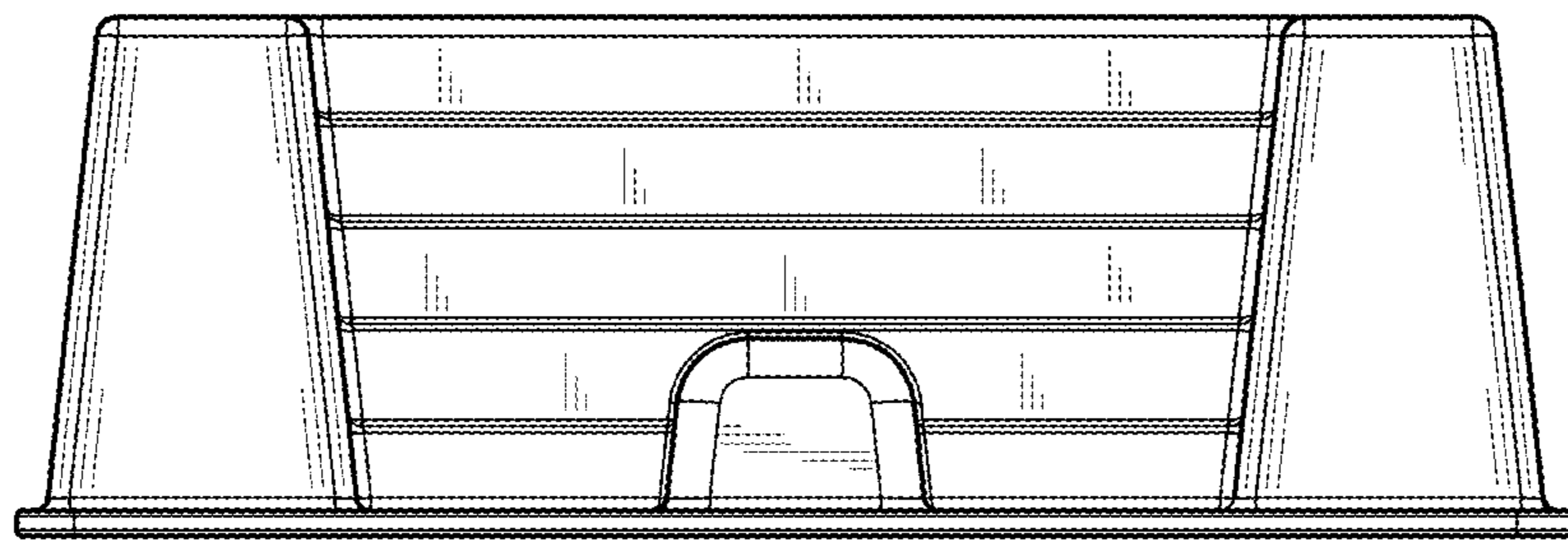


Fig. 3

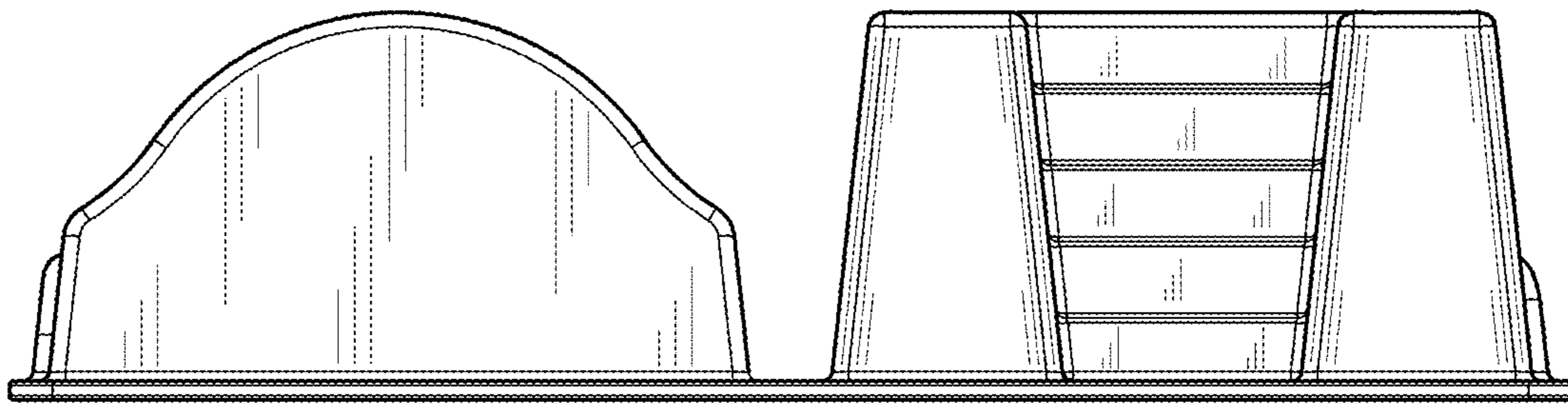


Fig. 4

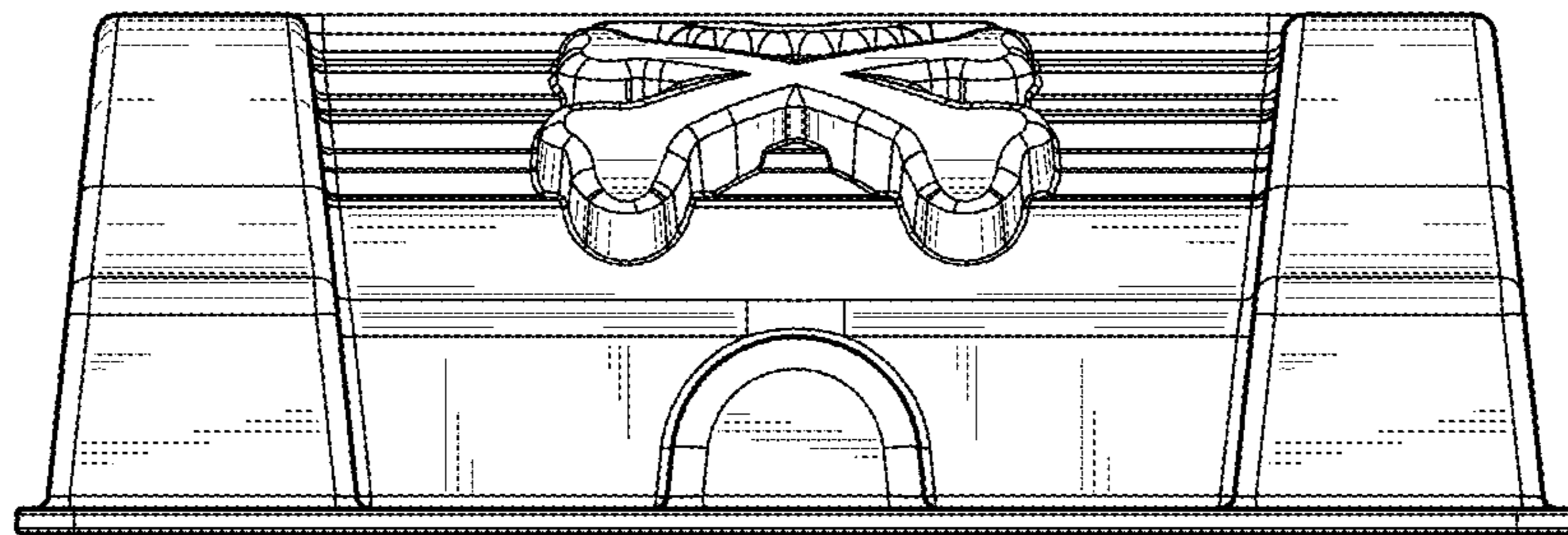


Fig. 5

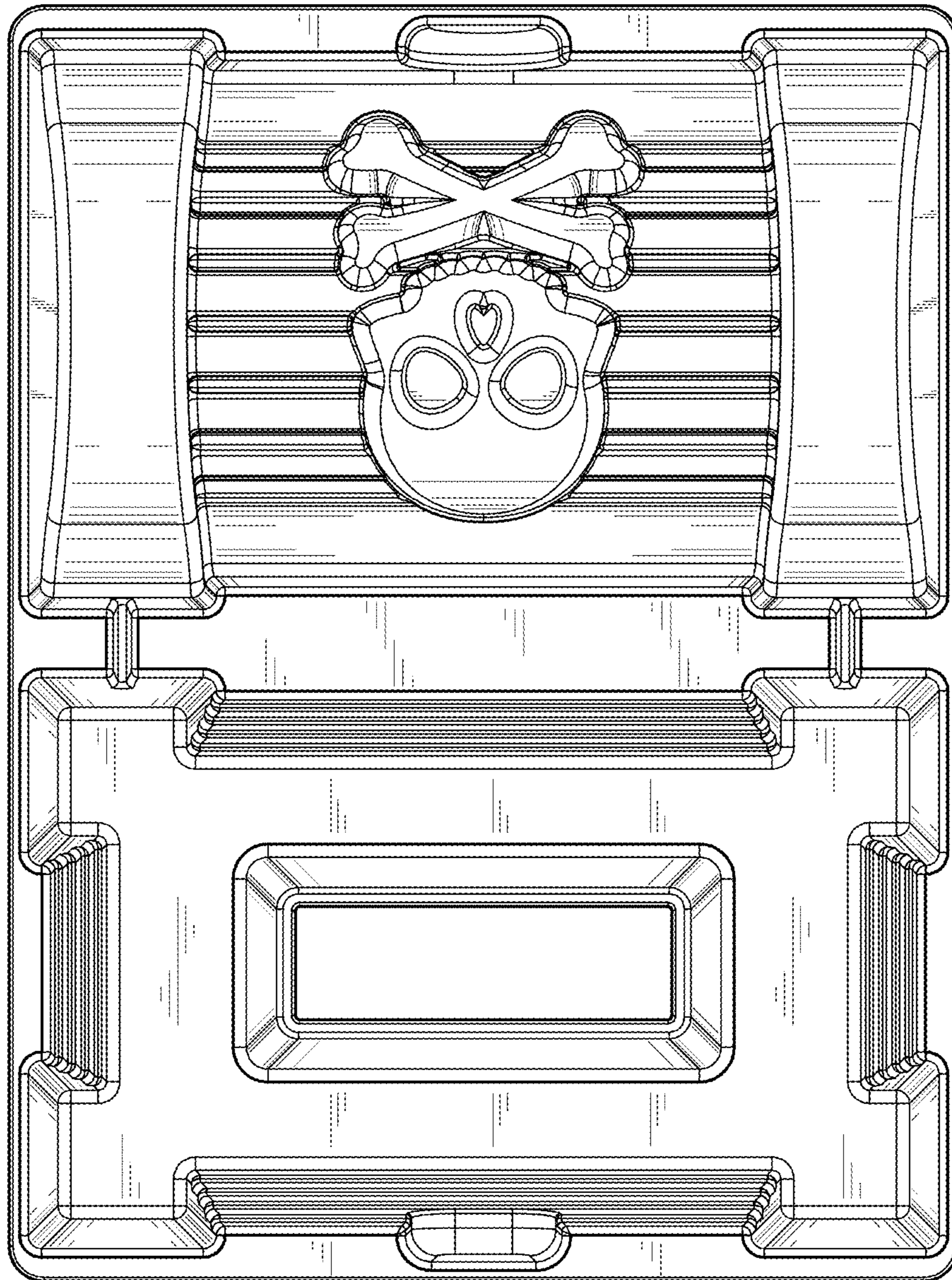


Fig. 6

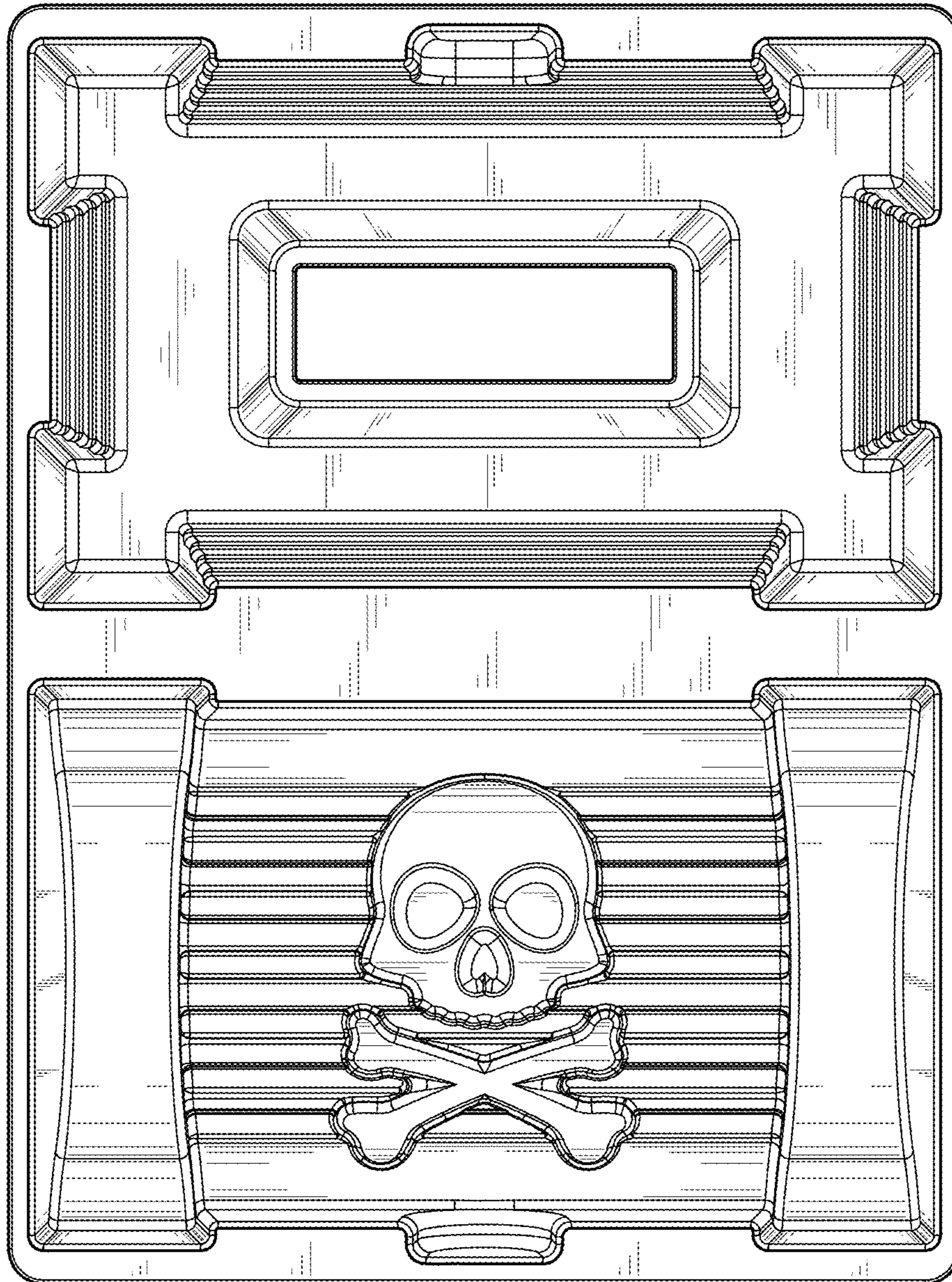


Fig. 7



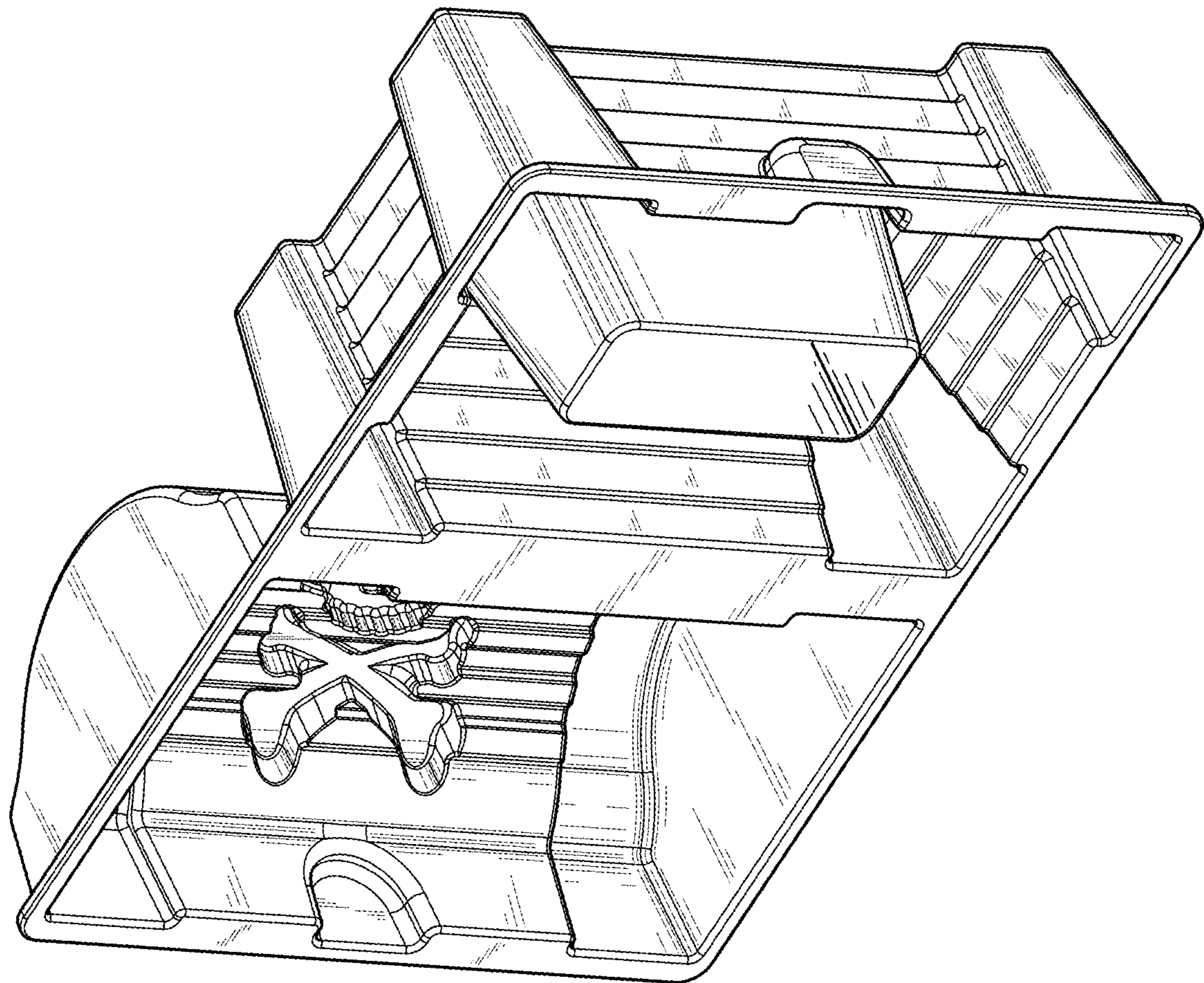


Fig. 8