



US00D871126S

(12) **United States Design Patent**
Vetter

(10) **Patent No.:** **US D871,126 S**

(45) **Date of Patent:** **** Dec. 31, 2019**

- (54) **COLLAPSIBLE GOLD PAN**
- (71) Applicant: **Steven Vetter**, Athens, GA (US)
- (72) Inventor: **Steven Vetter**, Athens, GA (US)
- (**) Term: **15 Years**
- (21) Appl. No.: **29/659,559**
- (22) Filed: **Aug. 9, 2018**

Related U.S. Application Data

- (63) Continuation-in-part of application No. 62/581,185, filed on Nov. 3, 2017.
- (51) **LOC (12) Cl.** **07-02**
- (52) **U.S. Cl.**
USPC **D7/354**
- (58) **Field of Classification Search**
USPC D7/323, 354-361, 409, 543, 545, 549, D7/550.1, 553.1-553.8, 554.1-554.4, 555, D7/584, 586; D9/430-433, 455-456, D9/737, 756-762; D15/21; D34/3
CPC A21B 3/00; A21B 3/13; A21B 3/15; A21B 3/131; A21B 3/134; A21B 5/00; A21B 5/02; A47J 36/022; A47J 36/025; A47J 36/027; A47J 37/00; A47J 37/01; A47J 37/04; B29C 33/20; B65D 1/22; B65D 1/24; B65D 1/34; B65D 1/36; B65D 7/26; B65D 81/343; B65D 85/36
See application file for complete search history.

(56) **References Cited**

U.S. PATENT DOCUMENTS

- 428,792 A * 5/1890 Wiley B29C 33/20
249/172
- 3,186,585 A * 6/1965 Denny B65D 7/26
206/511

- 3,828,966 A * 8/1974 Martin A47J 36/022
220/7
- 4,446,982 A * 5/1984 Corse A21B 3/13
220/512
- D474,064 S * 5/2003 Dover D7/354
- 6,684,760 B1 * 2/2004 Rajusth A21B 3/13
220/574
- 7,766,184 B2 * 8/2010 Avery A21B 3/131
206/557
- 9,016,493 B2 * 4/2015 Friedl A47J 37/01
220/573.1
- D728,630 S * 5/2015 Vetter D15/21
- D738,157 S * 9/2015 Krumm D7/354
- D822,931 S * 7/2018 Fisher D34/3

* cited by examiner

Primary Examiner — Ricky Pham

(74) *Attorney, Agent, or Firm* — Quickpatents, LLC; Kevin Prince

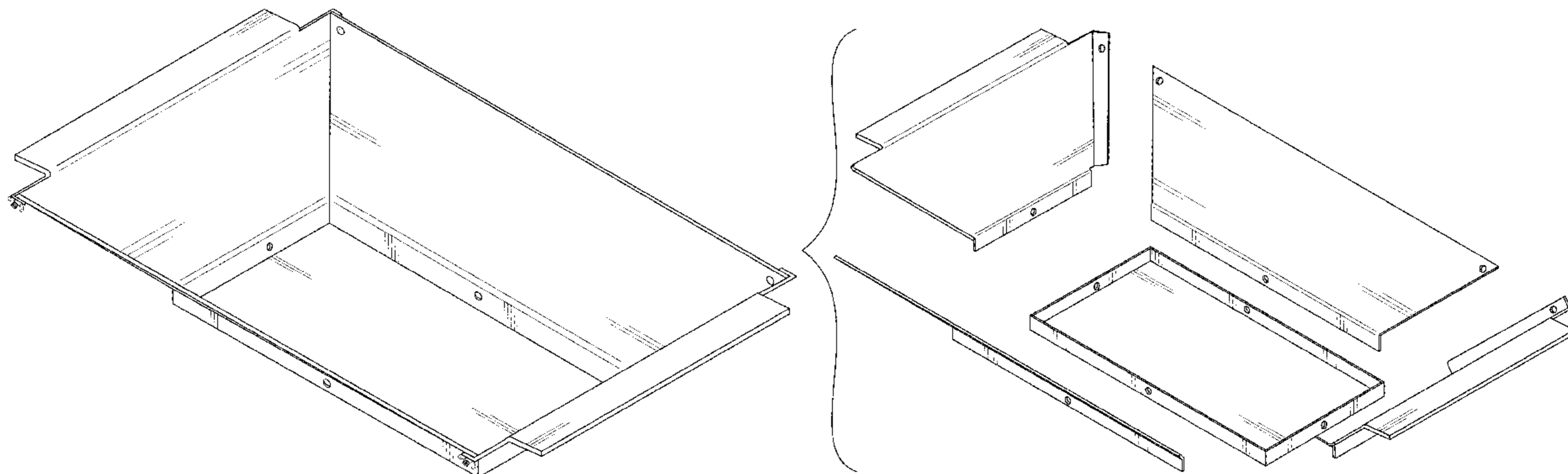
(57) **CLAIM**

I claim the ornamental design for a collapsible gold pan, as shown and described.

DESCRIPTION

FIG. 1 is a perspective view of a collapsible gold pan, showing my new design;
 FIG. 2 is an exploded perspective view thereof, illustrated without wing nuts and bolts for clarity of illustration;
 FIG. 3 is a left-side elevational view thereof, the right-side elevational view being a mirror image thereof;
 FIG. 4 is a front elevational view thereof, the rear elevational view being a mirror image thereof;
 FIG. 5 is a top plan view thereof; and,
 FIG. 6 is a bottom plan view thereof.

1 Claim, 4 Drawing Sheets



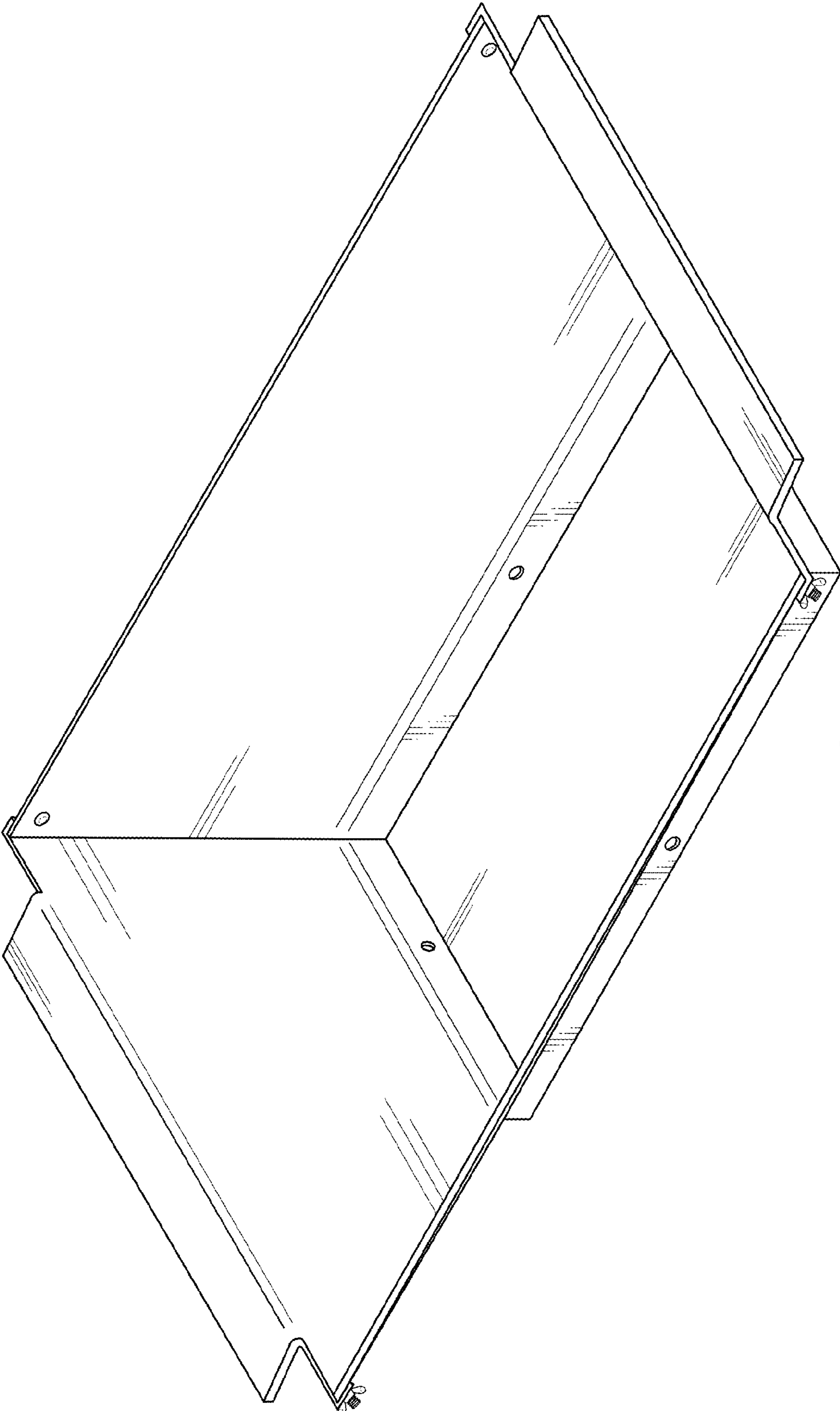


FIG. 1

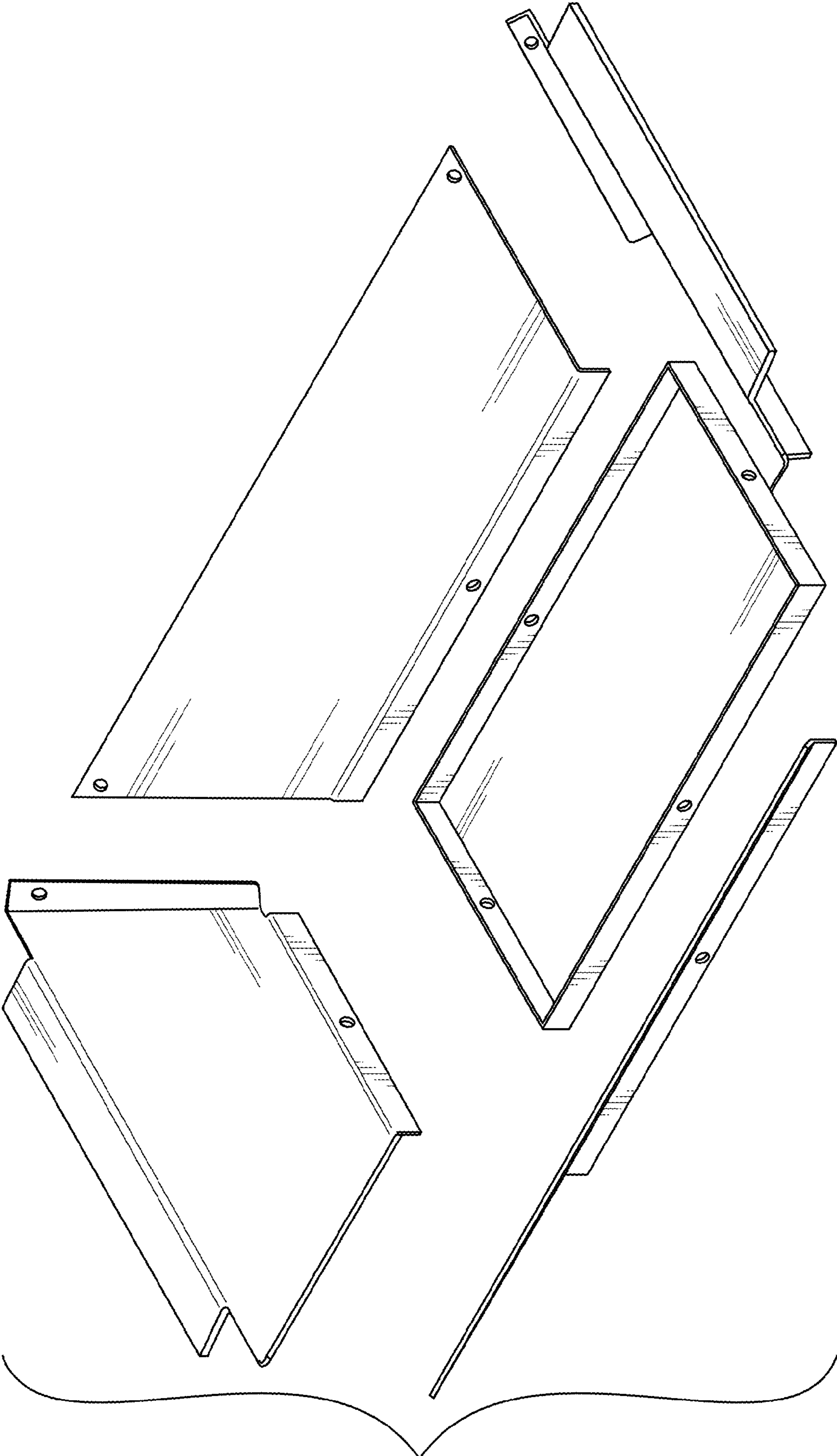


FIG. 2

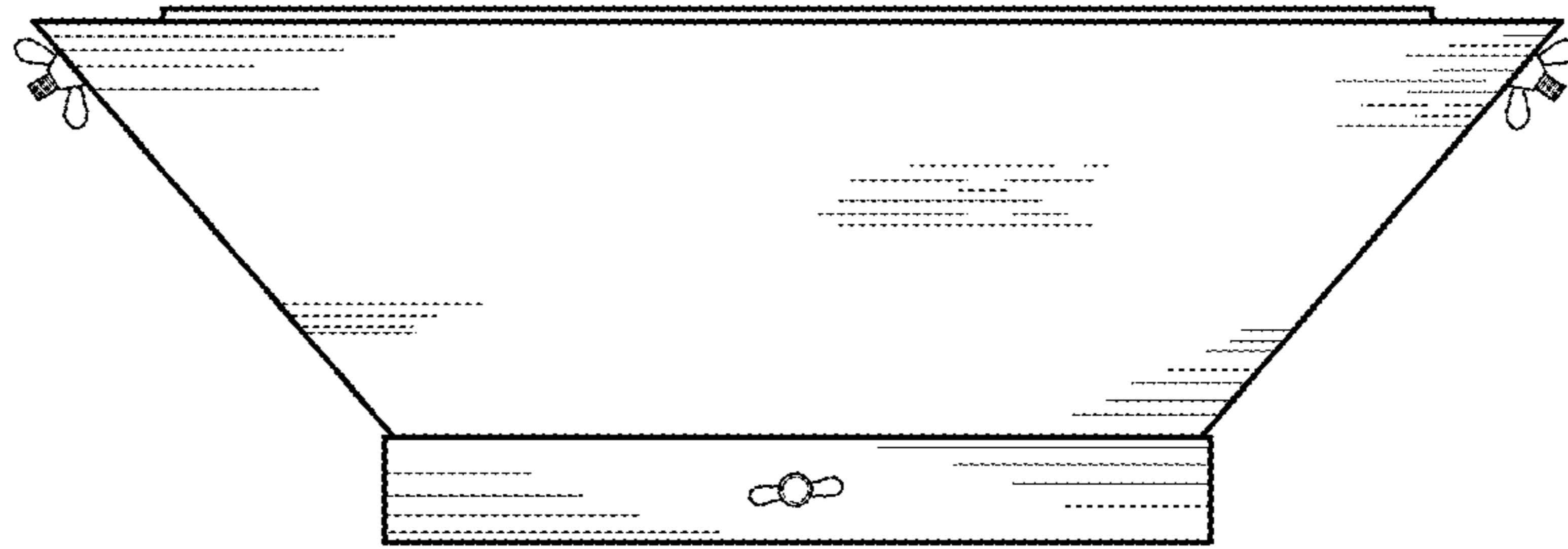


FIG. 3

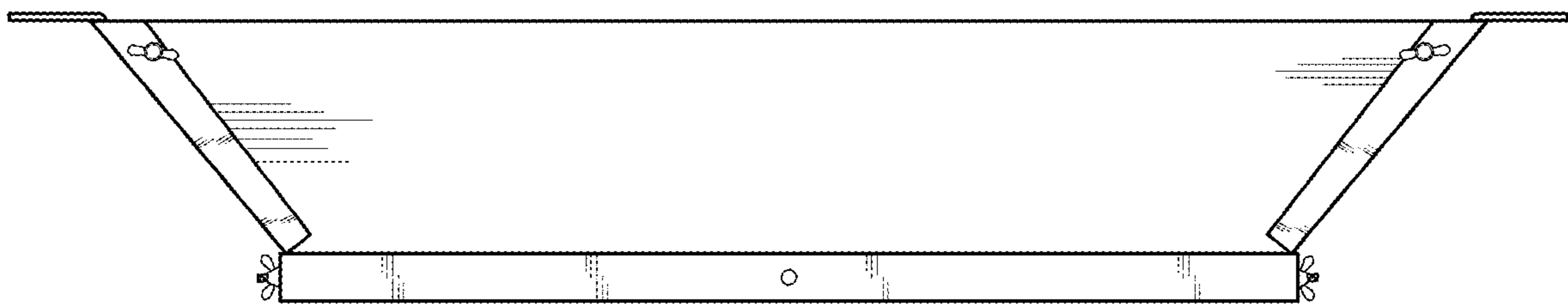


FIG. 4

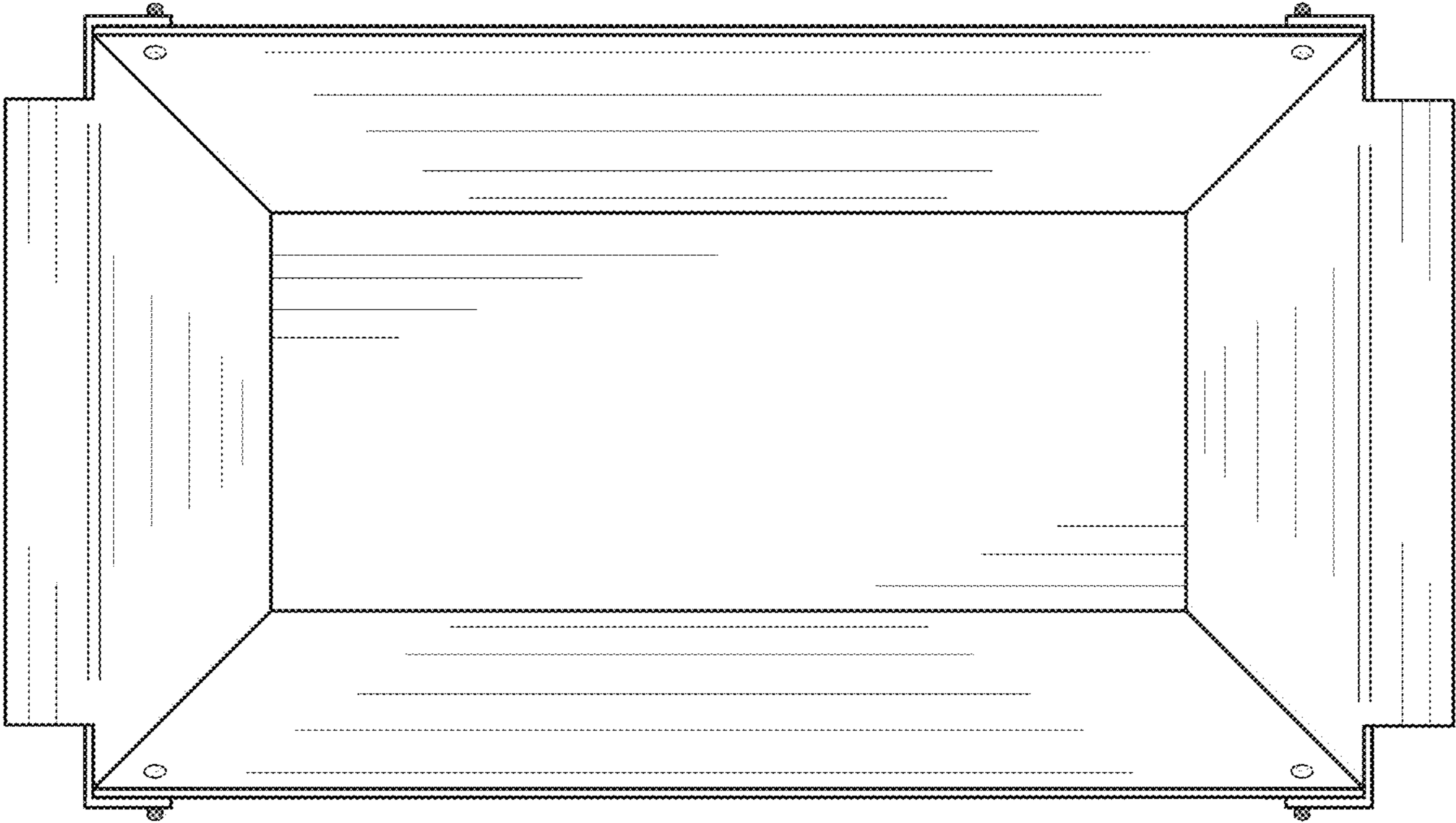


FIG. 5

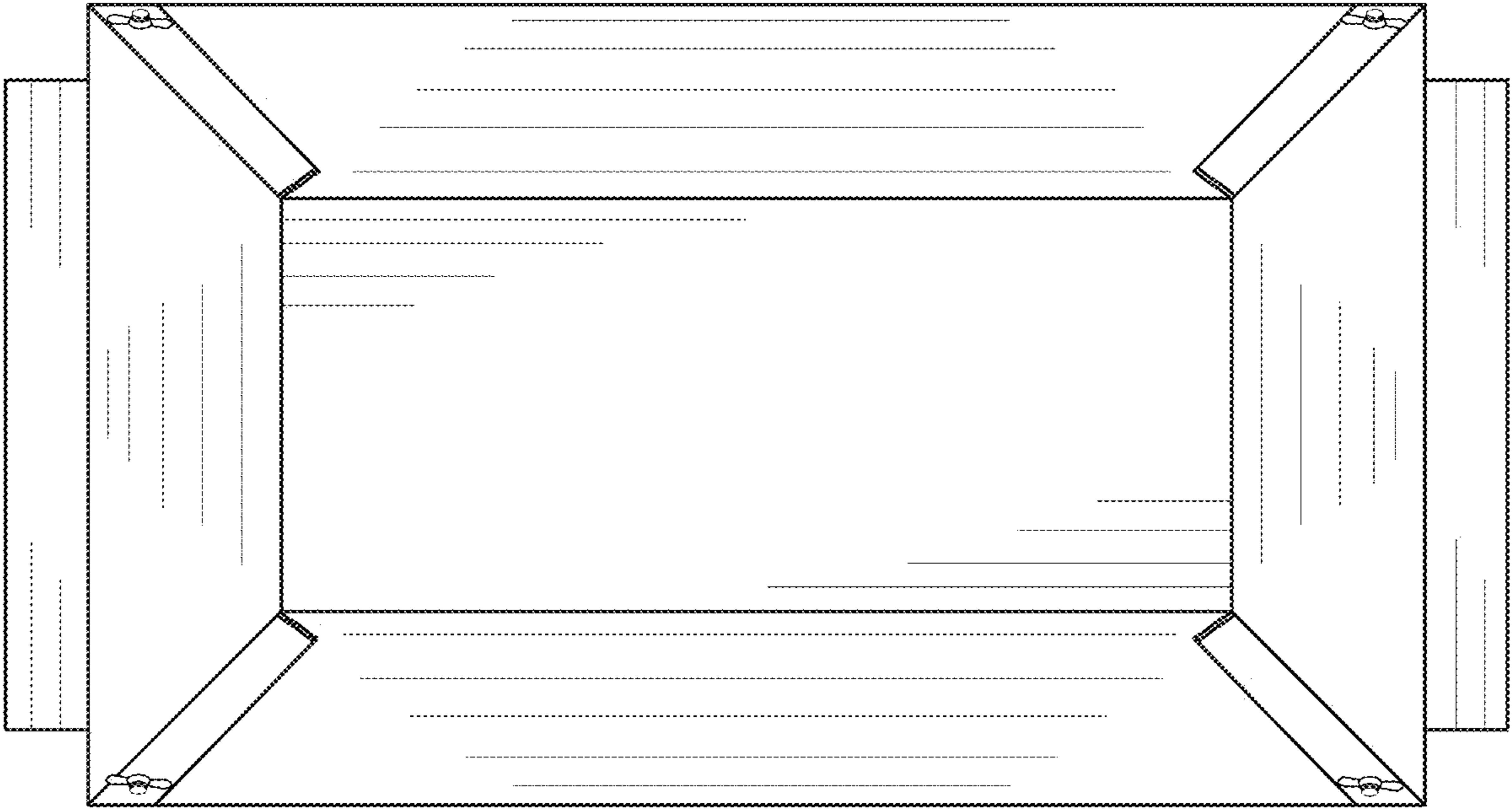


FIG. 6