



US00D871125S

(12) **United States Design Patent** (10) **Patent No.:** **US D871,125 S**
Hsieh (45) **Date of Patent:** **** Dec. 31, 2019**

(54) **COOKING DEVICE**
(71) Applicant: **Tsann Kuen (Zhangzhou) Enterprise Co., Ltd., Zhangzhou (CN)**
(72) Inventor: **Hao Hsing Hsieh, Tainan (TW)**
(73) Assignee: **Tsann Kuen (Zhangzhou) Co., Ltd., Zhang Zhou (CN)**
(**) Term: **15 Years**
(21) Appl. No.: **29/664,855**
(22) Filed: **Sep. 28, 2018**
(30) **Foreign Application Priority Data**

May 11, 2018 (CN) 2018 3 0213499
(51) **LOC (12) Cl.** **07-02**
(52) **U.S. Cl.**
USPC **D7/352**
(58) **Field of Classification Search**
USPC D7/323, 328-330, 337, 347, 352-364,
D7/367, 402, 409-411; D21/525
CPC . A21B 5/023; A47J 27/04; A47J 27/60; A47J
27/62; A47J 37/04; A47J 37/06; A47J
37/067; A47J 37/0605; A47J 37/0611;
A47J 37/0623; A47J 37/0629; A47J
37/0641; A47J 37/0676; A47J 2037/06;
A47J 2037/0611; F24C 15/10; F24C
15/102; H05B 6/02; H05B 6/062
See application file for complete search history.

(56) **References Cited**
U.S. PATENT DOCUMENTS
D380,504 S * 7/1997 Yang D21/525
D509,989 S * 9/2005 Steinberg D7/352

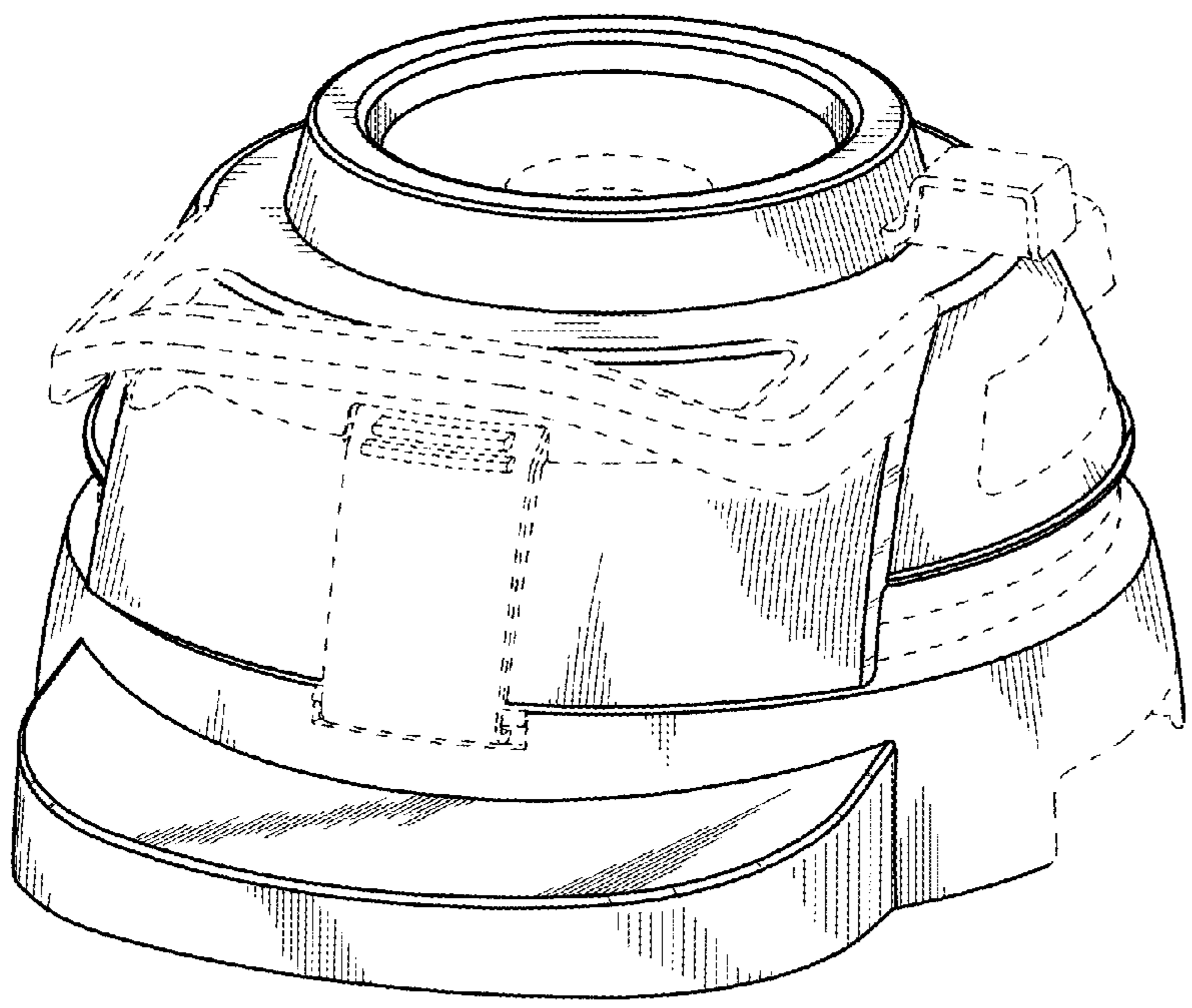
D651,456 S * 1/2012 Moon A47J 37/0641
D7/402
D693,643 S * 11/2013 Moon A47J 27/04
D7/402
D706,569 S * 6/2014 Fung A47J 37/0641
D7/352
D743,201 S * 11/2015 Aderka D7/354
D750,415 S * 3/2016 Marsh-Croft D7/352
D755,002 S * 5/2016 Garman D7/352
D790,906 S * 7/2017 Zhu D7/352
D859,057 S * 9/2019 Chang D7/352
2018/0325313 A1* 11/2018 De' Longhi A47J 37/0641
2019/0045973 A1* 2/2019 Gill A47J 27/04
2019/0069719 A1* 3/2019 Huang A47J 37/0641

* cited by examiner
Primary Examiner — Ricky Pham
(74) *Attorney, Agent, or Firm* — Wang Law Firm, Inc.

(57) **CLAIM**
The ornamental design for a cooking device, as shown and described.

DESCRIPTION
FIG. 1 is a front view of a cooking device showing my new design;
FIG. 2 is a rear view thereof;
FIG. 3 is a left side view thereof;
FIG. 4 is a right side view thereof;
FIG. 5 is a top plan view thereof;
FIG. 6 is a bottom plan view thereof; and,
FIG. 7 is a perspective view thereof.
The broken lines shown in the drawing depict portions of the cooking device that form no part of the claimed design.

1 Claim, 7 Drawing Sheets



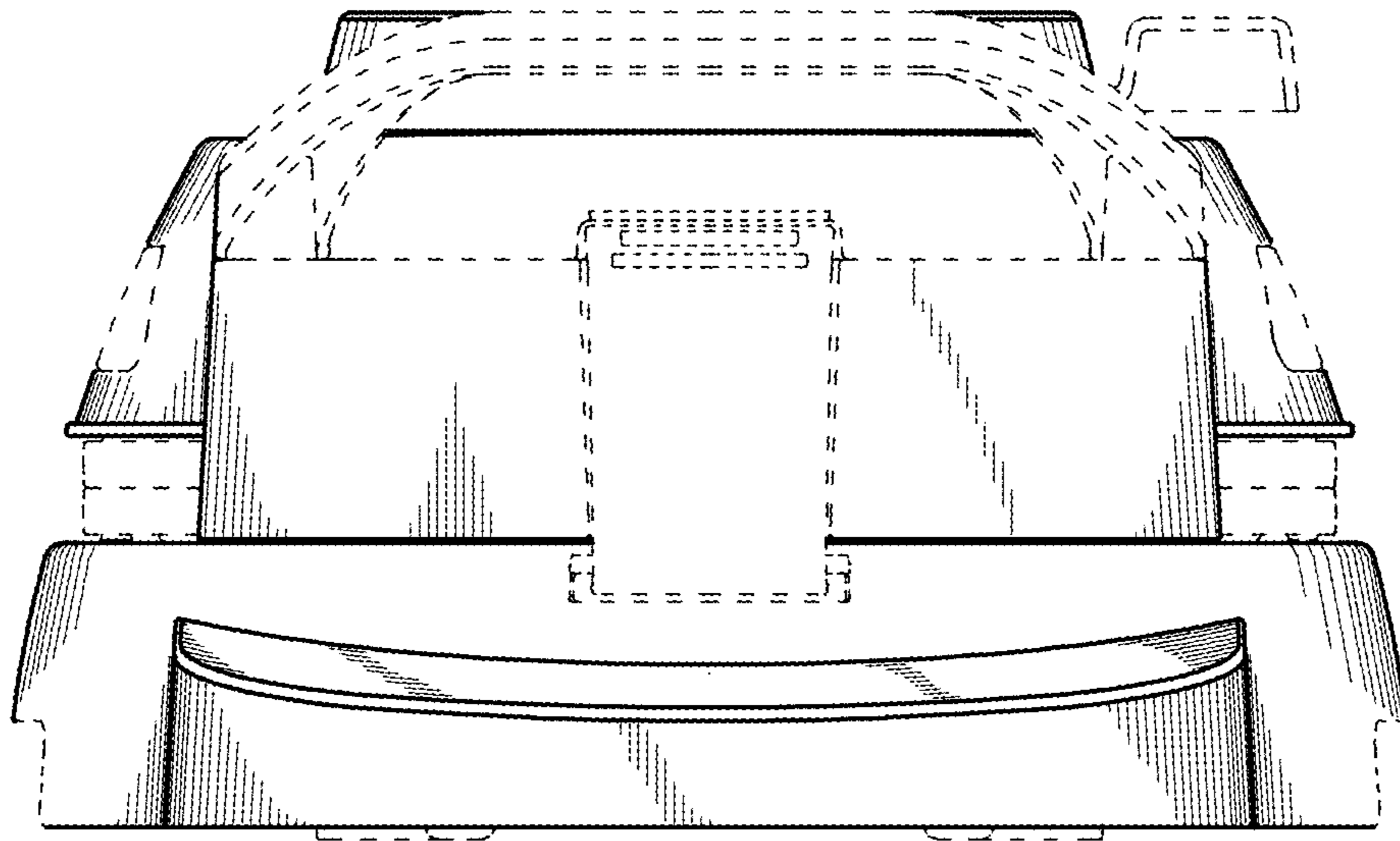


FIG.1

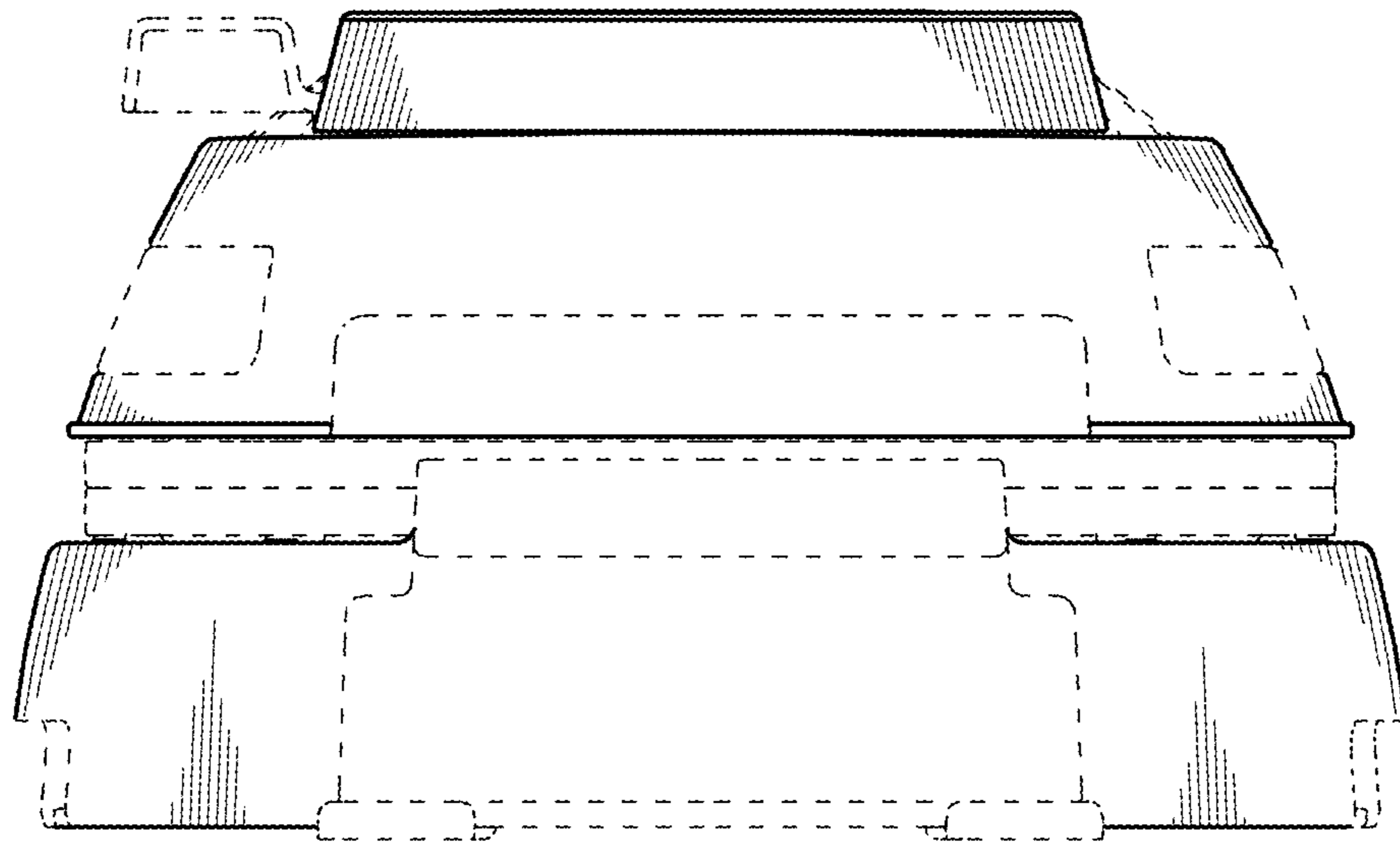


FIG.2

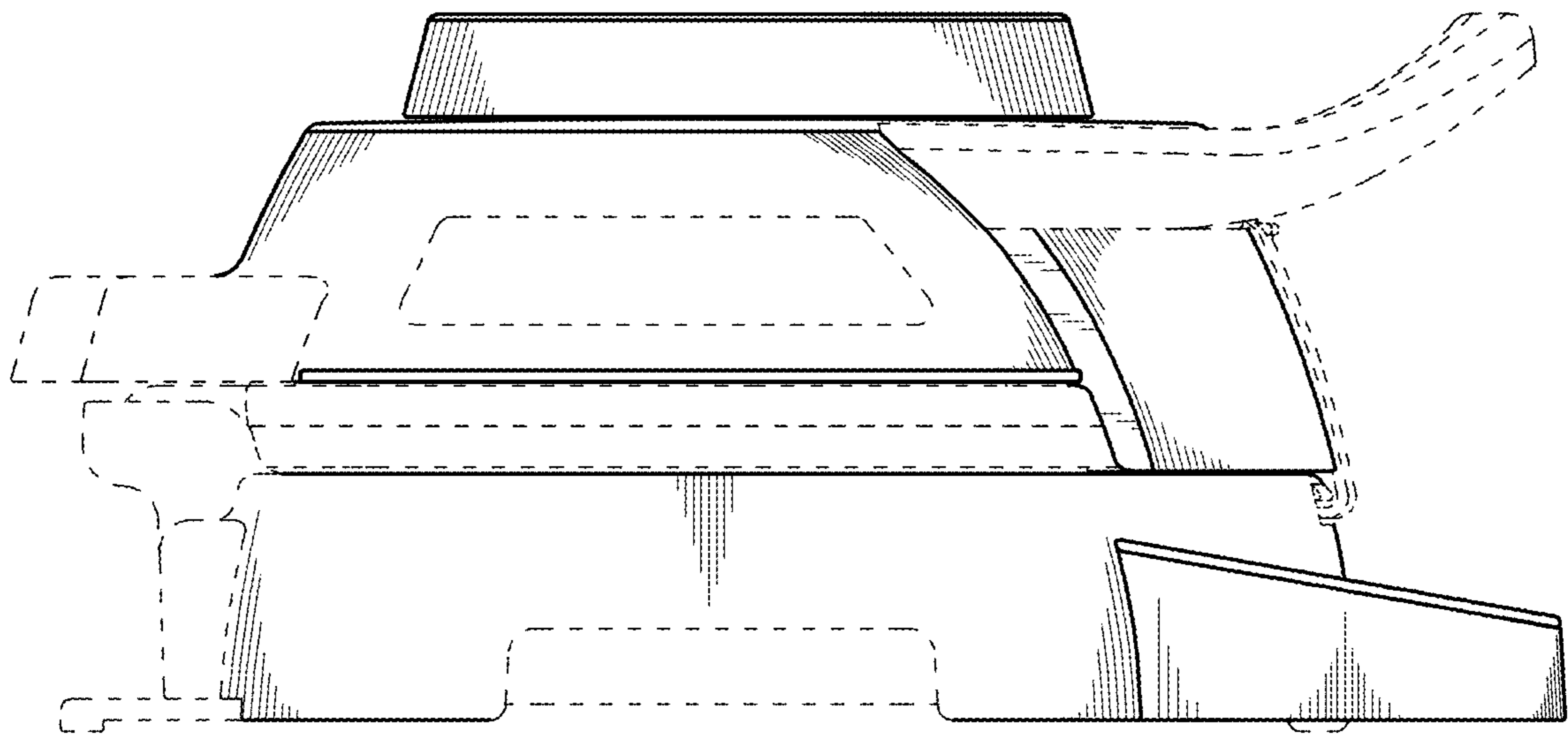


FIG.3

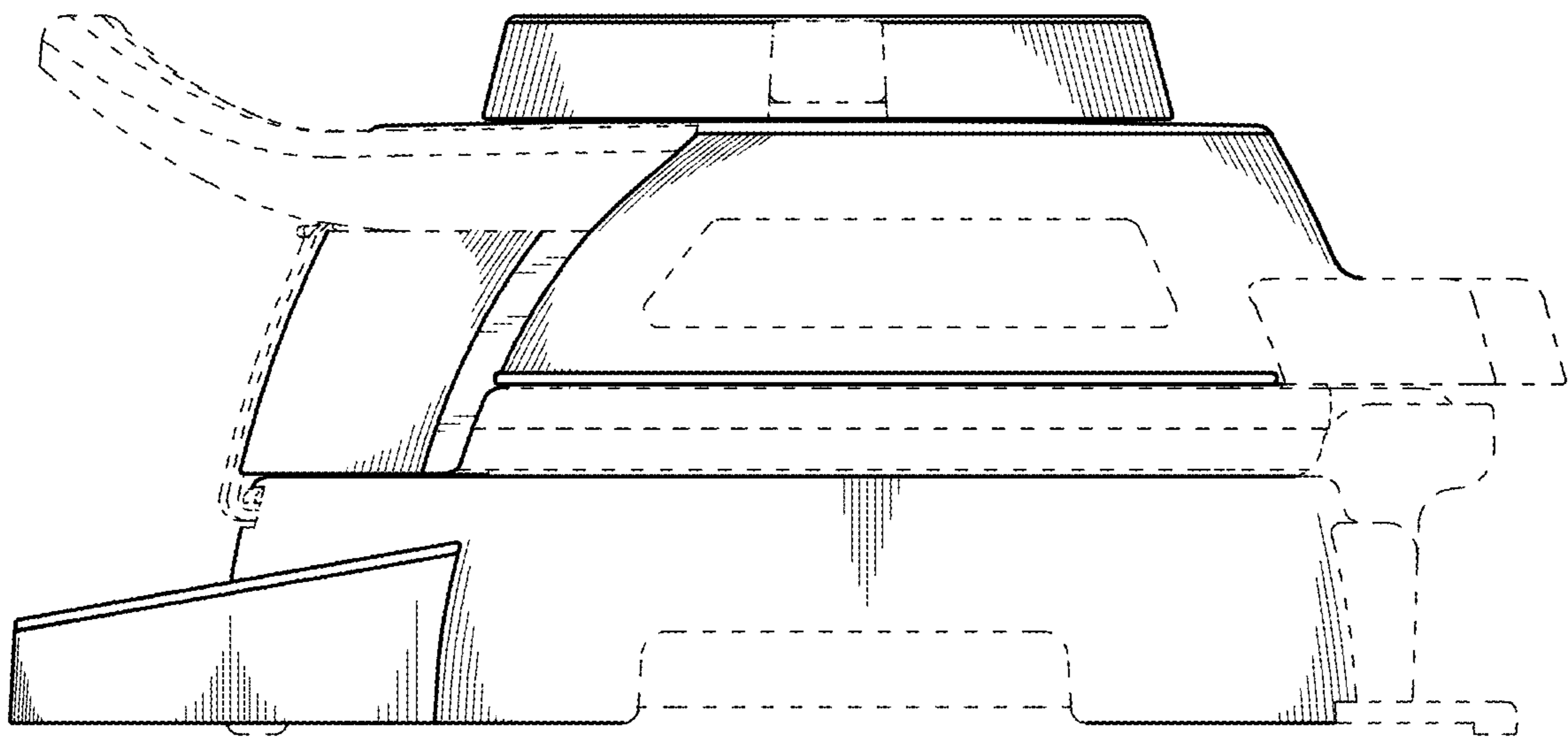


FIG.4

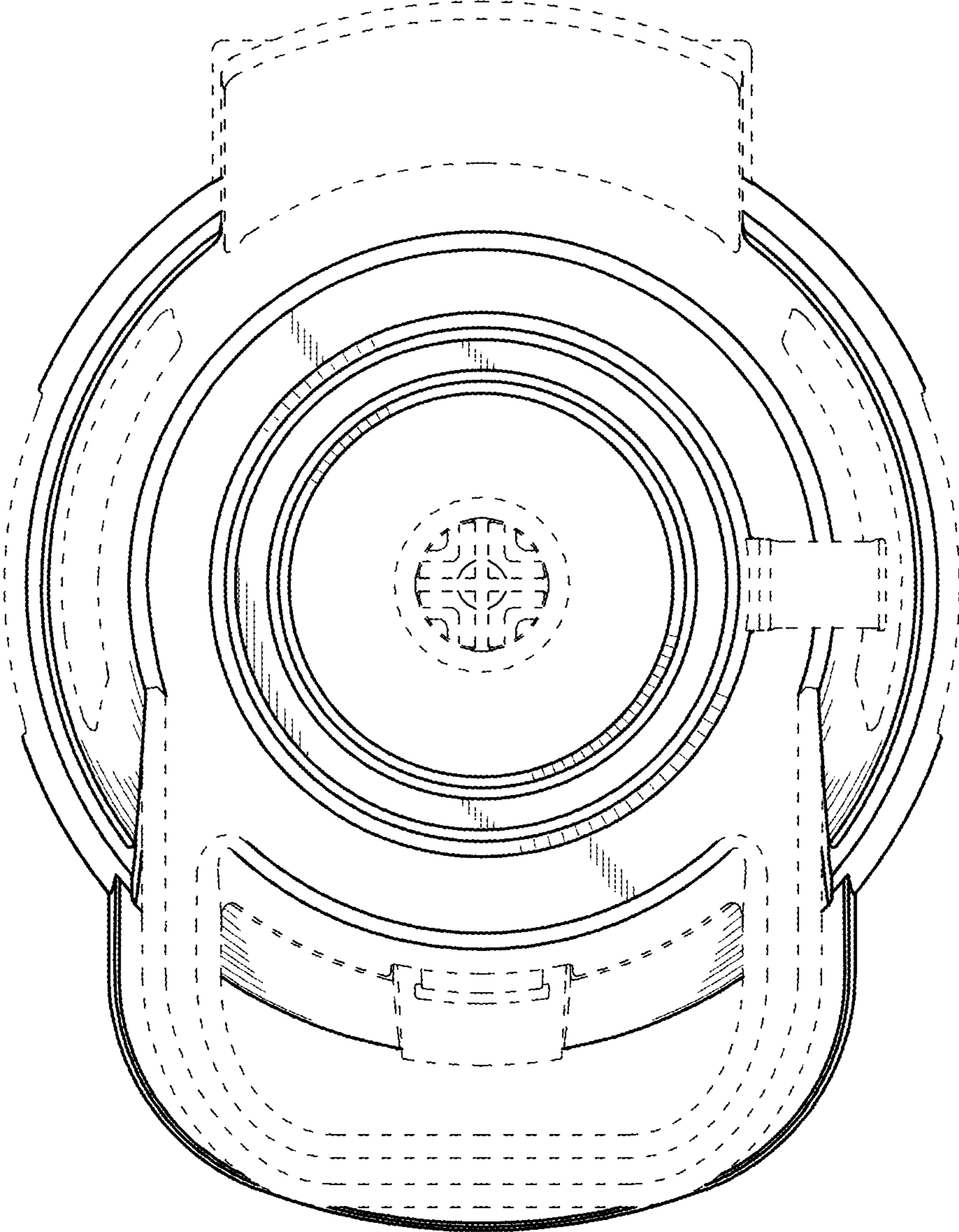


FIG.5

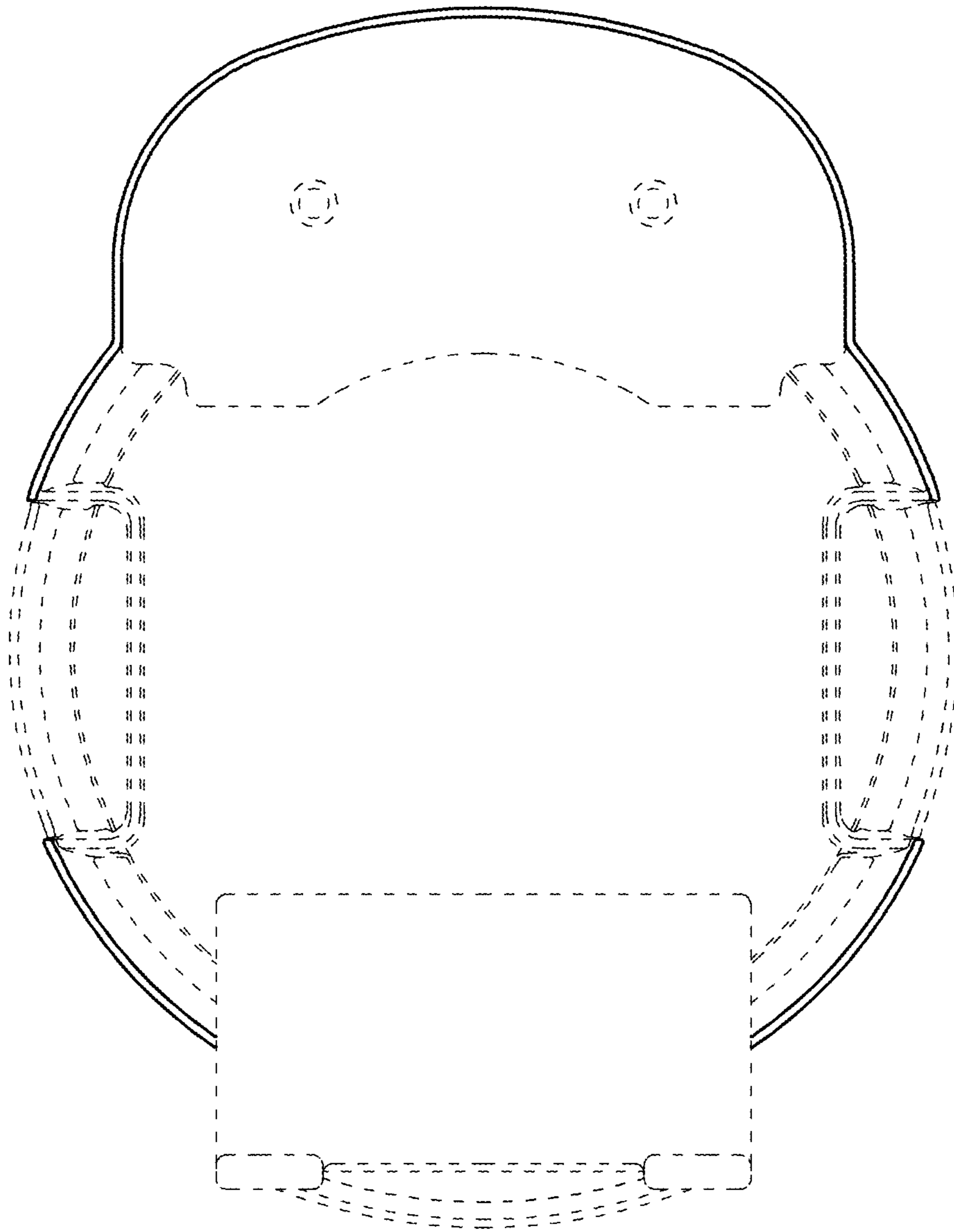


FIG.6

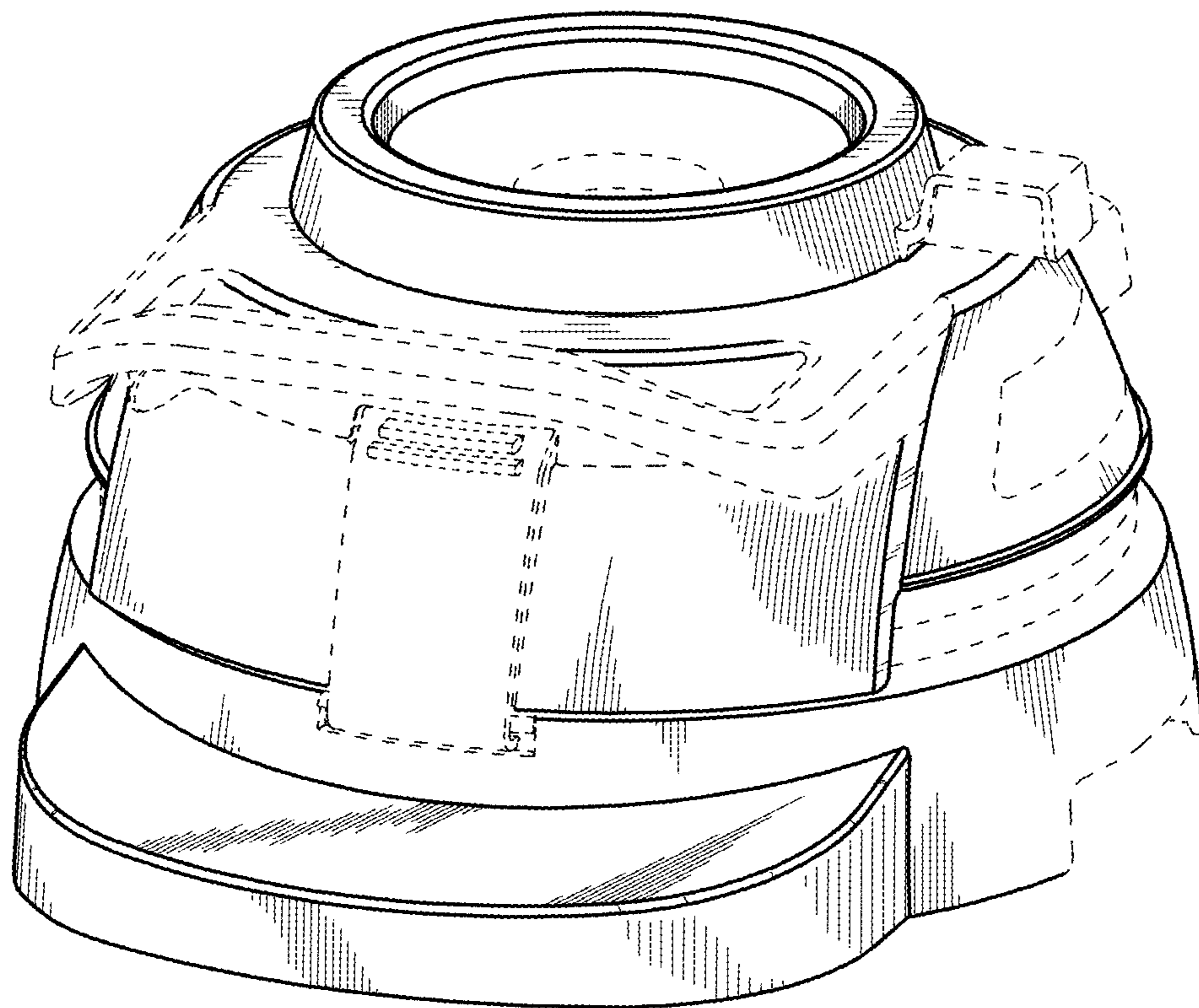


FIG.7