



US00D871124S

(12) **United States Design Patent** (10) **Patent No.:** **US D871,124 S**
Winn et al. (45) **Date of Patent:** **** Dec. 31, 2019**

(54) **SHAKABLE CONTAINER WITH AN AGITATOR**

915,577 A 3/1909 Farmer
1,060,419 A 4/1913 Benjamin
1,116,988 A 11/1914 Burke
1,201,284 A 10/1916 Gilchrist
1,208,862 A 12/1916 Velissarides

(Continued)

(71) Applicant: **TRIMR, LLC**, Draper, UT (US)

(72) Inventors: **Travis Winn**, Draper, UT (US); **Gary Moore**, Salt Lake City, UT (US); **Kasey Kershaw**, Salt Lake City, UT (US)

FOREIGN PATENT DOCUMENTS

CN 101227850 7/2008
CN 101801250 8/2010

(Continued)

(73) Assignee: **TRIMR, LLC**, Draper, UT (US)

(**) Term: **15 Years**

OTHER PUBLICATIONS

(21) Appl. No.: **29/661,153**

U.S. Appl. No. 29/581,484, filed Oct. 19, 2016, Winn.

(Continued)

(22) Filed: **Aug. 24, 2018**

Related U.S. Application Data

Primary Examiner — Jae Liang

(74) *Attorney, Agent, or Firm* — Workman Nydegger

(63) Continuation of application No. 29/581,484, filed on Oct. 19, 2016, now Pat. No. Des. 828,079, which is a continuation of application No. 13/662,169, filed on Oct. 26, 2012, now Pat. No. 9,643,141.

(57) **CLAIM**

The ornamental design for a shakable container with an agitator, as shown and described.

(51) **LOC (12) Cl.** **07-99**
(52) **U.S. Cl.**

USPC **D7/300.2**; D7/396.2; D7/397

(58) **Field of Classification Search**

DESCRIPTION

USPC D7/507, 509, 510, 511, 392.1, 396.2, D7/400, 398, 213, 393, 394, 397, 514, D7/515, 389, 581, 401.1, 602, 600.1, 690, D7/688, 300.2, 399, 300.1; 220/200, 703; D9/434, 435, 436, 447, 448, 635, 440, D9/439, 450, 446, 443

CPC B65D 41/56; B65D 41/04; B65D 41/0414; A47J 43/27; A45F 3/16; B01F 13/005; B01F 13/0022

See application file for complete search history.

FIG. 1 is a front view of a shakable container with an agitator according to the present invention; FIG. 2 is a rear view of the shakable container with an agitator as shown in FIG. 1; FIG. 3 is a perspective view of the shakable container with an agitator as shown in FIG. 1; FIG. 4 is a first side view of the shakable container with an agitator as shown in FIG. 1; and, FIG. 5 is a second side view of the shakable container with an agitator as shown in FIG. 1.

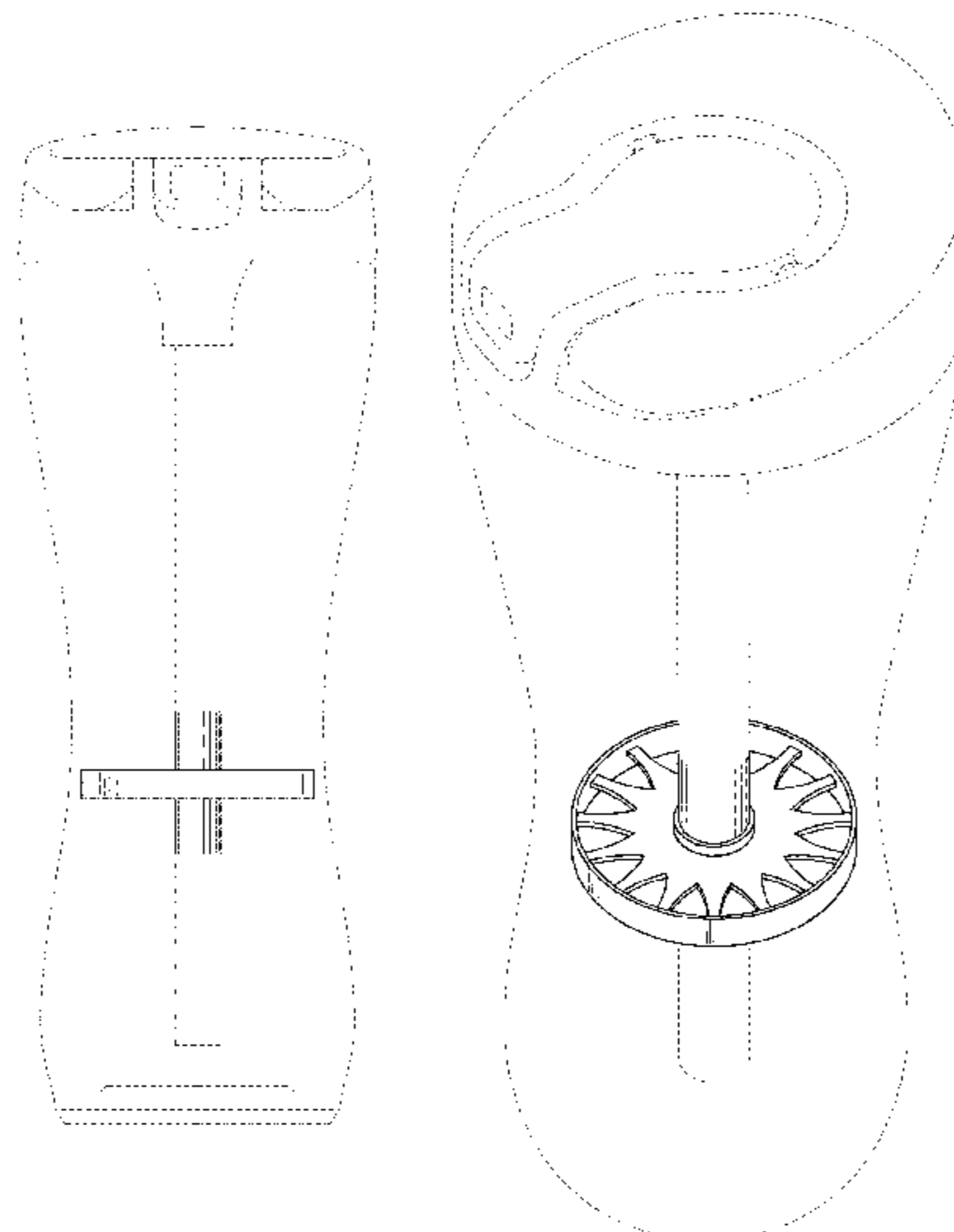
The broken lines in the drawings depict portions of the shakable container with an agitator that form no part of the claimed design.

(56) **References Cited**

U.S. PATENT DOCUMENTS

370,861 A 10/1887 Drum
395,303 A 12/1888 Muchner

1 Claim, 3 Drawing Sheets



US D871,124 S

(56)

References Cited

U.S. PATENT DOCUMENTS

1,649,874 A	11/1926	Munro		6,109,538 A	8/2000	Villani et al.	
1,963,055 A	8/1933	Powers		6,135,017 A	10/2000	Wang	
2,040,648 A	5/1936	Fortes		6,136,189 A *	10/2000	Smith	C02F 1/002 210/266
2,136,755 A *	11/1938	Prince	A47G 19/2211 210/464	6,158,722 A	12/2000	Gigas	
2,382,222 A	3/1944	Havas		6,250,797 B1	6/2001	Weetman	
2,357,063 A *	8/1944	Swing	A47G 19/2211 210/469	D447,693 S	9/2001	Warner	
D140,707 S	4/1945	Gisson		6,379,032 B1	4/2002	Sorensen	
2,520,818 A	12/1947	Terry		6,403,137 B1	6/2002	Frutin	
2,484,391 A	10/1949	Treiss		6,419,898 B1	7/2002	Flashinski	
2,613,107 A	10/1952	Hartnett		6,482,451 B1	11/2002	Baron	
2,776,120 A	4/1954	Terrett		D468,207 S *	1/2003	Brown	D9/435
2,744,631 A *	5/1956	Toombs	A47G 19/2211 210/469	6,523,711 B1	2/2003	Hughes	
2,766,022 A	10/1956	Bender		D471,667 S *	3/2003	Angeletta	D28/7
2,793,012 A	5/1957	Wolf		D476,522 S *	7/2003	Renz	D7/376
D181,143 S	10/1957	Gundelfinger		6,600,255 B1	7/2003	Kai	
2,922,628 A	1/1960	Koe		6,609,624 B2	8/2003	Goto	
3,111,846 A	11/1963	Callanen		D479,094 S *	9/2003	Ancona	D7/213
3,116,770 A	1/1964	Kazuo		D479,783 S *	9/2003	Ancona	D7/213
3,136,532 A	6/1964	Rudnick		D479,956 S	9/2003	Bellander	
3,309,980 A *	3/1967	Bozek	B65D 85/8043 99/295	D487,862 S	3/2004	Tincher	
3,315,405 A	4/1967	Hoffer		D488,339 S	4/2004	Lee	
3,343,682 A *	9/1967	Harvith	A47J 31/446 210/477	6,783,019 B2	8/2004	Zettle	
D223,854 S *	6/1972	Swett	D7/392.1	D496,768 S	9/2004	Izumoto	
3,805,991 A *	4/1974	Cheladze	B65D 43/0208 220/373	D498,701 S	11/2004	Libuda	
3,940,012 A *	2/1976	Addington	A47G 19/2211 220/719	D502,223 S	2/2005	Kaplan	
4,065,107 A *	12/1977	Van Horbek	A47J 43/1068 366/129	6,896,246 B2	5/2005	Weetman	
4,081,057 A	3/1978	Corradini		6,922,943 B1	8/2005	Paille	
4,134,494 A	1/1979	Wong		D510,678 S	10/2005	Krasne	
4,408,690 A	10/1983	Ferrero		7,089,878 B2	8/2006	Huang	
4,472,063 A	9/1984	Eickelmann		D527,959 S	9/2006	Fung	
4,575,255 A	3/1986	Kafka		D529,526 S	10/2006	Gringer	
D289,848 S *	5/1987	Cowan	D7/387	D533,107 S	12/2006	King	
4,737,036 A	4/1988	Offtermann		D541,601 S	5/2007	Fung	
4,818,114 A *	4/1989	Ghavi	A47J 43/27 215/11.1	D542,102 S	5/2007	Cheung	
4,911,315 A	3/1990	Shrum		D547,607 S	7/2007	Forsman	
4,930,652 A	6/1990	Murphy		D557,978 S	12/2007	Bodum	
5,065,909 A	11/1991	Pino		D559,034 S	1/2008	Bodum	
5,158,434 A	10/1992	Weetman		7,354,225 B1	4/2008	Cohen	
D331,150 S	11/1992	Hartel		D568,203 S	5/2008	Lindberg	
5,228,521 A	7/1993	Sing		D571,610 S *	6/2008	Bodum	D7/397
5,249,702 A	10/1993	Topp		7,387,283 B2	6/2008	Franczyk	
5,326,168 A	7/1994	Miura		7,427,355 B2 *	9/2008	Chau	C02F 1/002 210/223
5,336,536 A	8/1994	Oberzan		7,441,941 B2	10/2008	Vernon	
5,337,918 A	8/1994	Wang		7,445,823 B2	11/2008	Tennison	
5,393,258 A	2/1995	Karterman		D582,223 S	12/2008	Vendl	
D362,793 S	10/1995	Khan		D585,708 S	2/2009	Gransbury	
5,461,968 A *	10/1995	Portman	A47J 31/20 99/287	D587,643 S	3/2009	Slagel	
D367,998 S	3/1996	Graw		D589,873 S	4/2009	Banks	
5,509,605 A	4/1996	Cripe		7,533,783 B2	5/2009	Choi	
D370,051 S *	5/1996	Samson	D23/209	D594,593 S	6/2009	Ohmori	
D372,624 S	8/1996	Chein		D611,764 S	3/2010	Wahl	
D373,291 S *	9/1996	Auker	D7/667	D613,559 S	4/2010	Goodman	
D375,229 S	11/1996	DiBella		D620,752 S	8/2010	Daniels	
5,695,282 A *	12/1997	Hess	A47J 43/27 366/256	D626,838 S	11/2010	Meyers	
5,718,681 A	2/1998	Manning		7,849,785 B1	12/2010	Saha	
5,791,780 A	8/1998	Bakker		D632,908 S	2/2011	Tincher	
D404,074 S	1/1999	Sarriugarte		D642,434 S	8/2011	Schofield	
5,873,478 A	2/1999	Sullivan		D647,366 S	10/2011	Enghard	
5,908,126 A	6/1999	Wang		D649,389 S *	11/2011	Bickert	D7/300.2
5,915,600 A	6/1999	Bitton		D649,709 S	11/2011	Loman	
5,939,122 A	8/1999	Brady		D650,225 S	12/2011	Bartol	
D413,480 S	9/1999	Joergensen		D653,081 S	1/2012	George	
6,048,590 A	4/2000	Phillips		D655,967 S	3/2012	Bodum	
				D656,280 S	3/2012	St. Clair	
				D656,787 S	4/2012	Philips	
				D657,159 S	4/2012	Rosaen	
				8,182,683 B1	5/2012	Allen	
				8,191,727 B2	6/2012	Davies	
				D664,262 S	7/2012	Khan	
				D664,392 S	7/2012	Enghard	
				8,230,777 B2	7/2012	Anson et al.	
				D665,222 S	8/2012	Cerasani	
				8,277,114 B2 *	10/2012	Higbee	B01F 3/04539 366/270
				D670,966 S *	11/2012	Haverstock	D7/399
				8,318,011 B2	11/2012	O'Brien et al.	
				8,334,003 B2	12/2012	Baron	

(56)

References Cited

U.S. PATENT DOCUMENTS

D675,110 S 1/2013 Myers
 D676,278 S 2/2013 Wong
 D676,280 S 2/2013 Wong
 8,376,173 B2 2/2013 Britto
 8,414,180 B1 4/2013 Mattingly
 D681,690 S 5/2013 Xia
 D682,034 S 5/2013 El-Saden
 8,439,205 B1 5/2013 Nohren, Jr.
 8,464,633 B2 6/2013 Anson et al.
 8,469,226 B2 6/2013 Davies
 D685,606 S 7/2013 Keys
 D687,259 S * 8/2013 Hauser D7/376
 8,505,783 B2 8/2013 Gill
 D700,807 S * 3/2014 Kershaw D7/510
 D702,488 S * 4/2014 Goodman D7/387
 D704,986 S 5/2014 Manies
 D705,499 S 5/2014 Zamarripa
 8,800,980 B2 8/2014 Sawai
 8,822,209 B2 9/2014 Oldenburg
 D729,569 S 5/2015 Herbst
 D736,559 S 8/2015 Enghard
 9,120,063 B2 9/2015 Knauer
 D742,174 S * 11/2015 Roth D7/300.2
 D745,827 S 12/2015 Sorensen
 D746,883 S * 1/2016 Strommer D15/138
 D762,028 S * 7/2016 Rodrigues D32/26
 D766,658 S 9/2016 Strommer
 D767,328 S 9/2016 Boroski
 9,643,141 B2 * 5/2017 Kershaw B01F 13/0022
 D799,888 S * 10/2017 McClory D7/375
 D799,889 S * 10/2017 McClory D7/375
 D799,890 S * 10/2017 McClory D7/375
 D804,247 S * 12/2017 Winn D7/412
 9,839,888 B2 12/2017 Kershaw
 D808,216 S * 1/2018 Holowaychuk D7/412
 D809,856 S 2/2018 Winn
 D830,174 S * 10/2018 Takezawa D9/450
 10,104,994 B2 * 10/2018 Rage B01F 3/1221
 D842,999 S * 3/2019 Fleury D24/197
 D843,210 S * 3/2019 Friedman D9/436
 D843,215 S * 3/2019 Steigelman D9/453
 2001/0025825 A1 10/2001 Therber
 2002/0040909 A1 4/2002 Goto
 2002/0048215 A1 4/2002 McGill
 2004/0069783 A1 4/2004 Chen
 2005/0263006 A1 12/2005 Saha
 2006/0180593 A1 8/2006 White
 2006/0226110 A1 10/2006 Choi
 2006/0237489 A1 10/2006 De Lataulade
 2006/0250887 A1 * 11/2006 Vernon A47J 43/10
 366/130
 2007/0211562 A1 9/2007 Pitsis
 2007/0241116 A1 * 10/2007 Fripps A45F 3/16
 220/603
 2008/0080299 A1 4/2008 Takumah
 2008/0099968 A1 5/2008 Schroeder
 2008/0128529 A1 6/2008 Fernandez
 2008/0187628 A1 8/2008 Champion et al.
 2008/0259723 A1 * 10/2008 Rhodes A47J 43/1018
 366/247
 2009/0026218 A1 1/2009 Wong
 2009/0052276 A1 * 2/2009 Grieb B01F 11/0082
 366/343
 2010/0127005 A1 5/2010 Sanbrook
 2010/0170902 A1 7/2010 Britto
 2010/0181329 A1 7/2010 Davies
 2010/0302897 A1 12/2010 George
 2010/0308046 A1 12/2010 Serra
 2011/0026360 A1 2/2011 Greller
 2011/0058447 A1 3/2011 Reif
 2011/0058448 A1 3/2011 Reif
 2011/0059216 A1 3/2011 Takumah
 2011/0210132 A1 9/2011 Enghard
 2012/0301579 A1 11/2012 Lee et al.
 2012/0325835 A1 12/2012 Merino

2012/0327740 A1 * 12/2012 Choo B01F 7/00208
 366/306
 2013/0010568 A1 1/2013 Bodum
 2013/0087571 A1 4/2013 Yao
 2013/0126527 A1 5/2013 Chiu
 2013/0201783 A1 * 8/2013 Stewart B01F 13/0022
 366/130
 2013/0295232 A1 11/2013 Baron
 2013/0305993 A1 11/2013 Lush
 2013/0319915 A1 12/2013 Gellibolian et al.
 2014/0124393 A1 5/2014 Anson et al.
 2015/0251148 A1 * 9/2015 Hodges A47J 43/27
 426/519
 2015/0307265 A1 10/2015 Winn
 2016/0227960 A1 * 8/2016 DellaContrada A47J 31/4496
 2016/0235252 A1 * 8/2016 Muir A47J 43/27
 2016/0345780 A1 * 12/2016 Hatfield A47J 43/27
 2017/0065942 A1 * 3/2017 Dayton B01F 13/0022
 2017/0105581 A1 * 4/2017 Enghard A47J 43/27
 2017/0173540 A1 * 6/2017 Roaks A47J 43/27
 2018/0056256 A1 * 3/2018 Sun B01F 13/005
 2018/0064289 A1 * 3/2018 Bolling B01F 11/0054
 2018/0093236 A1 * 4/2018 Johnson B01F 3/1221

FOREIGN PATENT DOCUMENTS

JP 2006-256622 9/2006
 JP 2009-528094 8/2009
 TW 2008/35456 9/2008
 WO 2008/055296 5/2008
 WO 2010/050647 5/2010
 WO 2013/063535 5/2013

OTHER PUBLICATIONS

“Best Water Bottles Ever by Contigo!” Found online Oct. 25, 2016 at charlottesmartypants.com. Page dated Aug. 29, 2014. Retrieved from <http://charlottesmartypants.com/2014/08/smarty-back-to-school-giveaway-the-best-water-bottles-ever-bycontigo/>.
 “Camelback Groove.” Camelback Products, LLC, n.d. Web. Accessed Apr. 11, 2014. <<http://www.camelbak.com/Sports-Recreation/GrooveLanding/Main.aspx>>.
 “Contigo Tranquil Bottle, 20 oz.” Found online Oct. 25, 2016 at amazon.com. Page dated Feb. 12, 2014. Retrieved from <https://www.amazon.com/Contigo-Tranquil-Bottle-20-Ounce-Blush/dp/BOOIR77J5W>.
 “Salute-24 oz. Tritan Bottle-Flip Straw Lid,” Found Online Oct. 27, 2016 at waterbottles.com, Page dated Oct. 10, 2014, Retrieved from <http://web.archive.org/we/20141010061310/http://waterbottles.com/salute-24-oz-tritan-bottle-flip-straw-lid>.
 “Tervis Tumbler 24 oz. Water Bottle Review”. Found online Nov. 9, 2016 at the-gadgeteer.com. Page dated Apr. 8, 2012. Retrieved from <http://the-gadgeteer.com/2012/04/08/tervis-tumbler-24oz-water-bottle-review/>.
 “LiveWell Enhancement Tablets.” LiveWell Water LLC, n.d. Web. Accessed May 5, 2015. <<https://www.livewellwater.com/wp/products/livewell-supplements?>>.
 “LiveWell Fresh Filter.” LiveWell Water LLC, n.d. Web. Accessed May 5, 2015. <<https://www.livewellwater.com/wp/products/livewell-filter?>>.
 “The LiveWell Enhancement Chamber.” LiveWell Water LLC, n.d. Web. Accessed May 5, 2015. <<https://www.livewellwater.com/wp/products/livewell-supplement-chamber?>>.
 “TruMarine Collagen SIP.” Unistraw, n.d. Web. Accessed Jan. 1, 2015. <<http://www.unistraw.com/#!/collagen-sip/c11hm>>.
 Adkins, Mark, “CamelBak Groove Insulated 0.6L Filtration Bottle Review” The Gadgeteer, Apr. 14, 2012, 13 pages, available at <http://the-gadgeteer.com/2012/04/14/camelbak-groove-insulated-0-6l-filtration-bottle-review/>.
 Burns, Chris. “One Keepable Cap, Lots Less Bottles.” Yanko Design, Jun. 22, 2010. Web. Accessed May 5, 2015. <<http://www.yankodesign.com/2010/06/22/one-keepable-cap-lots-less-bottles/>>.

(56)

References Cited

OTHER PUBLICATIONS

Gay, Andy. "Cirkul Bottle: Flavor on the Fly." Kickstarter, Inc., Nov. 23, 2014. Web. Accessed Jan. 8, 2015. <<https://www.kickstarter.com/projects/cirkul/cirkul-your-drink-your-way>>.

LiveWell Healthy Hydration System—Featuring Innovative Flow—Through Technology. LiveWell Water LLC, n.d. Web. Accessed May 5, 2015. <<https://www.livewellwater.com>>.

PCT International Search Report and Written Opinion of the International Searching Authority for PCT/US15/27457, dated Jul. 14, 2015, 13 pages.

U.S. Appl. No. 29/435,733, dated Oct. 17, 2013, Notice of Allowance.

U.S. Appl. No. 13/662,169, dated Jan. 14, 2015, Office Action.

U.S. Appl. No. 13/662,169, dated Oct. 5, 2015, Final Office Action.

U.S. Appl. No. 13/662,169, dated Feb. 23, 2016, Office Action.

U.S. Appl. No. 13/662,169, dated Jul. 28, 2016, Final Office Action.

U.S. Appl. No. 13/662,169, dated Oct. 17, 2016, Notice of Allowance.

U.S. Appl. No. 15/349,177, dated Feb. 2, 2017, Office Action.

U.S. Appl. No. 29/525,829, dated Apr. 14, 2017, Office Action.

U.S. Appl. No. 14/695,351, dated May 15, 2017, Office Action.

U.S. Appl. No. 29/578,774, dated May 24, 2017, Office Action.

U.S. Appl. No. 15/349,177, dated Jun. 19, 2017, Final Office Action.

U.S. Appl. No. 29/578,774, dated Aug. 4, 2017, Notice of Allowance.

U.S. Appl. No. 15/349,177, dated Aug. 15, 2017, Notice of Allowance.

U.S. Appl. No. 29/525,829, dated Dec. 21, 2017, Notice of Allowance.

U.S. Appl. No. 29/581,484, dated Jan. 2, 2018, Restriction Requirement.

U.S. Appl. No. 14/695,351, dated Jan. 25, 2018, Office Action.

U.S. Appl. No. 29/581,484, dated Jun. 26, 2018, Notice of Allowance.

* cited by examiner

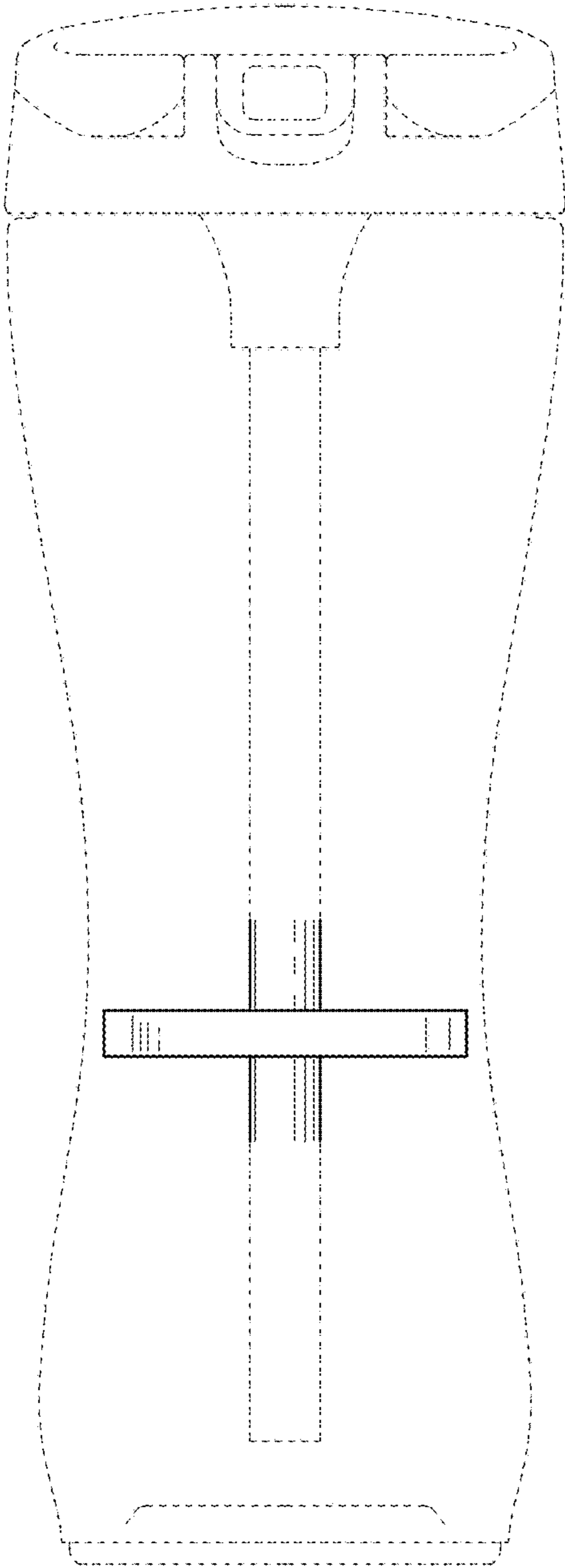


FIG. 1

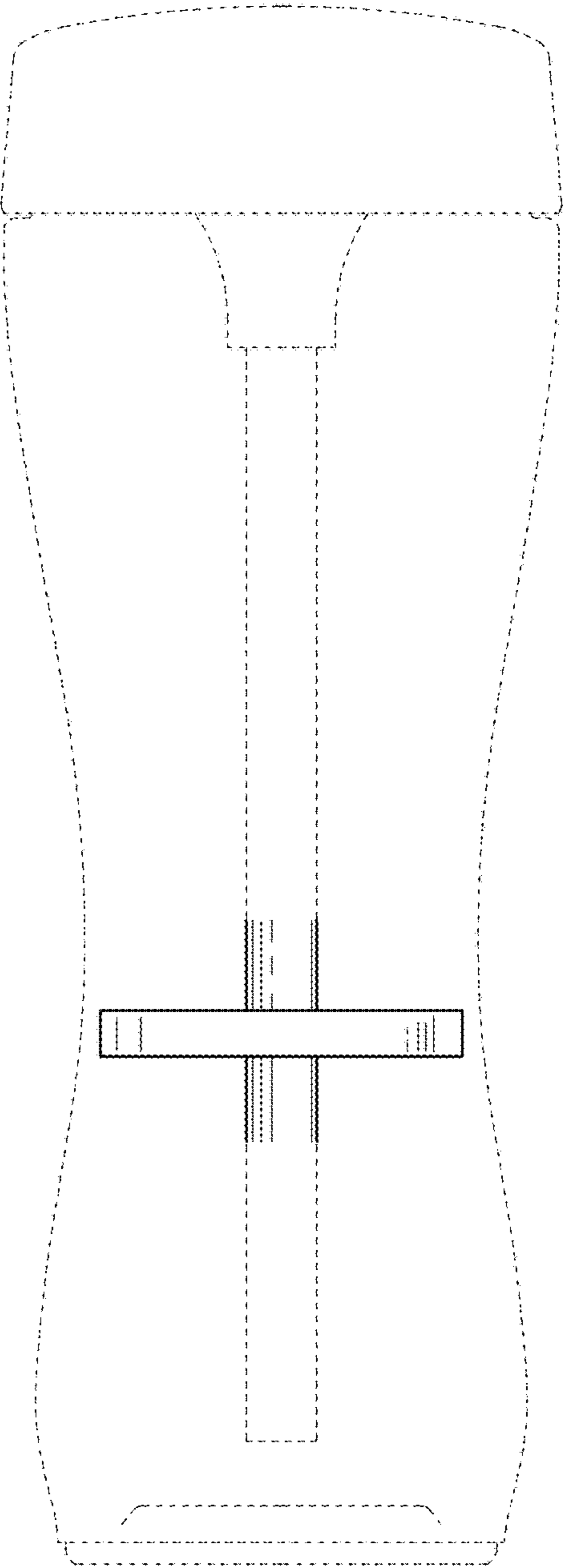


FIG. 2

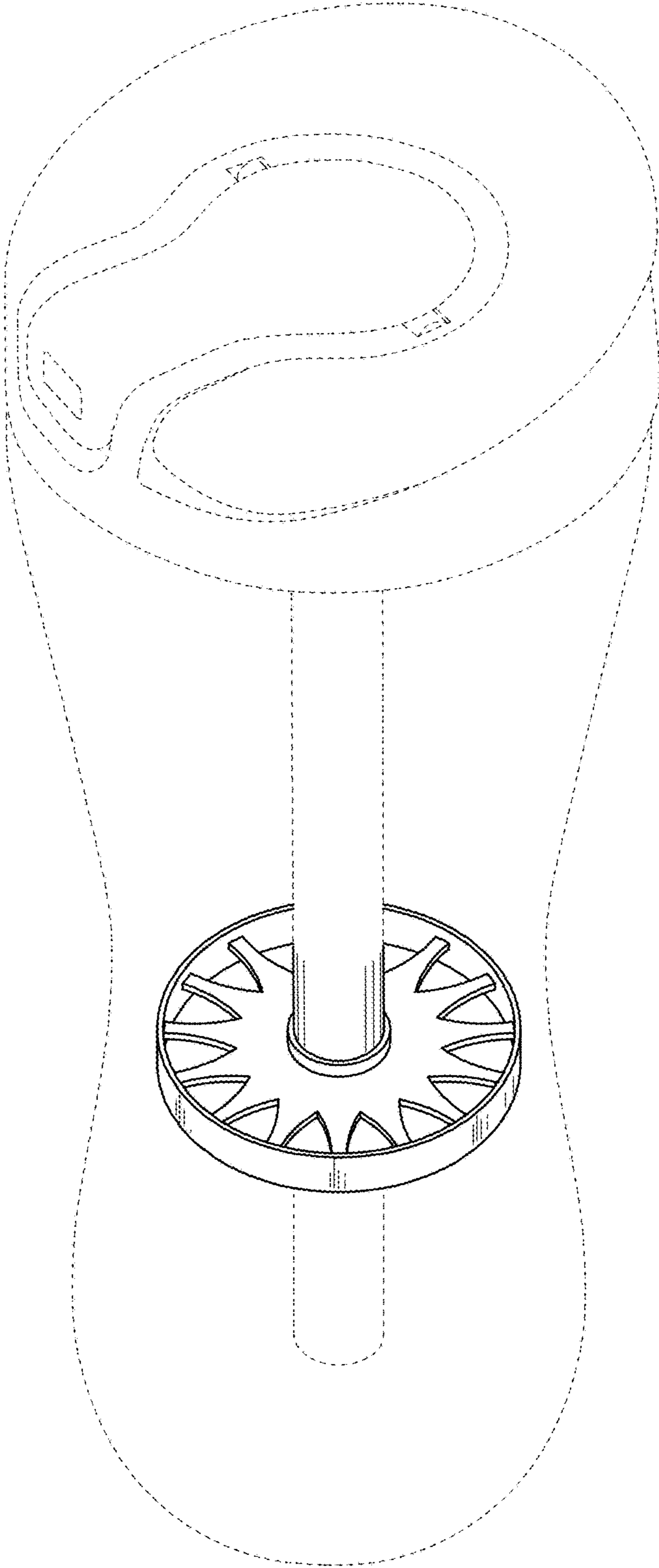


FIG. 3

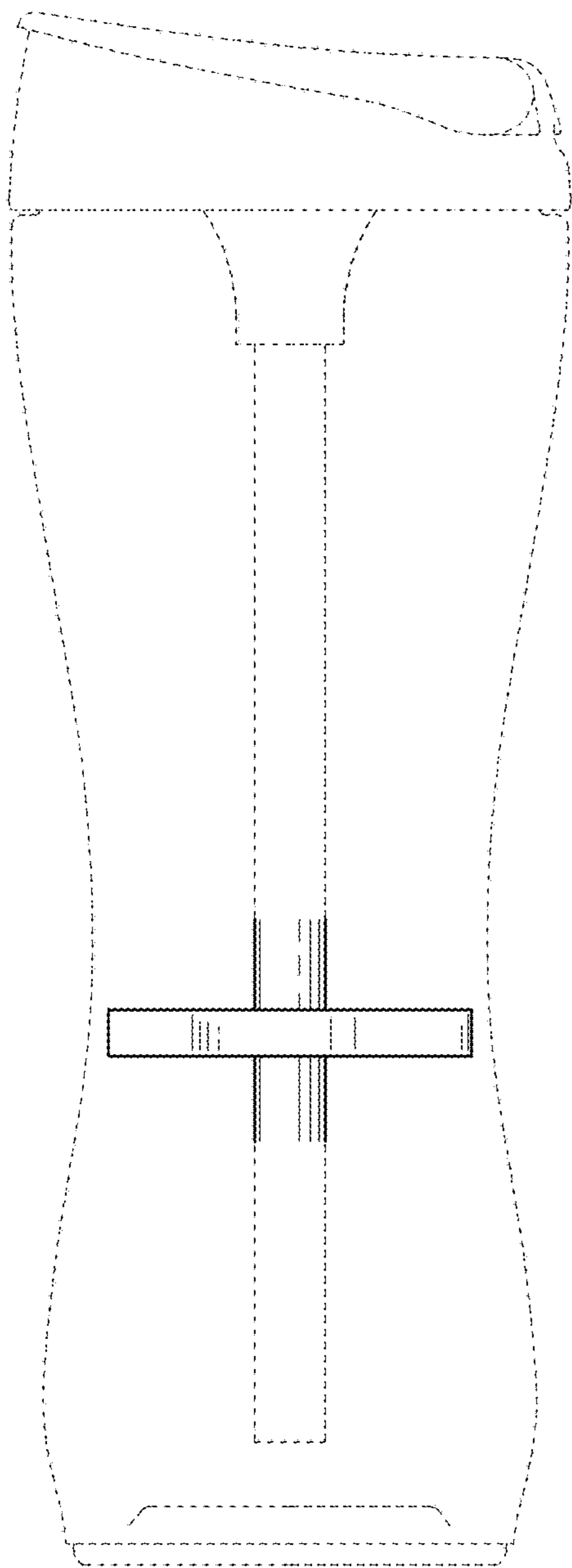


FIG. 4

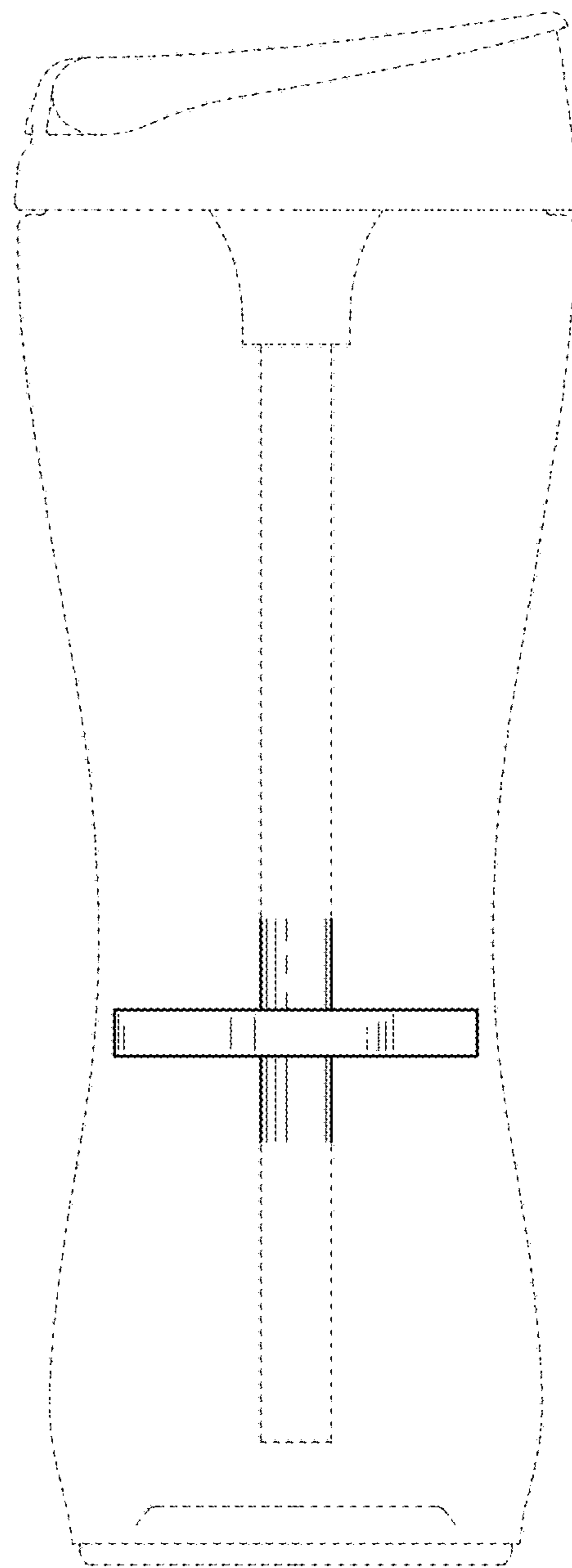


FIG. 5