



US00D871123S

(12) **United States Design Patent**
Schachter

(10) **Patent No.:** **US D871,123 S**

(45) **Date of Patent:** **** Dec. 31, 2019**

(54) **HEADBOARD**

(71) Applicant: **THE FHE GROUP INC.**, Concord (CA)

(72) Inventor: **Adam Schachter**, Concord (CA)

(73) Assignee: **The FHE Group, Inc.** (CA)

(**) Term: **15 Years**

(21) Appl. No.: **29/631,106**

(22) Filed: **Dec. 27, 2017**

(30) **Foreign Application Priority Data**

Dec. 4, 2017 (CA) 178531

(51) **LOC (12) Cl.** **06-06**

(52) **U.S. Cl.**
USPC **D6/718.23**

(58) **Field of Classification Search**

USPC D6/382-385, 388, 389, 393-394, 718.13,
D6/718.14, 718.23

CPC A47C 17/64; A47C 17/70; A47C 17/74;
A47C 19/12; A47C 19/005

See application file for complete search history.

(56) **References Cited**

U.S. PATENT DOCUMENTS

5,790,994 A * 8/1998 Leonard A47C 19/005
5/183

D639,578 S * 6/2011 Dordoni D6/393

* cited by examiner

Primary Examiner — Cathron C Brooks

(74) *Attorney, Agent, or Firm* — George R. McGuire;
Bond Schoeneck & King, PLLC

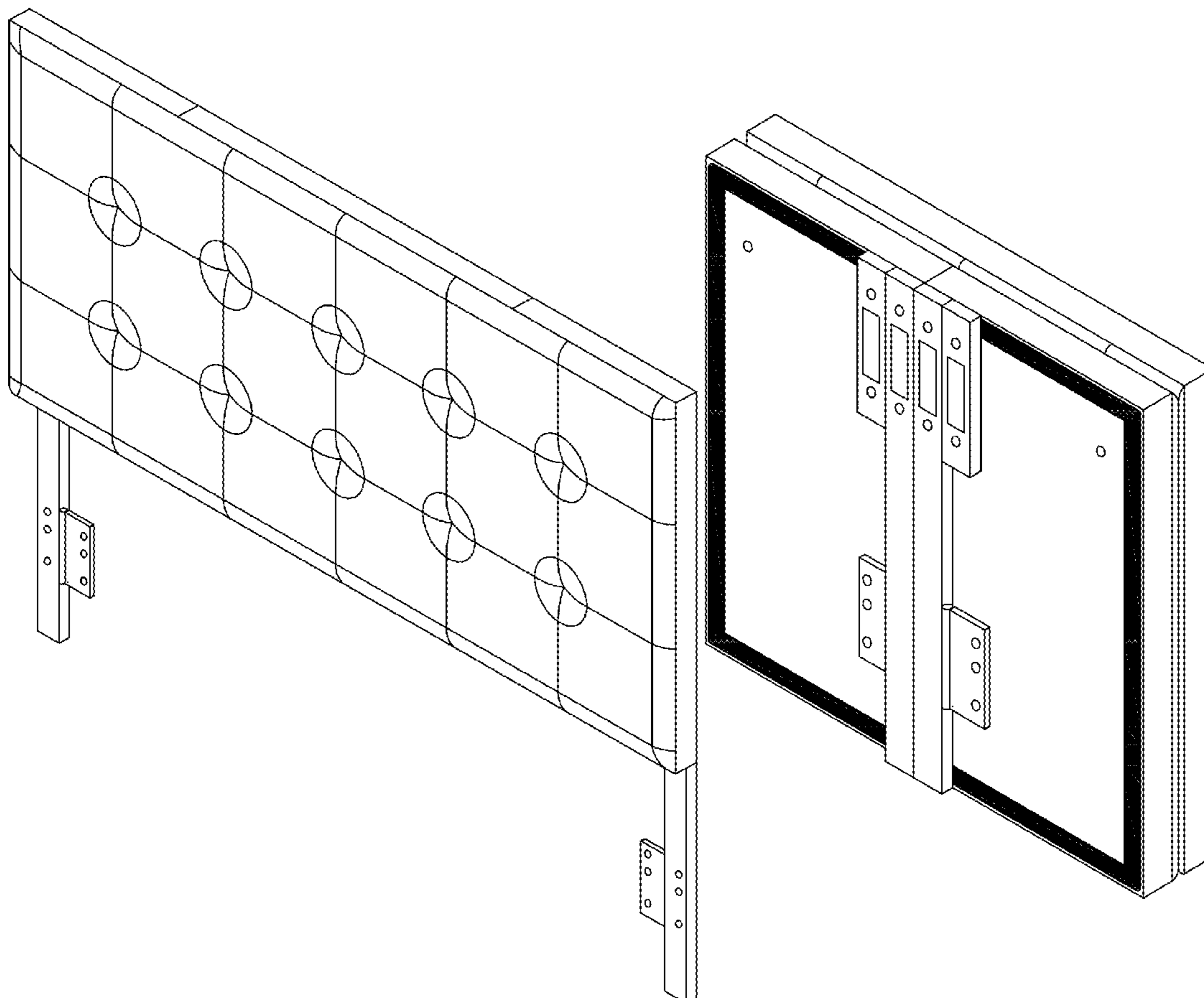
(57) **CLAIM**

The ornamental design for a headboard, as shown and described.

DESCRIPTION

FIG. 1 is a front perspective view of the headboard shown in a fully opened position;
FIG. 2 is a front view of the headboard shown in FIG. 1;
FIG. 3 is a rear view of the headboard shown in FIG. 1;
FIG. 4 is a top view of the headboard shown in FIG. 1;
FIG. 5 is a left-side view of the headboard shown in FIG. 1;
FIG. 6 is a front perspective view of the headboard shown in FIG. 1, in a partially folded position; and,
FIG. 7 is a perspective view of the headboard shown in FIG. 1, in a fully folded, closed position, with the legs and latch brackets in an alternate configuration.

1 Claim, 6 Drawing Sheets



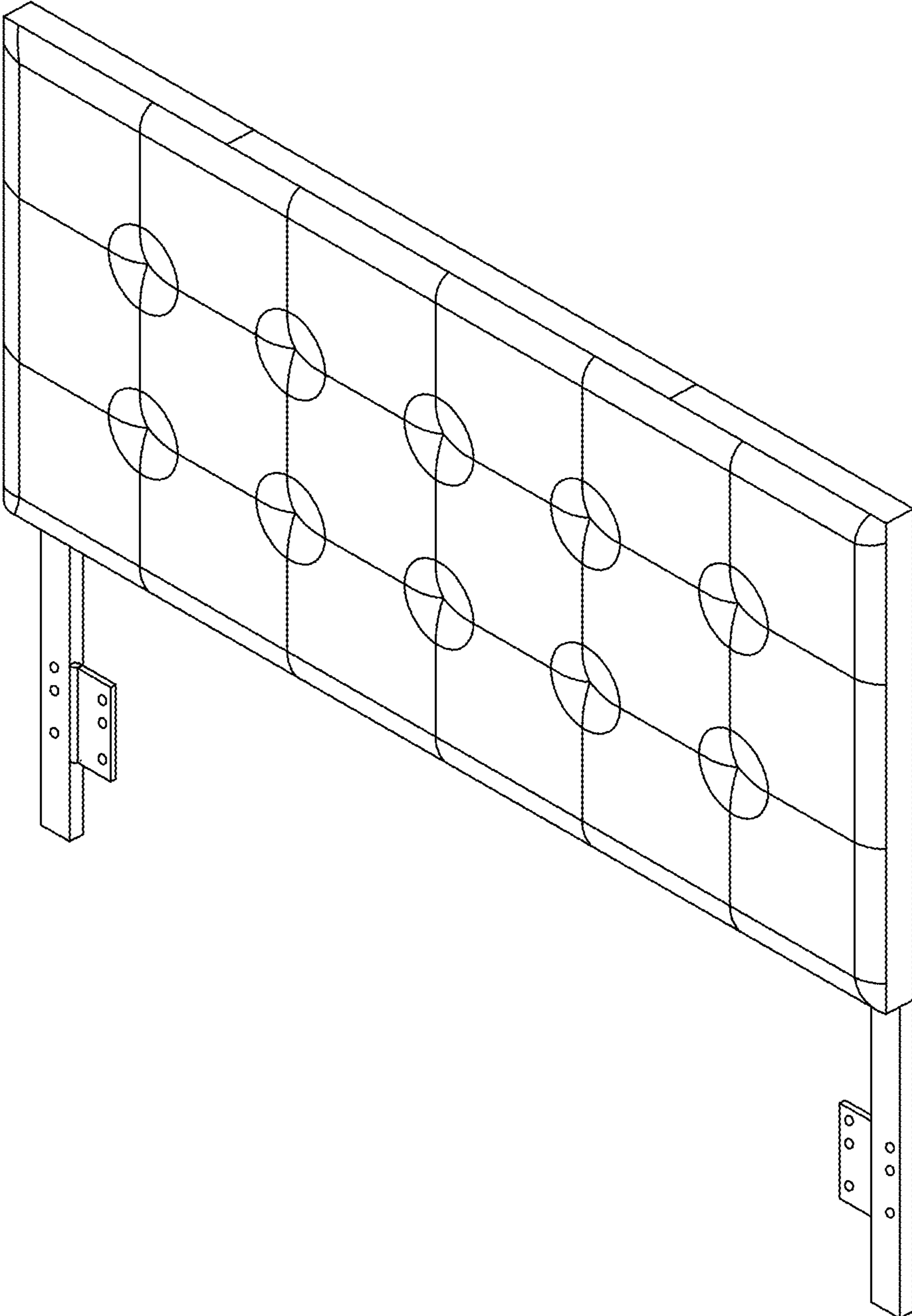


FIG. 1

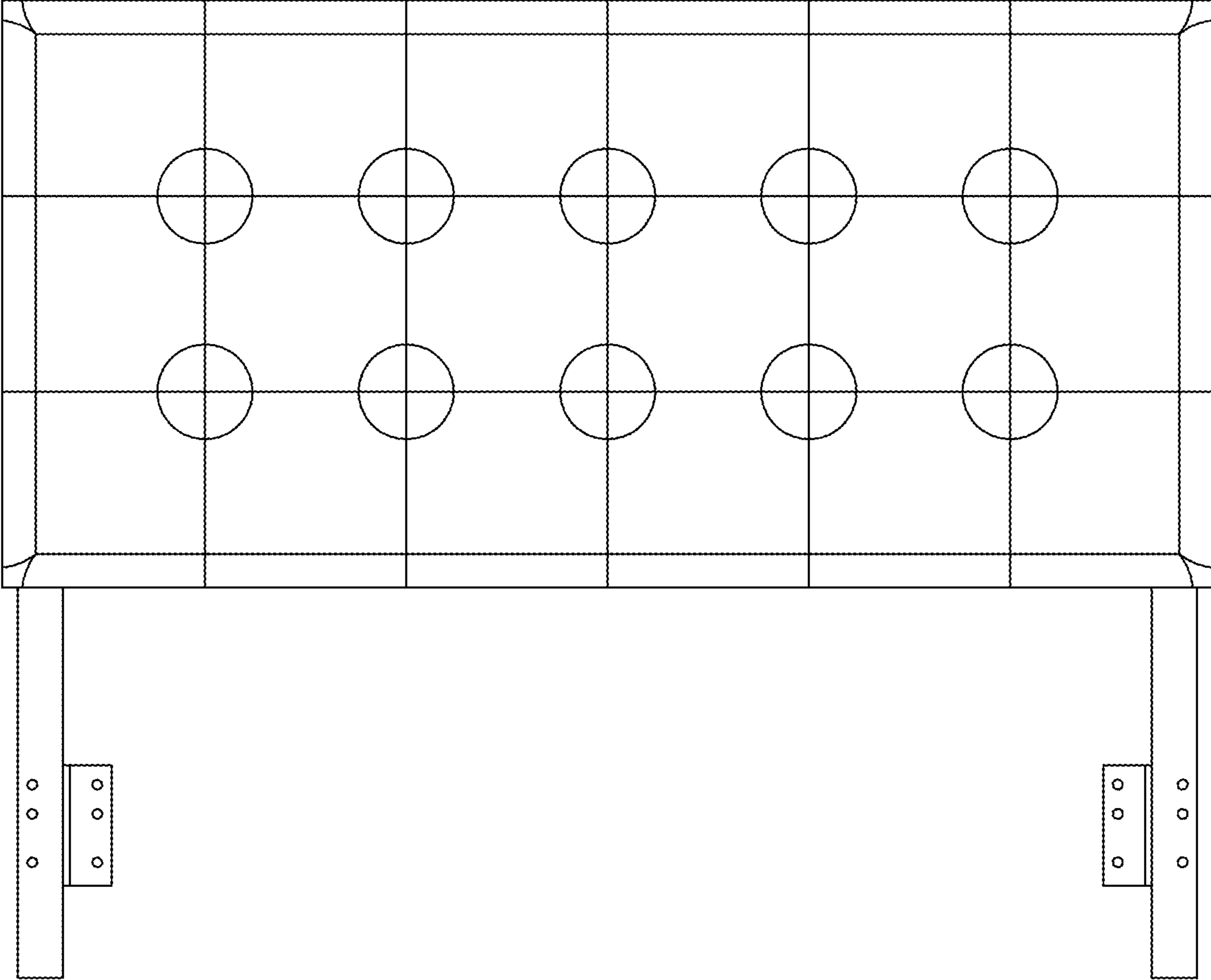


FIG. 2

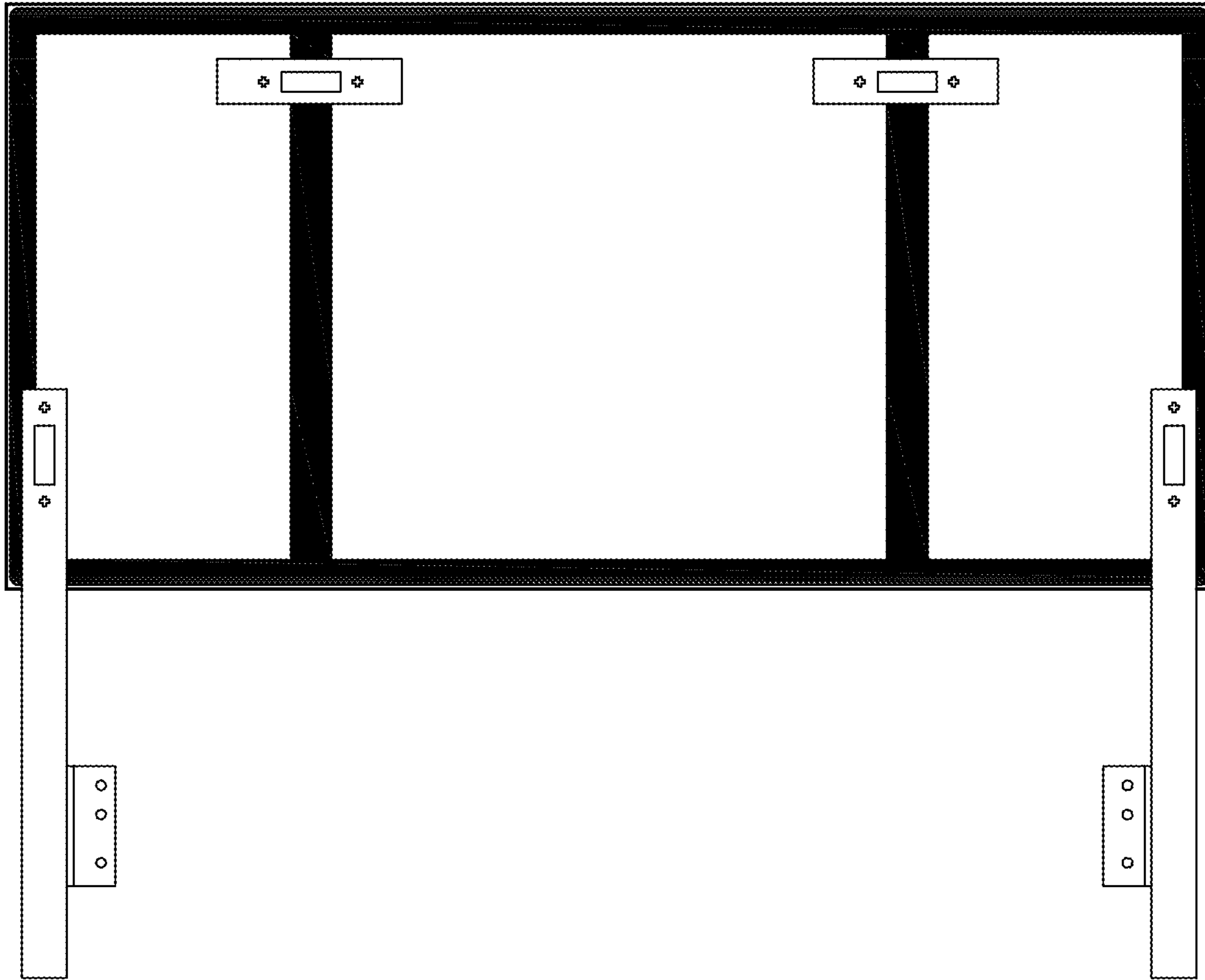


FIG. 3

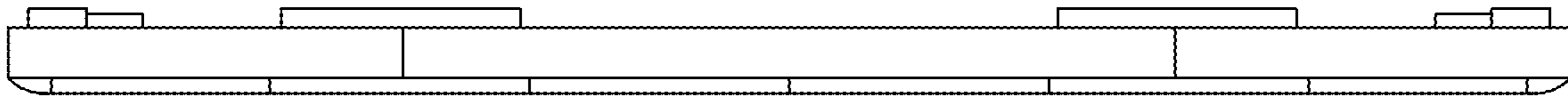


FIG. 4

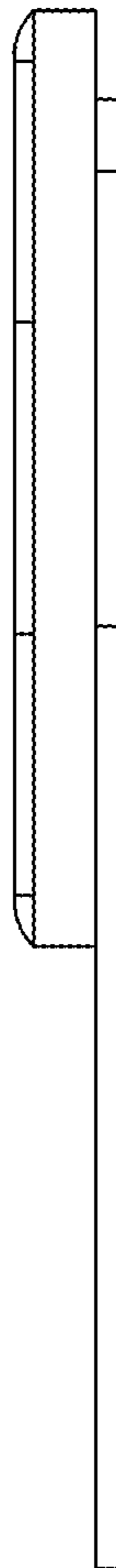


FIG. 5

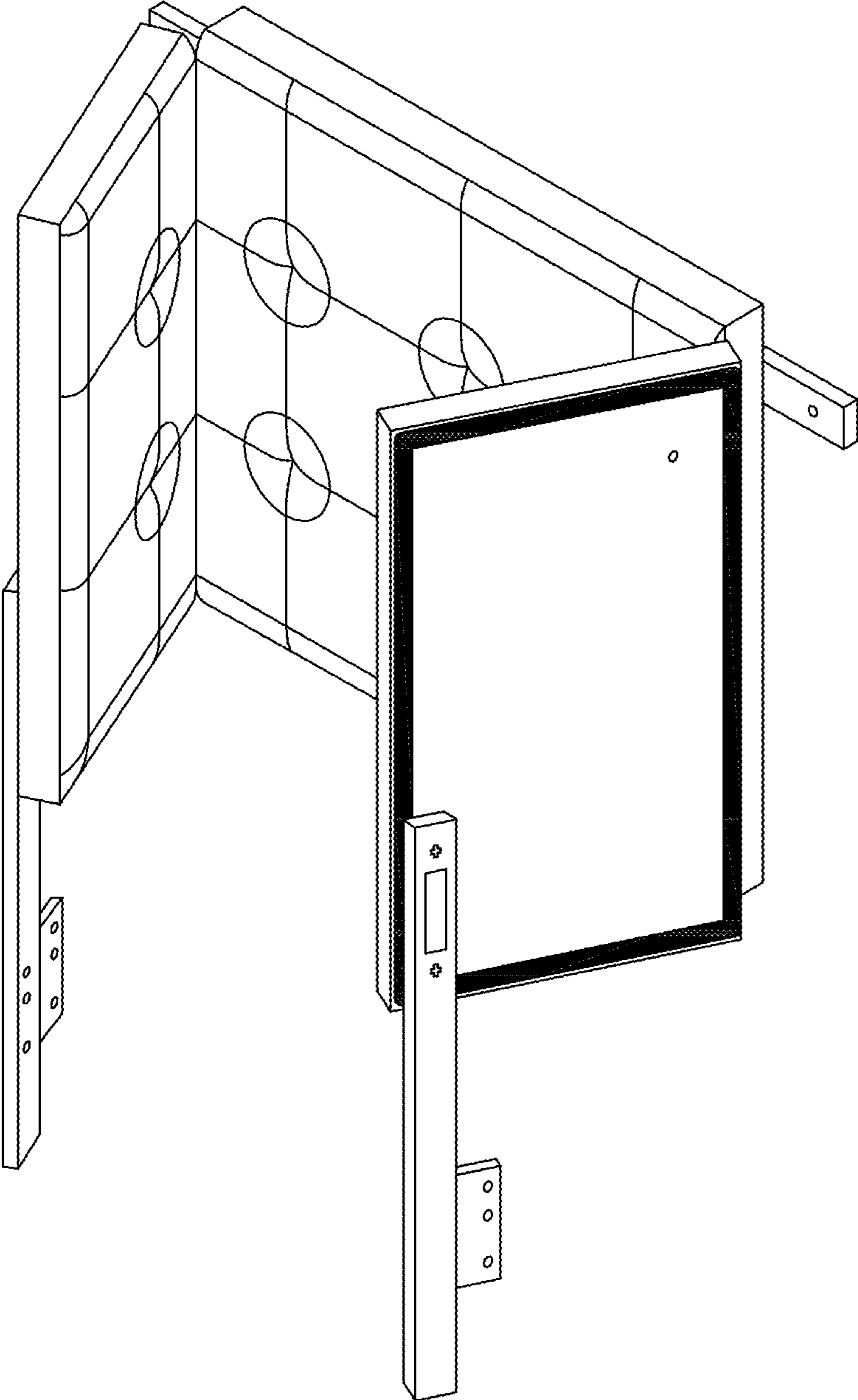


FIG. 6

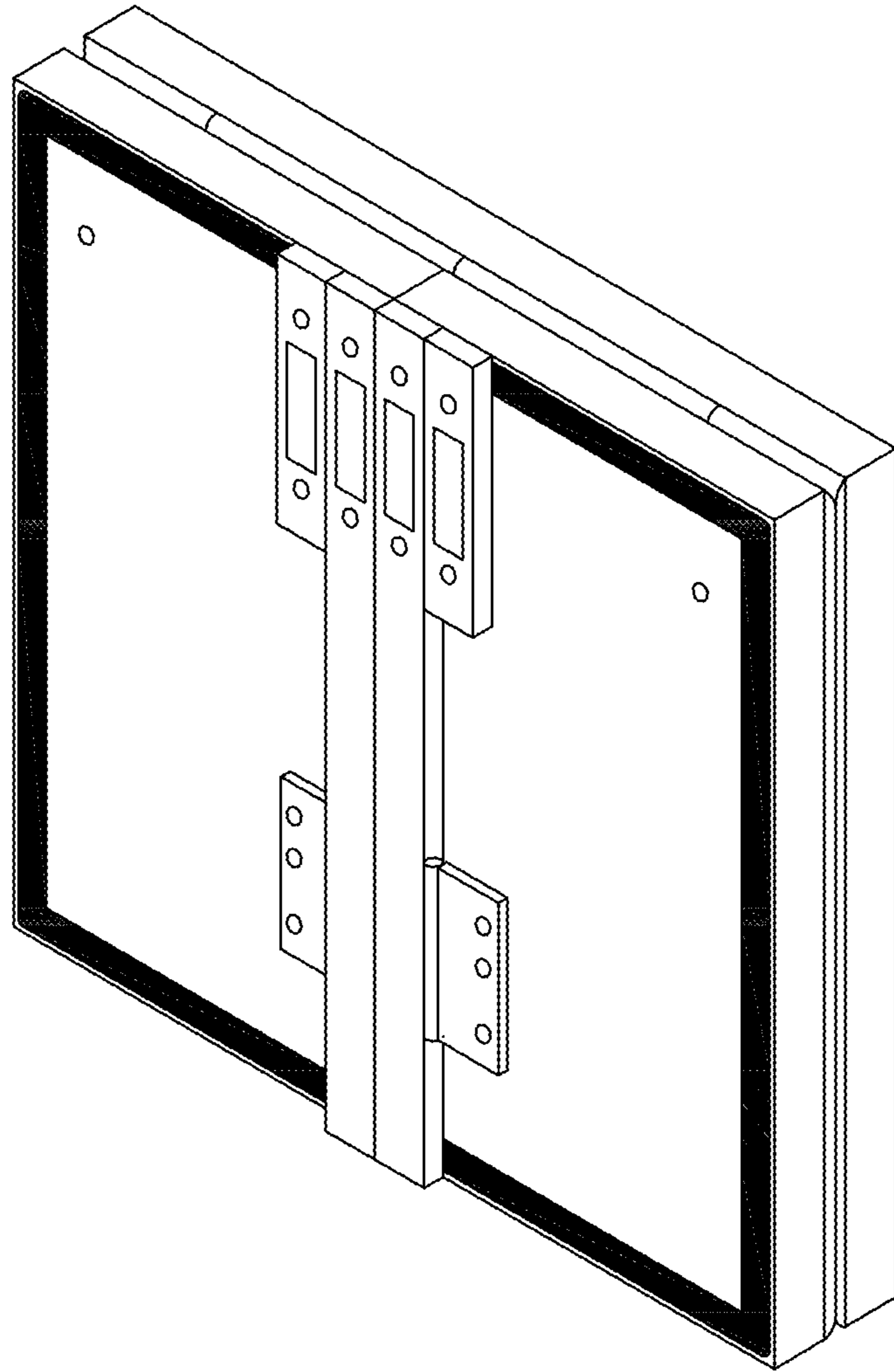


FIG. 7