



US00D871121S

(12) **United States Design Patent**  
**Sandonà et al.**

(10) **Patent No.:** **US D871,121 S**

(45) **Date of Patent:** **\*\* Dec. 31, 2019**

(54) **CHAIR**

(71) Applicant: **OMP S.r.l.**, Castello di Godego (TV)  
(IT)

(72) Inventors: **Stefano Sandonà**, Selvazzano Dentro  
(IT); **Sabrina Bettini**, Selvazzano  
Dentro (IT)

(73) Assignee: **OMP S.R.L.**, Castello di Godego (TV)  
(IT)

(\*\*) Term: **15 Years**

(21) Appl. No.: **29/617,669**

(22) Filed: **Sep. 15, 2017**

(51) **LOC (12) Cl.** ..... **06-01**

(52) **U.S. Cl.**  
USPC ..... **D6/716; D6/366**

(58) **Field of Classification Search**  
USPC ..... D6/334-336, 364, 365, 366, 374, 375,  
D6/379, 380, 716, 716.1, 716.2, 716.3,  
D6/716.4

CPC .. A47C 3/027; A47C 3/12; A47C 7/16; A47C  
7/54; A47C 7/02; A47C 7/18; A47C 7/24;  
A47C 7/40; A47C 7/46

See application file for complete search history.

(56) **References Cited**

**U.S. PATENT DOCUMENTS**

D351,069 S \* 10/1994 Orlandini ..... D6/366  
D354,631 S \* 1/1995 Orlandini ..... D6/366

D550,466 S \* 9/2007 Molina ..... D6/366  
D599,126 S \* 9/2009 Chen ..... D6/366  
D659,417 S \* 5/2012 Schmitz ..... D6/366  
D698,192 S \* 1/2014 Giugiaro ..... D6/716  
D702,955 S \* 4/2014 Meda ..... D6/366  
D718,949 S \* 12/2014 Meda ..... D6/366  
D824,711 S \* 8/2018 Brooks ..... D6/716  
D833,164 S \* 11/2018 Yang ..... D6/366

**FOREIGN PATENT DOCUMENTS**

CA 2740680 A1 \* 11/2011 ..... A47C 3/12  
CA 2931229 A1 \* 12/2016 ..... A47C 7/16

\* cited by examiner

*Primary Examiner* — Mimosa De

(74) *Attorney, Agent, or Firm* — Volpe and Koenig, P.C.

(57) **CLAIM**

The ornamental design for a chair, as shown and described.

**DESCRIPTION**

FIG. 1 is a top perspective view of the chair according to our design;

FIG. 2 is a right side view thereof;

FIG. 3 is a front view thereof;

FIG. 4 is a left side view thereof;

FIG. 5 is a rear view thereof;

FIG. 6 is a top view thereof; and,

FIG. 7 is a bottom view thereof.

The broken lines shown are for illustrative purposes and form no part of the claimed design.

**1 Claim, 7 Drawing Sheets**

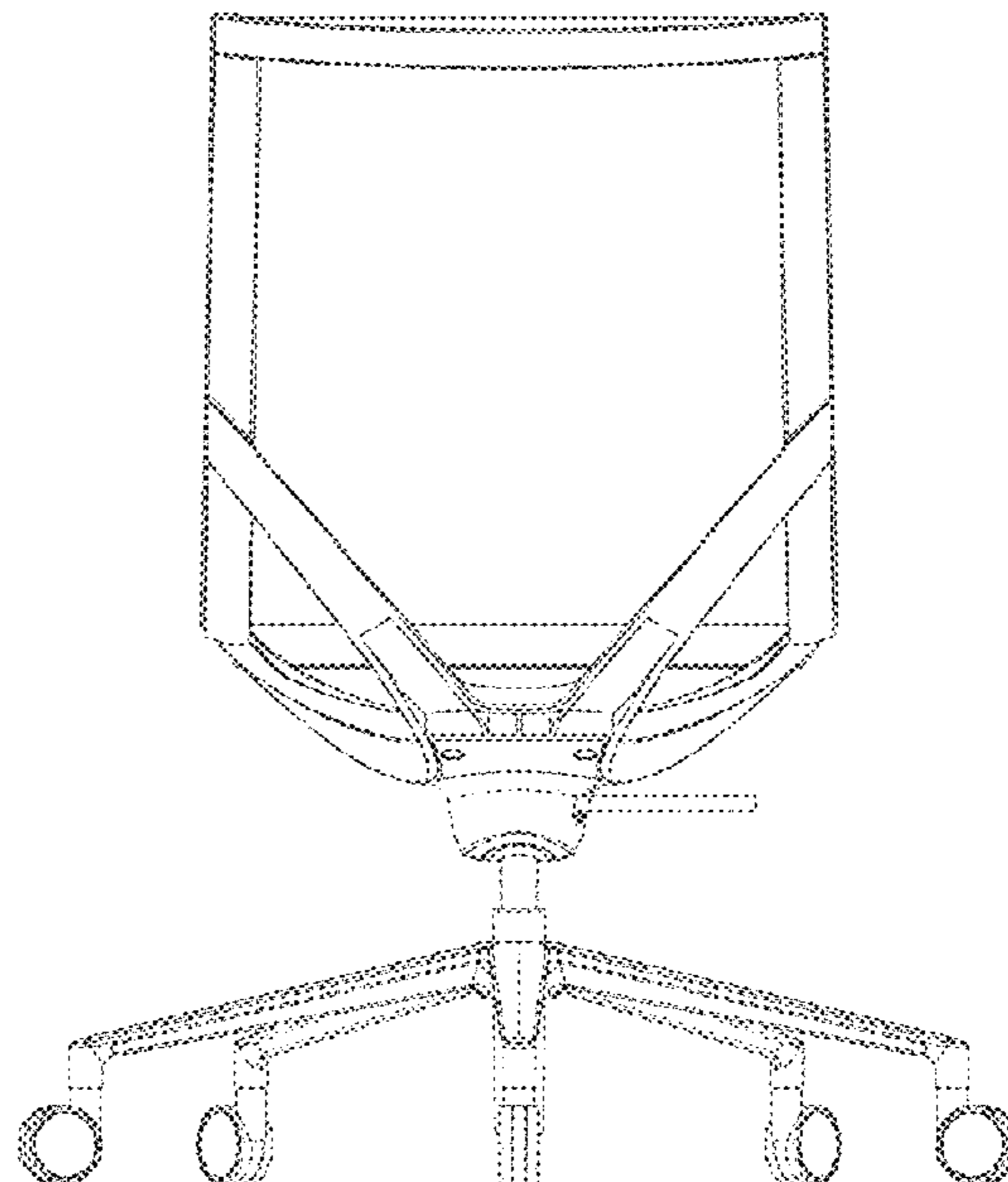
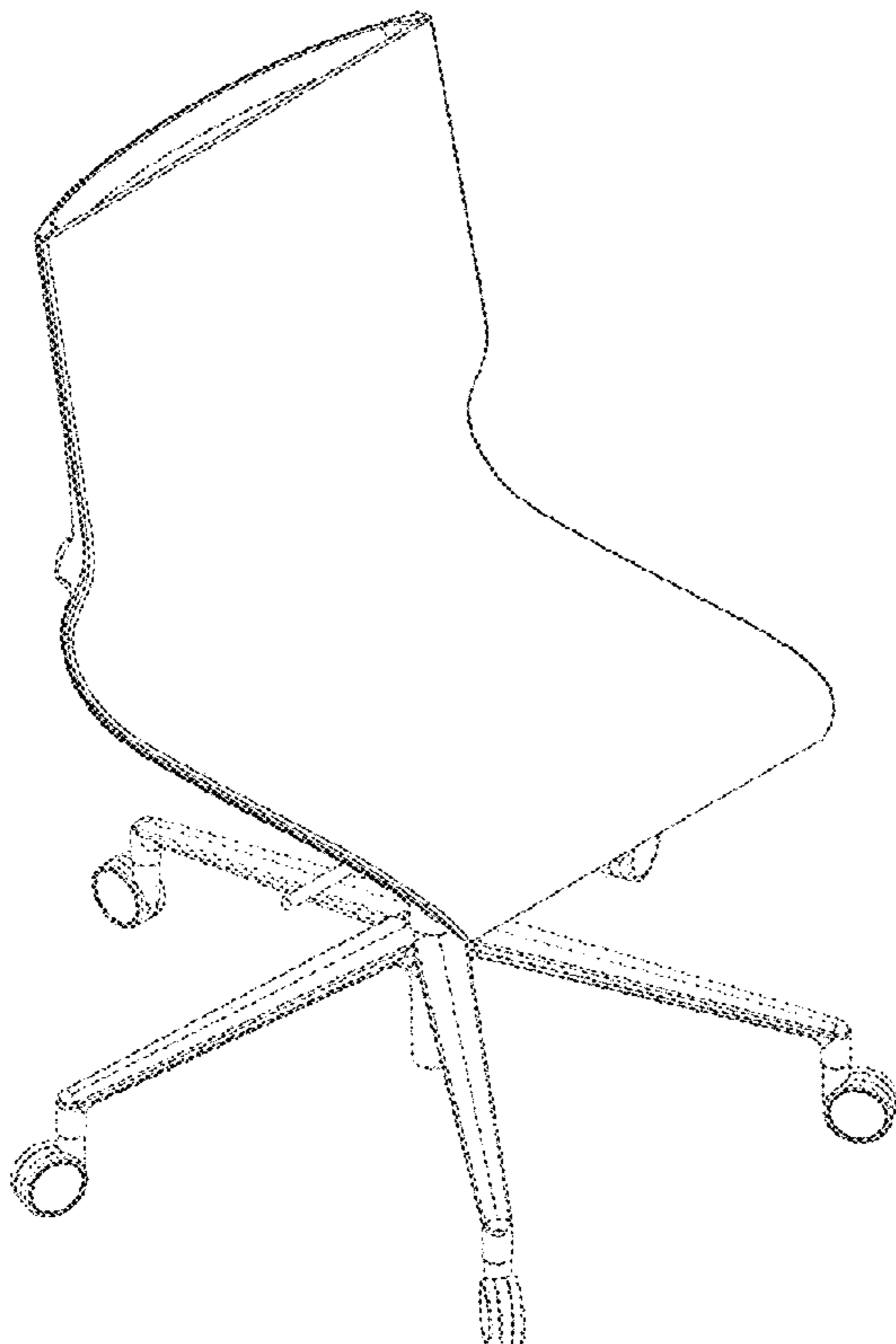




FIG. 1

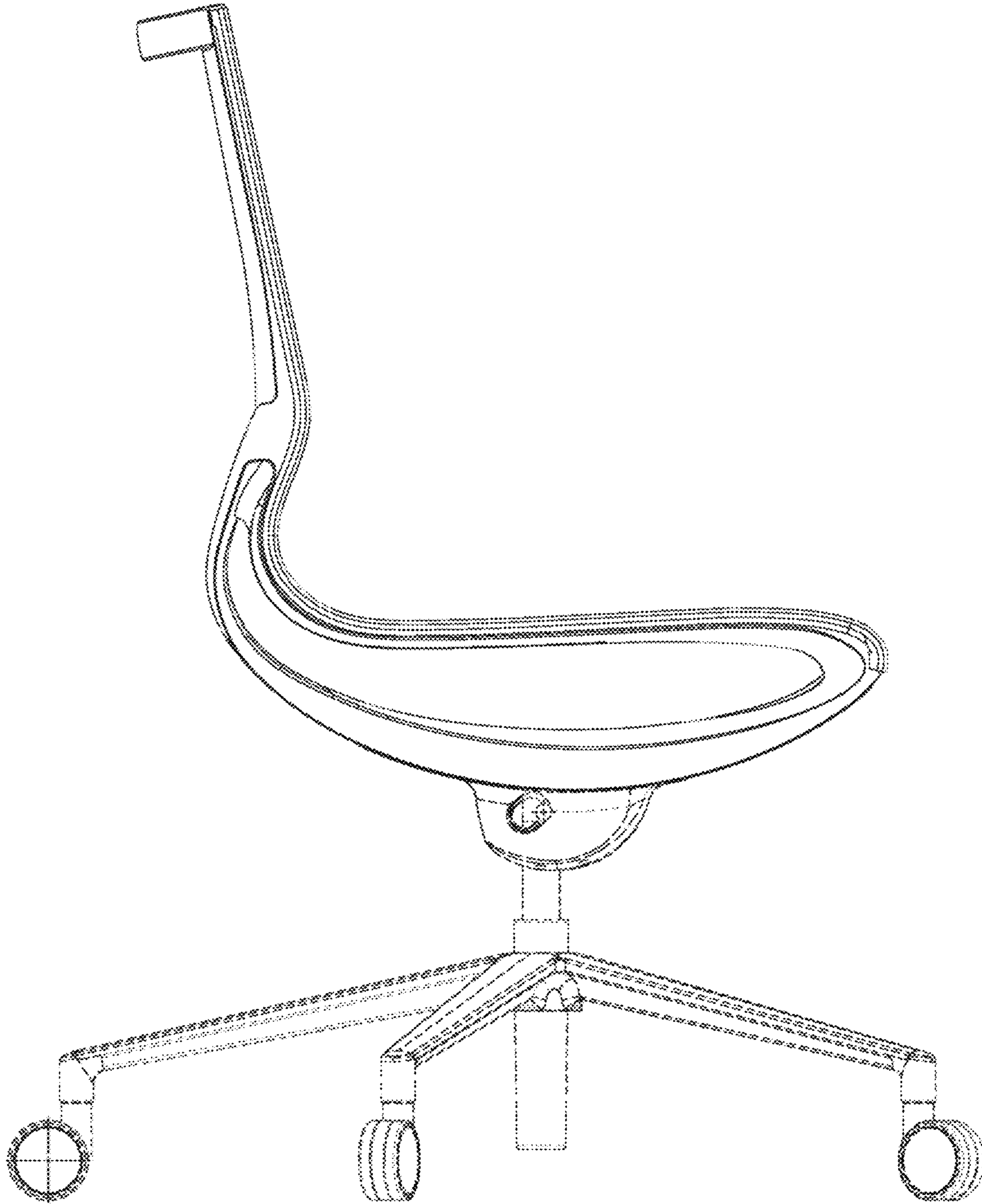


FIG. 2

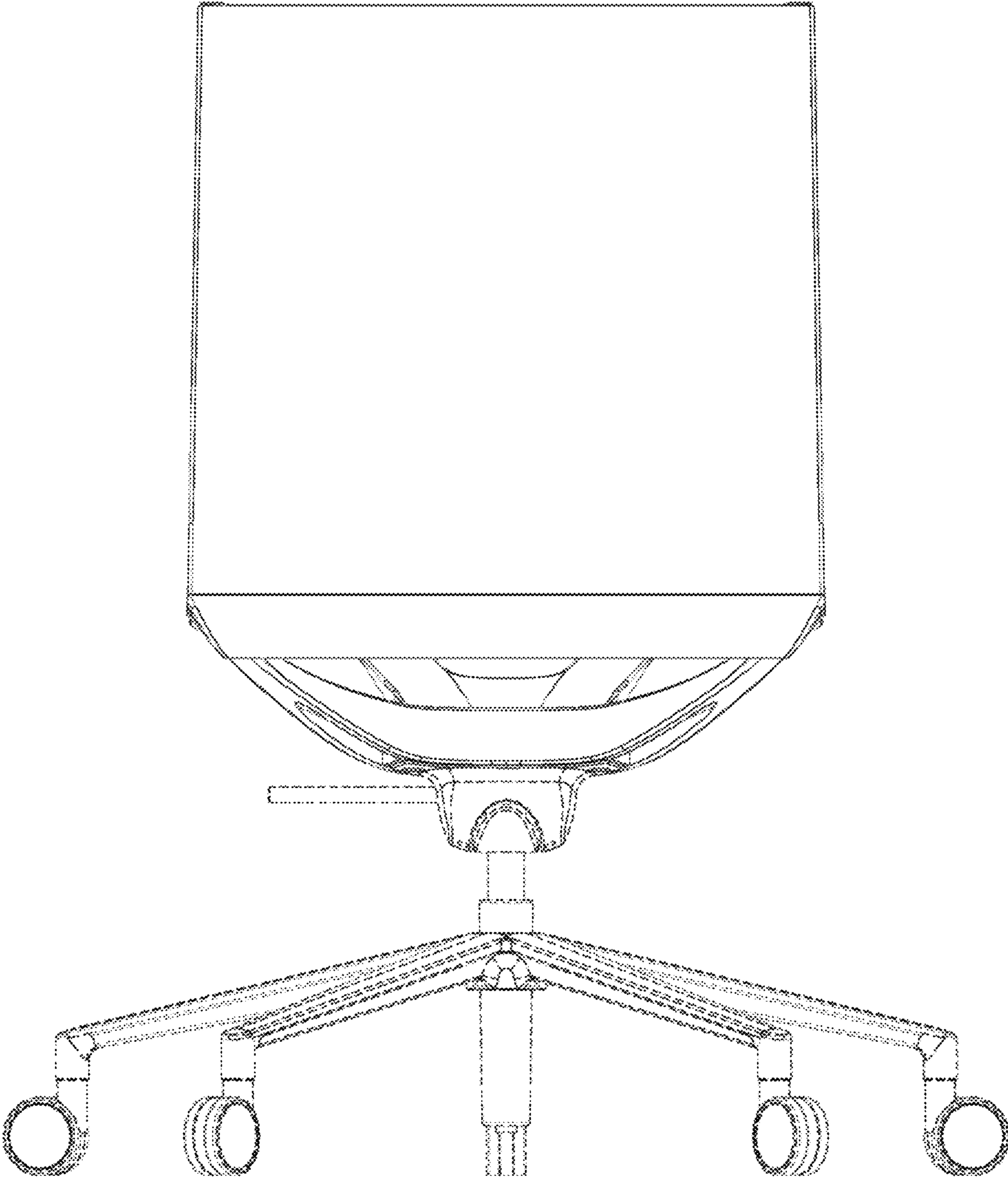


FIG. 3

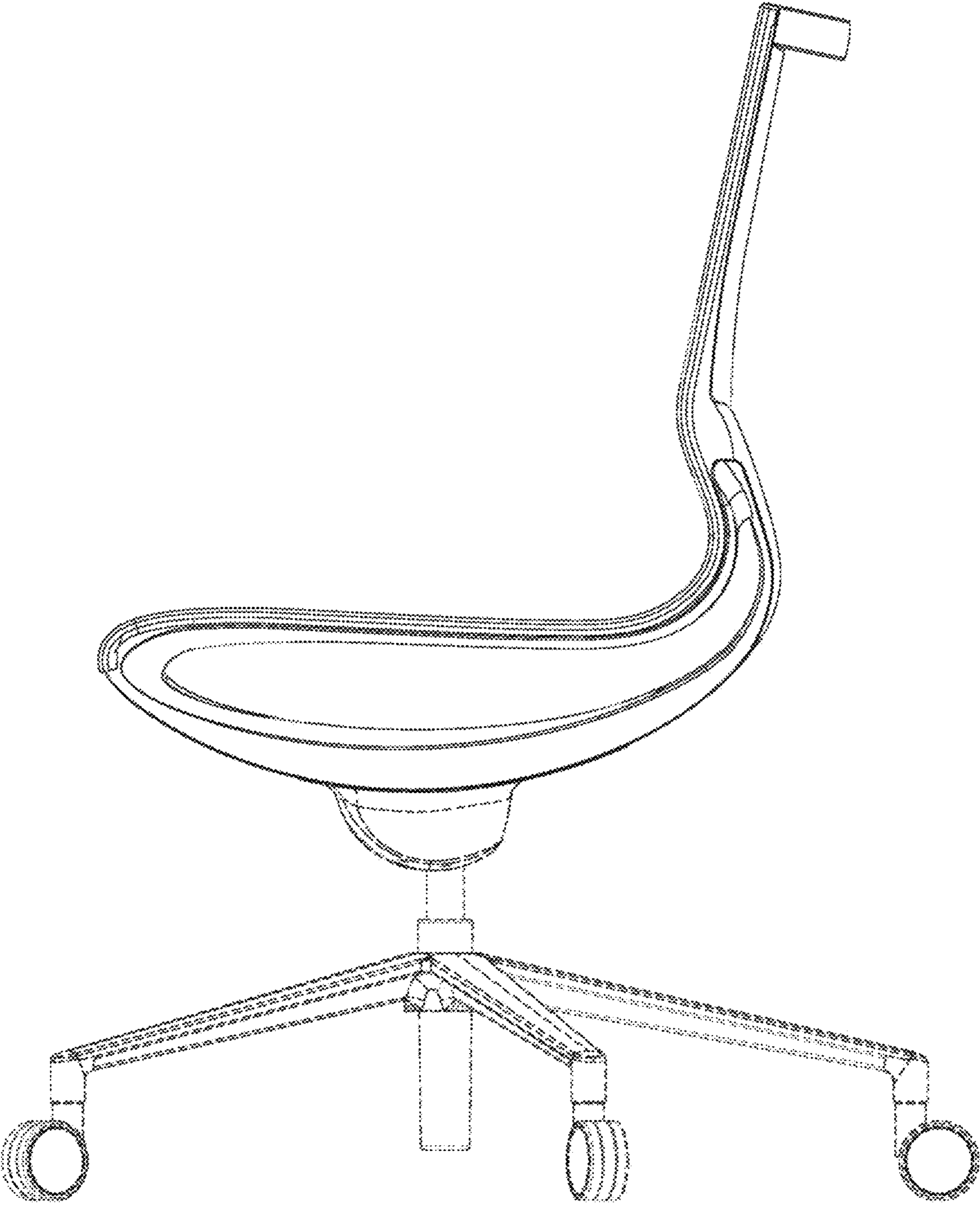


FIG. 4

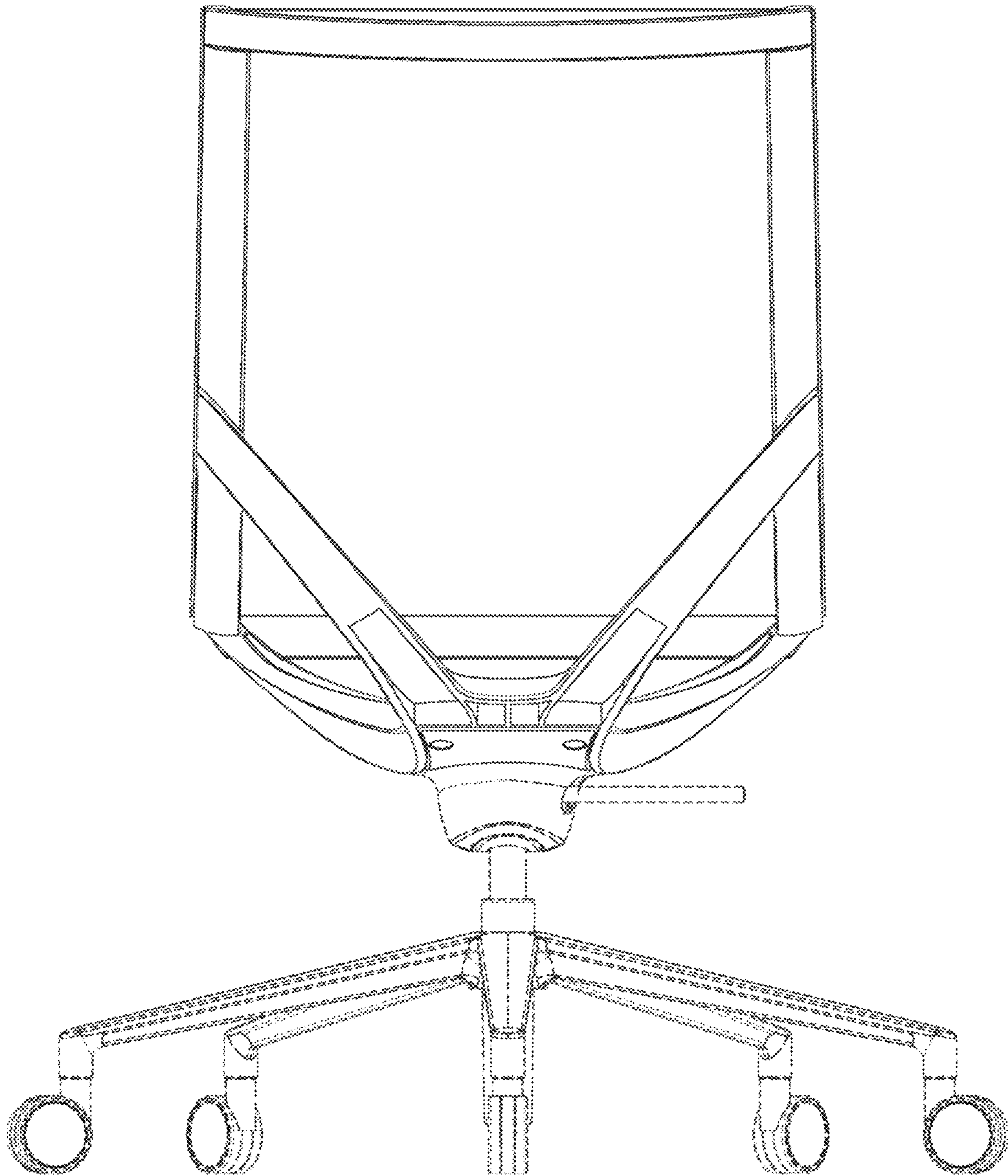


FIG. 5

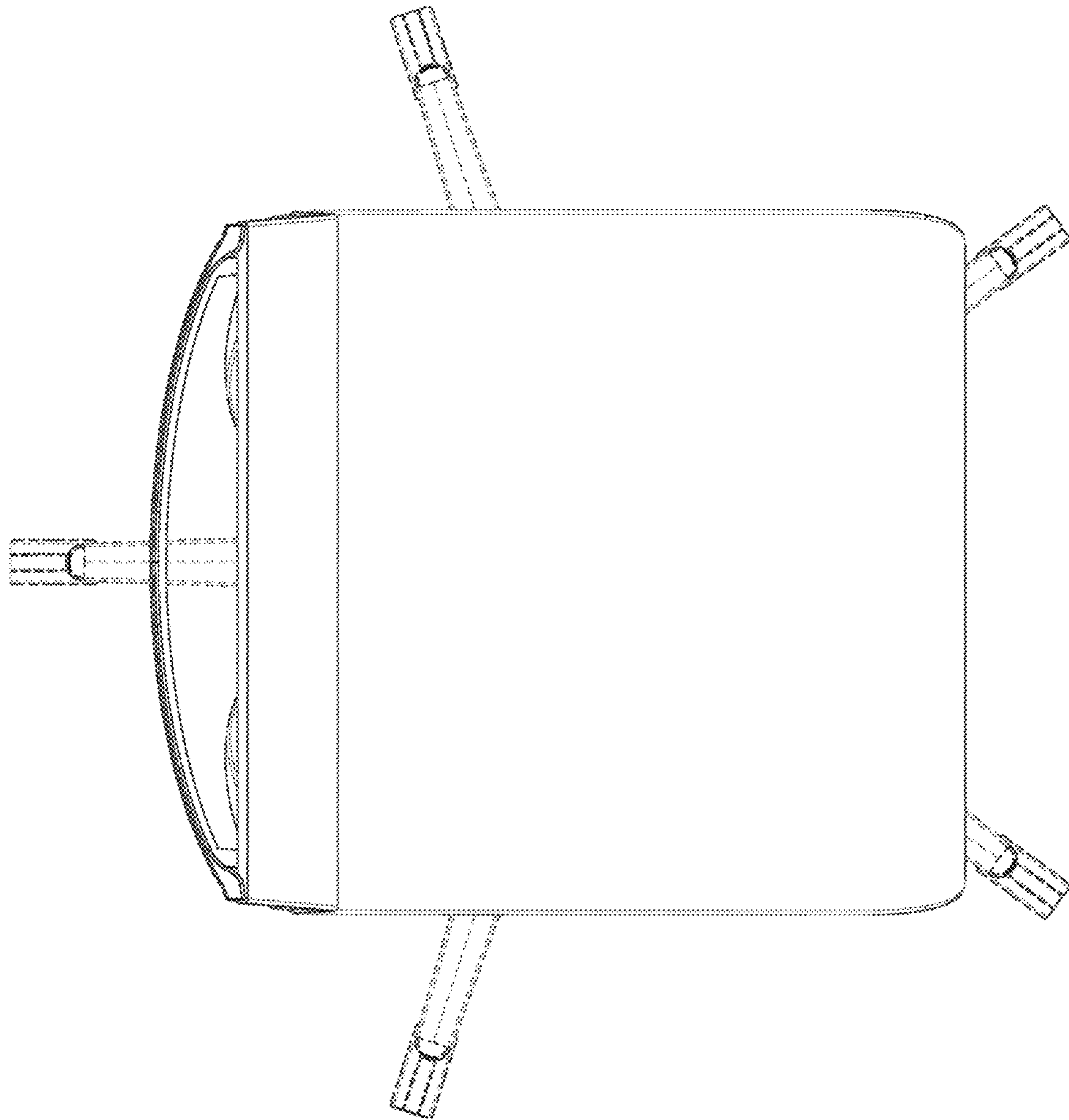


FIG. 6

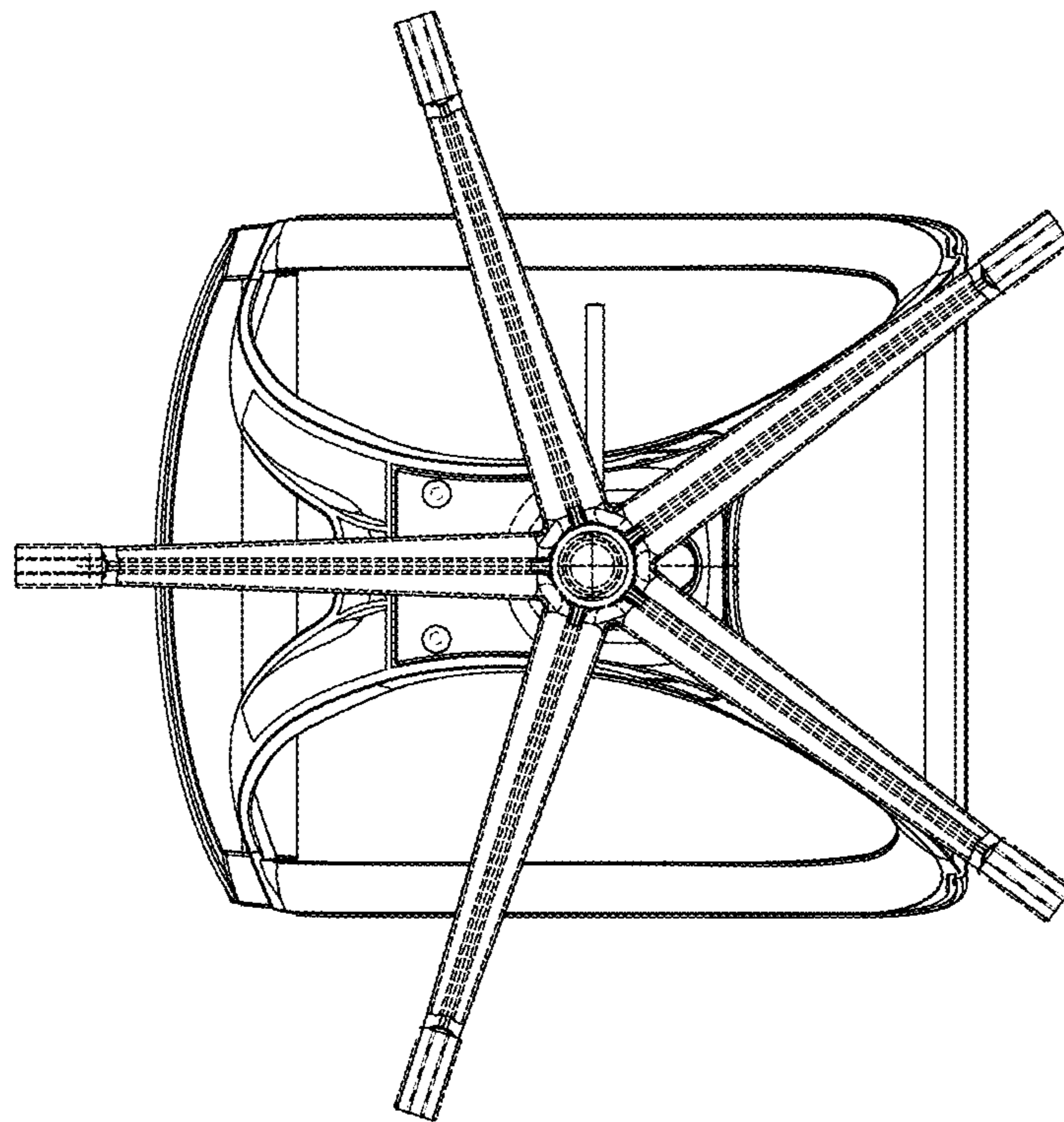


Fig. 7