



US00D871119S

(12) **United States Design Patent** (10) **Patent No.:** **US D871,119 S**
Traeger (45) **Date of Patent:** **** Dec. 31, 2019**

(54) **CONSOLE TABLE BASE**

(71) Applicant: **Philip Lawrence Traeger**, San Pedro, CA (US)

(72) Inventor: **Philip Lawrence Traeger**, San Pedro, CA (US)

(**) Term: **15 Years**

(21) Appl. No.: **29/666,211**

(22) Filed: **Oct. 10, 2018**

(51) **LOC (12) Cl.** **06-06**

(52) **U.S. Cl.**
USPC **D6/708**

(58) **Field of Classification Search**
USPC D6/685, 686, 691, 691.1-691.9, 708, D6/708.21, 708.22, 709, 709.16
CPC A47B 7/00; A47B 13/00; A47B 13/02; A47B 13/04; A47B 13/06; A47B 13/08; A47B 13/12; A47B 17/00; A47B 21/00; A47B 91/00; A47B 2200/0001; A47B 2200/0011; A47B 2200/002
See application file for complete search history.

(56) **References Cited**

U.S. PATENT DOCUMENTS

D135,508 S * 4/1943 Mildwoff D6/691.5
D386,331 S * 11/1997 Grosfillex D6/708

D573,377 S * 7/2008 Muller D6/708
D596,259 S * 7/2009 Deason D21/783
D665,602 S * 8/2012 Muller D6/708
D666,850 S * 9/2012 Muller D6/708
D793,781 S * 8/2017 Gharabegian D6/691
D821,789 S * 7/2018 Traeger D6/692.3

* cited by examiner

Primary Examiner — Mary Ann Calabrese
(74) *Attorney, Agent, or Firm* — Robert Lauson, Esq.;
Lauson & Associates

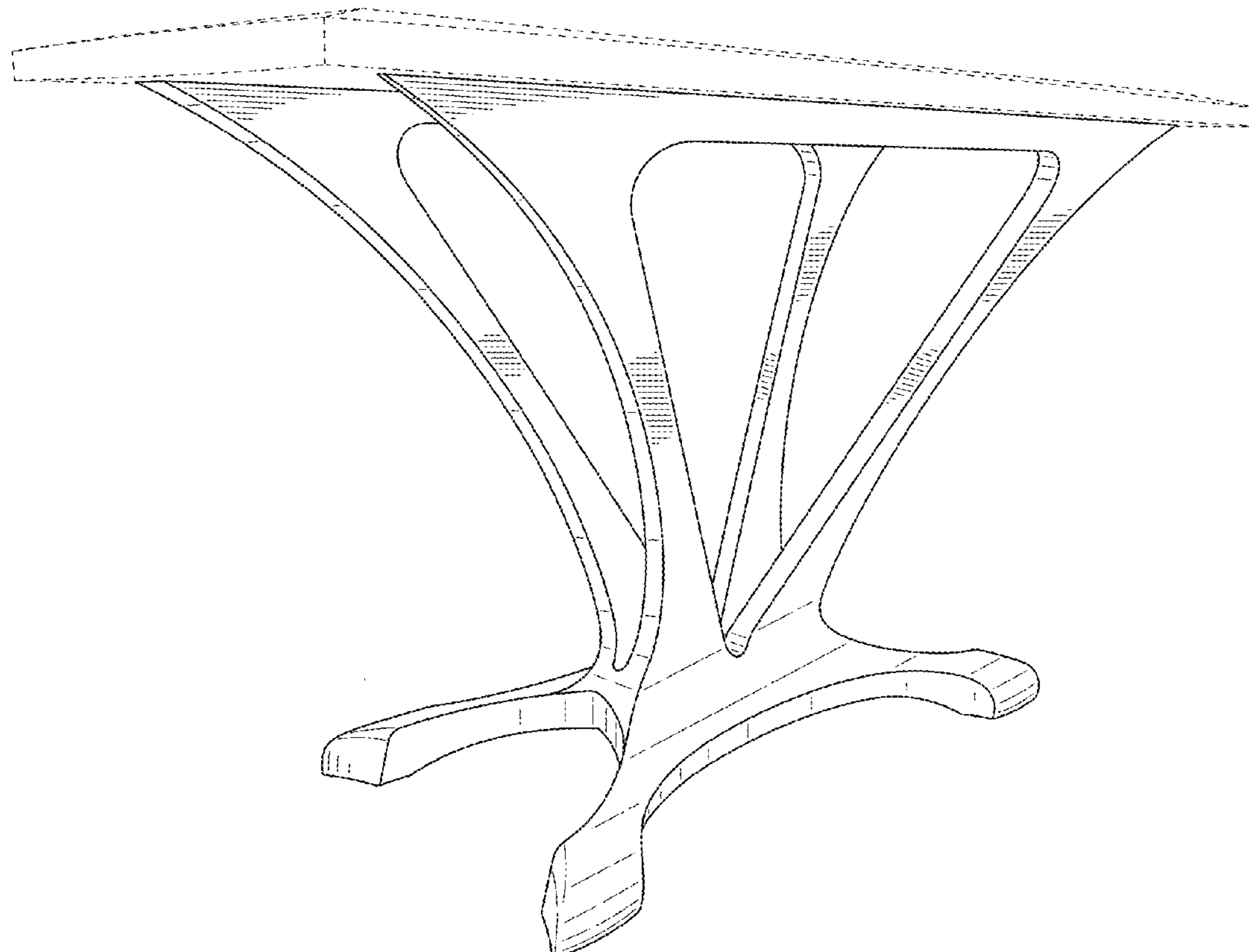
(57) **CLAIM**

I claim the ornamental design for console table base, as shown and described.

DESCRIPTION

FIG. 1 is a front perspective view of the console table base. FIG. 2 is a side perspective view of the console table base. FIG. 3 is a front view of the console table base. FIG. 4 is a right side elevation view of the console table base, the left side elevation being a mirror image thereof. FIG. 5 is a top plan view of the console table base; and, FIG. 6 is a bottom view1' of the console table base. The broken lines shown are for the purpose of illustrating the environment related to the claimed design and forms no part of the claimed design.

1 Claim, 6 Drawing Sheets



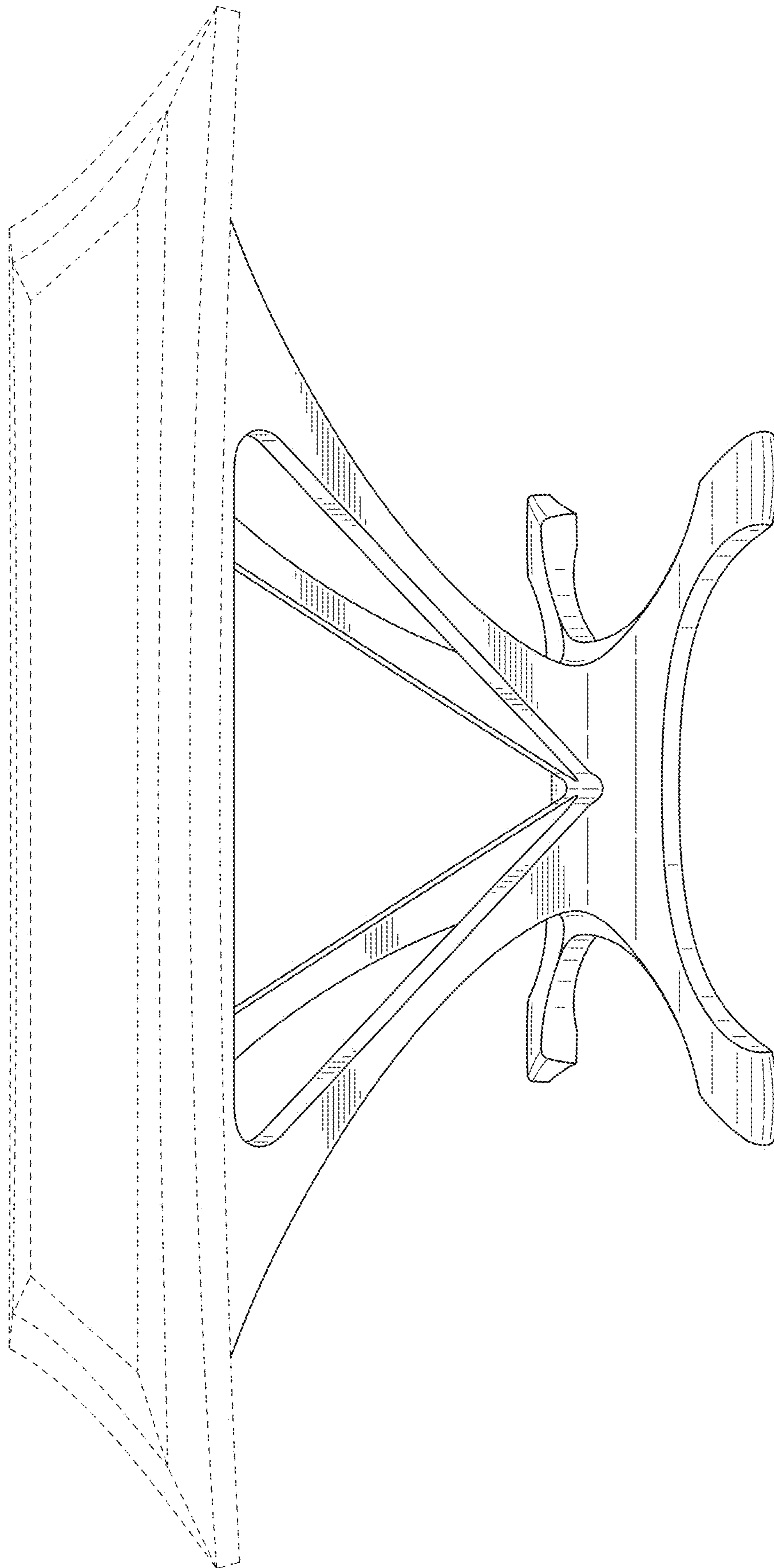
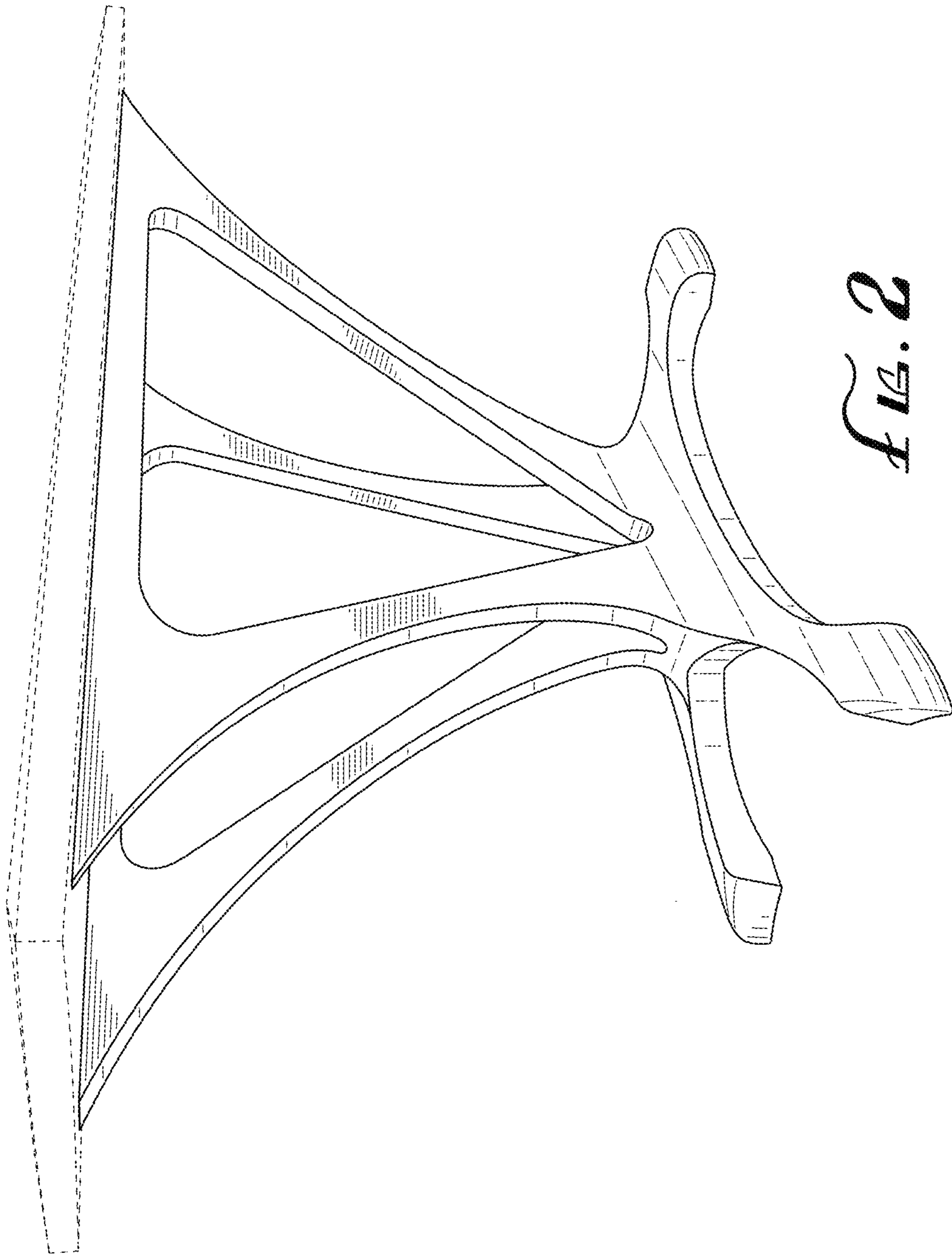


FIG. 1



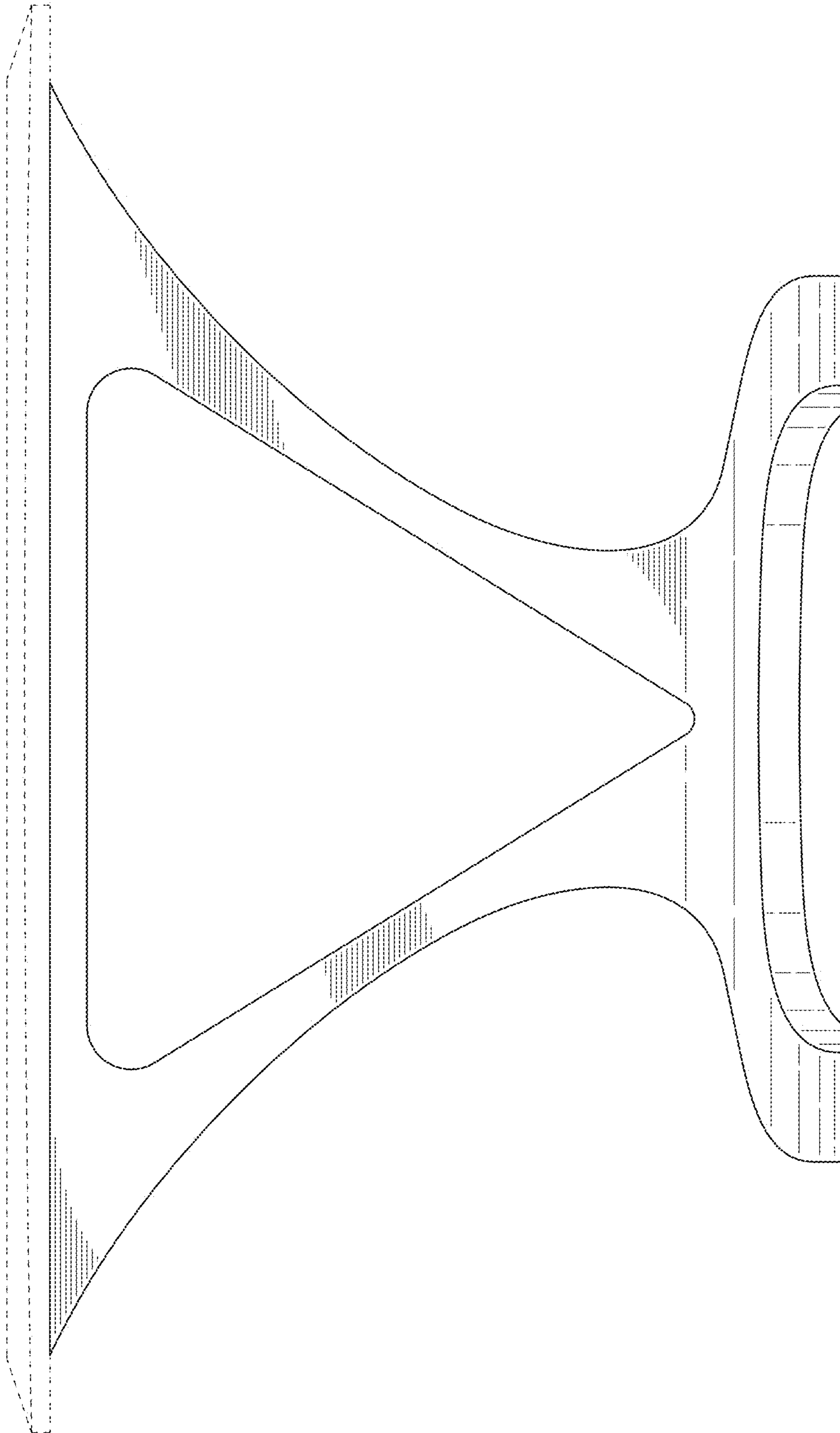


FIG. 3

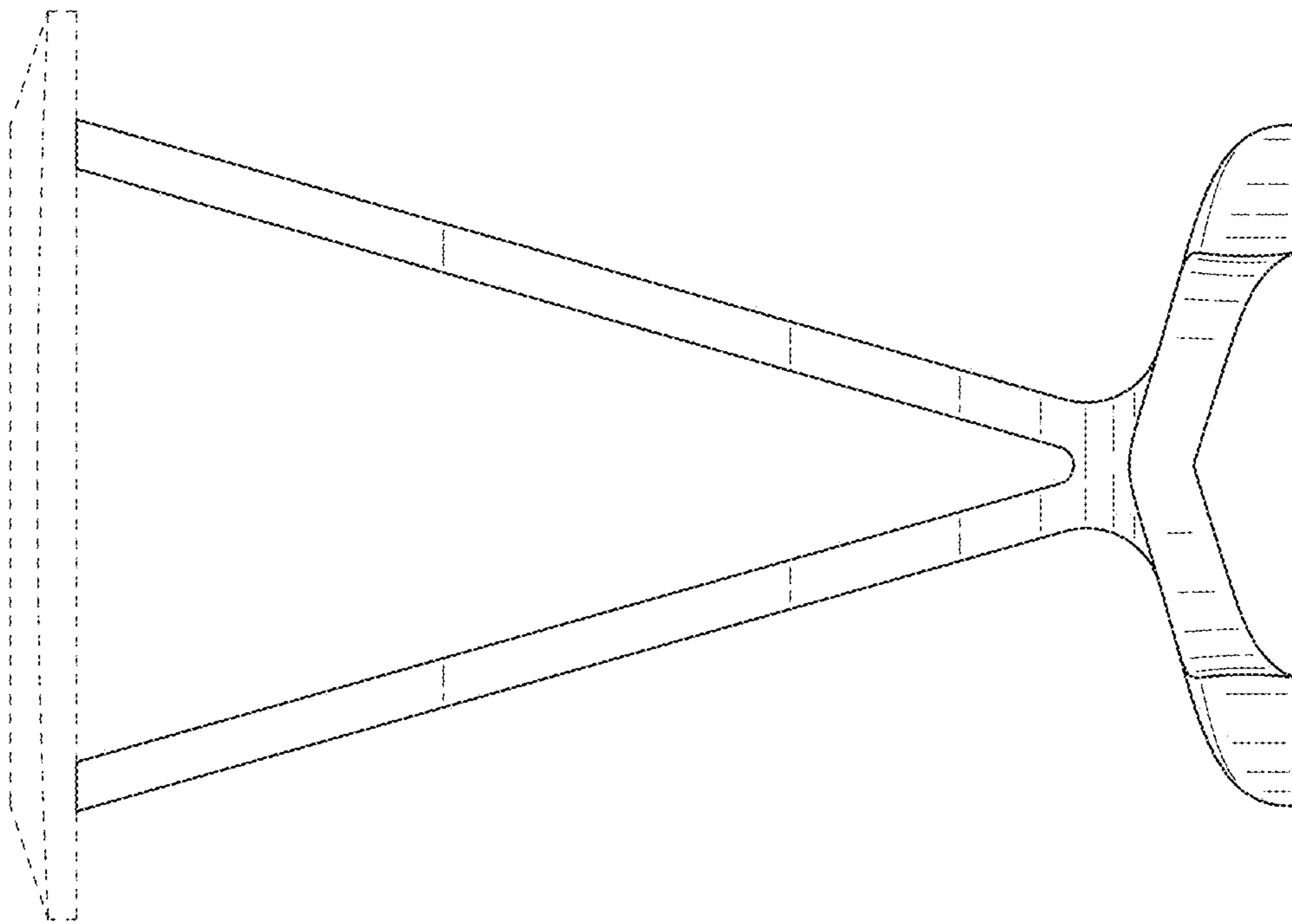


FIG. 4

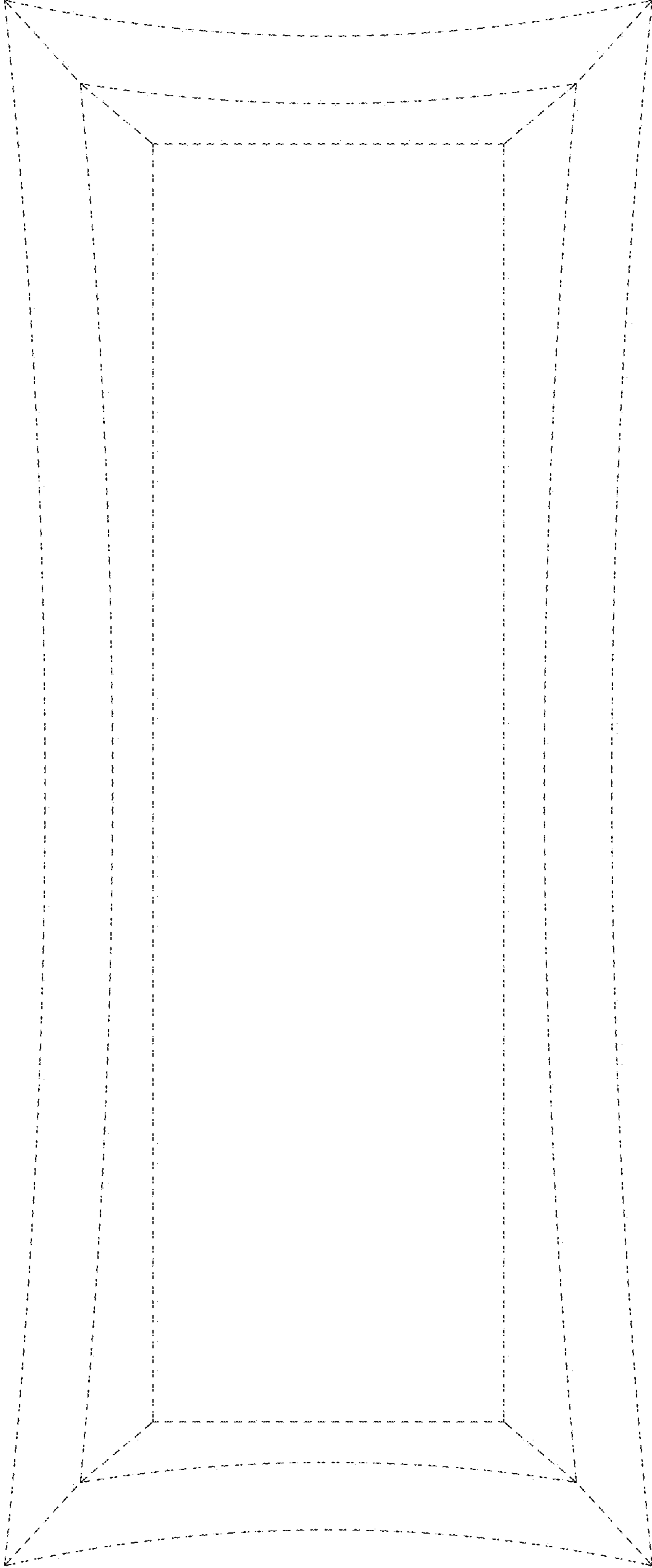


FIG. 5

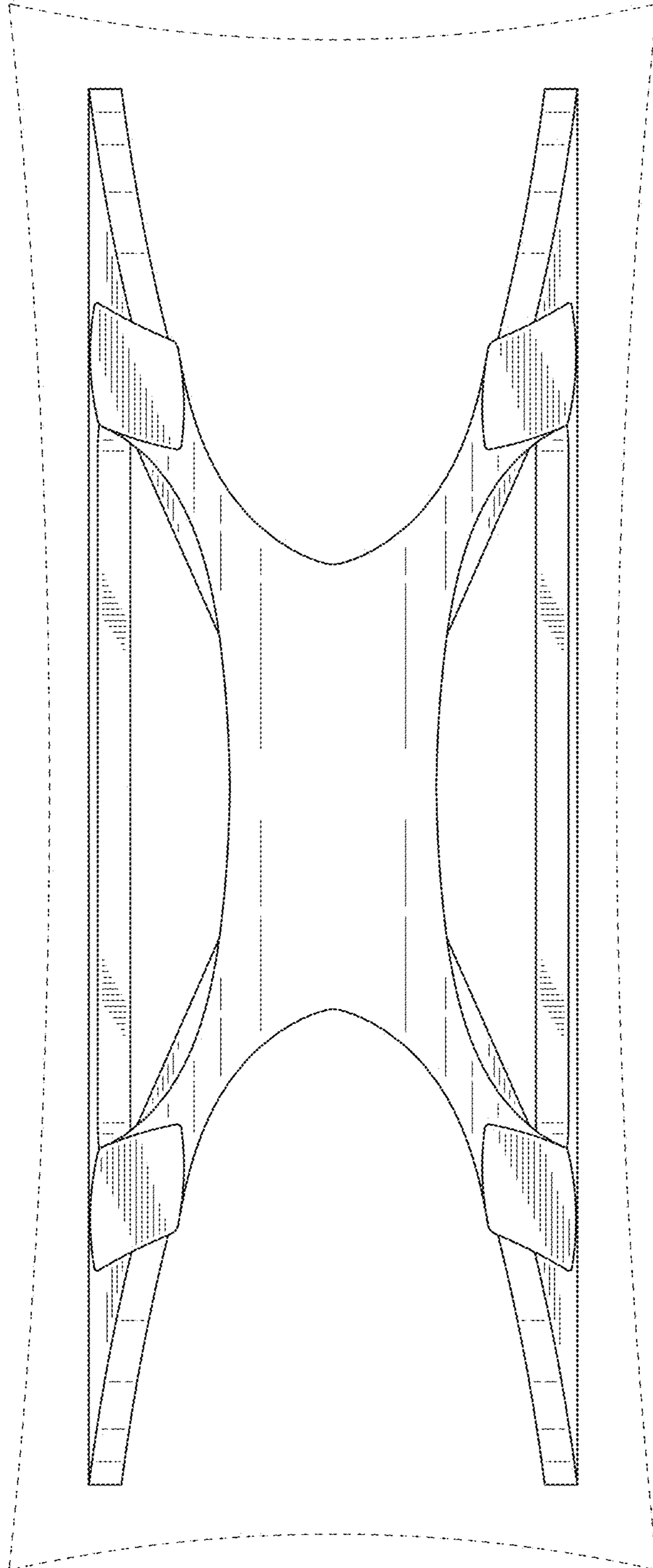


FIG. 6