



US00D871113S

(12) **United States Design Patent** (10) **Patent No.:** **US D871,113 S**
Lucas (45) **Date of Patent:** **** Dec. 31, 2019**

- (54) **HEIGHT-ADJUSTABLE WORK PLATFORM**
- (71) Applicant: **Ergotron, Inc.**, St. Paul, MN (US)
- (72) Inventor: **James Robert Lucas**, Minneapolis, MN (US)
- (73) Assignee: **Ergotron, Inc.**, St. Paul, MN (US)
- (**) Term: **15 Years**
- (21) Appl. No.: **29/576,881**
- (22) Filed: **Sep. 7, 2016**
- (51) **LOC (12) Cl.** **06-03**
- (52) **U.S. Cl.**
USPC **D6/656.15**; D6/642
- (58) **Field of Classification Search**
USPC D6/641, 642, 643, 648, 686, 689, 691.2,
D6/692, 700, 656, 656.15
CPC .. A47B 7/00; A47B 13/00; A47B 9/14; A47B
2021/0335; A47B 21/045; A47B 3/00;
A47B 5/00; A47B 5/02; A47B 5/06;
A47B 21/02; A47B 9/20; A47B 13/023
See application file for complete search history.

(56) **References Cited**

U.S. PATENT DOCUMENTS

- D304,112 S * 10/1989 Bettess D34/21
- D378,635 S * 4/1997 Studer D6/656.15
- D393,382 S * 4/1998 Rutter D6/655
- D576,427 S * 9/2008 Stebbens D6/675.1
- D595,070 S * 6/2009 Wacker D6/708.17

(Continued)

FOREIGN PATENT DOCUMENTS

- CN 304414777 12/2017

OTHER PUBLICATIONS

“Ergotron WorkFit-SR Dual Sit-Stand Workstation”. Found online Jun. 12, 2019 at amazon.com. Page dated May 6, 2016. Retrieved

from https://www.amazon.com/Ergotron-33-407-062-WorkFit-SR-Sit-Stand-Workstation/dp/B01F1P5BNE.*

(Continued)

Primary Examiner — Kendra Leslie Hamilton

(74) *Attorney, Agent, or Firm* — Schwegman Lundberg & Woessner, P.A.

(57) **CLAIM**

The ornamental design for a height-adjustable work platform, as shown and described.

DESCRIPTION

FIG. 1 is a top, front, left perspective view of a height-adjustable work platform, showing my new design, in a first operating condition.

FIG. 2 is a front elevation view of the height-adjustable work platform of FIG. 1, shown enlarged for clarity of disclosure.

FIG. 3 is a rear elevation view thereof.

FIG. 4 is a left side elevation view thereof.

FIG. 5 is a right side elevation view thereof.

FIG. 6 is a top plan view thereof.

FIG. 7 is a bottom plan view thereof.

FIG. 8 is a top, front, left perspective view of a height-adjustable work platform, showing my new design, in a second operating condition.

FIG. 9 is a front elevation view of the height-adjustable work platform of FIG. 8, shown enlarged for clarity of disclosure.

FIG. 10 is a rear elevation view thereof.

FIG. 11 is a left side elevation view thereof.

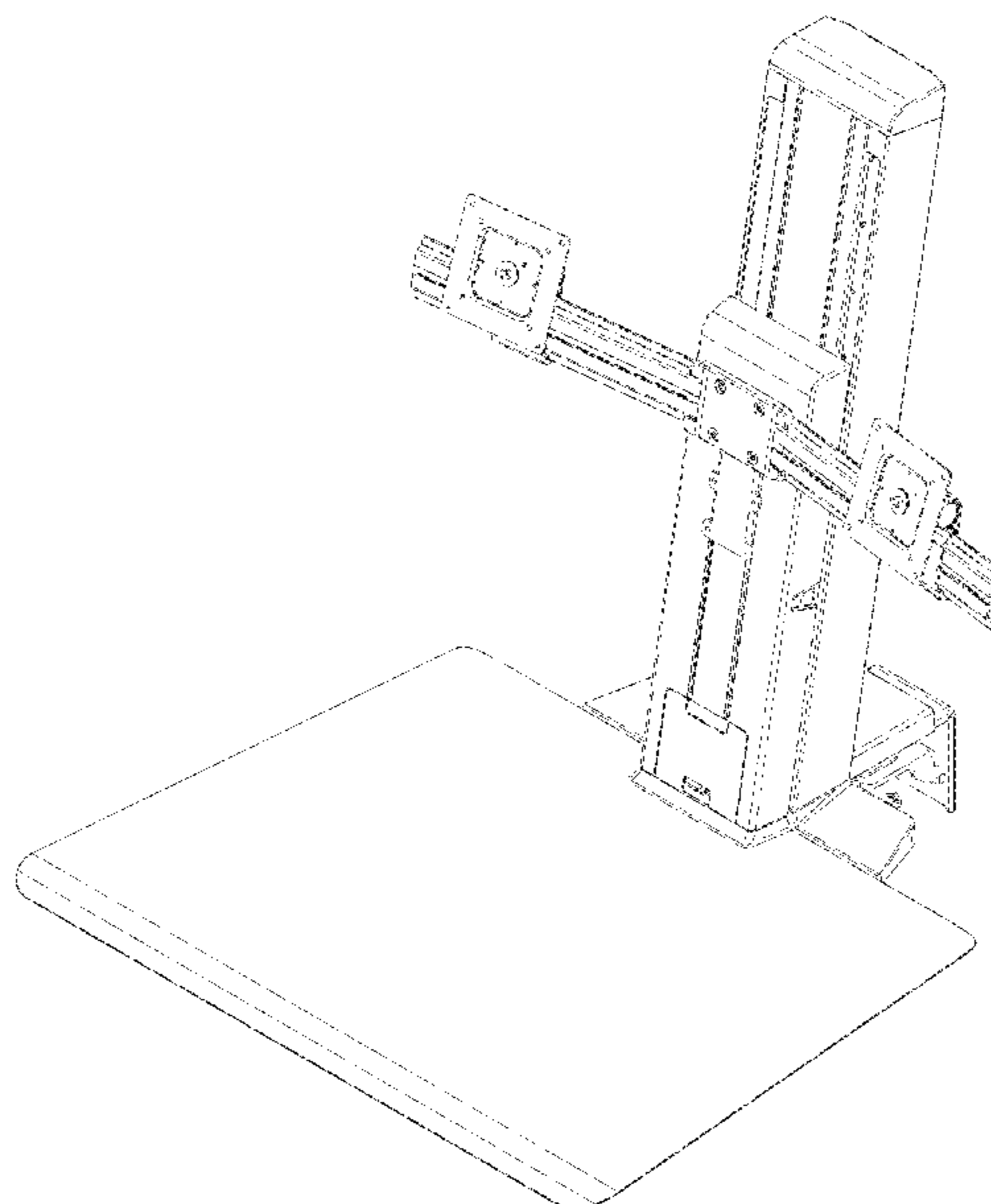
FIG. 12 is a right side elevation view thereof.

FIG. 13 is a top plan view thereof; and,

FIG. 14 is a bottom plan view thereof.

The broken lines in the drawings depict portions of the height-adjustable work platform that form no part of the claimed design.

1 Claim, 14 Drawing Sheets



(56)

References Cited

U.S. PATENT DOCUMENTS

7,721,658 B2 * 5/2010 Seeley A47B 21/0073
 108/5
 9,133,974 B2 * 9/2015 Tholkes F16M 11/046
 D769,881 S * 10/2016 Lazzi D14/452
 D770,814 S * 11/2016 Davidson D6/656.15
 D787,237 S * 5/2017 Bowman D6/656.15
 9,717,328 B1 * 8/2017 Tsai F16M 11/18
 D800,396 S * 10/2017 Coviello D30/133
 D807,211 S * 1/2018 Nikayin D10/70
 D827,337 S * 9/2018 Herring D6/641
 D832,002 S * 10/2018 Hu D6/655.13
 D843,137 S * 3/2019 Hu D6/655
 2006/0096505 A1 * 5/2006 Sykes A47B 21/02
 108/50.01
 2010/0148647 A1 * 6/2010 Burgess A47B 21/00
 312/327
 2012/0119040 A1 * 5/2012 Ergun A47B 21/02
 248/126
 2012/0187056 A1 * 7/2012 Hazzard A47B 21/02
 211/26

2012/0187256 A1 * 7/2012 Ergun A47B 9/12
 248/123.11
 2013/0126682 A1 * 5/2013 Tholkes F16M 11/046
 248/125.8
 2013/0200579 A1 * 8/2013 Abernethy B62B 3/02
 280/6.15
 2017/0013957 A1 * 1/2017 McRorie, III A47B 21/02
 2017/0049224 A1 * 2/2017 Kim A47B 21/02

OTHER PUBLICATIONS

“Ergotron WorkFit-S Dual Monitor with Worksurface”. Found online Jun. 12, 2019 at bhphotovideo.com. Page dated Aug. 17, 2015. Retrieved from https://www.bhphotovideo.com/c/product/1128683-EG/ergotron_33_349_200_workfit_s_dual_with_worksurface.html.*

“Chinese Application Serial No. 201730060738.1, Correction Notice dated Jun. 23, 2017”, w/brief English summary from agent’s letter, 2 pgs.

“Chinese Application Serial No. 201730060738.1, Response filed Aug. 30, 2017 to Correction Notice dated Jun. 23, 2017”, claims not amended, only figures amended, 29 pgs.

* cited by examiner

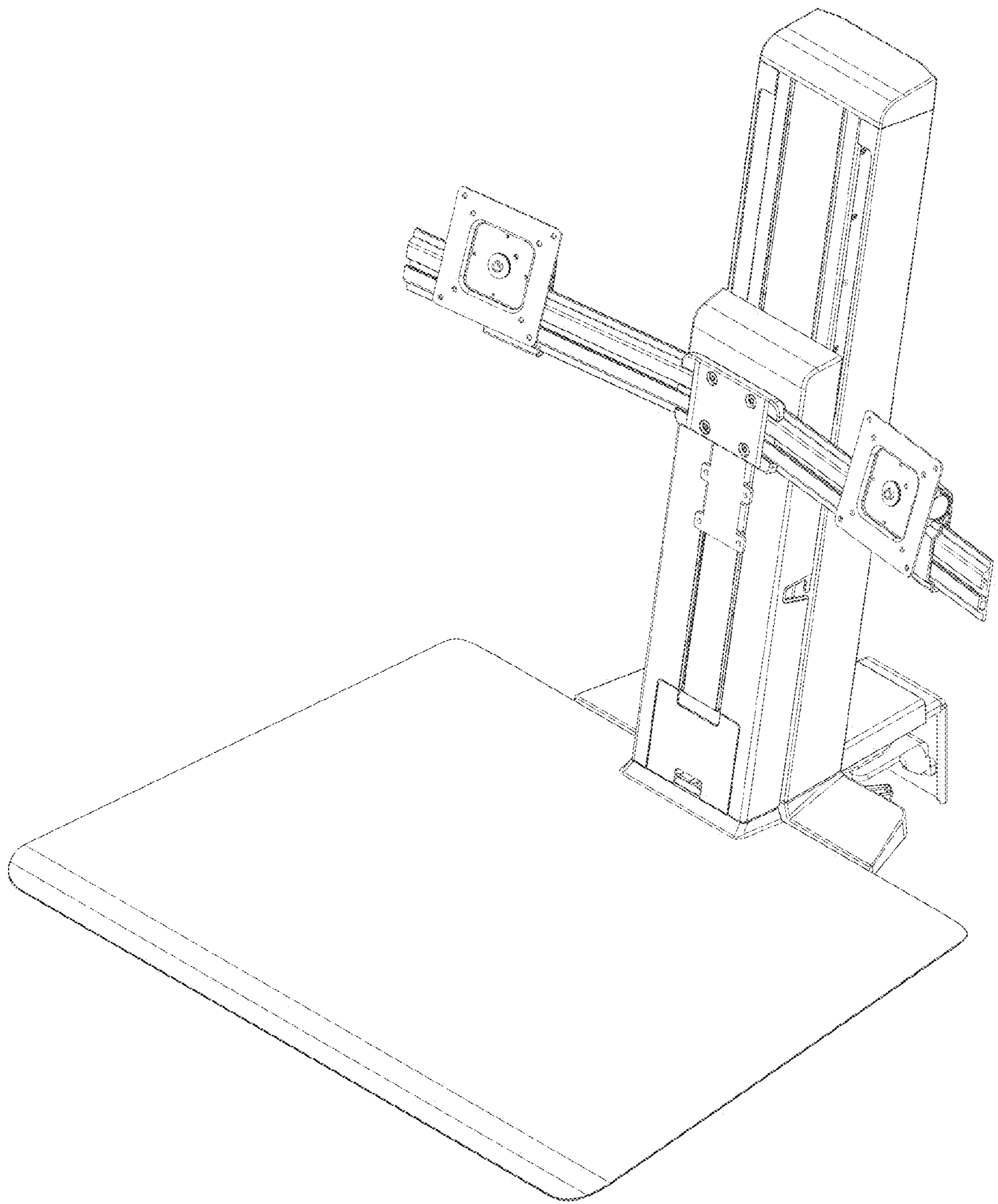


Fig. 1

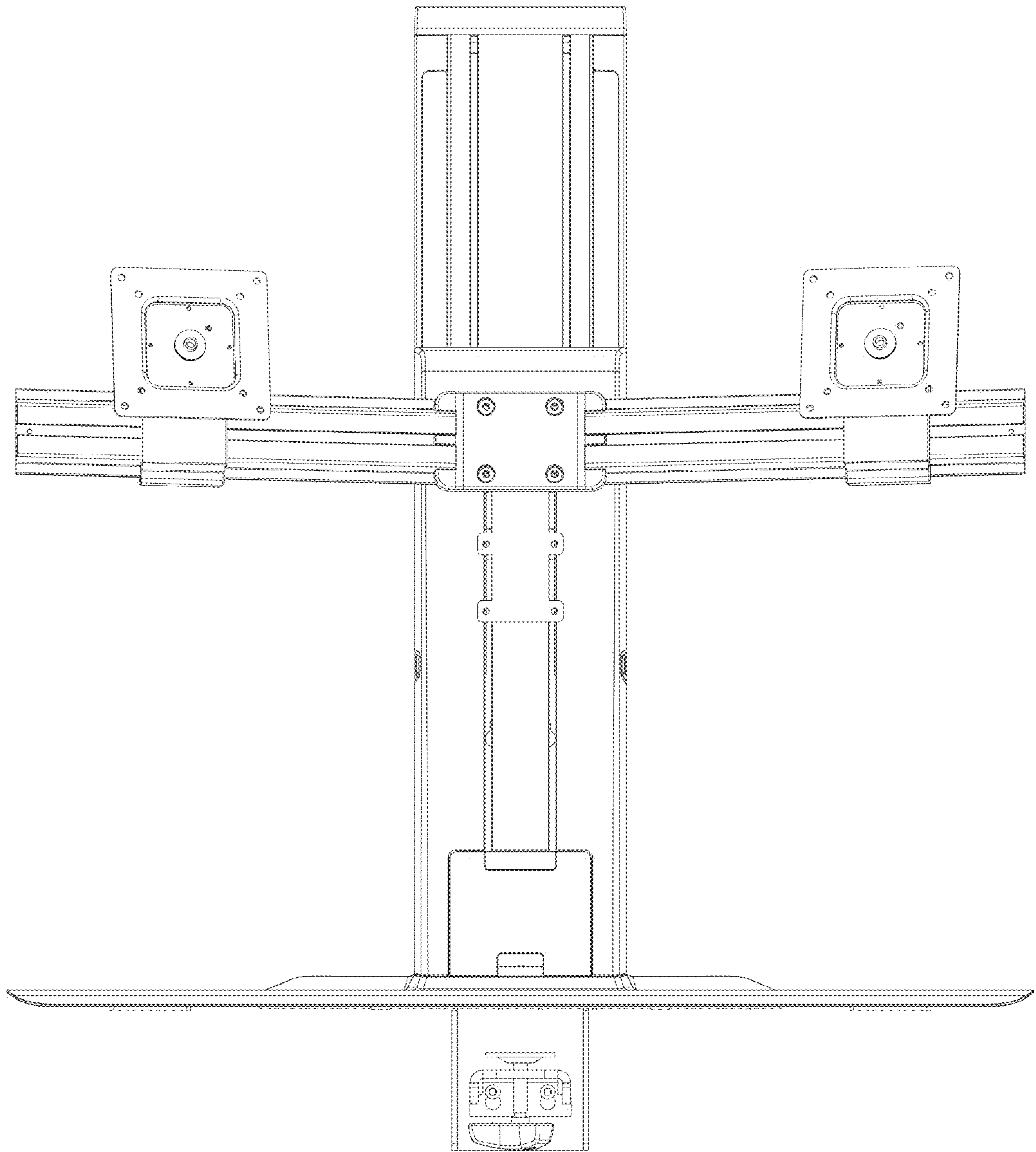


Fig. 2

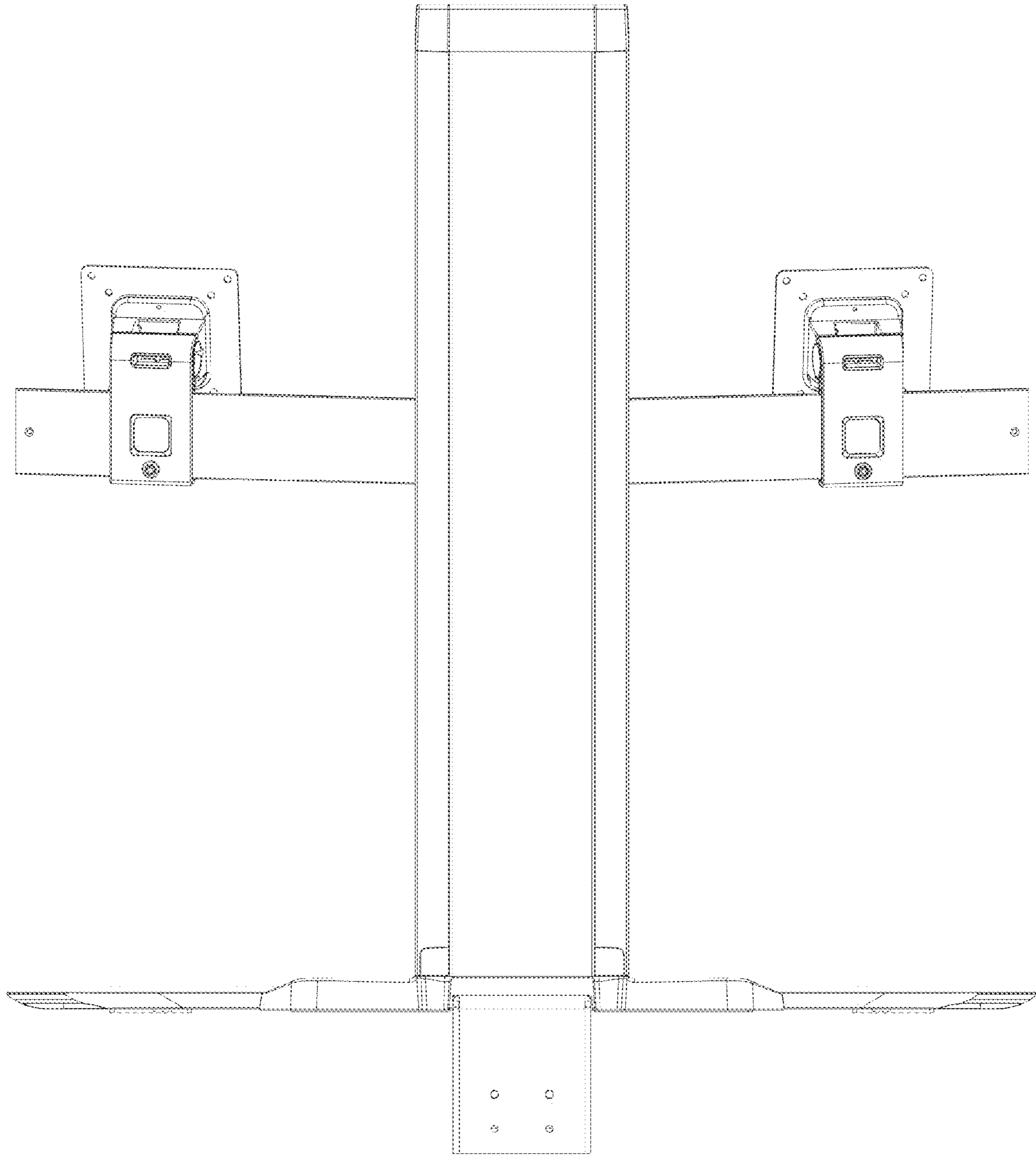


Fig. 3

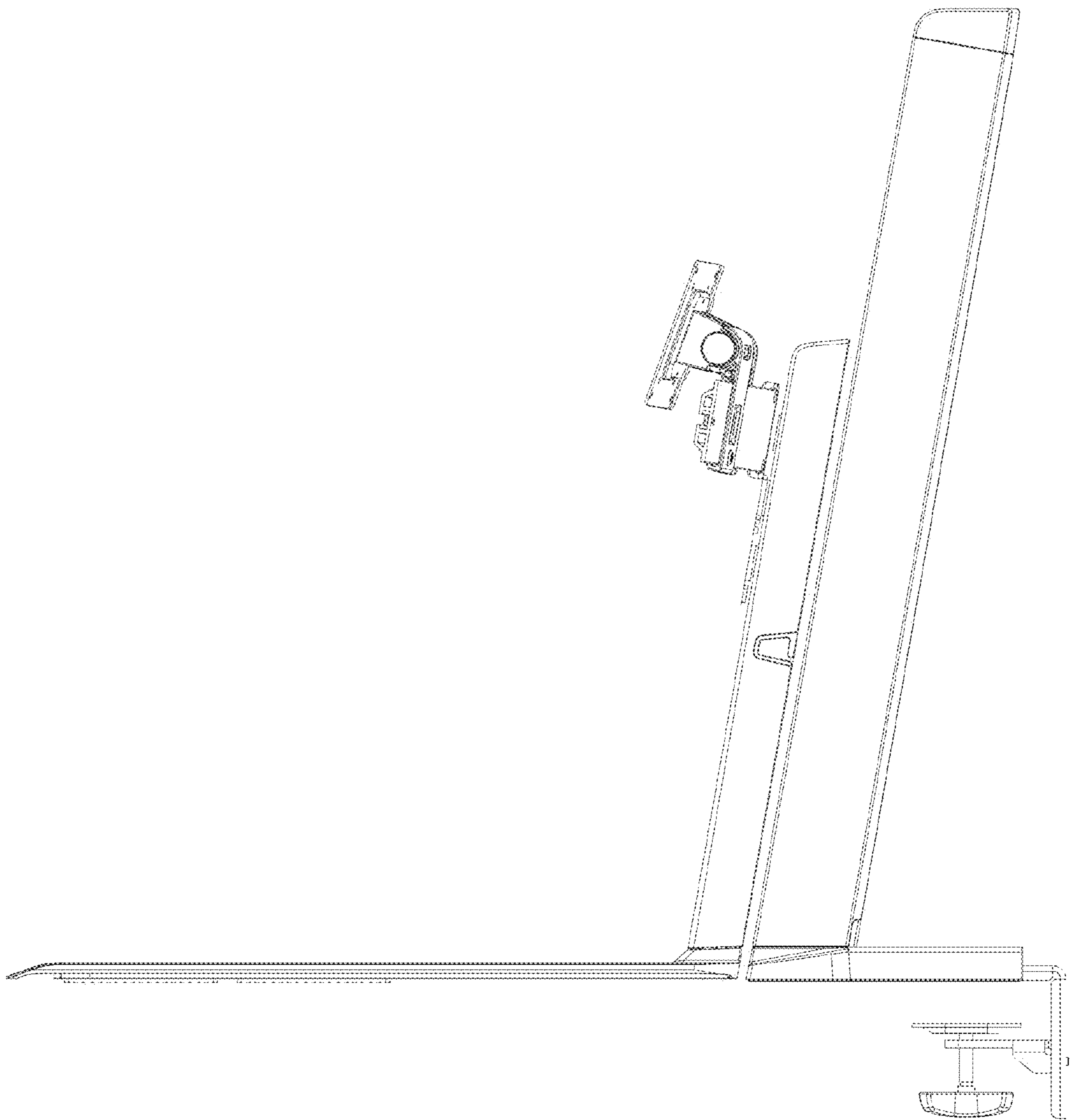


Fig. 4

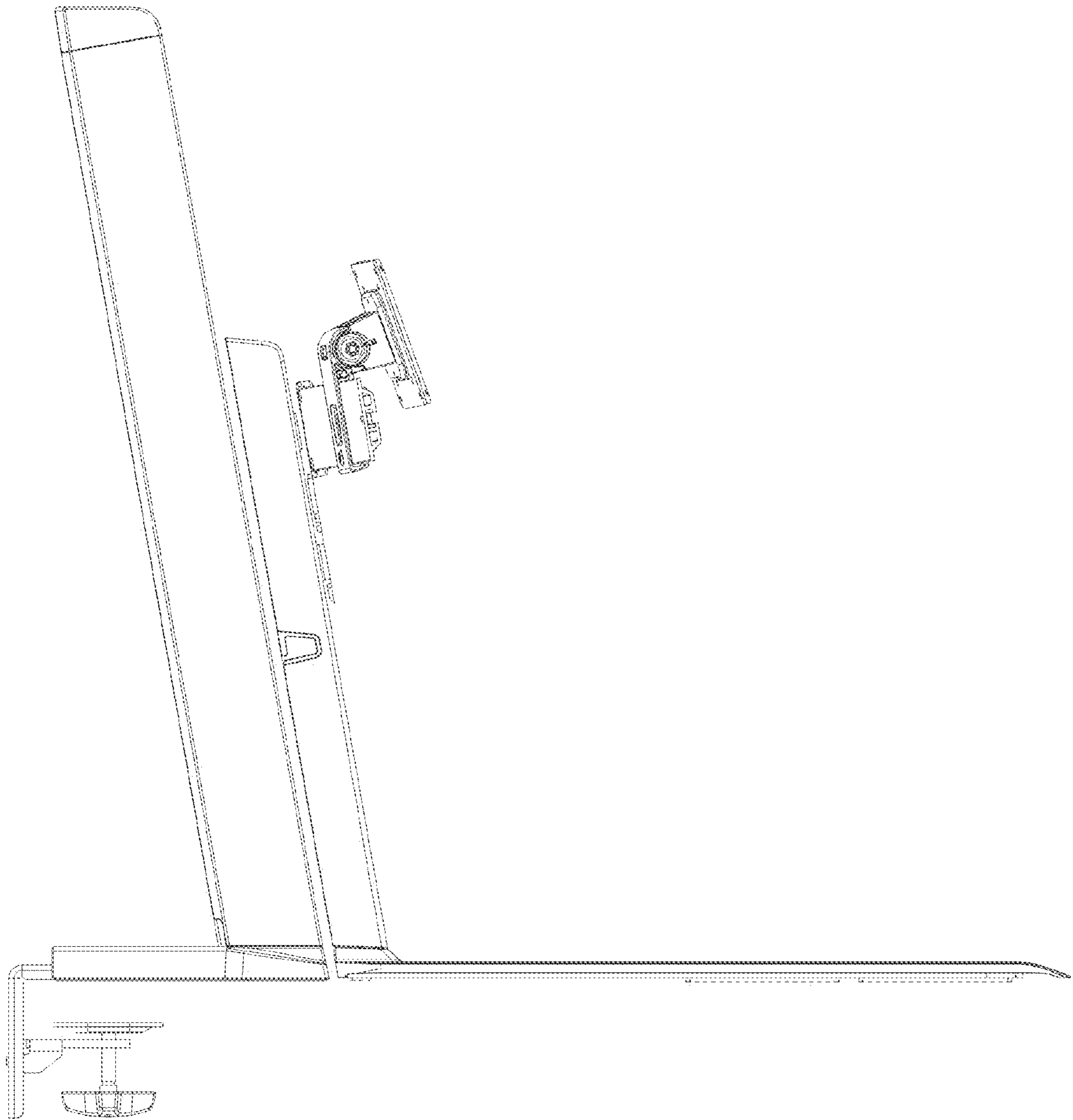


Fig. 5

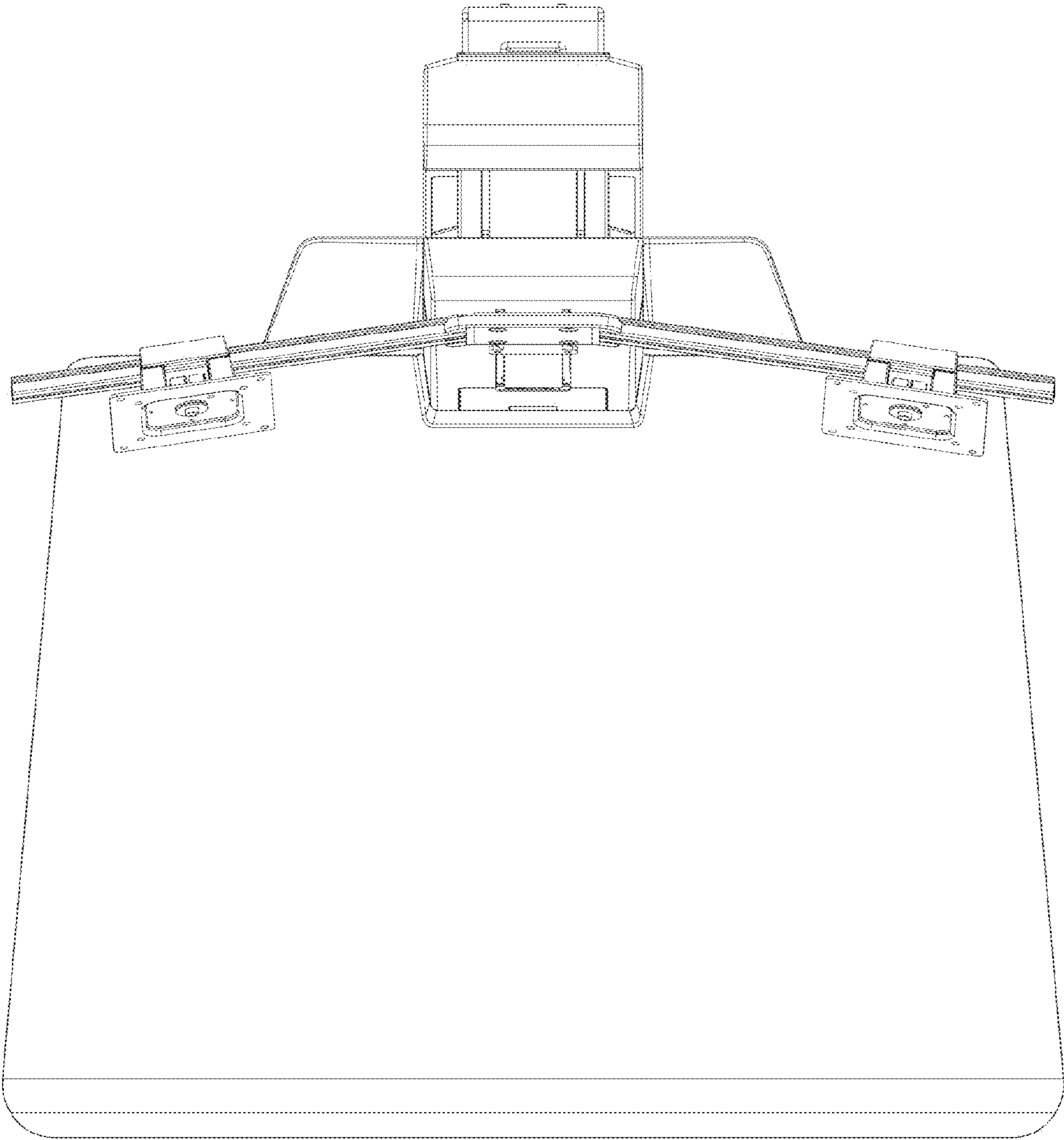


Fig. 6

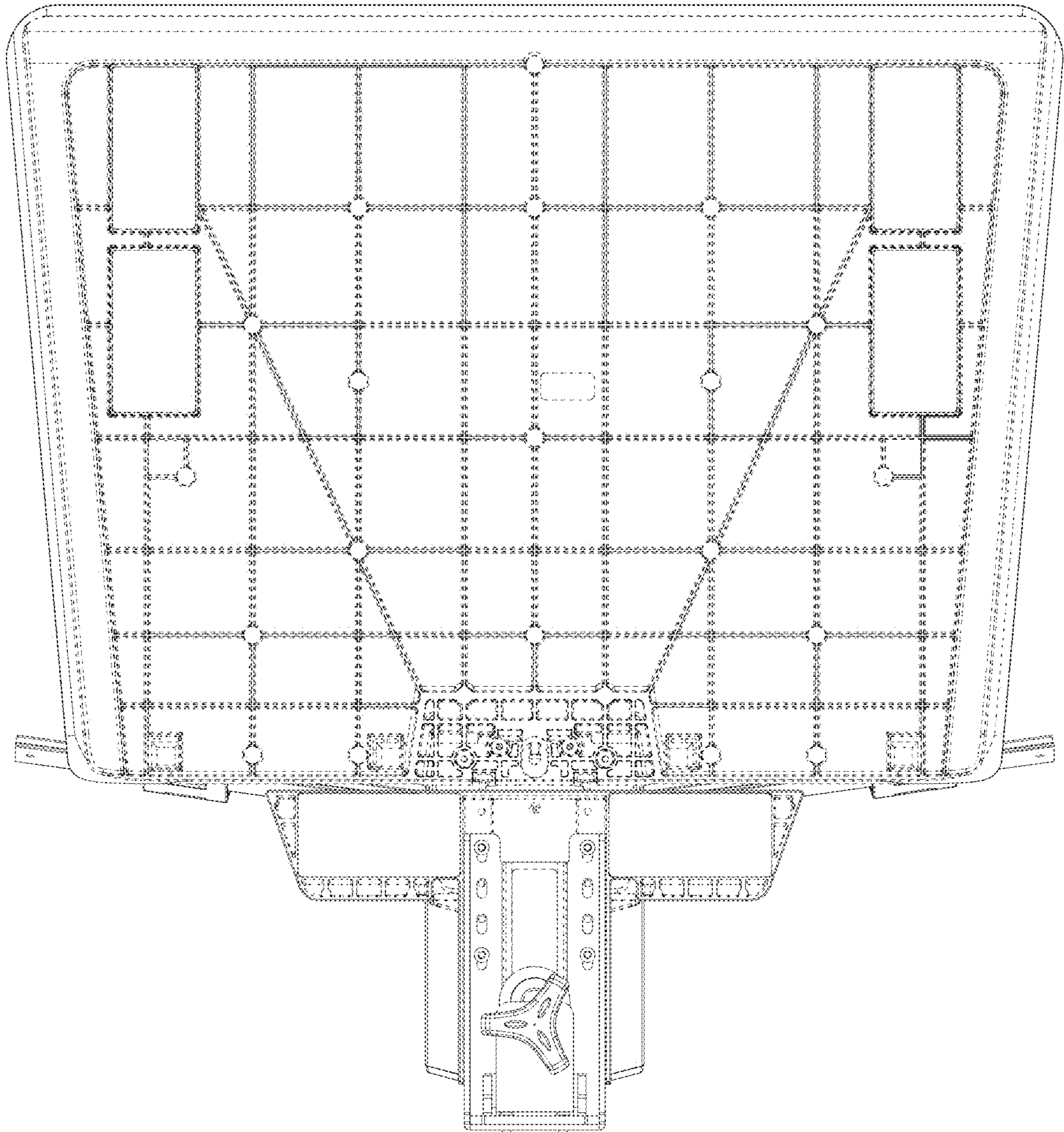


Fig. 7

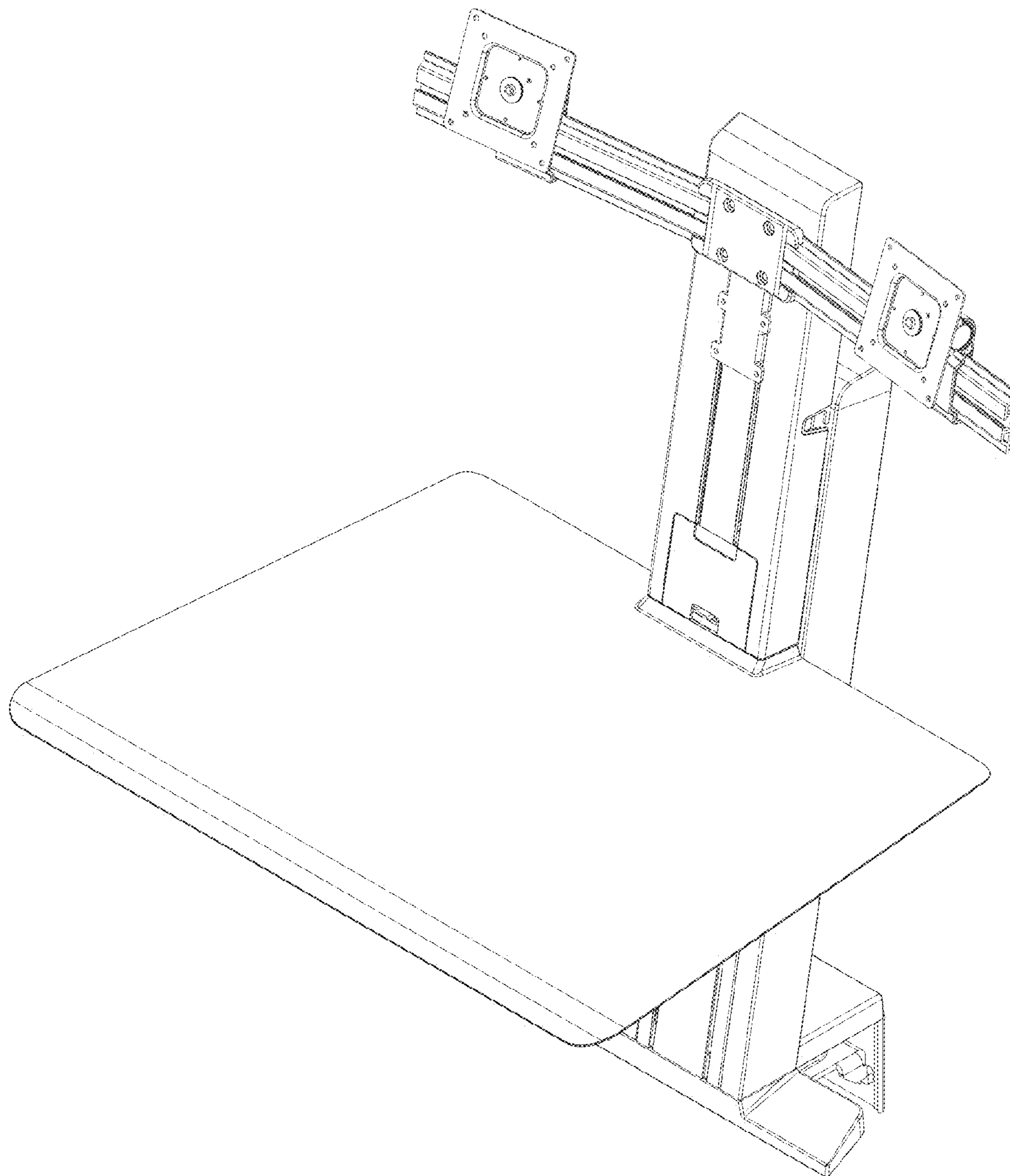


Fig. 8

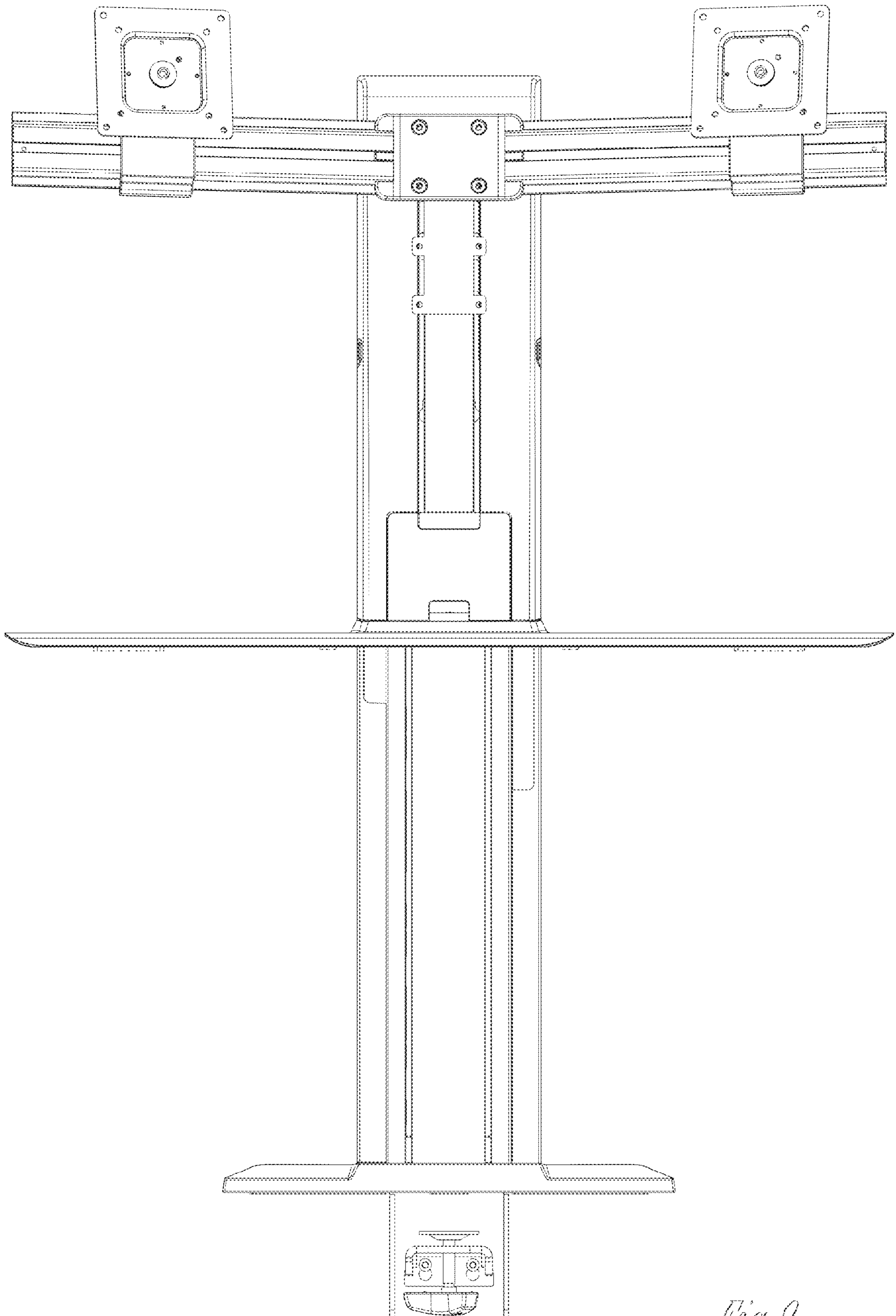


Fig. 9

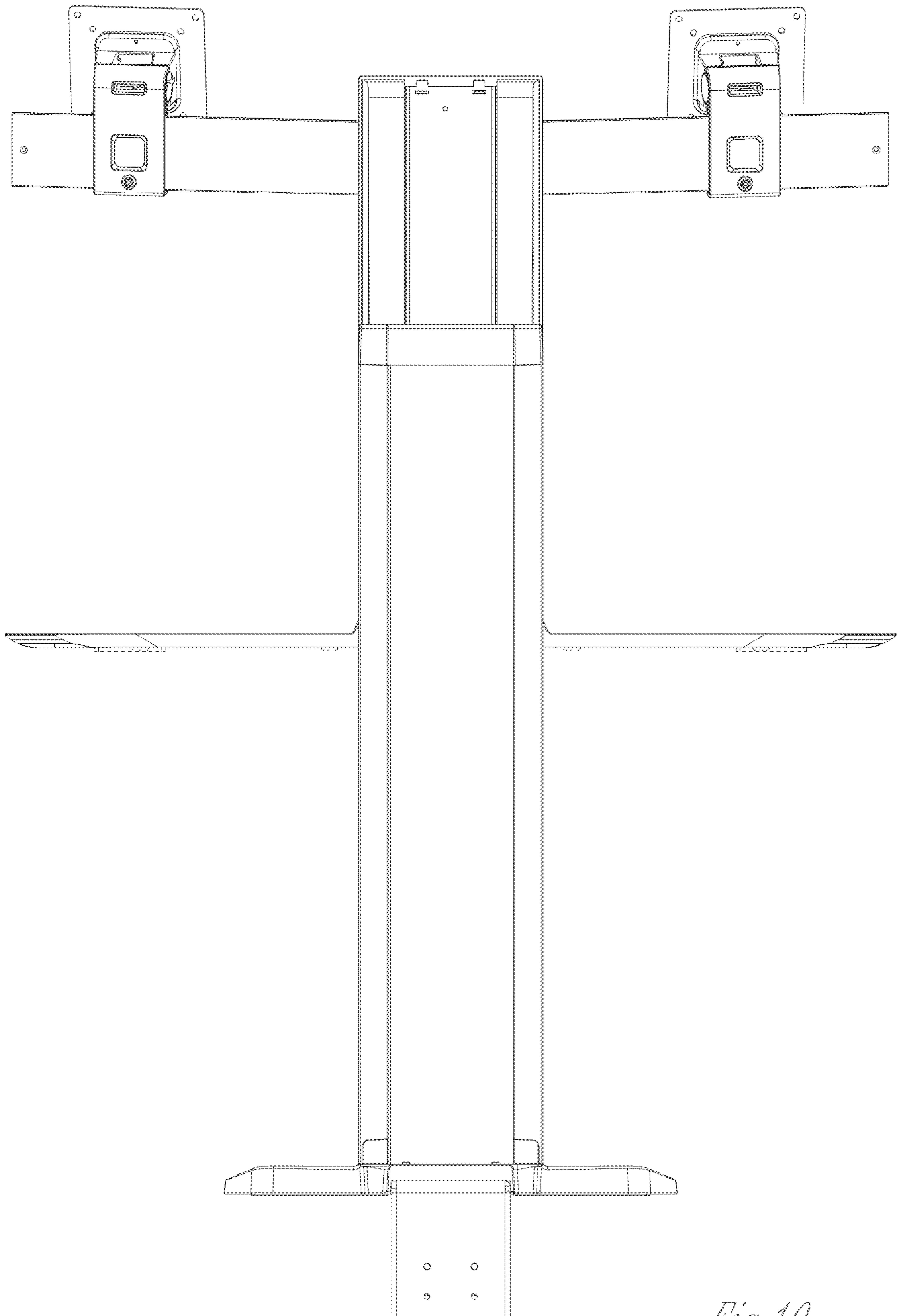


Fig. 10

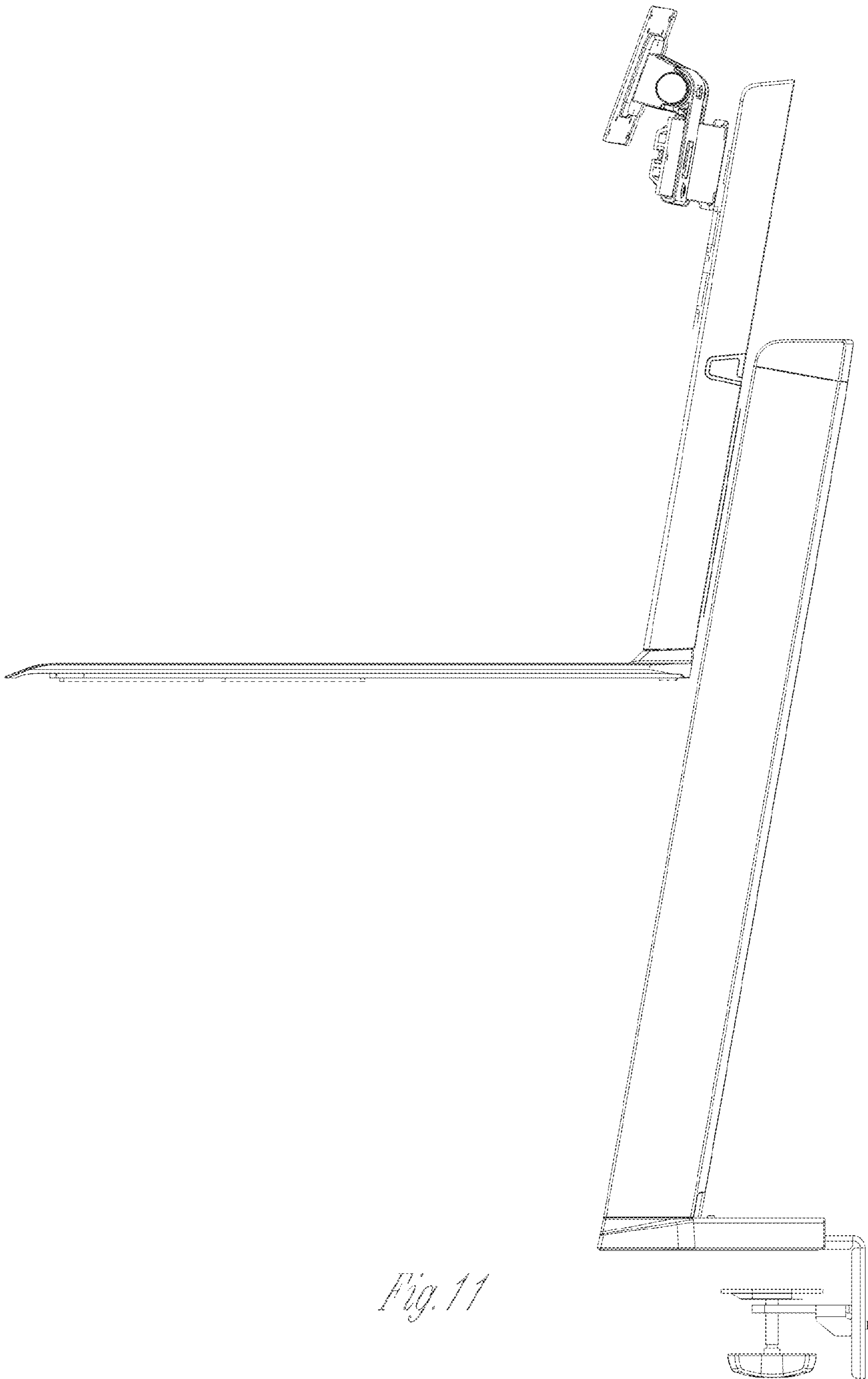


Fig. 11

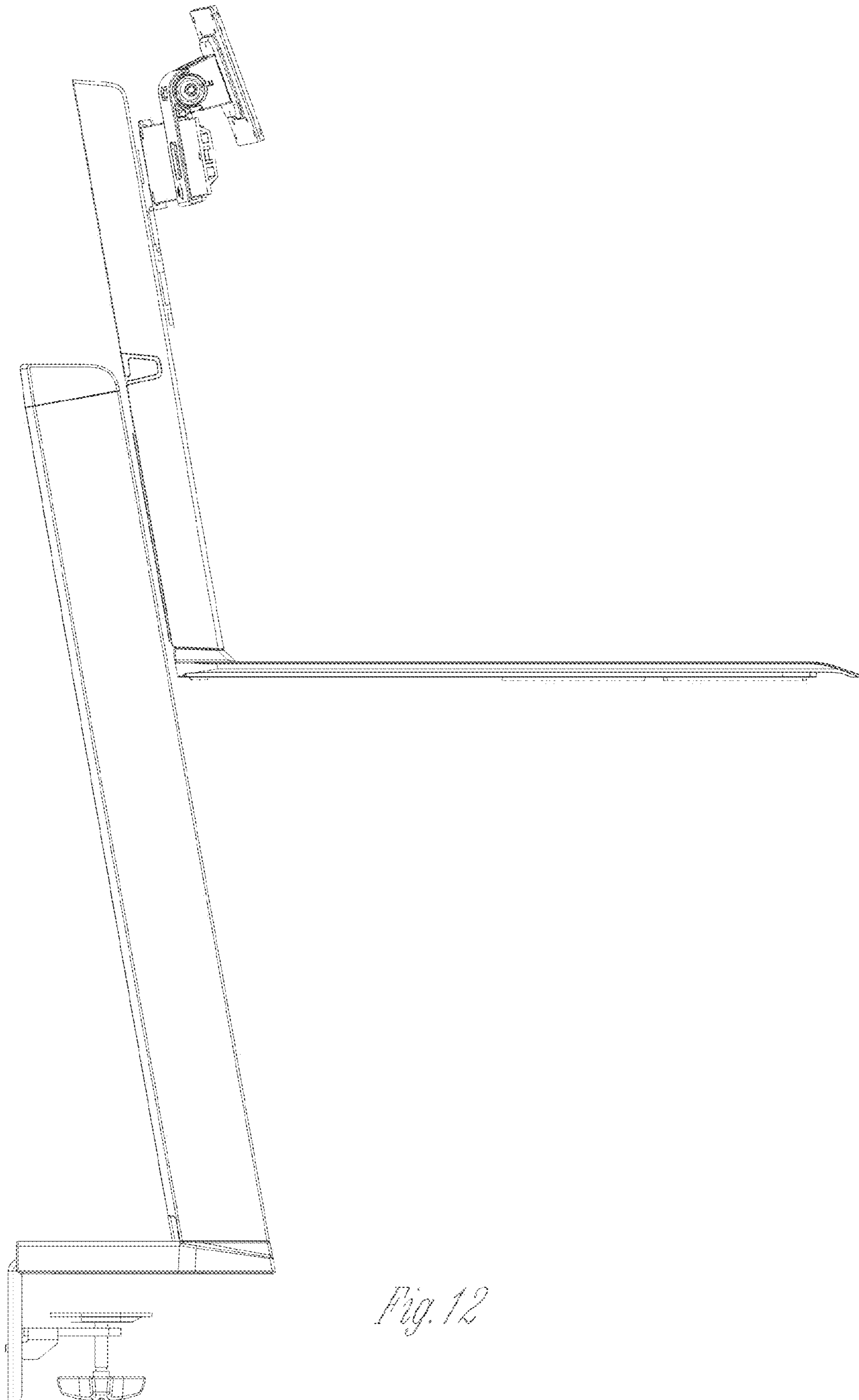


Fig. 12

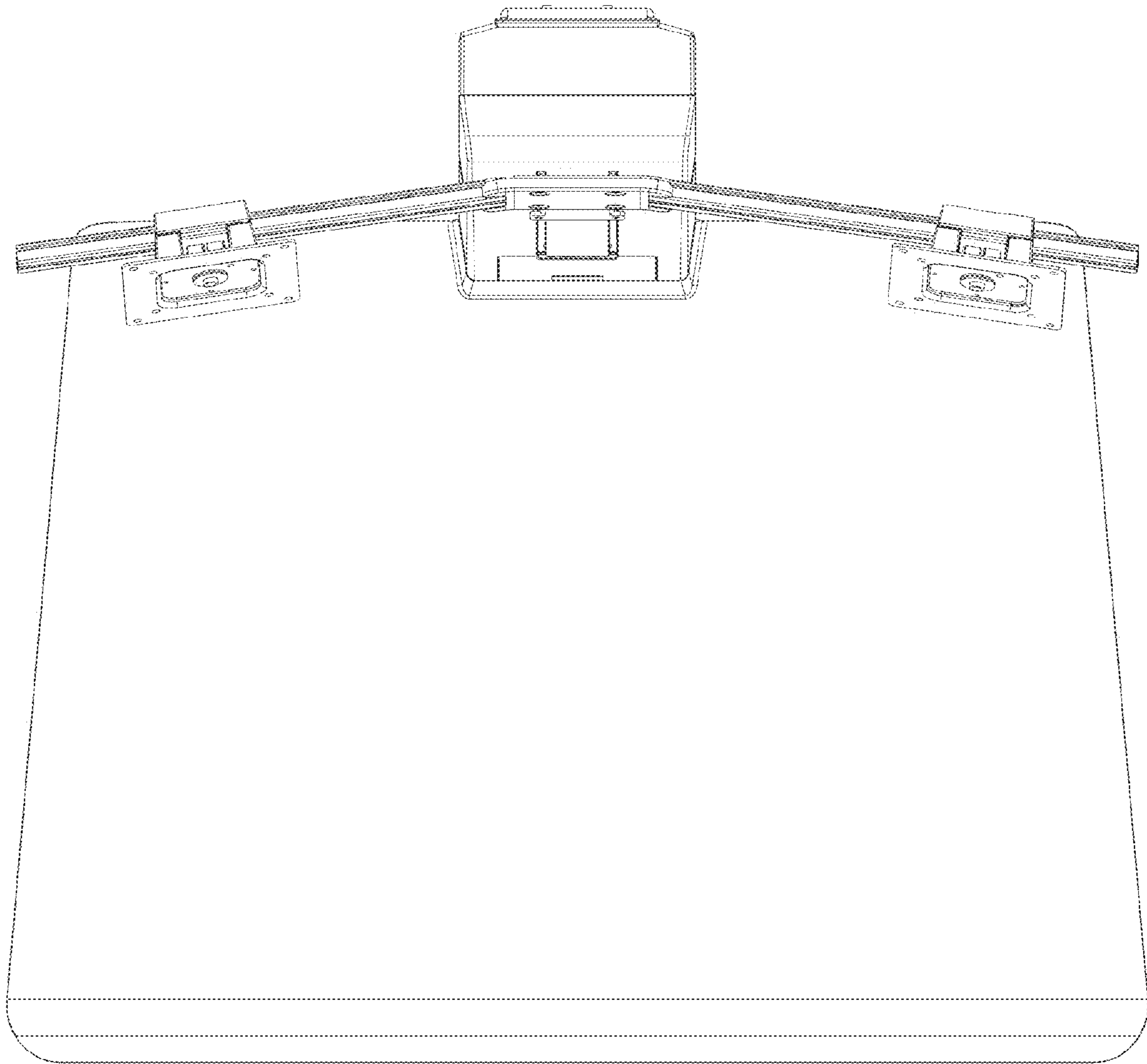


Fig. 13

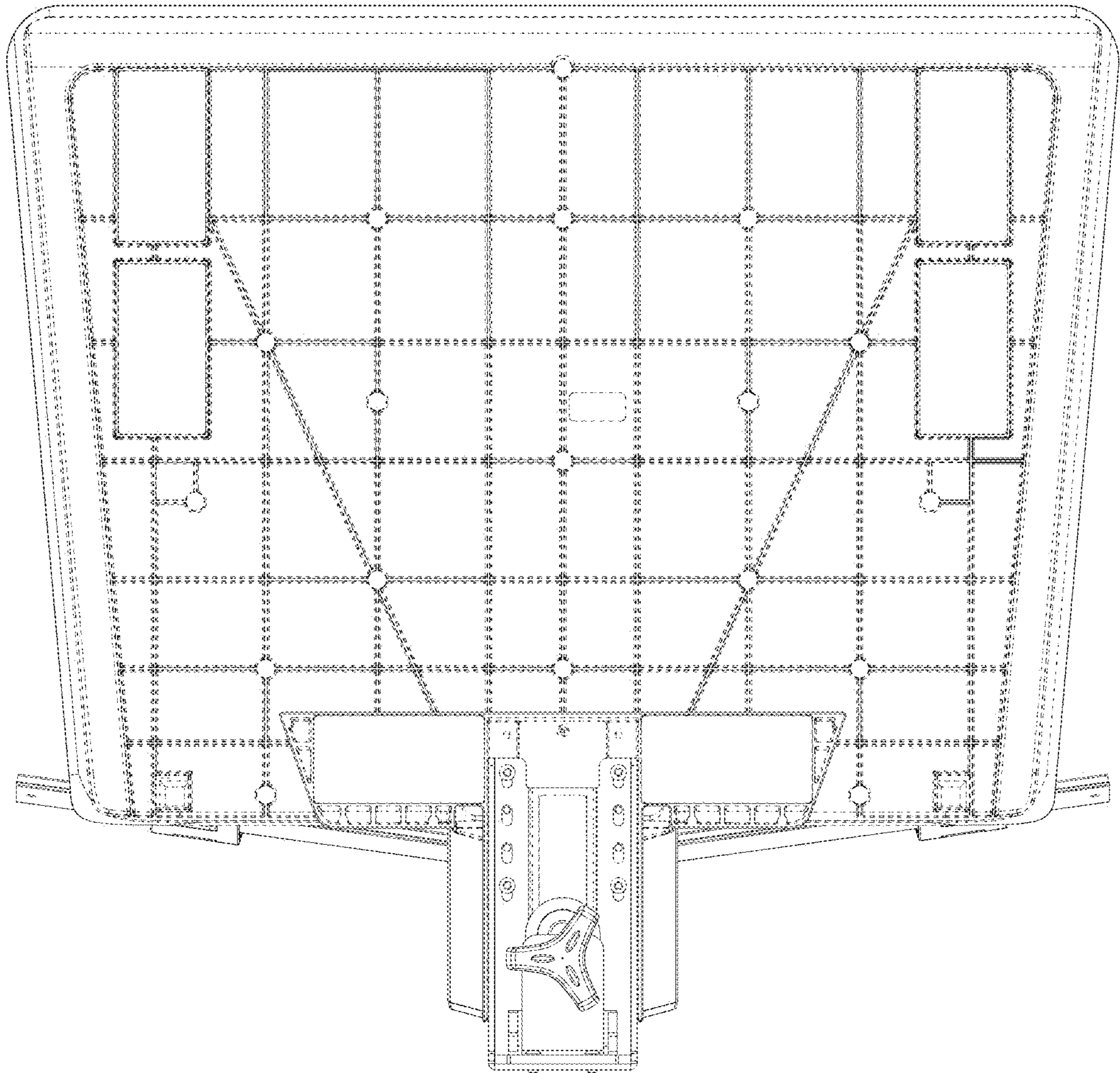


Fig. 14