



US00D871105S

(12) **United States Design Patent** (10) **Patent No.:** **US D871,105 S**  
**Pejic et al.** (45) **Date of Patent:** **\*\* \*Dec. 31, 2019**

(54) **HEM BAR APPLIED TO A WINDOW TREATMENT**

*Primary Examiner* — Kevin K Rudzinski  
*Assistant Examiner* — Clare Ann Gannon  
(74) *Attorney, Agent, or Firm* — Saidman DesignLaw Group, LLC

(71) Applicant: **Lutron Technology Company LLC**,  
Coopersburg, PA (US)

(72) Inventors: **Vladislav Pejic**, Allentown, PA (US);  
**Jason C. Killo**, Emmaus, PA (US)

(57) **CLAIM**

(73) Assignee: **Lutron Technology Company LLC**,  
Coopersburg, PA (US)

The ornamental design for a hem bar applied to a window treatment, as shown and described.

(\* ) Notice: This patent is subject to a terminal disclaimer.

**DESCRIPTION**

(\*\*) Term: **15 Years**

FIG. 1 is a perspective view of a hem bar applied to a window treatment showing my new design;  
FIG. 2 is a perspective view thereof in an alternate environment;  
FIG. 3 is a front view thereof;  
FIG. 4 is a rear view thereof;  
FIG. 5 is a top view thereof;  
FIG. 6 is a bottom view thereof;  
FIG. 7 is a left side view thereof;  
FIG. 8 is a right side view thereof;  
FIG. 9 is a perspective view of a second embodiment thereof;  
FIG. 10 is a perspective view thereof in an alternate environment;  
FIG. 11 is a front view thereof;  
FIG. 12 is a rear view thereof;  
FIG. 13 is a top view thereof;  
FIG. 14 is a bottom view thereof;  
FIG. 15 is a left side view thereof; and,  
FIG. 16 is a right side view thereof.  
The dashed broken lines depicting a roller blind represent environment that forms no part of the claim. All other dashed broken lines depict portions of the hem bar applied to a window treatment that form no part of the claim.  
The break lines shown in FIGS. 9-14 symbolize breaks in the length of the article in which the claimed design is embodied. The appearance of any portion of the article between the break lines forms no part of the claimed design.

(21) Appl. No.: **29/602,762**

(22) Filed: **May 3, 2017**

(51) **LOC (12) Cl.** ..... **06-10**

(52) **U.S. Cl.**  
USPC ..... **D6/580**

(58) **Field of Classification Search**  
USPC ..... D6/575-581; D8/358, 376; D25/55,  
D25/119, 121, 123, 125; D26/138;  
D13/155; D1/126

(Continued)

(56) **References Cited**

**U.S. PATENT DOCUMENTS**

414,090 A \* 10/1889 Taylor ..... B21C 3/06  
72/468  
2,560,836 A \* 7/1951 Zachlin ..... H01M 4/22  
174/17 CT

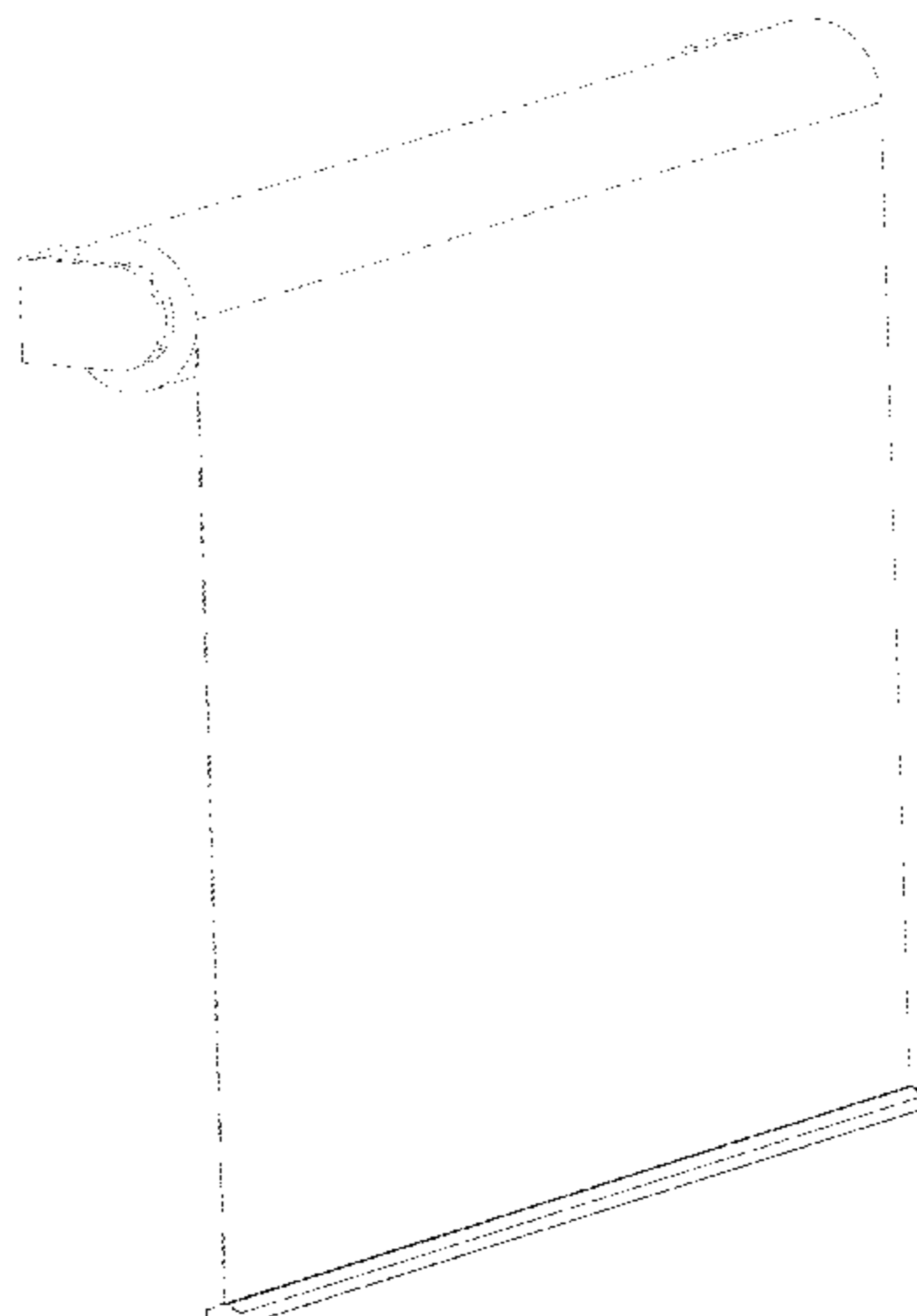
(Continued)

**OTHER PUBLICATIONS**

“Vintage Finds: Monopoly!” Constellation & Co. Jul. 19, 2011  
<<https://www.constellationco.com/blog/blog/2011/07/vintage-finds-monopoly>> Accessed on Sep. 14, 2018.\*

(Continued)

**1 Claim, 8 Drawing Sheets**



(58) **Field of Classification Search**

CPC . A01G 9/222; A47H 1/04; A47H 1/13; A47H 2/00; A47H 23/00; A47H 23/01; A47H 23/06; A47H 23/10; A47H 5/00; A47H 5/03; A47H 5/06; E06B 2009/1505; E06B 2009/247; E06B 2009/2476; E06B 2009/2494; E06B 2009/2622; E06B 2009/2625; E06B 2009/2627; E06B 2009/524; E06B 9/24; E06B 9/26; E06B 9/262; E06B 9/264; E06B 9/28; E06B 9/302; E06B 9/303; E06B 9/322; E06B 9/323; E06B 9/34; E06B 9/386; E06B 9/388; E06B 9/40; E06B 9/42; E06B 9/44; E06B 9/521; E06B 9/56; E06B 9/60

See application file for complete search history.

(56) **References Cited**

U.S. PATENT DOCUMENTS

3,545,154 A \* 12/1970 Bobzin ..... E04B 9/0435  
52/314  
3,754,994 A \* 8/1973 Roach ..... H01M 4/22  
204/194  
5,052,337 A \* 10/1991 Talcott ..... D06P 5/003  
118/400  
D344,809 S \* 3/1994 Bancroft ..... D25/121  
5,320,154 A \* 6/1994 Colson ..... E06B 9/171  
160/121.1  
5,410,454 A \* 4/1995 Murase ..... G02B 6/0043  
362/223  
D388,182 S \* 12/1997 Payton ..... D25/121  
D467,670 S \* 12/2002 Krieger ..... E06B 9/171  
D25/121

6,951,401 B2 \* 10/2005 Van Hees ..... G02B 6/0031  
362/555  
7,174,940 B2 \* 2/2007 Nien ..... E06B 9/42  
160/120  
7,510,111 B2 \* 3/2009 Mikkelsen ..... G03B 21/58  
235/375  
7,900,680 B2 \* 3/2011 Garmyn ..... E06B 9/42  
160/23.1  
D656,808 S \* 4/2012 Arvinte ..... D8/90  
D697,335 S \* 1/2014 Dekker ..... D6/580  
D706,112 S \* 6/2014 Kondratuk ..... D8/343  
8,857,494 B2 10/2014 Kirby et al.  
8,931,540 B2 1/2015 Filko  
D746,669 S \* 1/2016 McBride ..... E04B 1/40  
D25/121  
D756,592 S \* 5/2016 Bucks ..... E04B 1/40  
D1/125  
2004/0182521 A1 \* 9/2004 Rossato ..... E06B 9/26  
160/84.04  
2011/0049071 A1 \* 3/2011 Hart ..... E06B 9/48  
211/124  
2012/0048262 A1 \* 3/2012 Chang ..... E06B 7/084  
126/702  
2015/0047792 A1 \* 2/2015 Lukosiunas ..... E06B 9/26  
160/84.05  
2017/0009524 A1 \* 1/2017 Dwarka ..... E06B 9/24

OTHER PUBLICATIONS

Bethaham Steel Company Carbon Steel Bar Representative Sections Photographs. p. 13, row 16. 1937.\*  
U.S. Appl. No. 29/602,225, filed Apr. 28, 2017 (unpublished).

\* cited by examiner

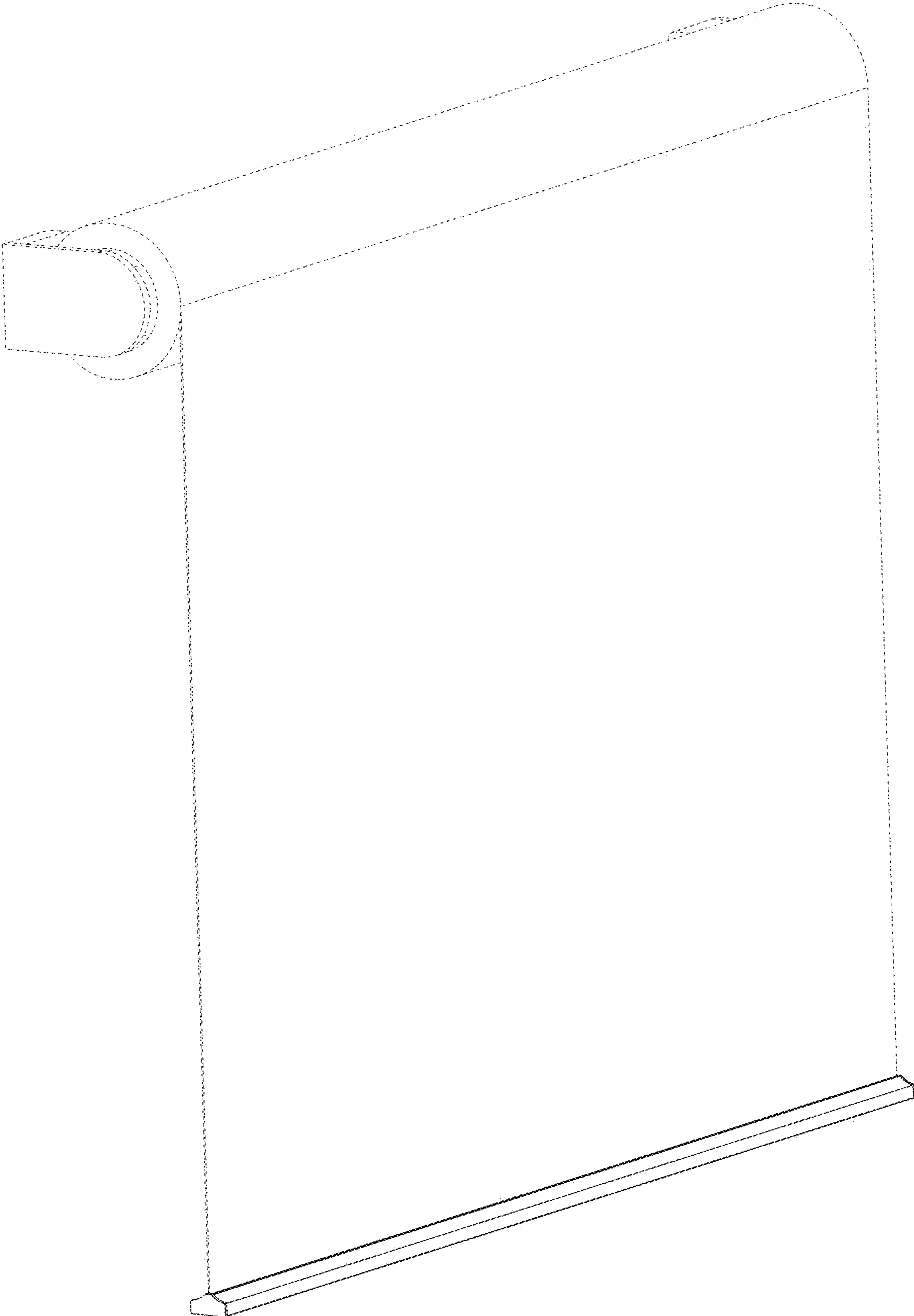


FIG. 1

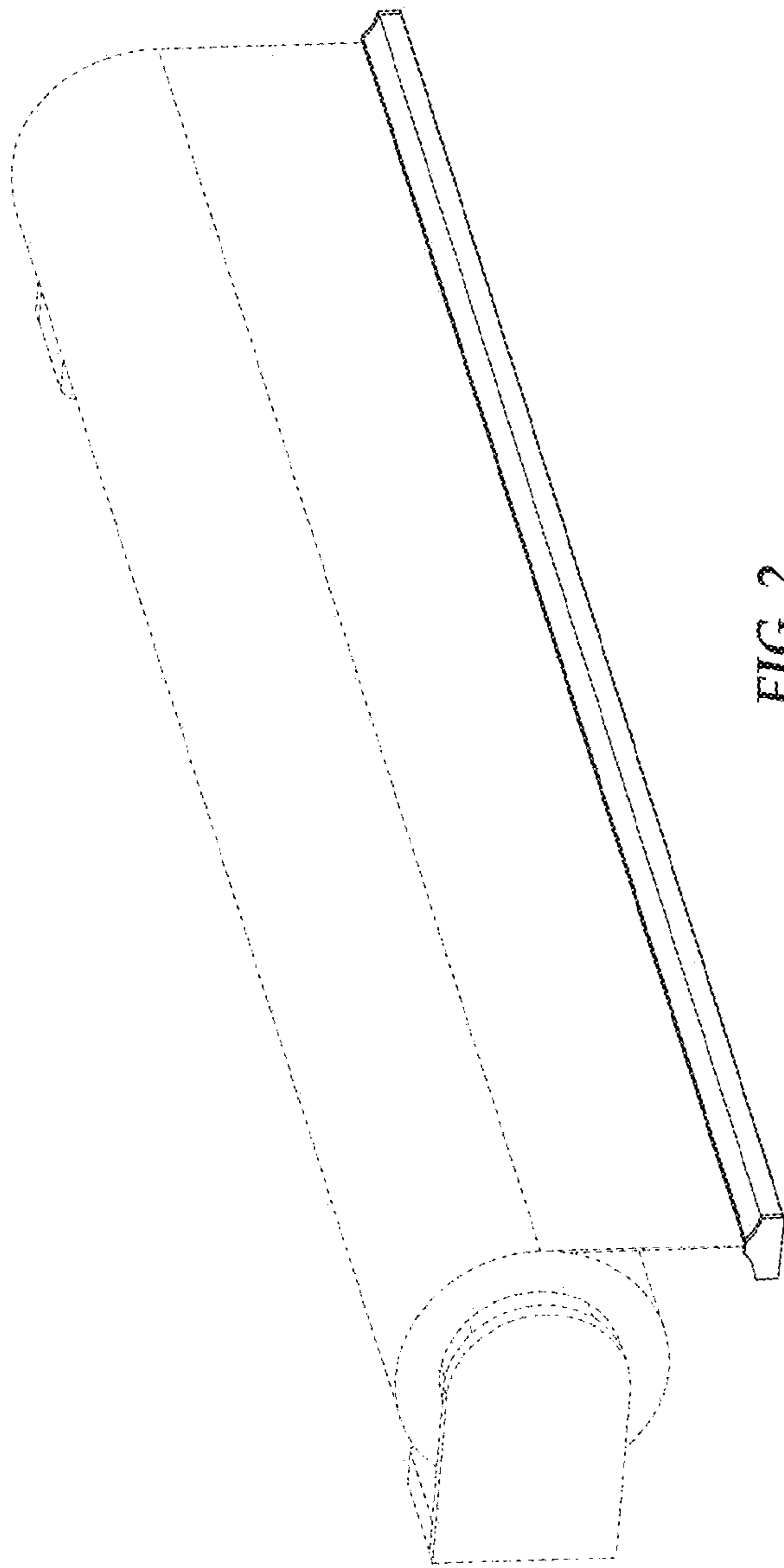


FIG. 2

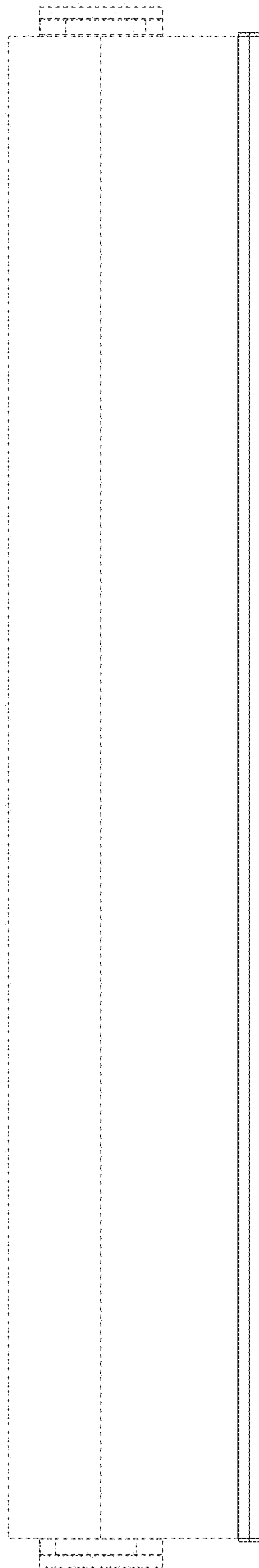


FIG. 3

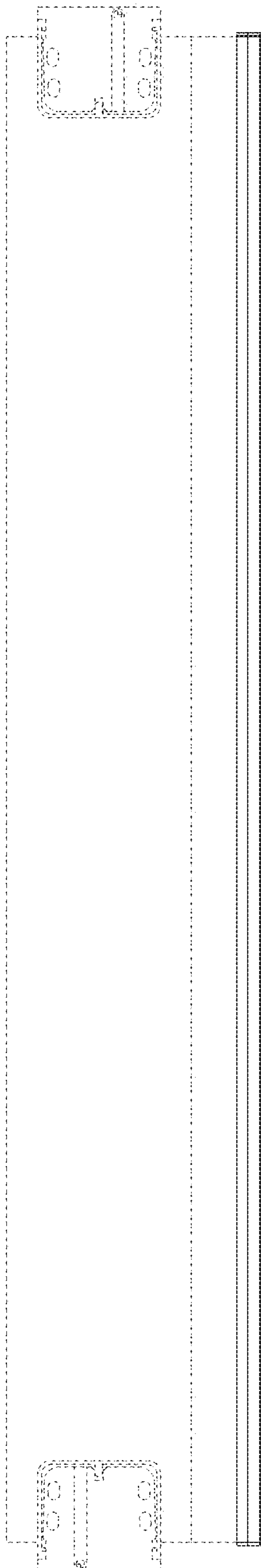


FIG. 4

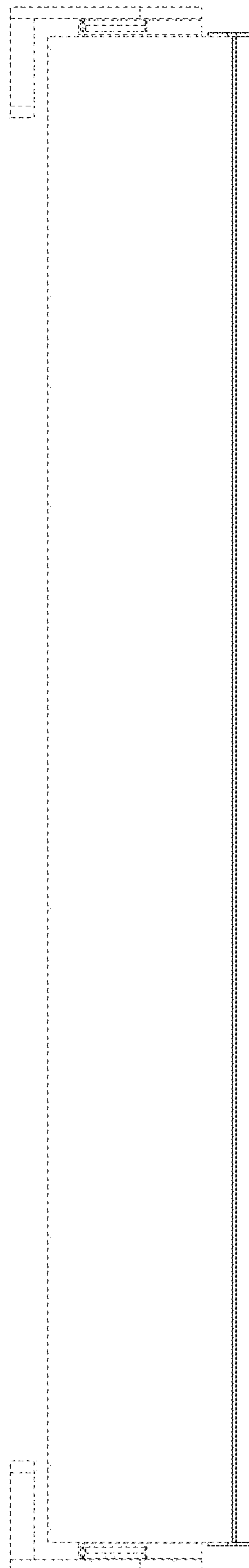


FIG. 5



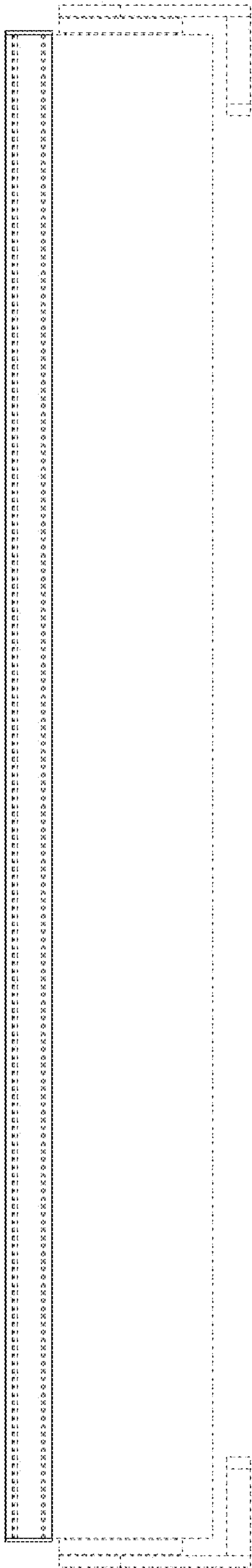


FIG. 6

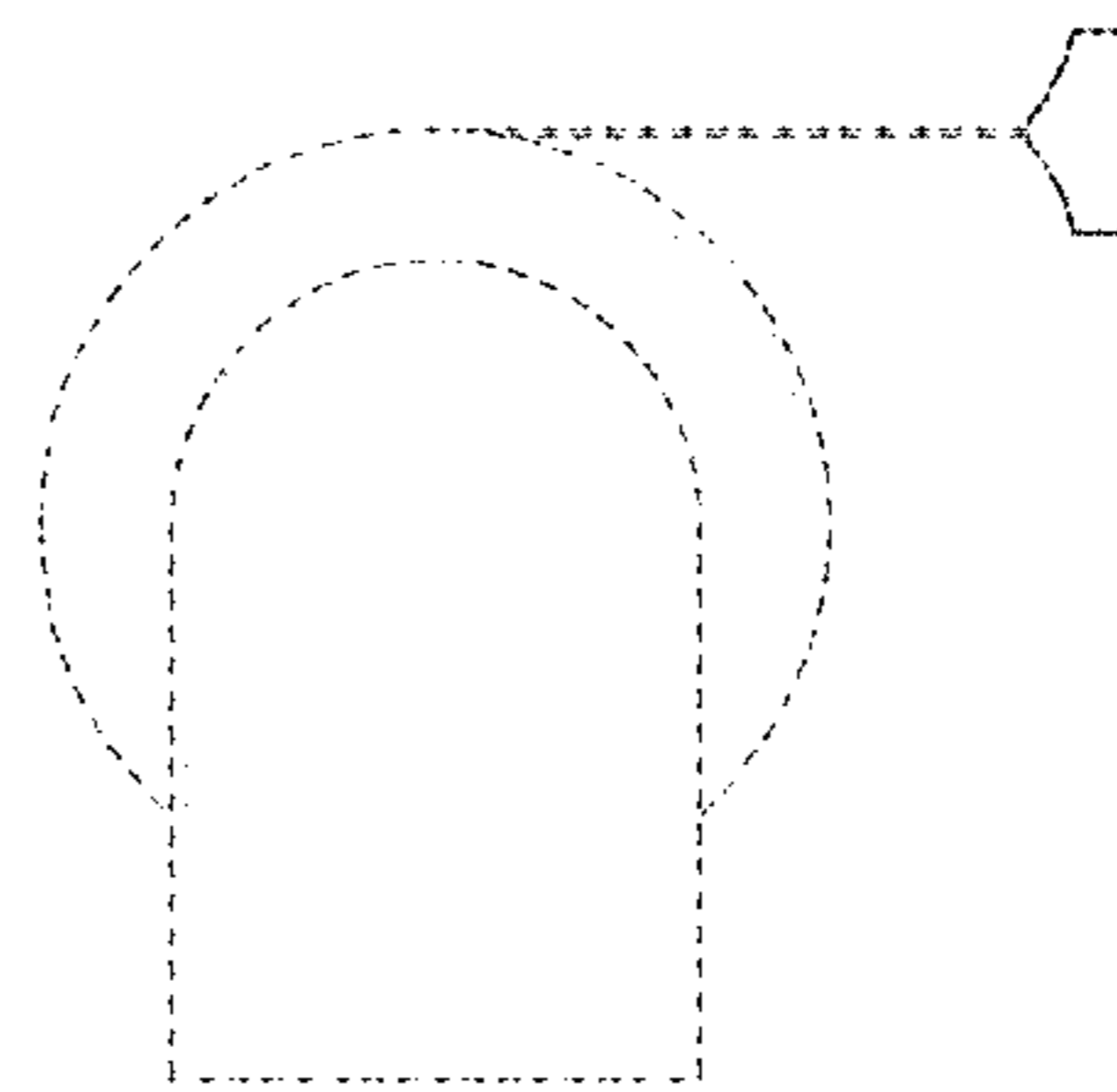


FIG. 7

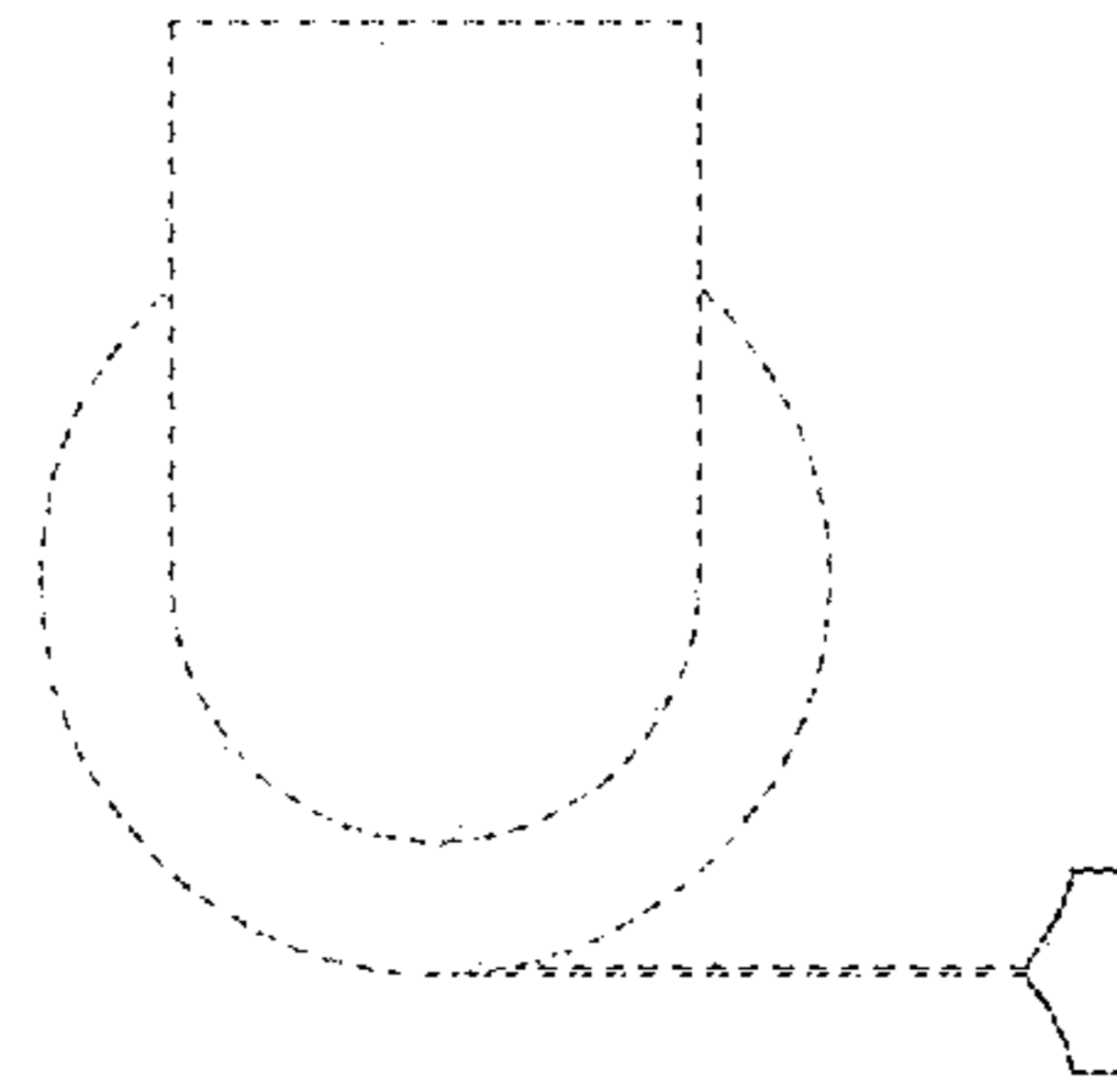


FIG. 8

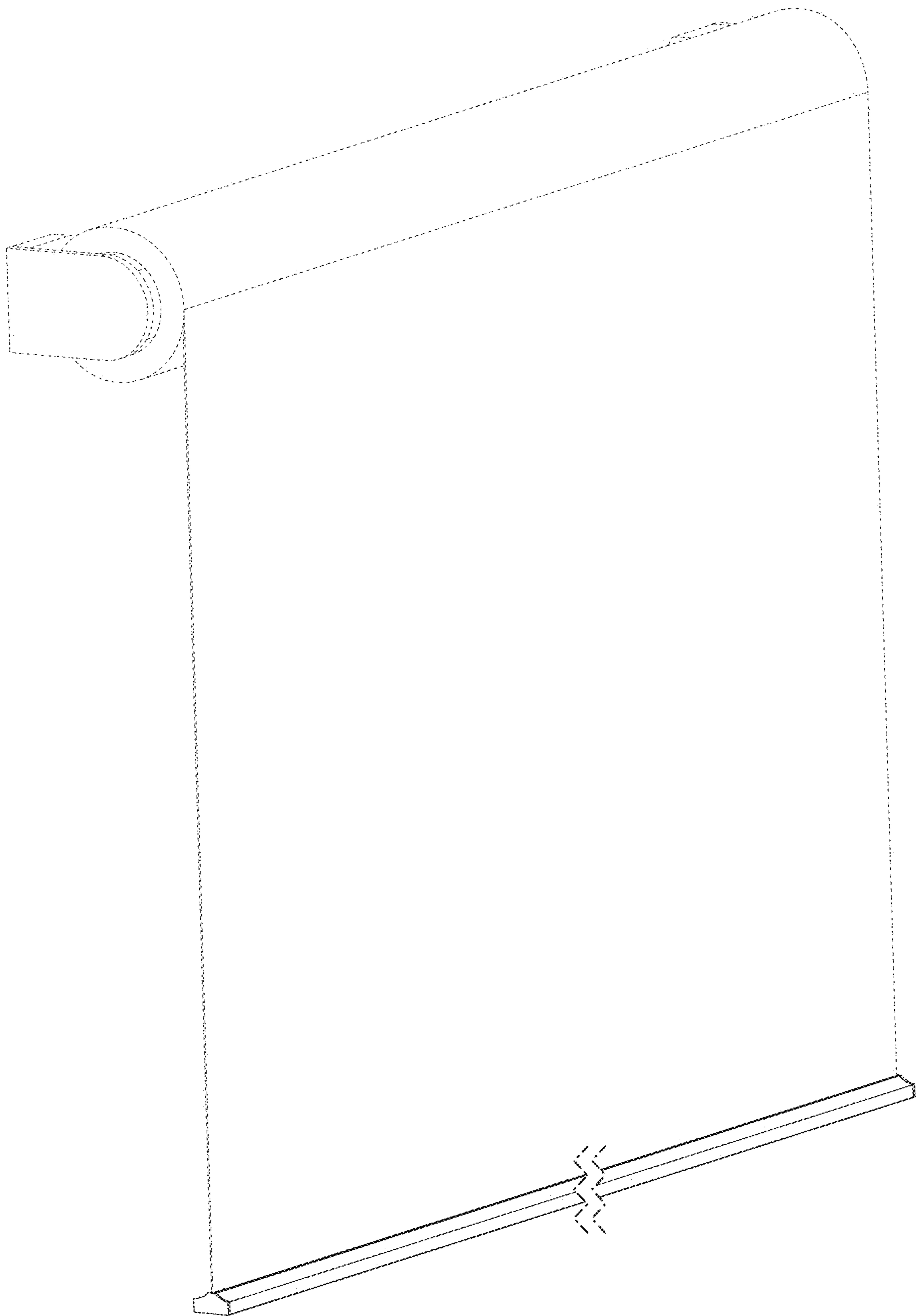


FIG. 9

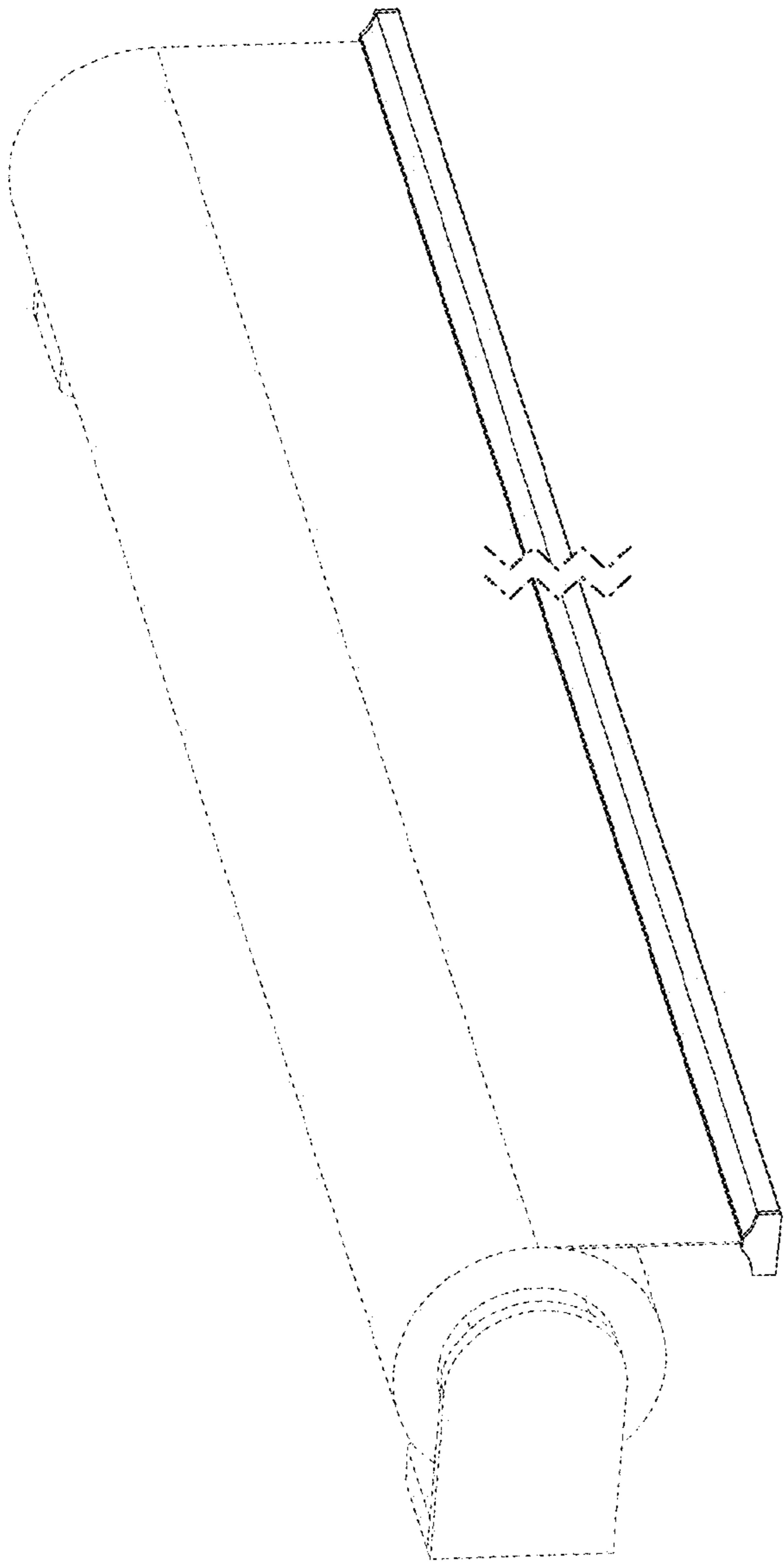


FIG. 10

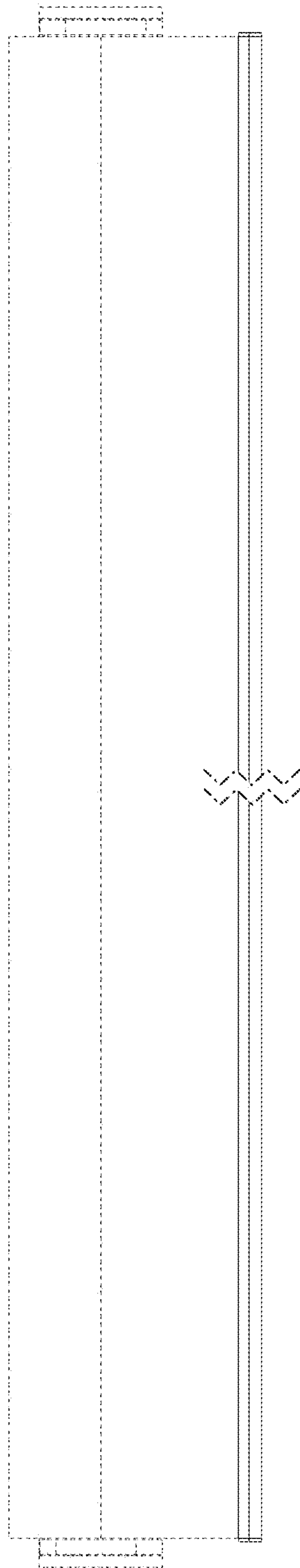


FIG. 11



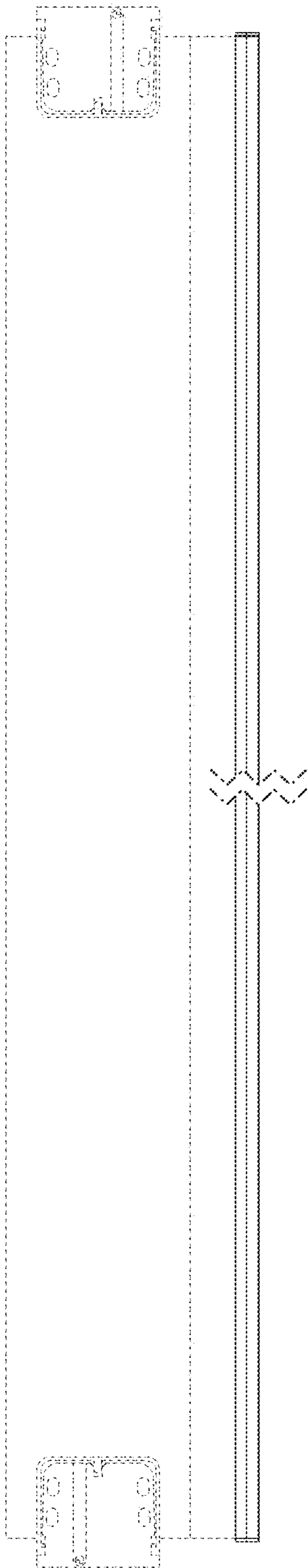


FIG. 12

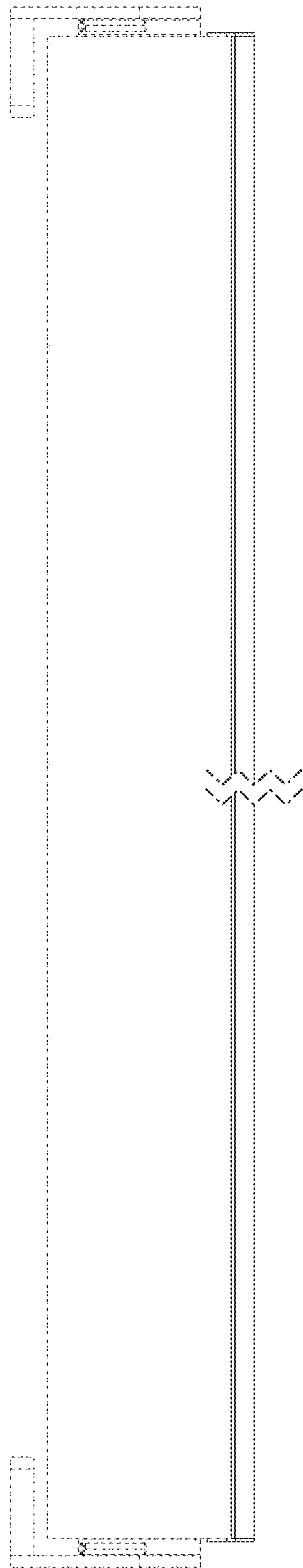


FIG. 13

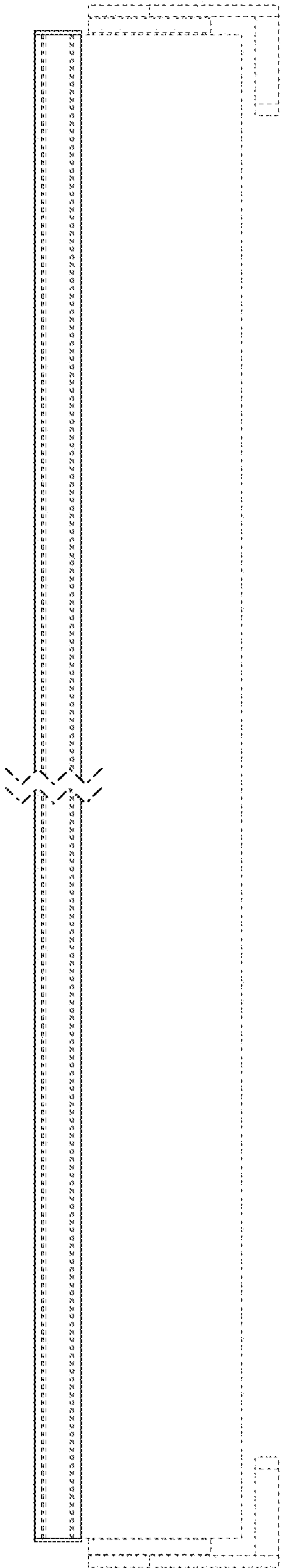


FIG. 14

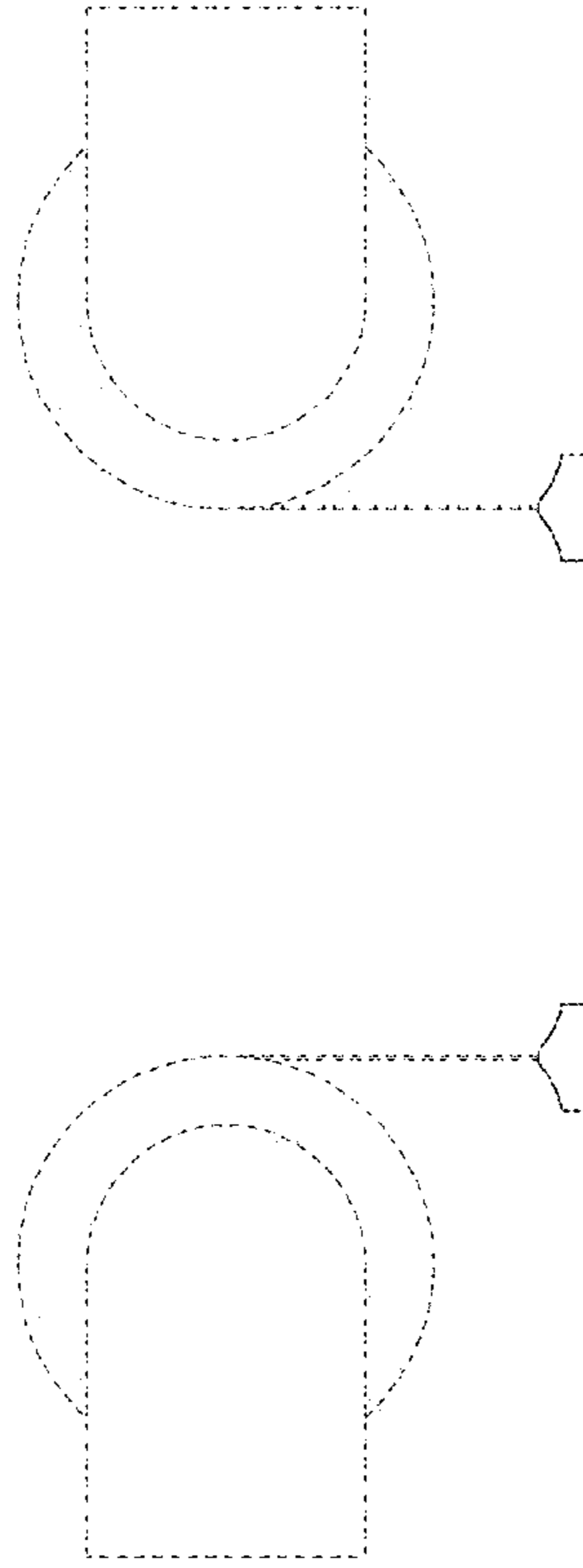


FIG. 15

FIG. 16