



US00D871102S

(12) **United States Design Patent** (10) **Patent No.:** **US D871,102 S**  
**Hsu** (45) **Date of Patent:** **\*\* Dec. 31, 2019**

(54) **HAND DISINFECTOR**

(56) **References Cited**

(71) Applicant: **HOKWANG INDUSTRIES CO., LTD.**, New Taipei (TW)

U.S. PATENT DOCUMENTS

(72) Inventor: **Chin-Chan Hsu**, New Taipei (TW)

D619,837 S \* 7/2010 Kim ..... D6/518  
D657,984 S \* 4/2012 Hansen ..... D6/523  
D669,719 S \* 10/2012 Green ..... D6/545  
D773,850 S \* 12/2016 Schalitz ..... D6/542

(73) Assignee: **HOKWANG INDUSTRIES CO., LTD.**, New Taipei (TW)

\* cited by examiner

(\*\*) Term: **15 Years**

*Primary Examiner* — Wan Laymon  
*Assistant Examiner* — Mark Booker

(21) Appl. No.: **29/660,716**

(74) *Attorney, Agent, or Firm* — Muncy, Geissler, Olds & Lowe, P.C.

(22) Filed: **Aug. 22, 2018**

(57) **CLAIM**

(51) **LOC (12) Cl.** ..... **23-02**

The ornamental design for a hand disinfecter, as shown and described.

(52) **U.S. Cl.**

USPC ..... **D6/545**

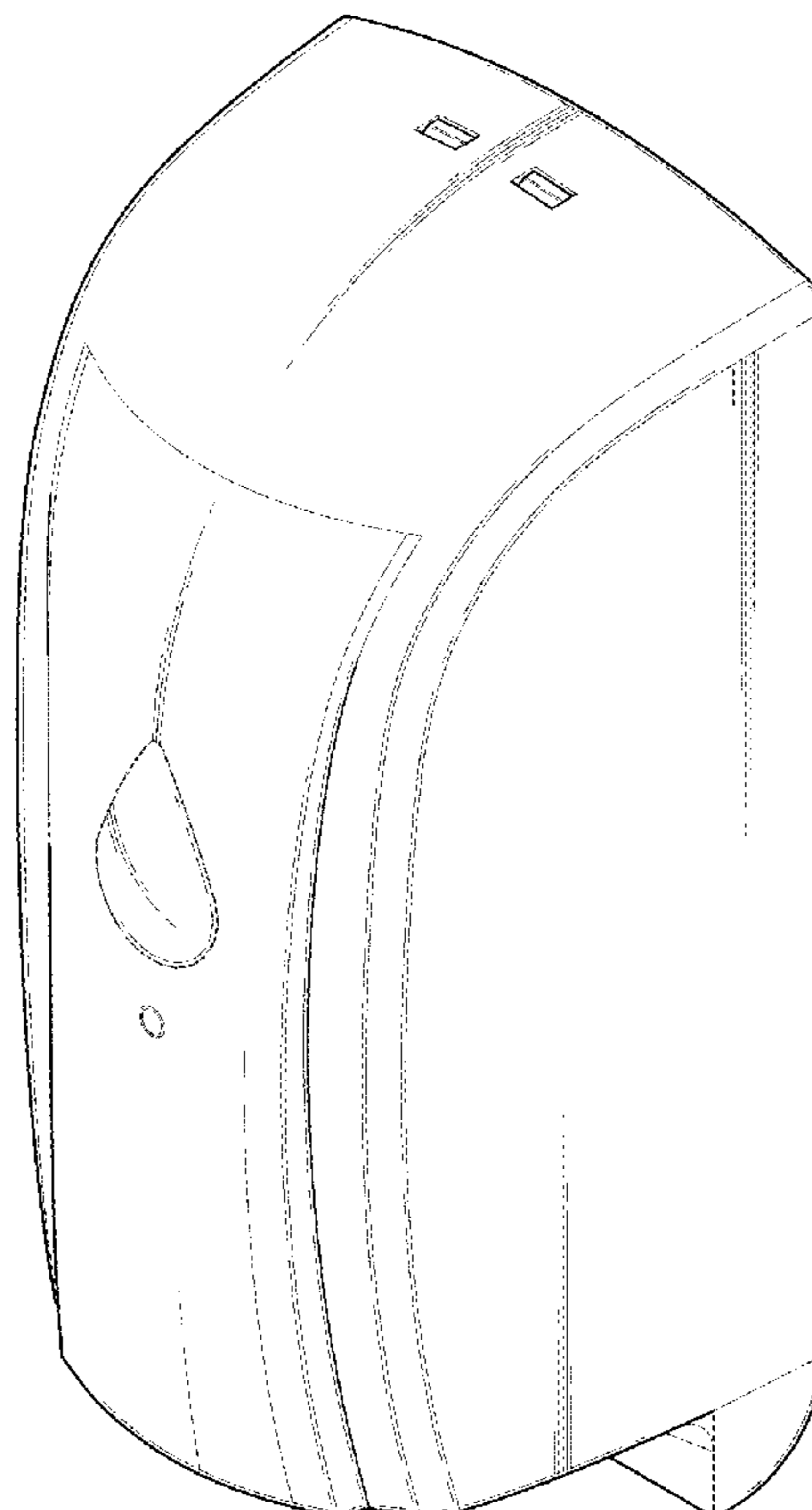
**DESCRIPTION**

(58) **Field of Classification Search**

USPC ..... D6/542, 515, 517-519, 527, 516, 531, D6/535, 543-545, 523; 206/38, 233, 225, 206/226; 221/26, 33, 45, 282, 14, 173, 221/146.3, 628, 251, 181.1, 181.3; D9/734, 682, 688, 690, 291, 448, 449  
CPC ..... A47K 2010/3266; A47K 10/424; A47K 10/32; A47K 5/14; A47K 5/12; A47K 5/1207; A47K 5/1208; B65D 5/4266; B65D 5/5028; B65D 5/6608; B65D 5/16; A45C 11/008; A45F 5/00; A45F 5/022; A45F 5/04; B65H 2701/1924; B67D 7/08; B67D 7/06; B67D 7/22; B67D 7/56  
See application file for complete search history.

FIG. 1 is a perspective view of a hand disinfecter showing my new design;  
FIG. 2 is a front elevational view thereof;  
FIG. 3 is a rear elevational view thereof;  
FIG. 4 is a left side elevational view thereof;  
FIG. 5 is a right side elevational view thereof;  
FIG. 6 is a top plan view thereof;  
FIG. 7 is a bottom plan view thereof; and,  
FIG. 8 is another perspective view thereof.  
The broken lines shown in the figures represent portions of the hand disinfecter that form no part of the claimed design.

**1 Claim, 7 Drawing Sheets**



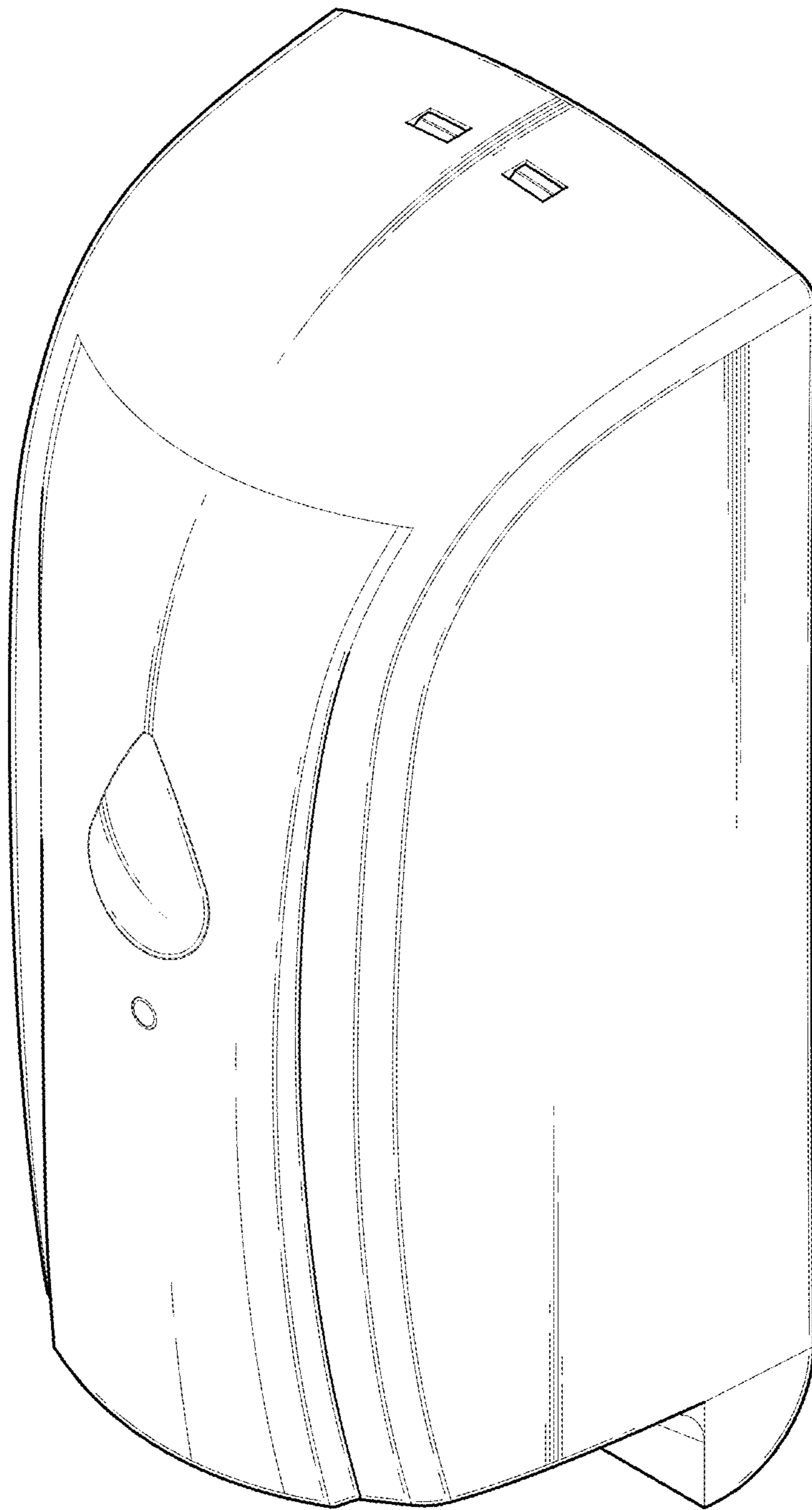


Fig. 1

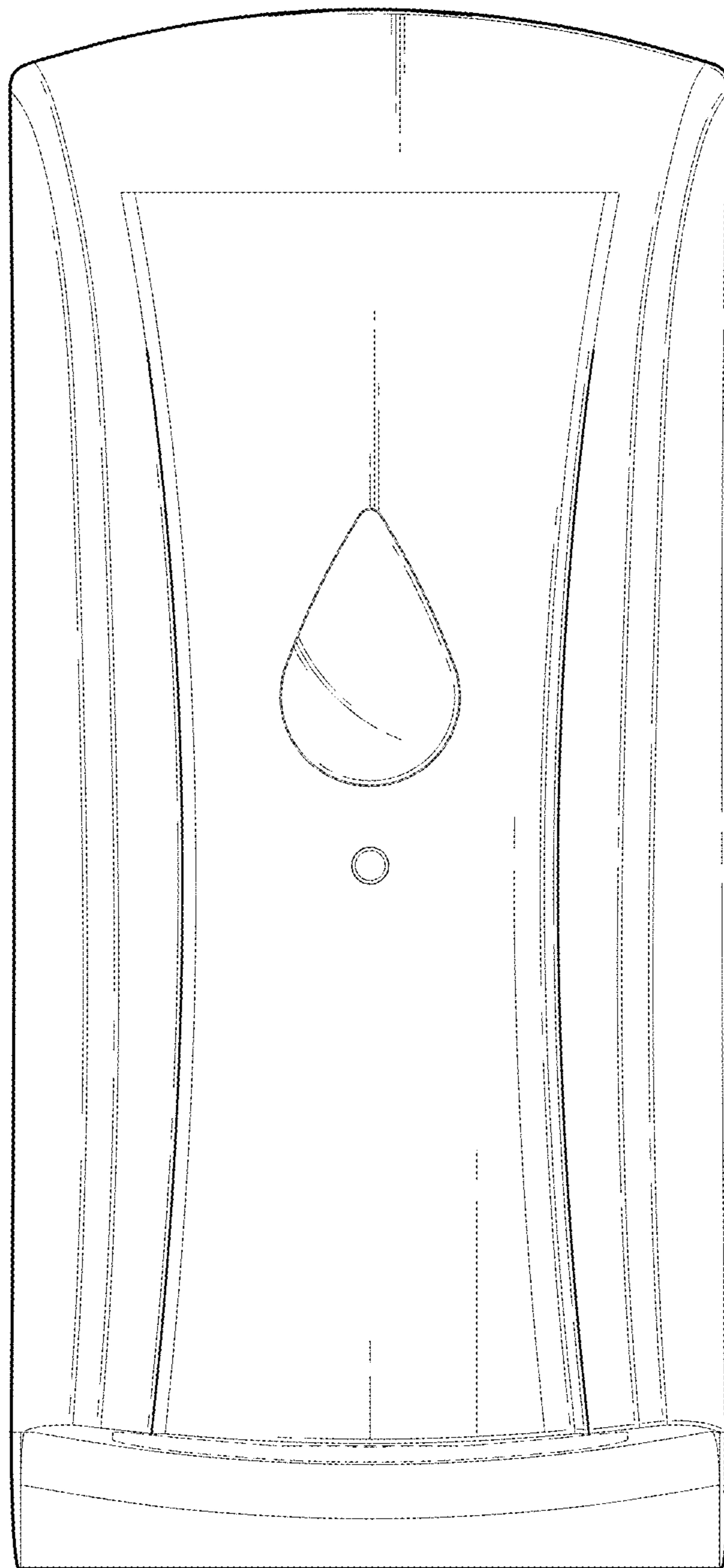


Fig. 2

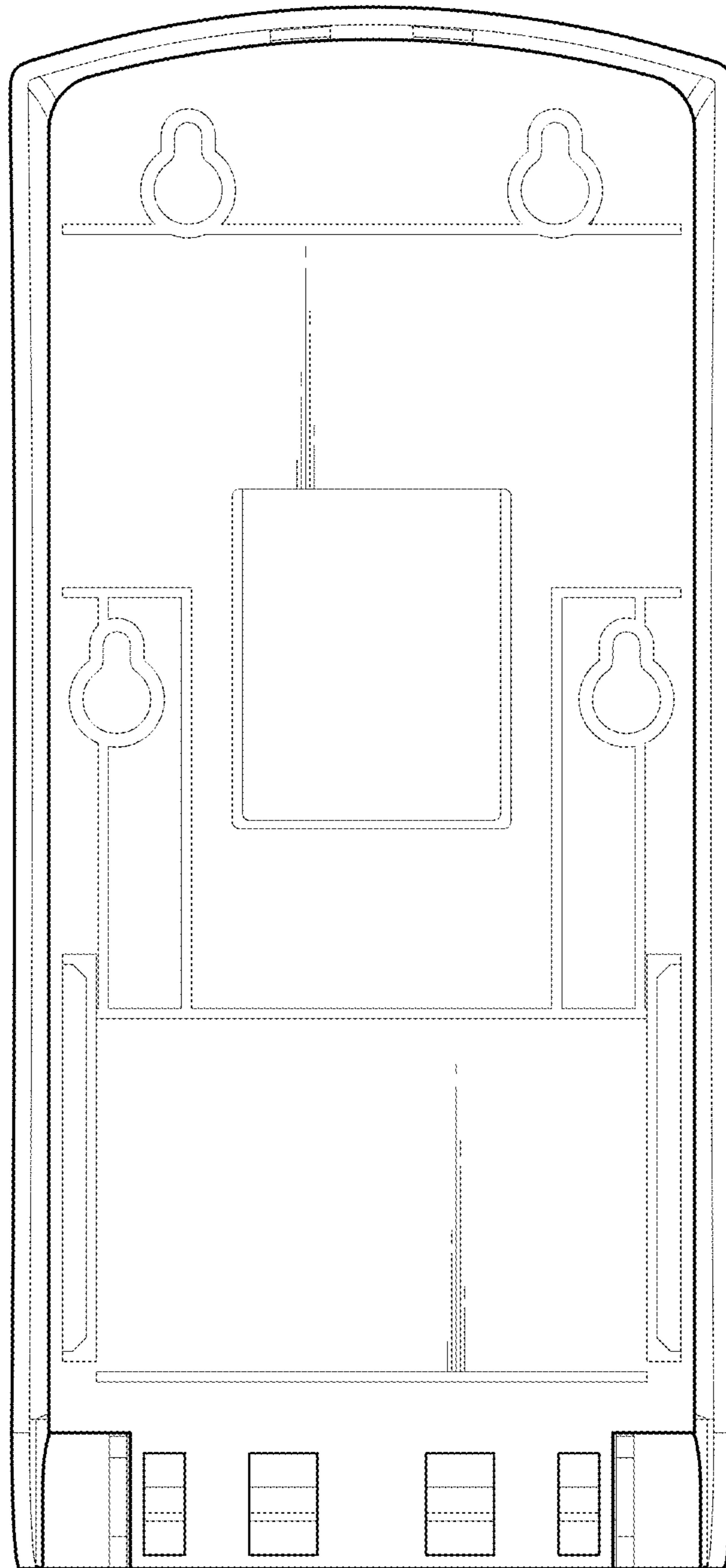


Fig. 3

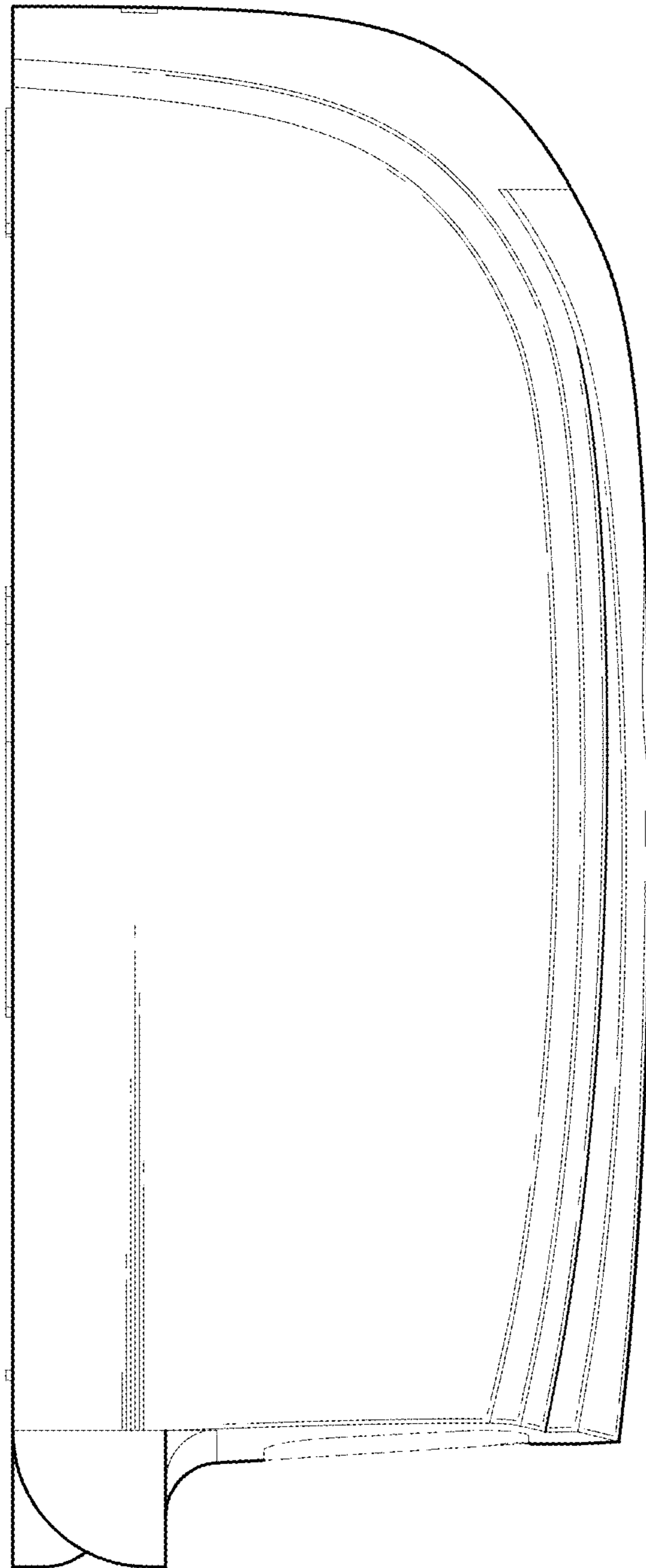


Fig. 4

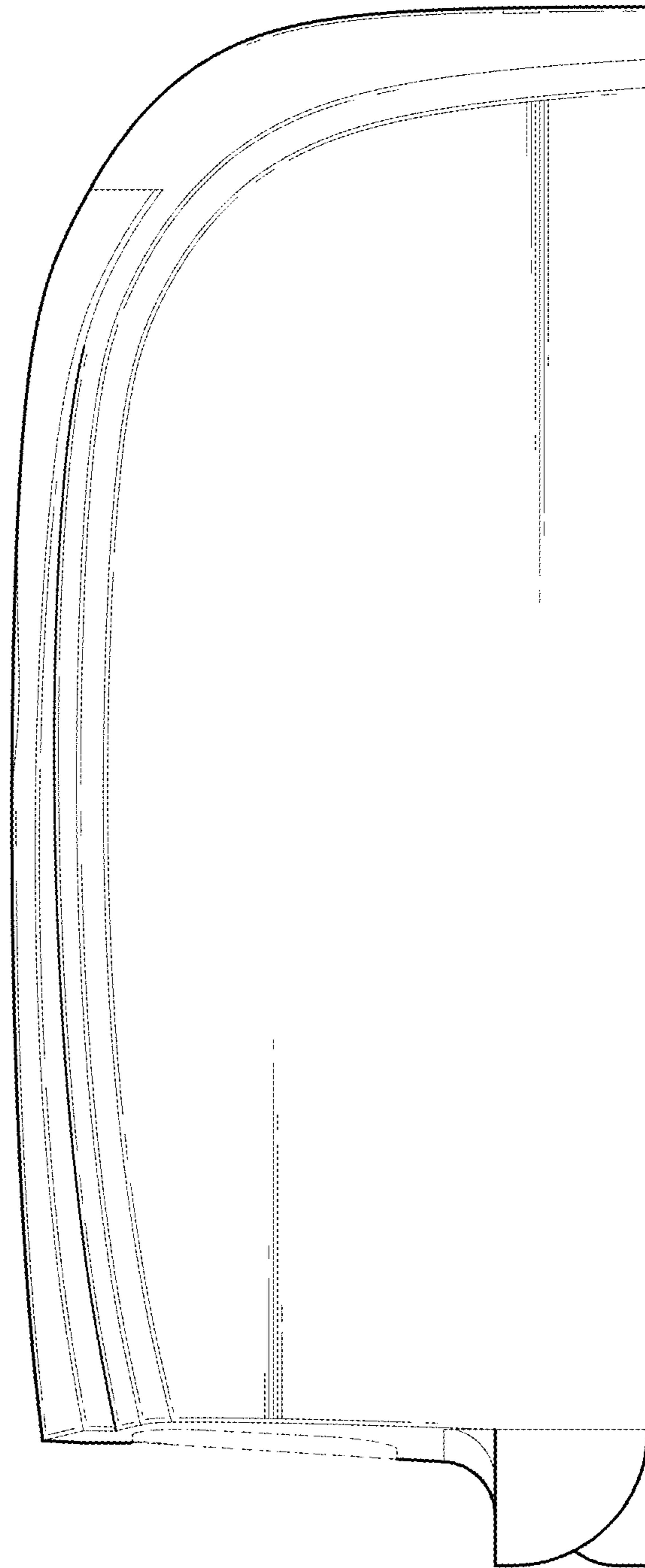


Fig. 5

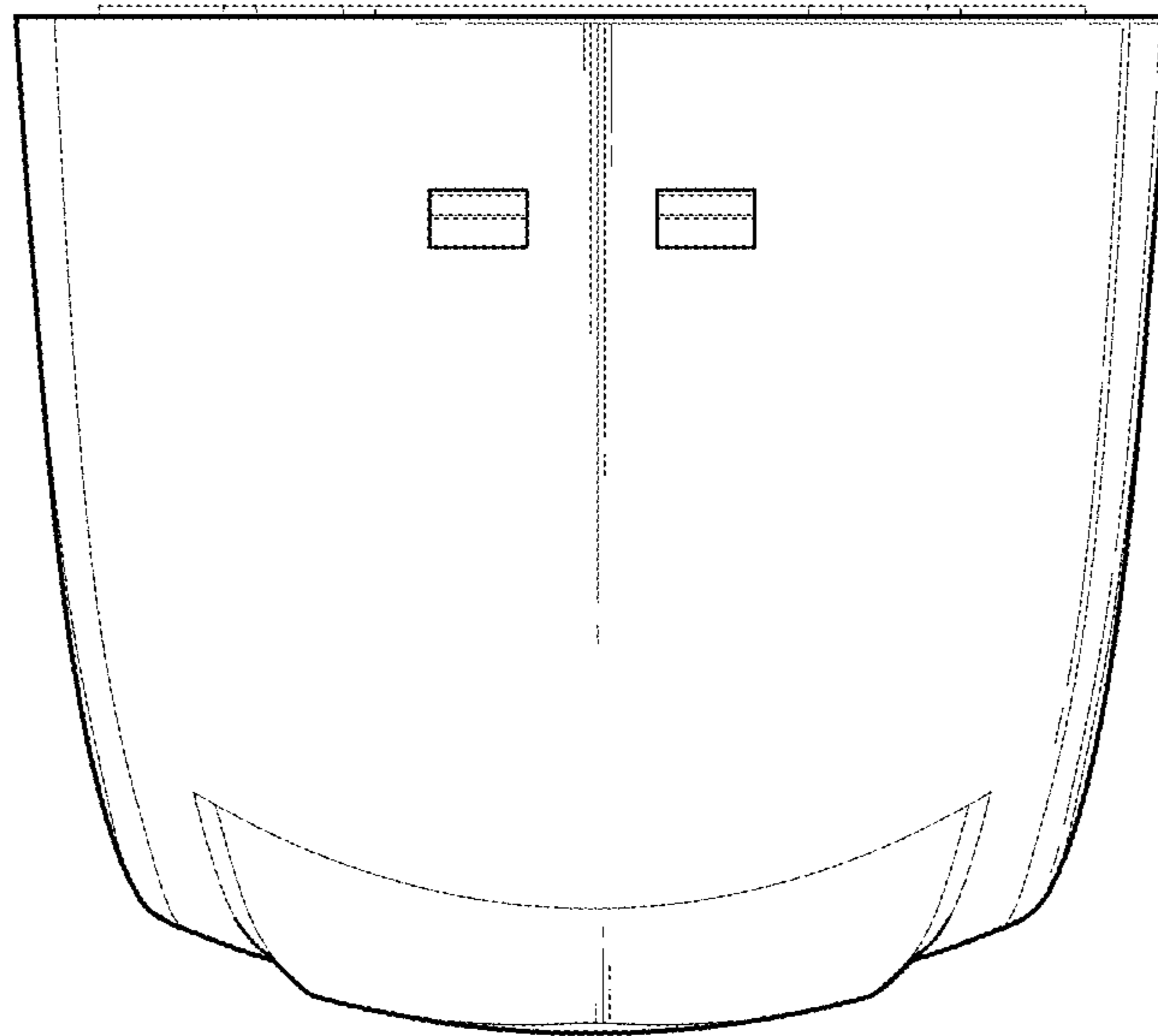


Fig. 6

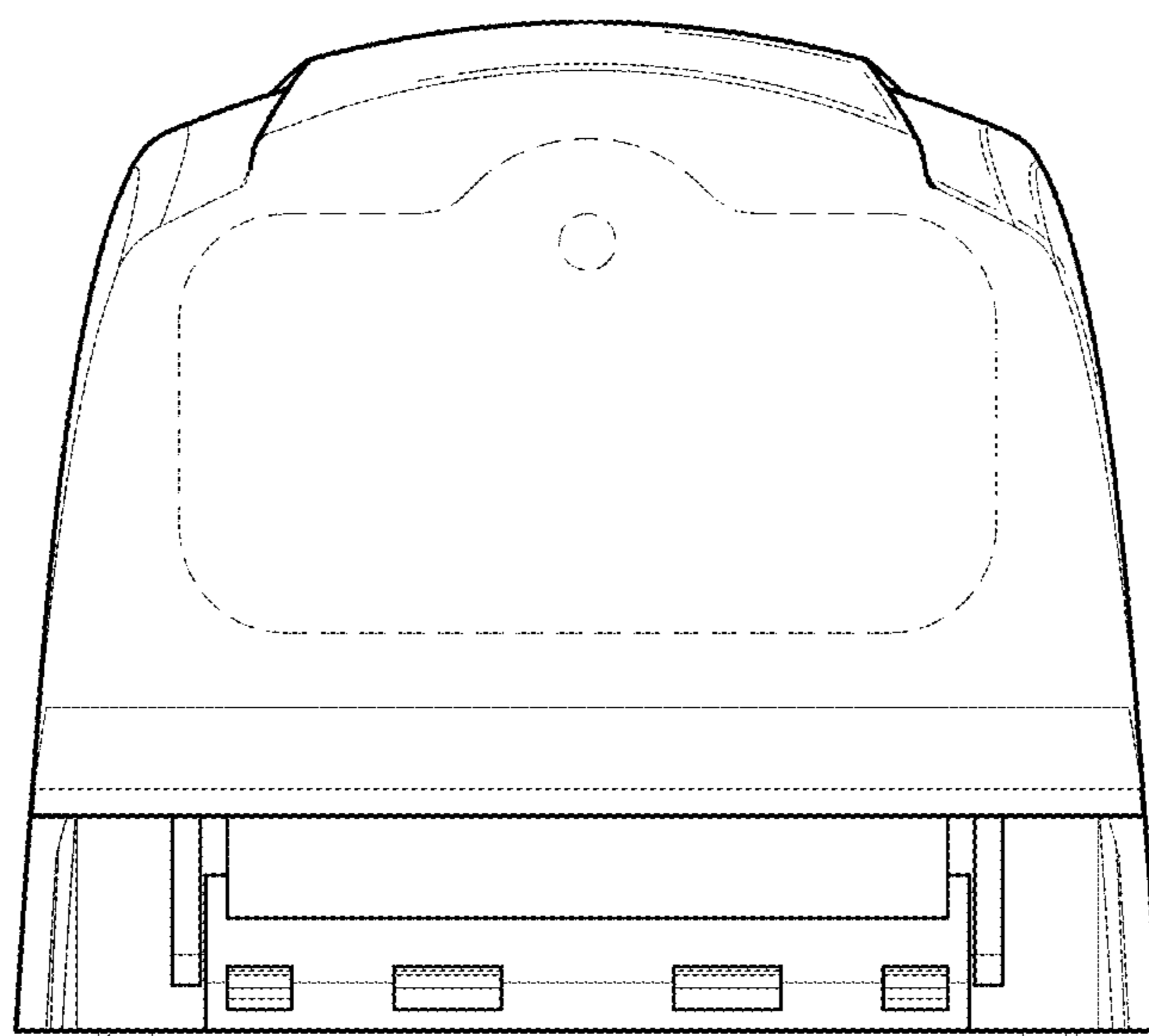


Fig. 7

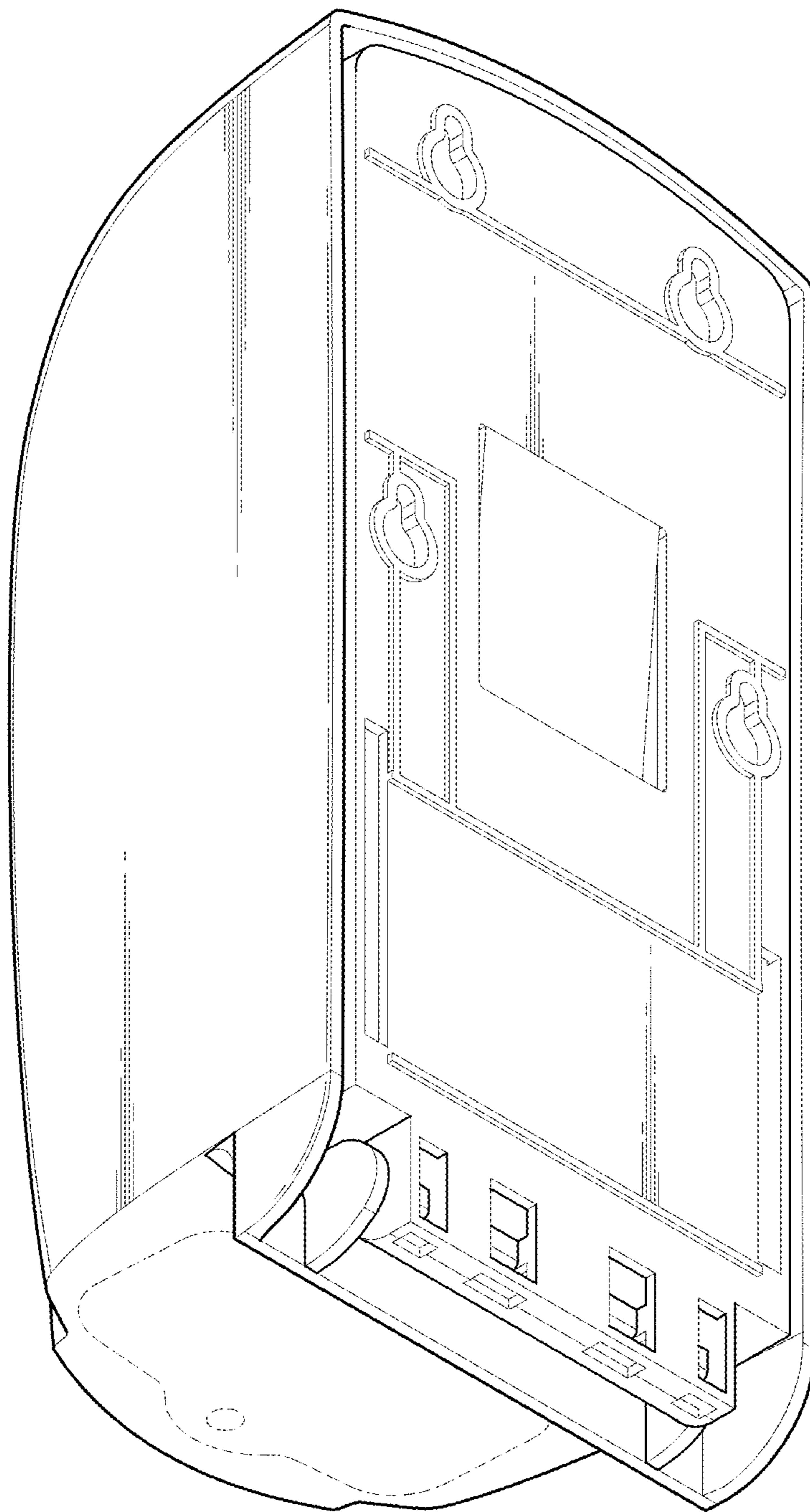


Fig. 8