



US00D871093S

(12) **United States Design Patent**
Kuroda

(10) **Patent No.:** **US D871,093 S**

(45) **Date of Patent:** **** Dec. 31, 2019**

(54) **CHAIR**

(71) Applicant: **MUTSUMI GIKEN CO., LTD.**,
Tokushima (JP)

(72) Inventor: **Mutsumi Kuroda**, Tokushima (JP)

(73) Assignee: **MUTSUMI GIKEN CO., LTD.**

(**) Term: **15 Years**

(21) Appl. No.: **35/505,159**

(22) Filed: **Dec. 22, 2017**

(80) **Hague Agreement Data**

Int. Filing Date: **Dec. 22, 2017**

Int. Reg. No.: **DM/100580**

Int. Reg. Date: **Dec. 22, 2017**

Int. Reg. Pub. Date: **Jun. 22, 2018**

(30) **Foreign Application Priority Data**

Jun. 28, 2017 (JP) 2017-013840

(51) **LOC (12) Cl.** **06-01**

(52) **U.S. Cl.**
USPC **D6/368; D6/373; D6/379**

(58) **Field of Classification Search**

USPC D6/334, 368, 371-375, 379

CPC A47C 1/00; A47C 3/00; A47C 4/00; A47C
4/02; A47C 4/04; A47C 4/08; A47C 4/10;
A47C 4/14; A47C 4/18; A47C 4/24;
A47C 4/283; A47C 4/32; A47C 4/38;
A47C 4/42; A47C 4/48; A47C 5/06;
A47C 7/00; A47C 7/02; A47C 7/24

See application file for complete search history.

(56) **References Cited**

U.S. PATENT DOCUMENTS

3,071,409 A * 1/1963 Gibson A47C 4/283
297/45

D205,616 S * 8/1966 Melchior A47C 5/06
D6/371

D212,879 S * 12/1968 Kjer Jakobsen D6/373
3,851,914 A * 12/1974 Nii A47C 4/283
297/45
3,863,698 A * 2/1975 Uchida A47C 5/06
160/327
4,566,731 A * 1/1986 Marchesini A47C 4/32
297/440.11

(Continued)

Primary Examiner — Mary Ann Calabrese

(74) *Attorney, Agent, or Firm* — Pearne & Gordon LLP

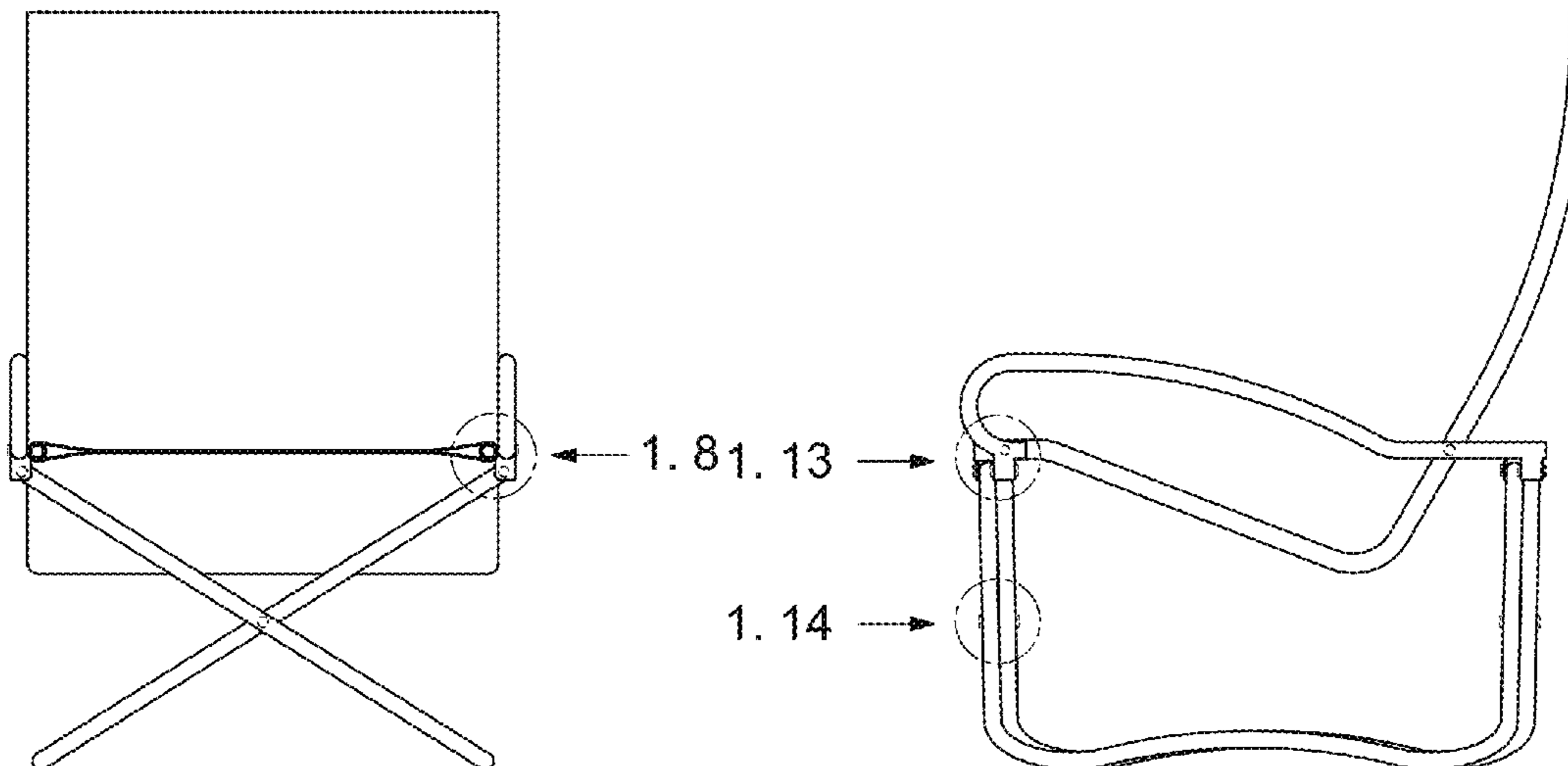
(57) **CLAIM**

The ornamental design for a chair, as shown and described.

DESCRIPTION

1. Chair
1.1: Front
1.2: Back
1.3: Top
1.4: Bottom
1.5: Right
1.6: Left
1.7: Perspective
1.8: Enlarged view of portion 1.8 shown in view 1.1
1.9: Enlarged view of portion 1.9 shown in view 1.2
1.10: Enlarged view of portion 1.10 shown in view 1.3
1.11: Enlarged view of portion 1.11 shown in view 1.4
1.12: Enlarged view of portion 1.12 shown in view 1.4
1.13: Enlarged view of portion 1.13 shown in view 1.5
1.14: Enlarged view of portion 1.14 shown in view 1.5
1.15: Enlarged view of portion 1.15 shown in view 1.6
1.16: Enlarged view of portion 1.16 shown in view 1.6
1.17: Enlarged view of portion 1.17 shown in view 1.7
1.18: Enlarged view of portion 1.18 shown in view 1.7
1.19: Enlarged view of portion 1.19 shown in view 1.7
1.20: Enlarged view of portion 1.20 shown in view 1.7
This industrial design is a foldable chair. The parts shown by means of broken lines in the reproductions are not part of the claimed design.

1 Claim, 10 Drawing Sheets



(56)

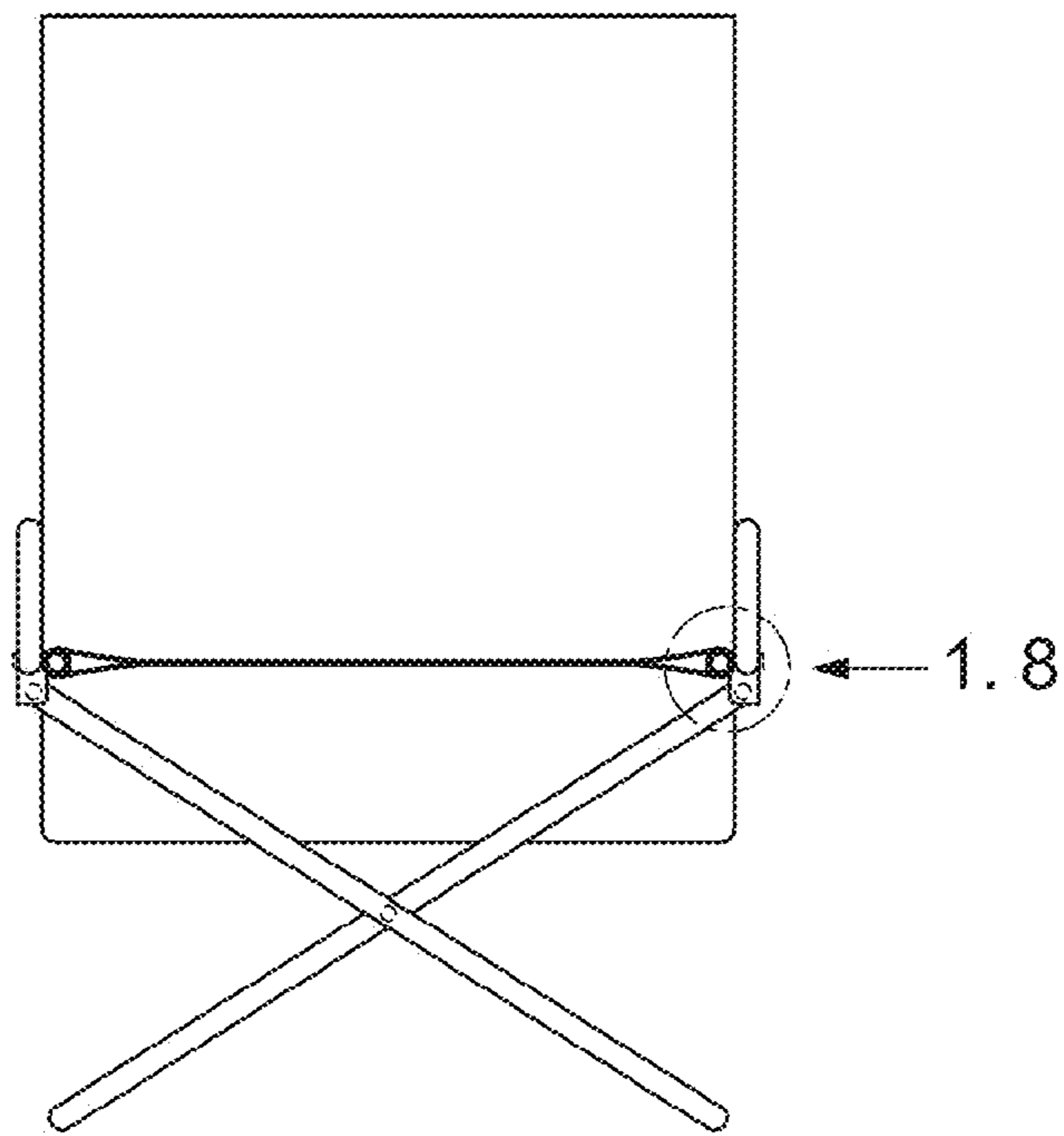
References Cited

U.S. PATENT DOCUMENTS

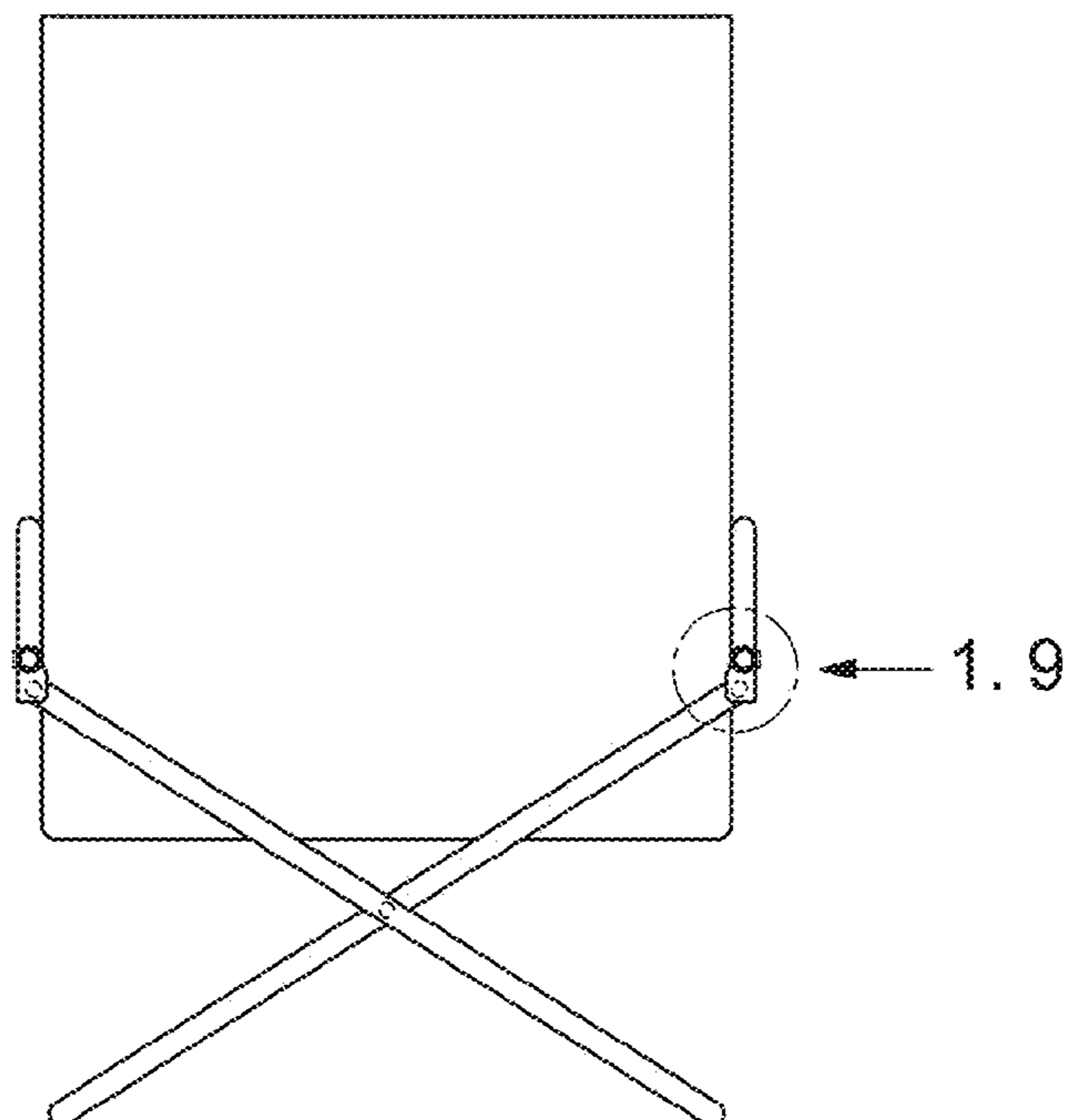
D286,710 S * 11/1986 Gasser D6/368
5,730,488 A * 3/1998 Chang A47C 4/283
297/16.1
D542,552 S * 5/2007 Massaud A47C 7/70
D6/368
D693,587 S * 11/2013 Piretti A47C 4/283
D6/368
D800,473 S * 10/2017 Diez A47C 4/283
D6/368
9,795,217 B2 * 10/2017 Grace A47C 7/70

* cited by examiner

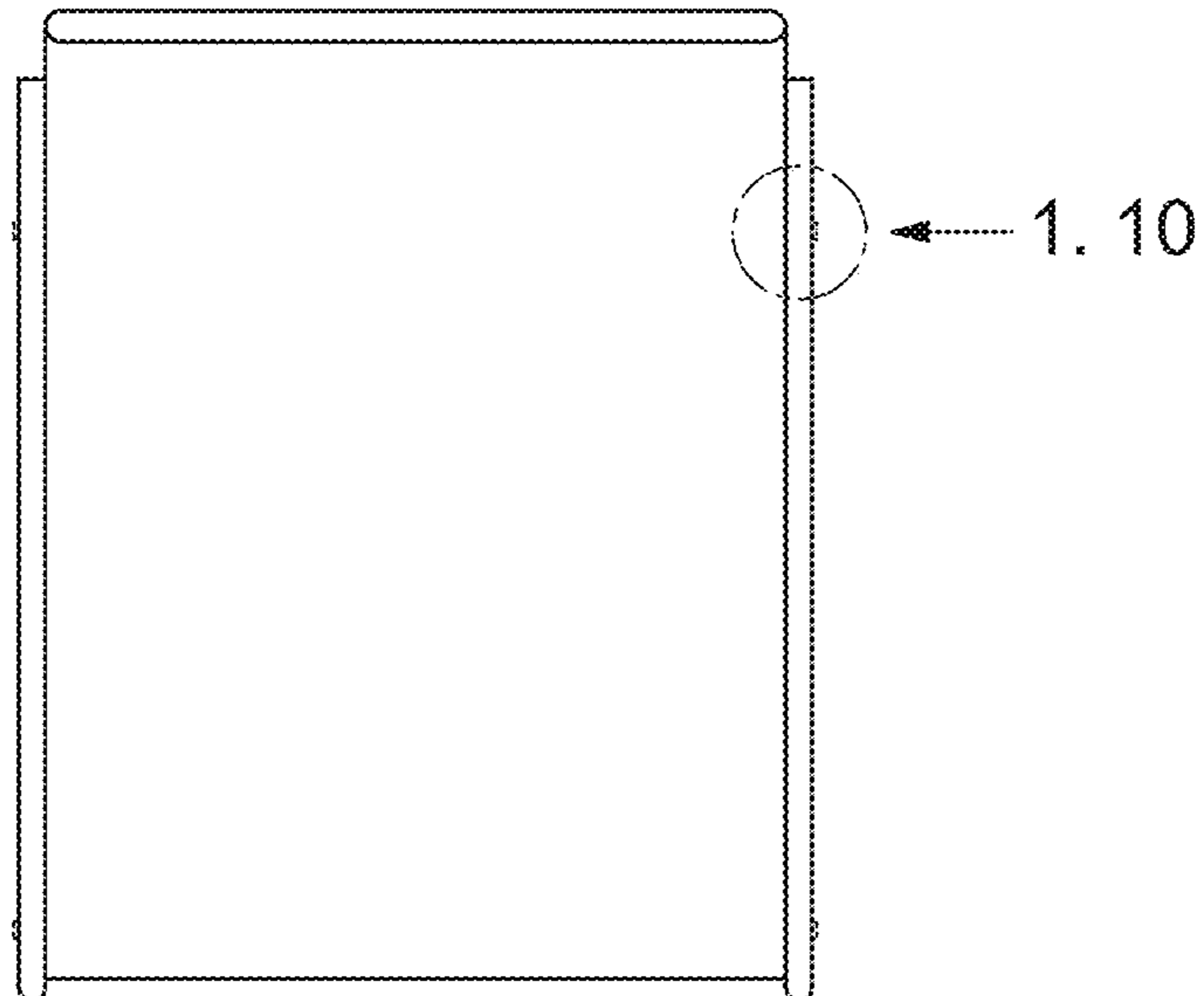
1. 1



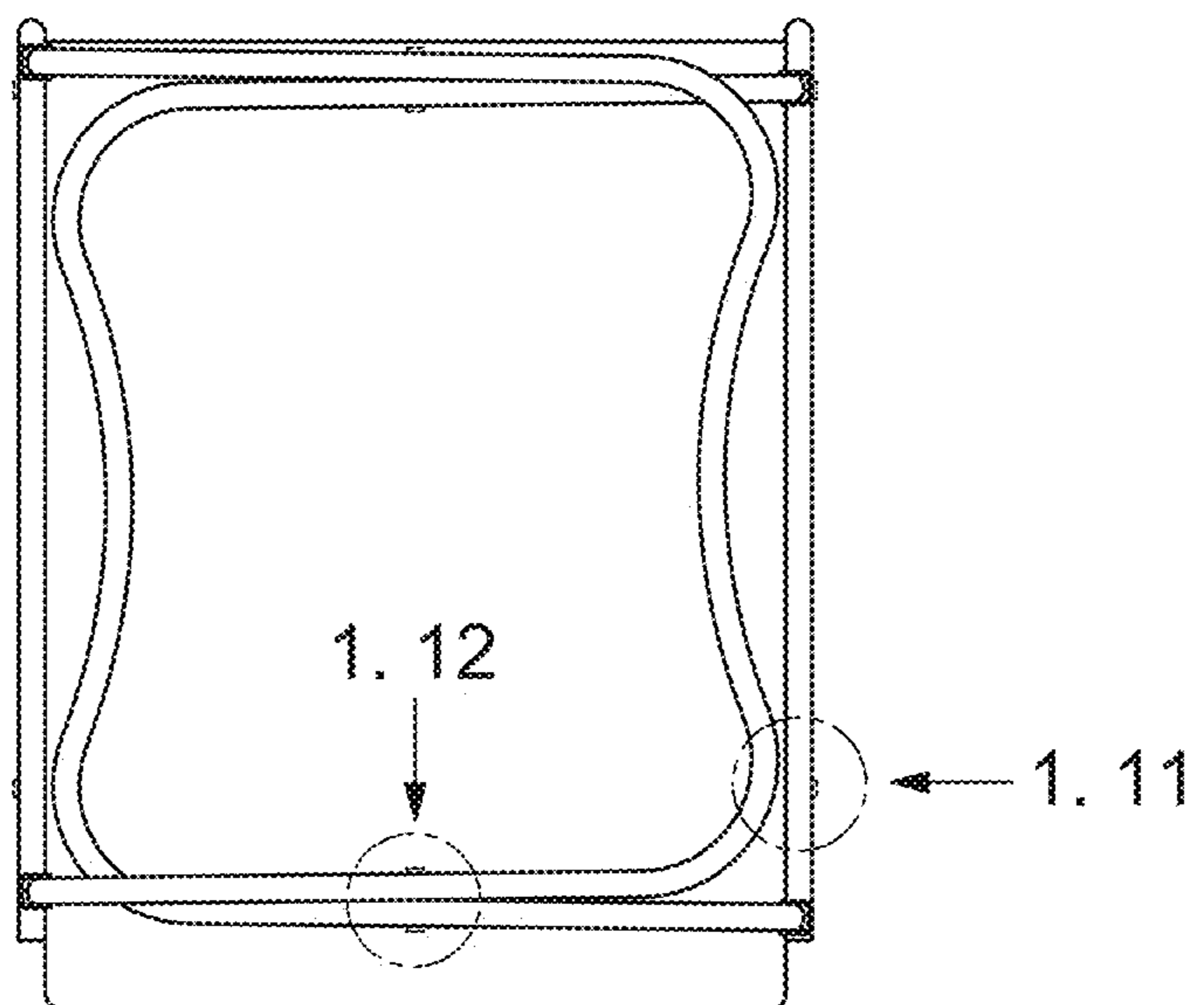
1. 2



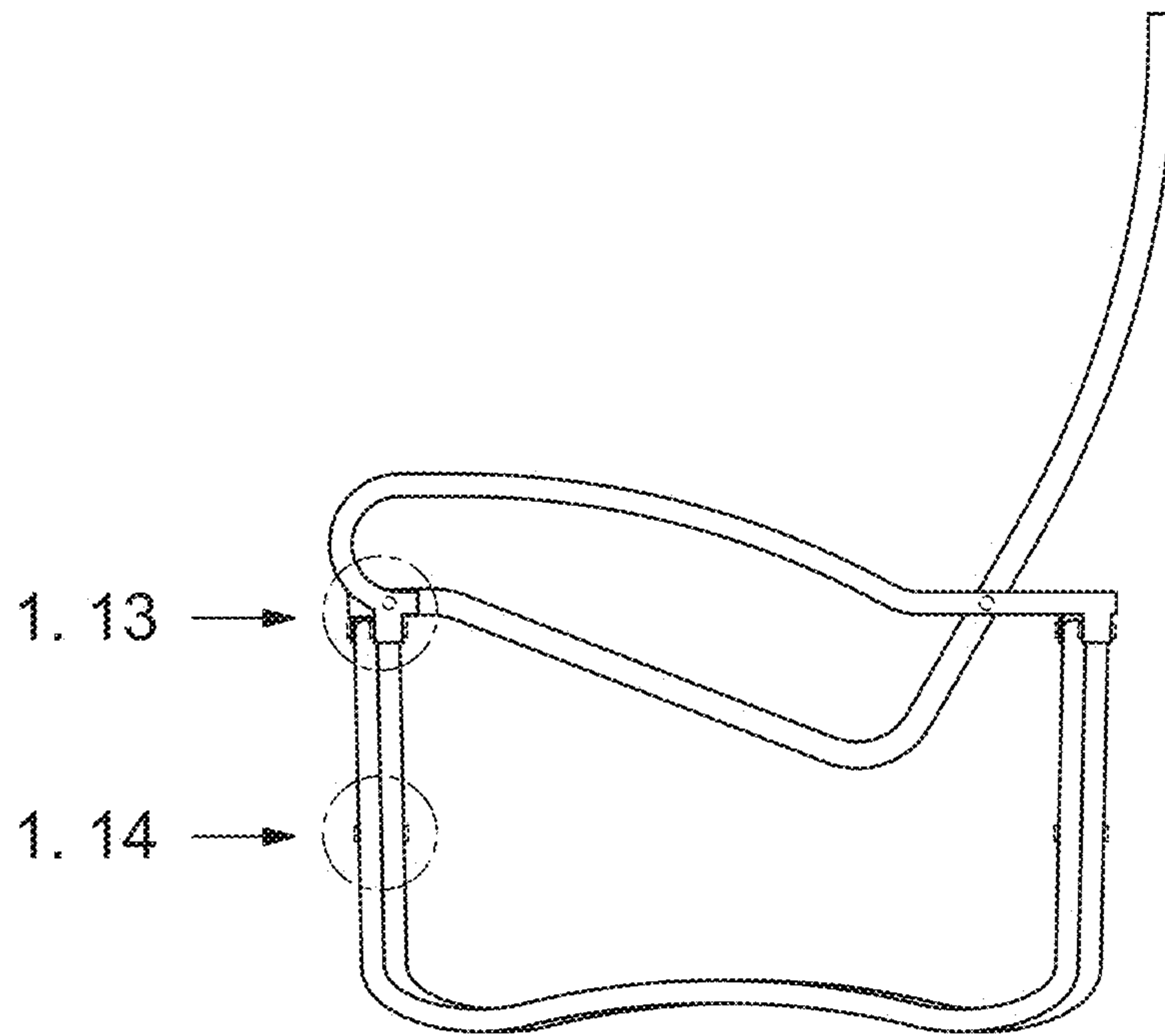
1. 3



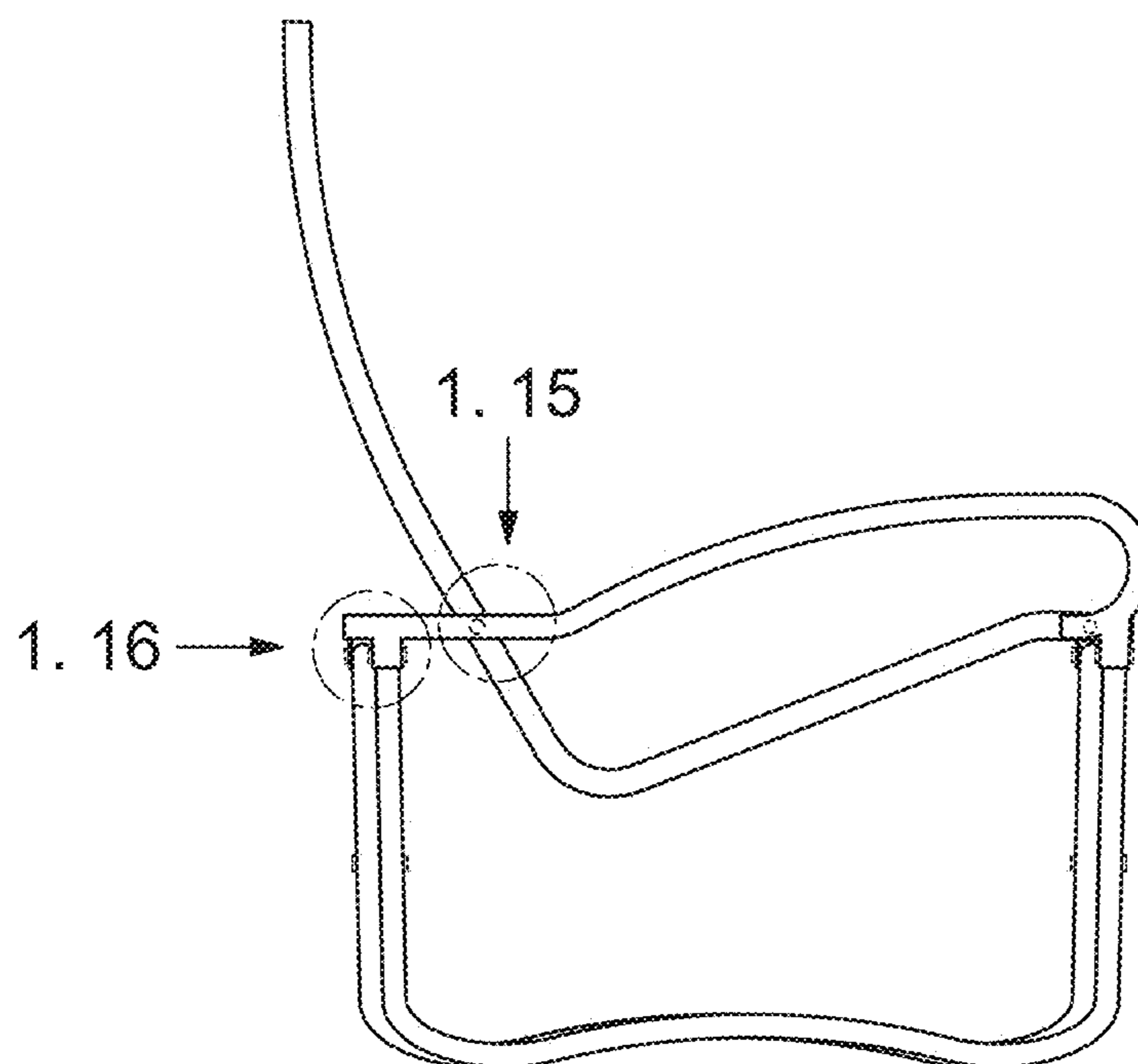
1. 4



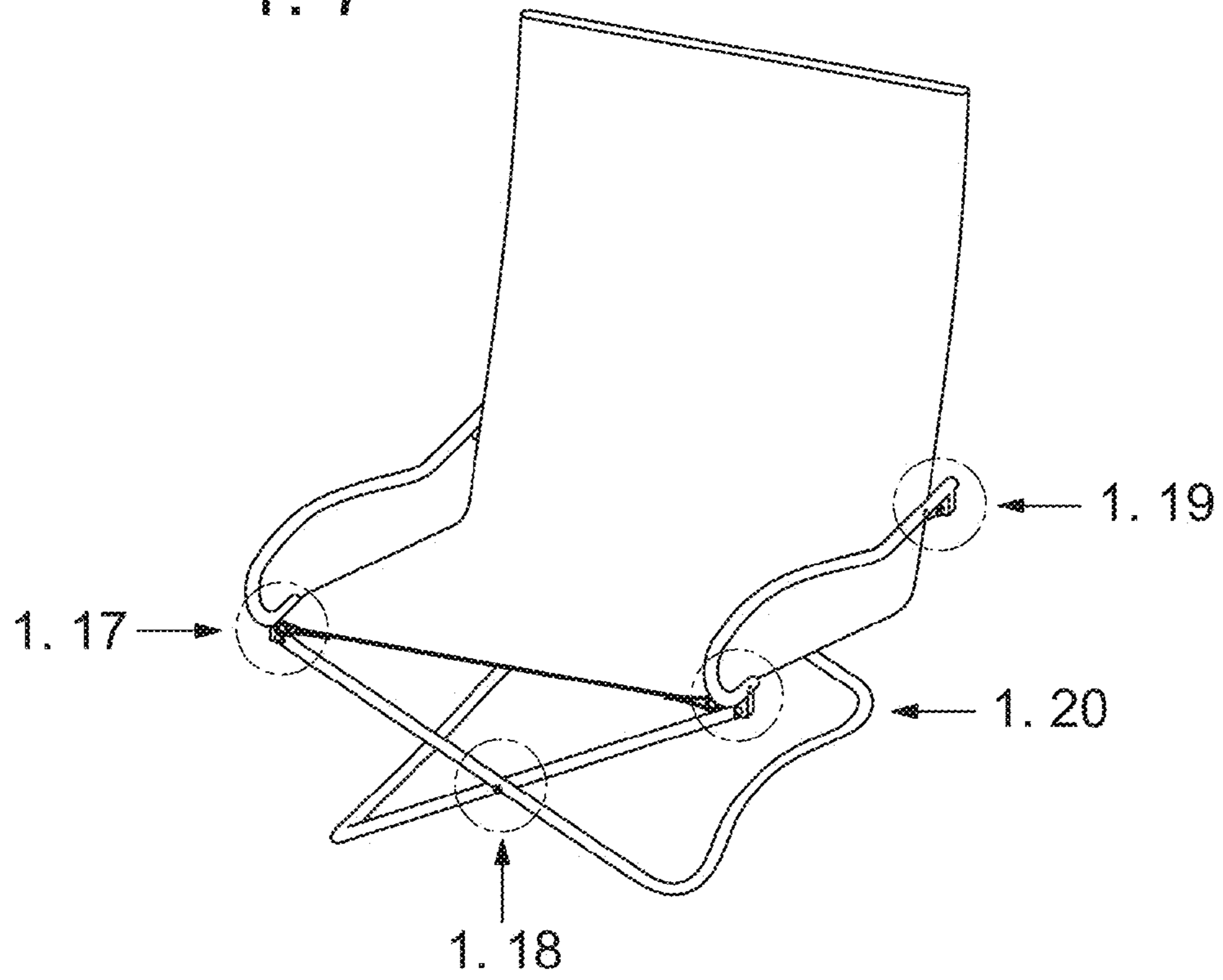
1. 5



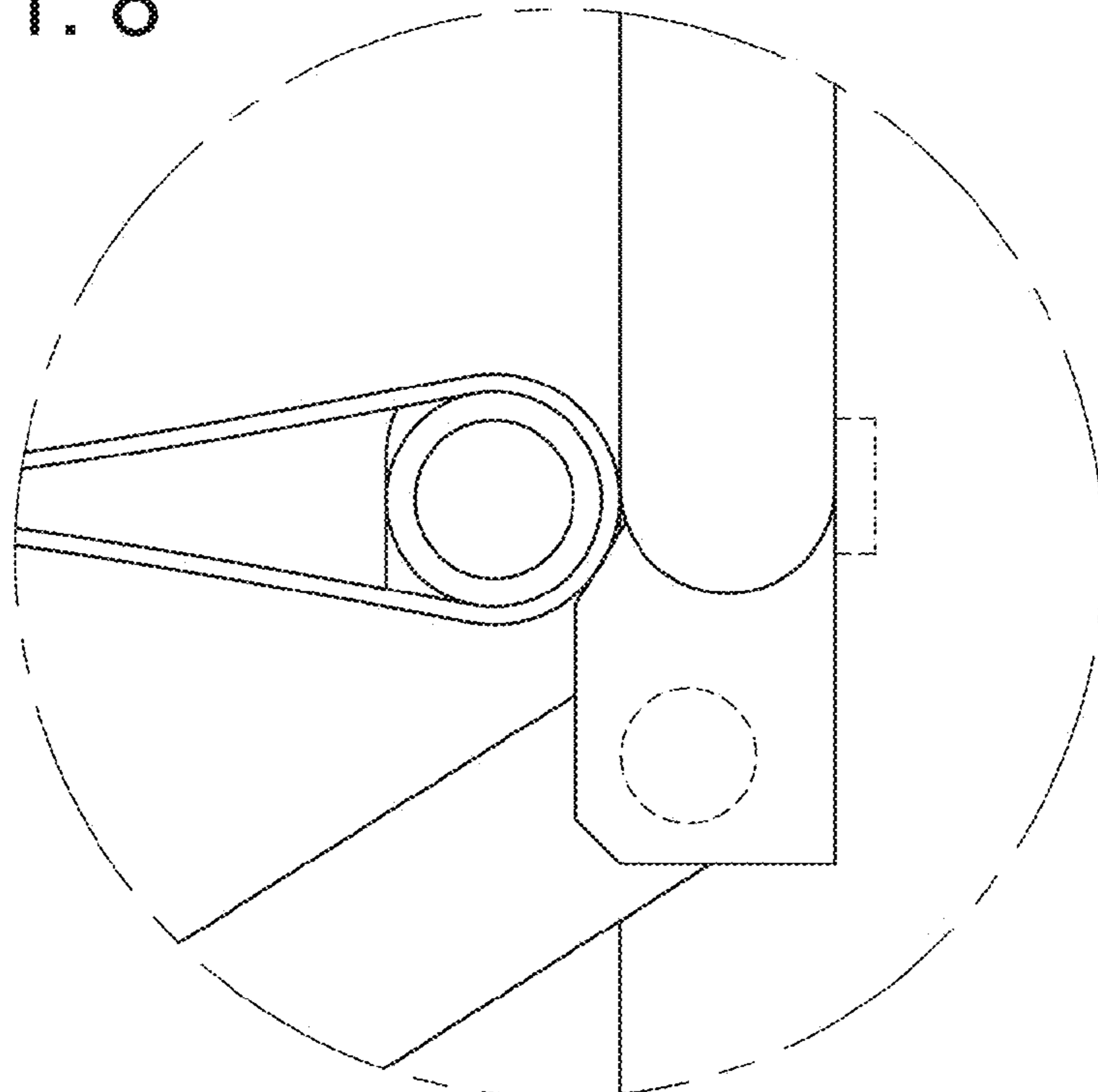
1. 6



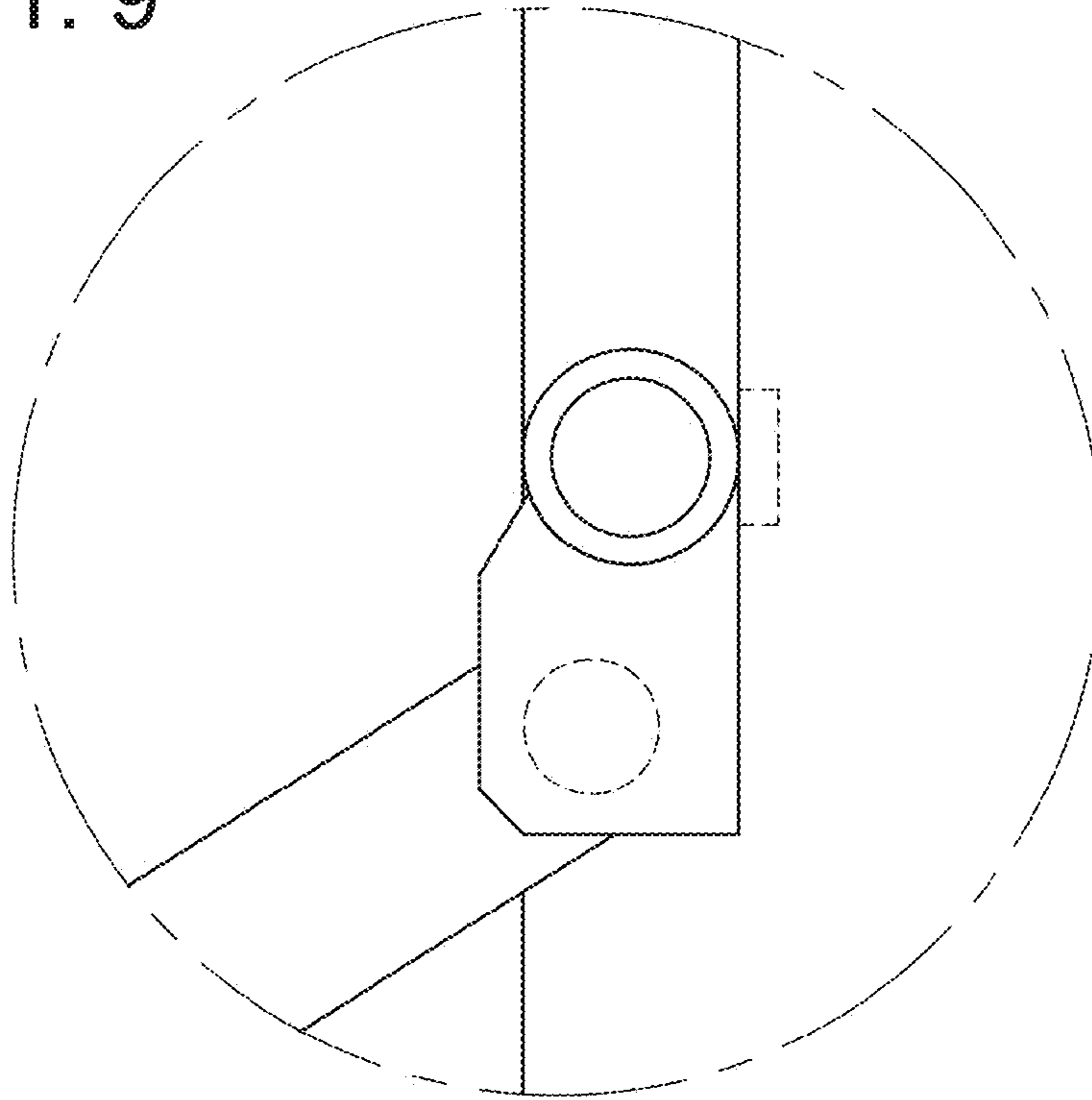
1.7



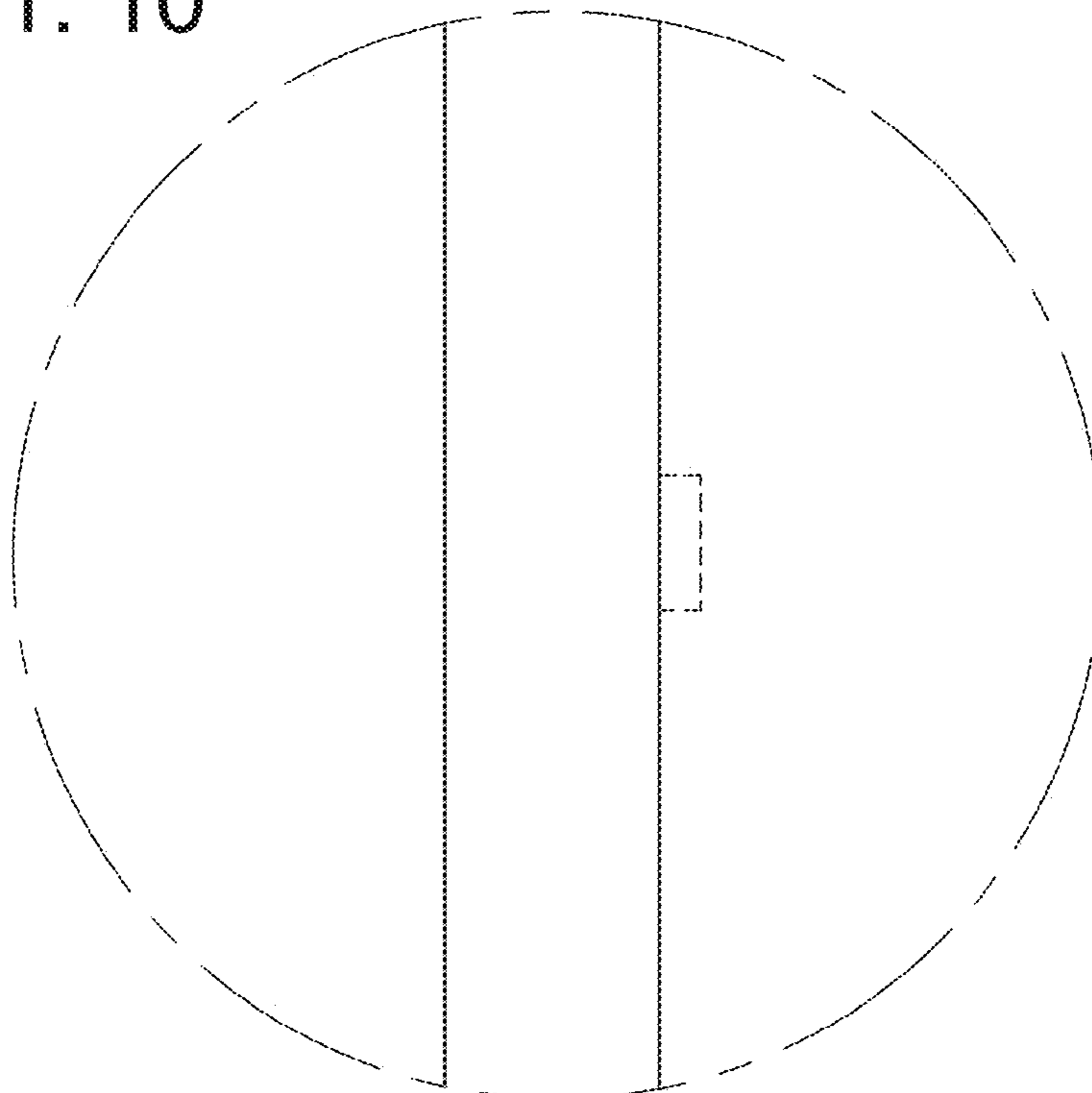
1.8



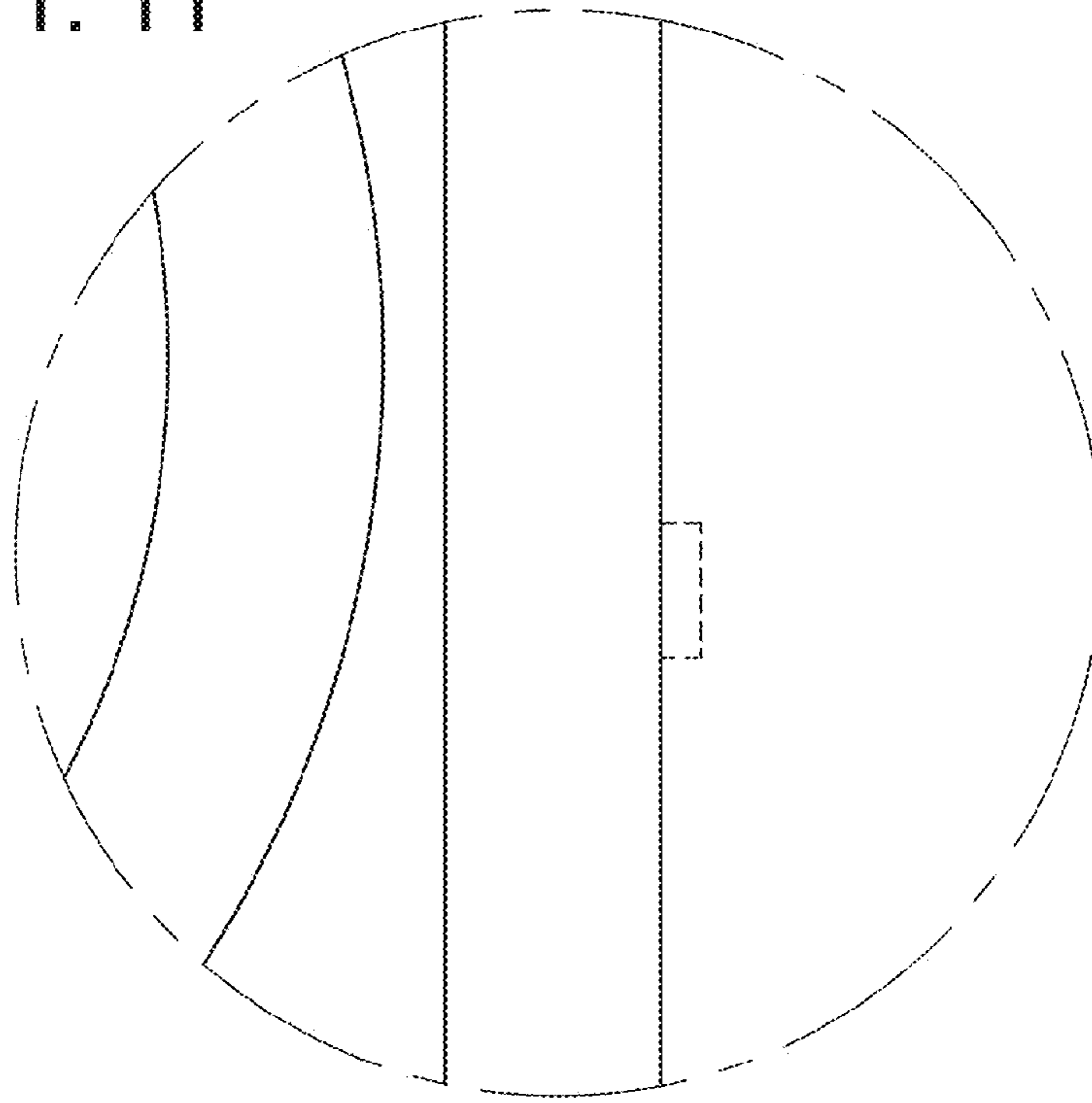
1. 9



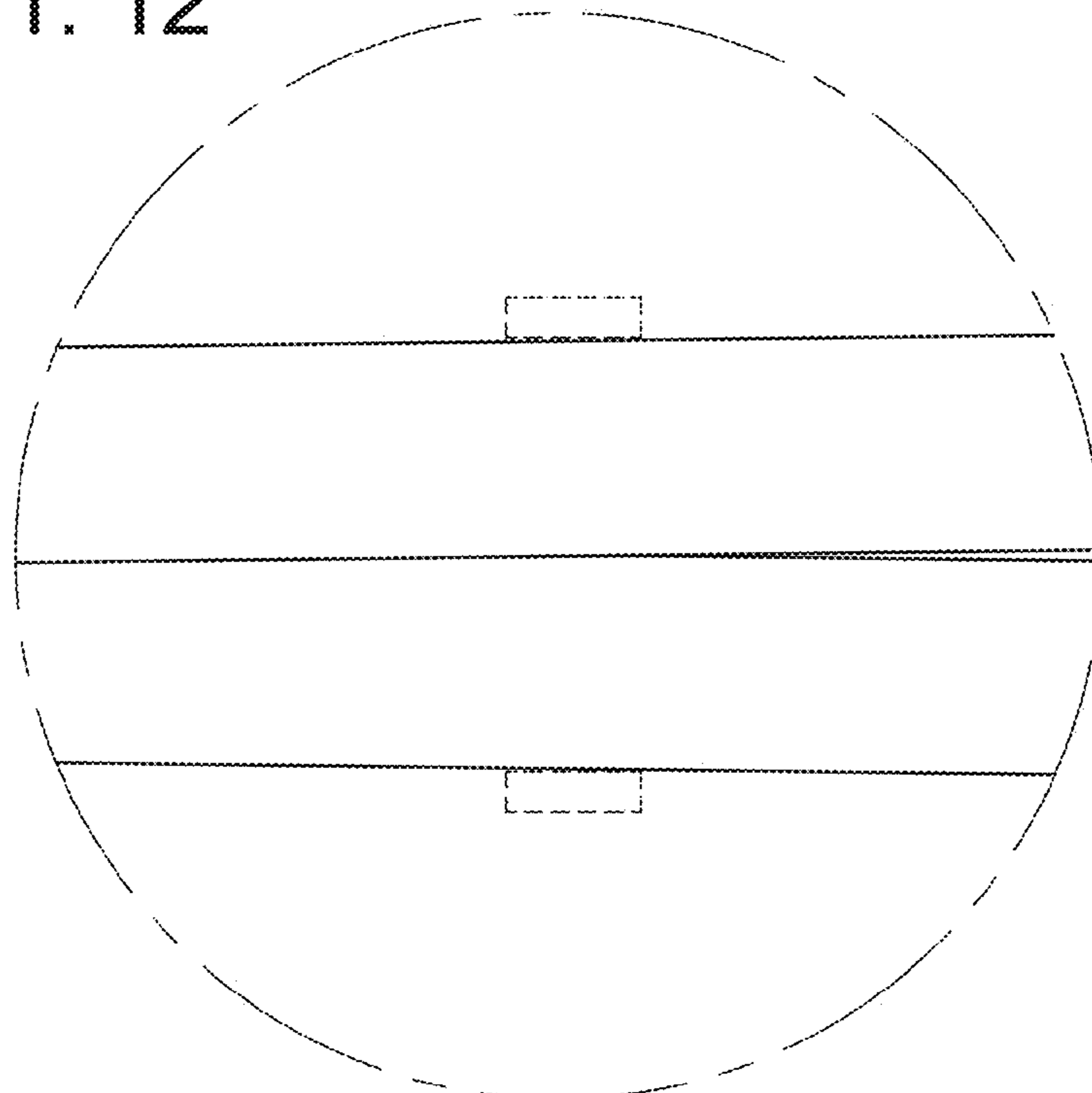
1. 10



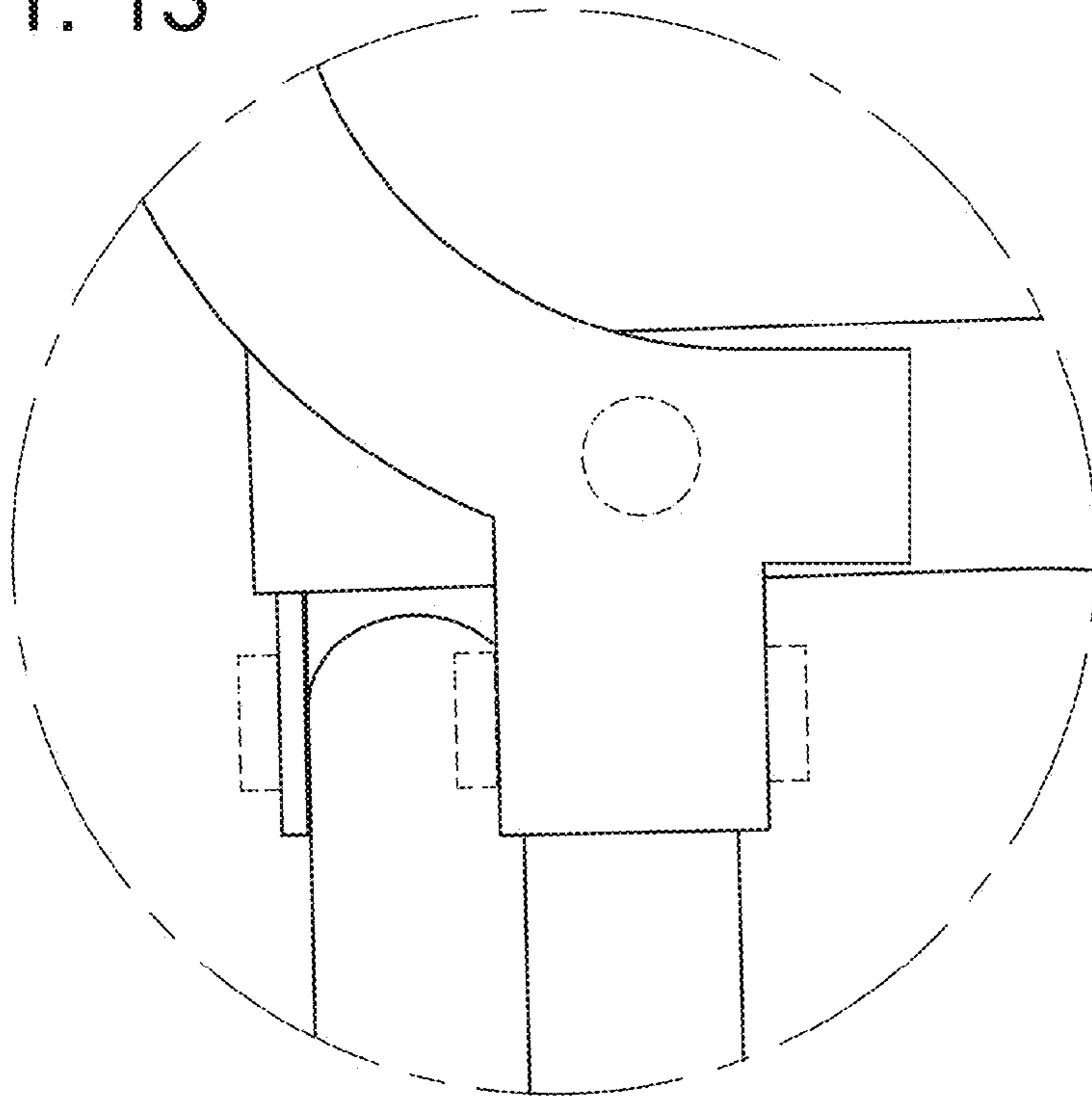
1. 11



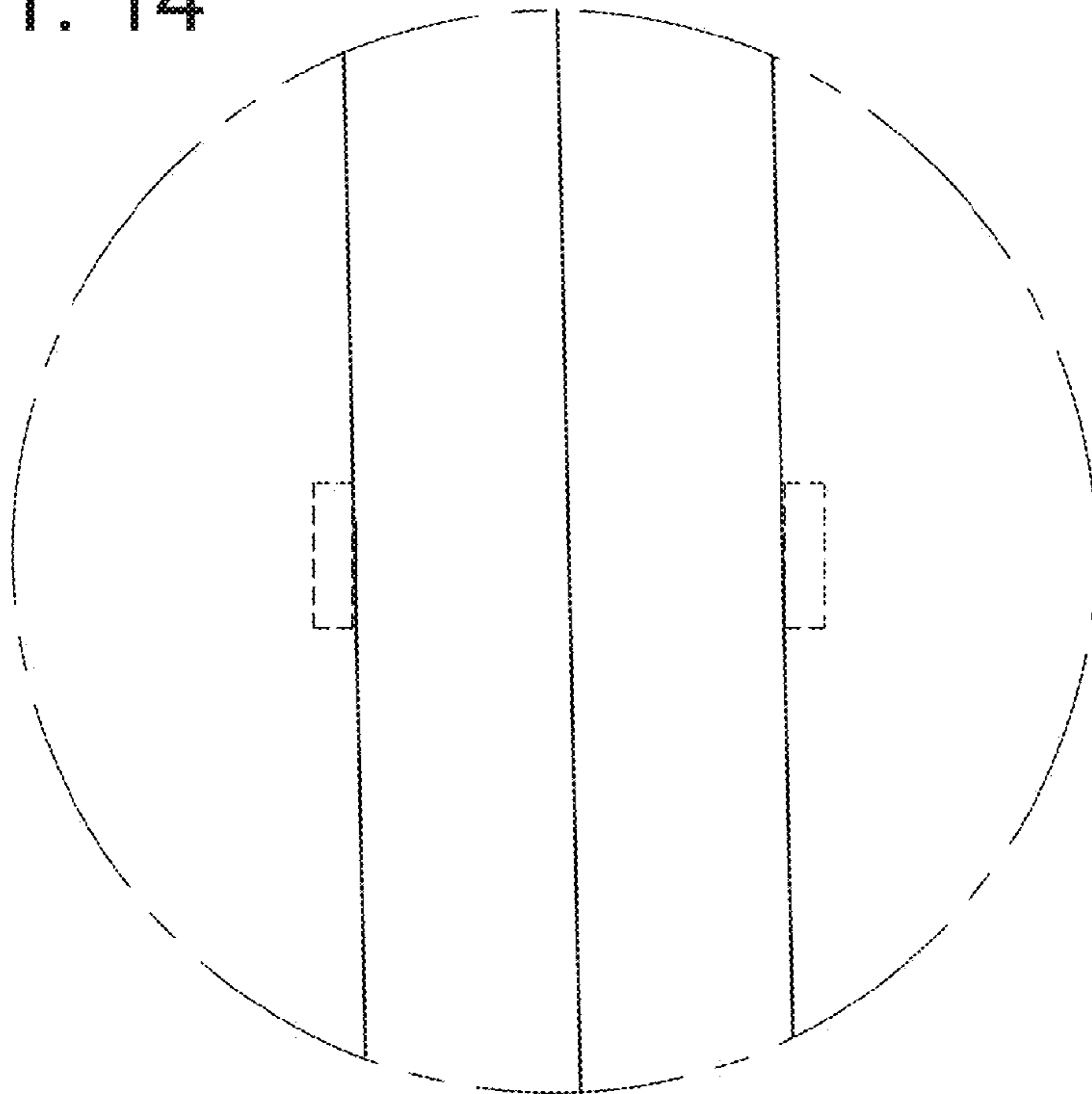
1. 12



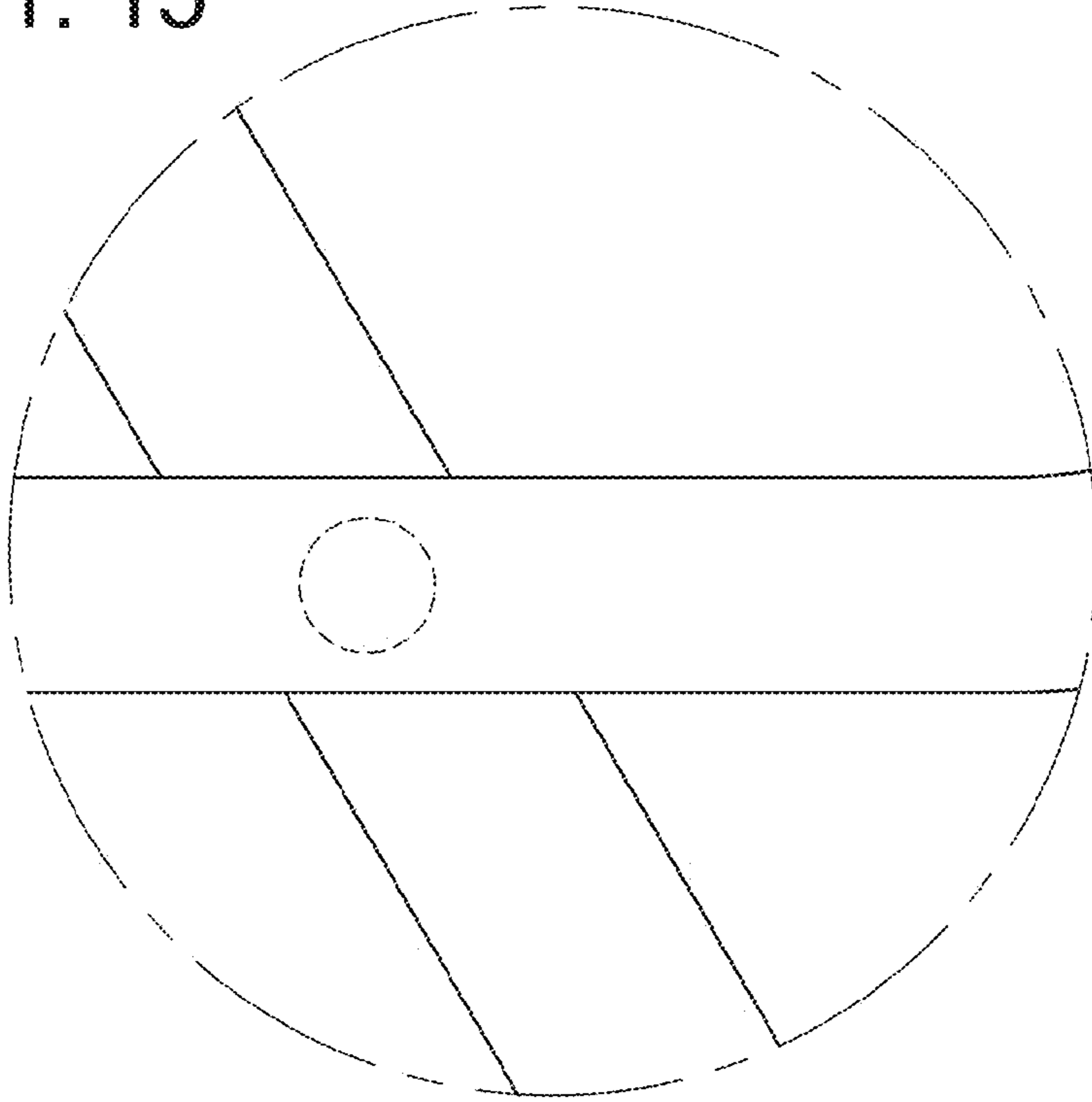
1. 13



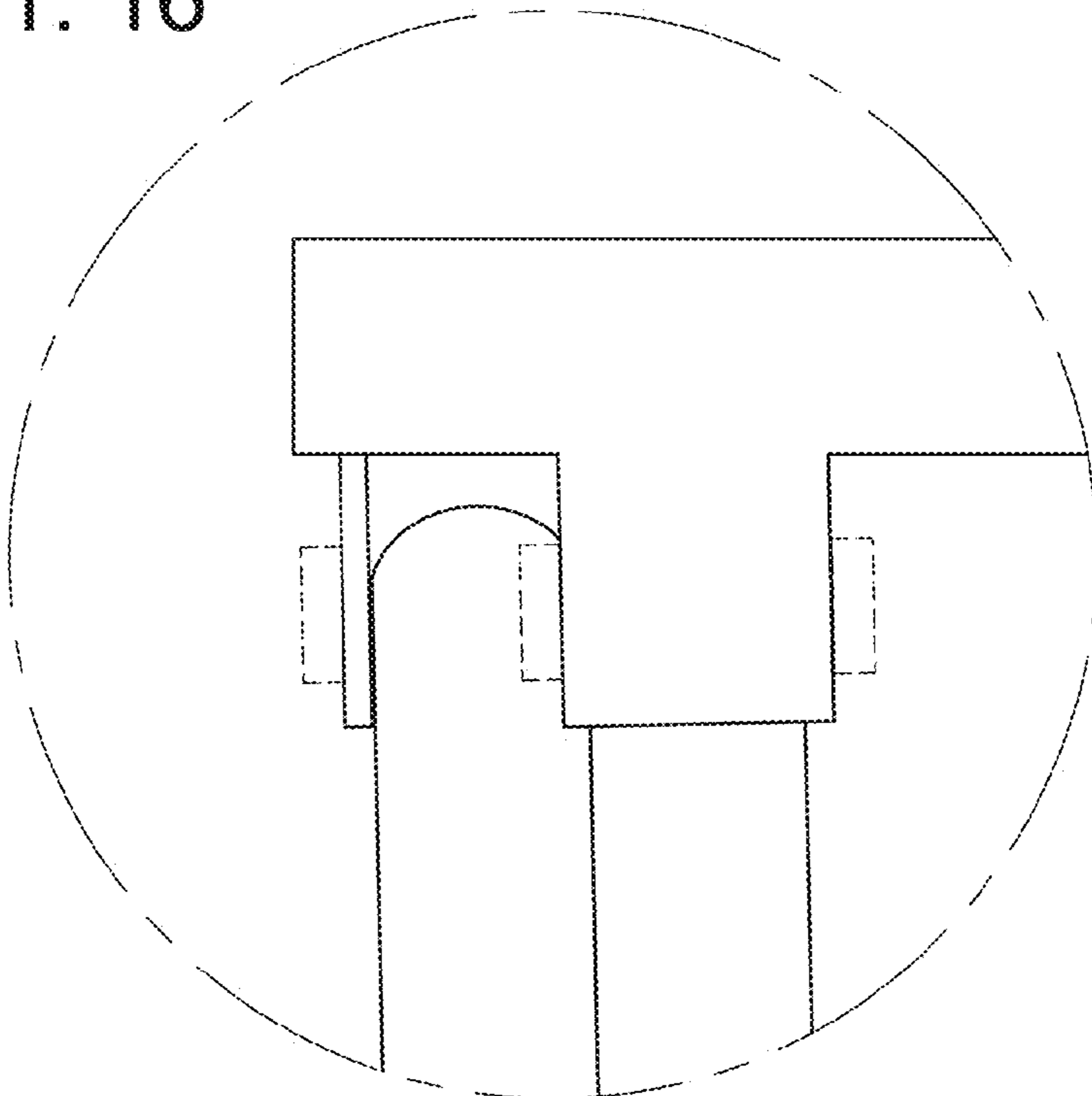
1. 14



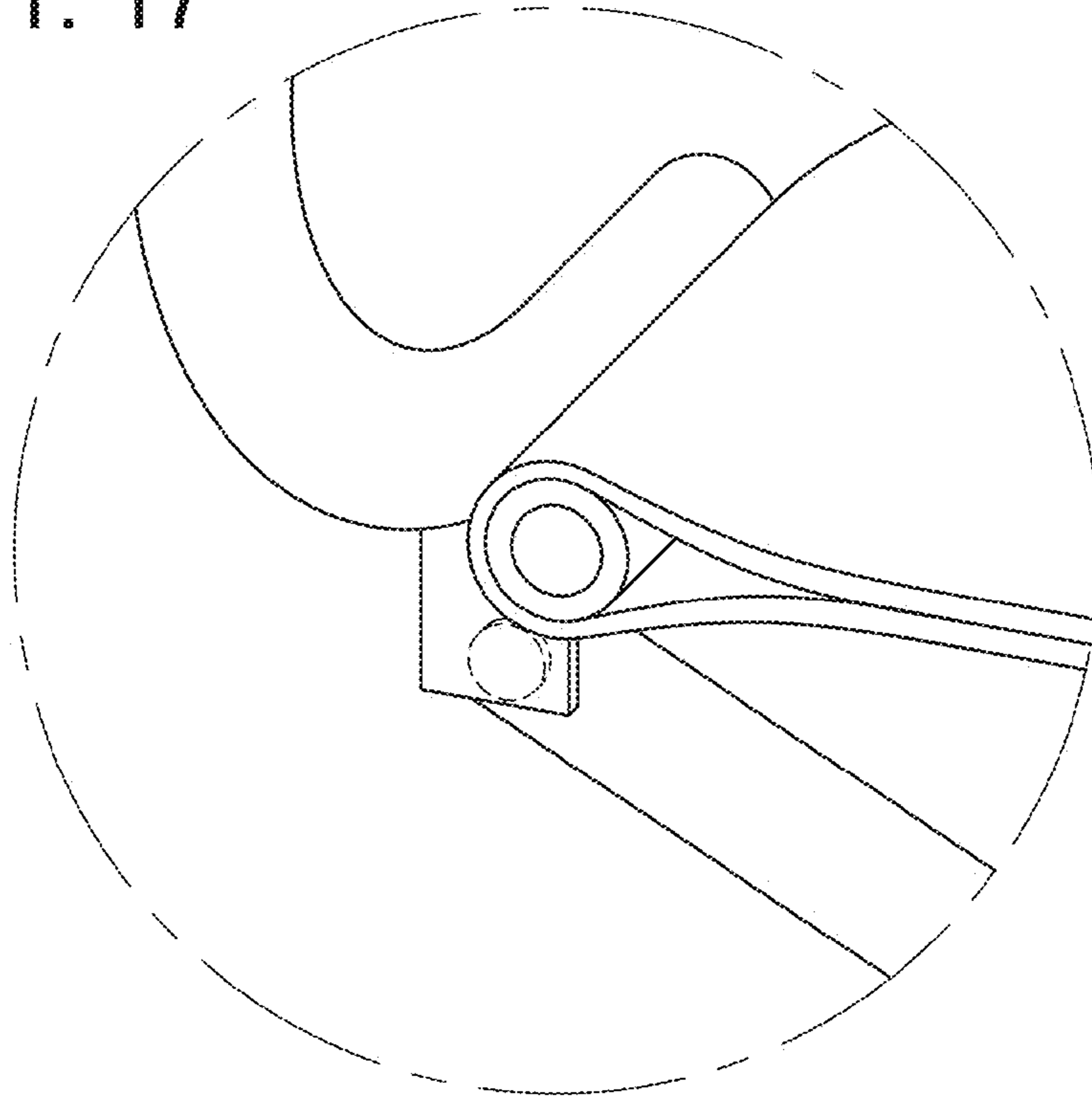
1. 15



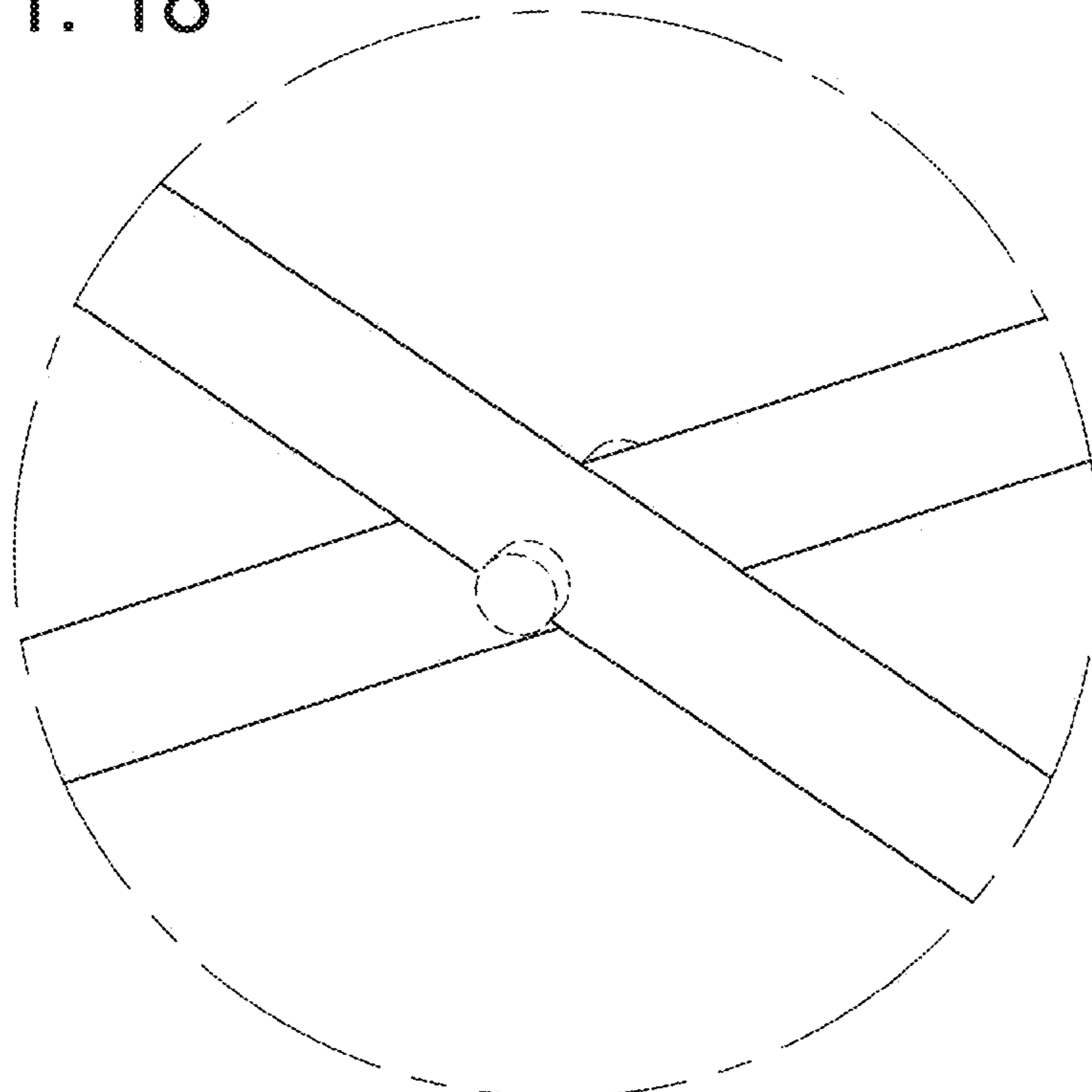
1. 16



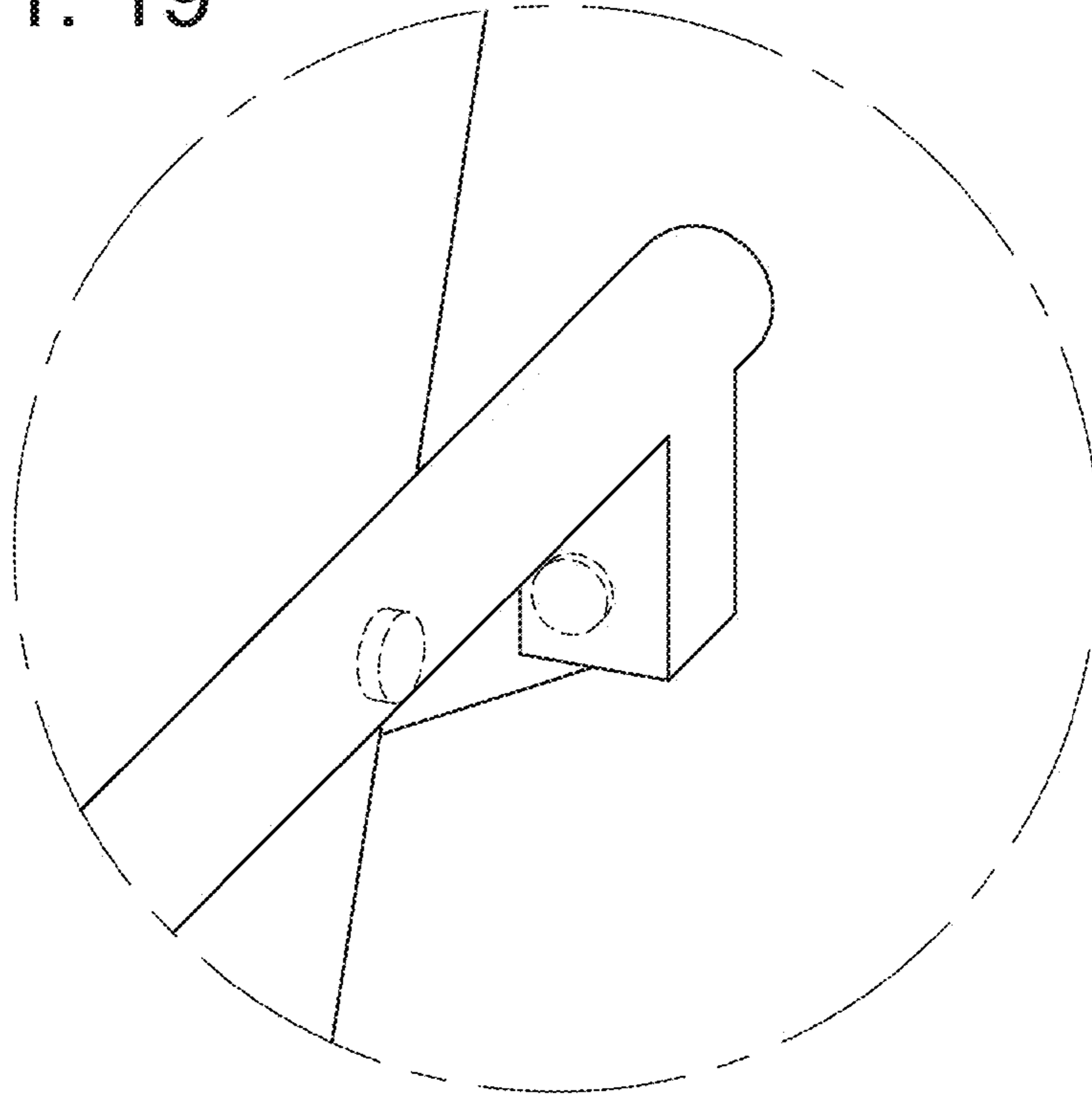
1. 17



1. 18



1. 19



1. 20

