



US00D871091S

(12) **United States Design Patent**
Whiteside et al.

(10) **Patent No.:** **US D871,091 S**
(45) **Date of Patent:** **** Dec. 31, 2019**

- (54) **STOOL**
- (71) Applicant: **Whiteside Mfg. Co.**, Delaware, OH (US)
- (72) Inventors: **Kirt E. Whiteside**, Delaware, OH (US);
Terry L. Whiteside, Delaware, OH (US)
- (73) Assignee: **Whiteside Mfg. Co.**, Delaware, OH (US)
- (**) Term: **15 Years**
- (21) Appl. No.: **29/659,299**
- (22) Filed: **Aug. 8, 2018**
- (51) **LOC (12) Cl.** **06-01**
- (52) **U.S. Cl.**
USPC **D6/360**
- (58) **Field of Classification Search**
USPC D6/334, 341, 349, 350, 352, 353, 360,
D6/364, 369, 373, 374, 375, 380, 677,
D6/692, 700, 708, 708.16, 716, 344, 363,
D6/365, 367, 370, 372
CPC A47C 3/34; A47C 7/506; A47C 9/007;
A47C 13/023; A47C 4/028; A47C 4/02;
A47C 9/00; A47C 9/005
See application file for complete search history.

- D224,189 S * 7/1972 Gorelick D6/365
- 4,690,459 A * 9/1987 Ullman A47C 9/005
297/452.21
- D298,987 S * 12/1988 Tiffany D6/360
- D305,965 S * 2/1990 Mulhauser D6/349
- D313,896 S * 1/1991 Kaye D6/360
- D361,900 S * 9/1995 van den Heuvel D6/360
- D366,772 S * 2/1996 Pasin D6/349
- D414,947 S * 10/1999 Liu D6/344
- D428,273 S * 7/2000 Ohl D6/365
- D436,748 S * 1/2001 Noll D6/360
- D449,456 S * 10/2001 Muller A47C 9/007
D6/360
- 6,604,784 B1 * 8/2003 Bosman A47B 7/02
297/171
- 7,722,123 B2 * 5/2010 Holland A47B 13/023
297/423.1
- 7,931,339 B1 * 4/2011 Stocker A47C 7/021
297/383
- D682,562 S * 5/2013 Plested D6/333
- 9,149,123 B2 * 10/2015 Dennehy A47C 7/029

(Continued)

Primary Examiner — Kevin K Rudzinski
Assistant Examiner — Paul D Bohannon
(74) *Attorney, Agent, or Firm* — Renner, Kenner, Greive,
Bobak, Taylor & Weber

(57) **CLAIM**

The ornamental design for a stool, as shown and described.

DESCRIPTION

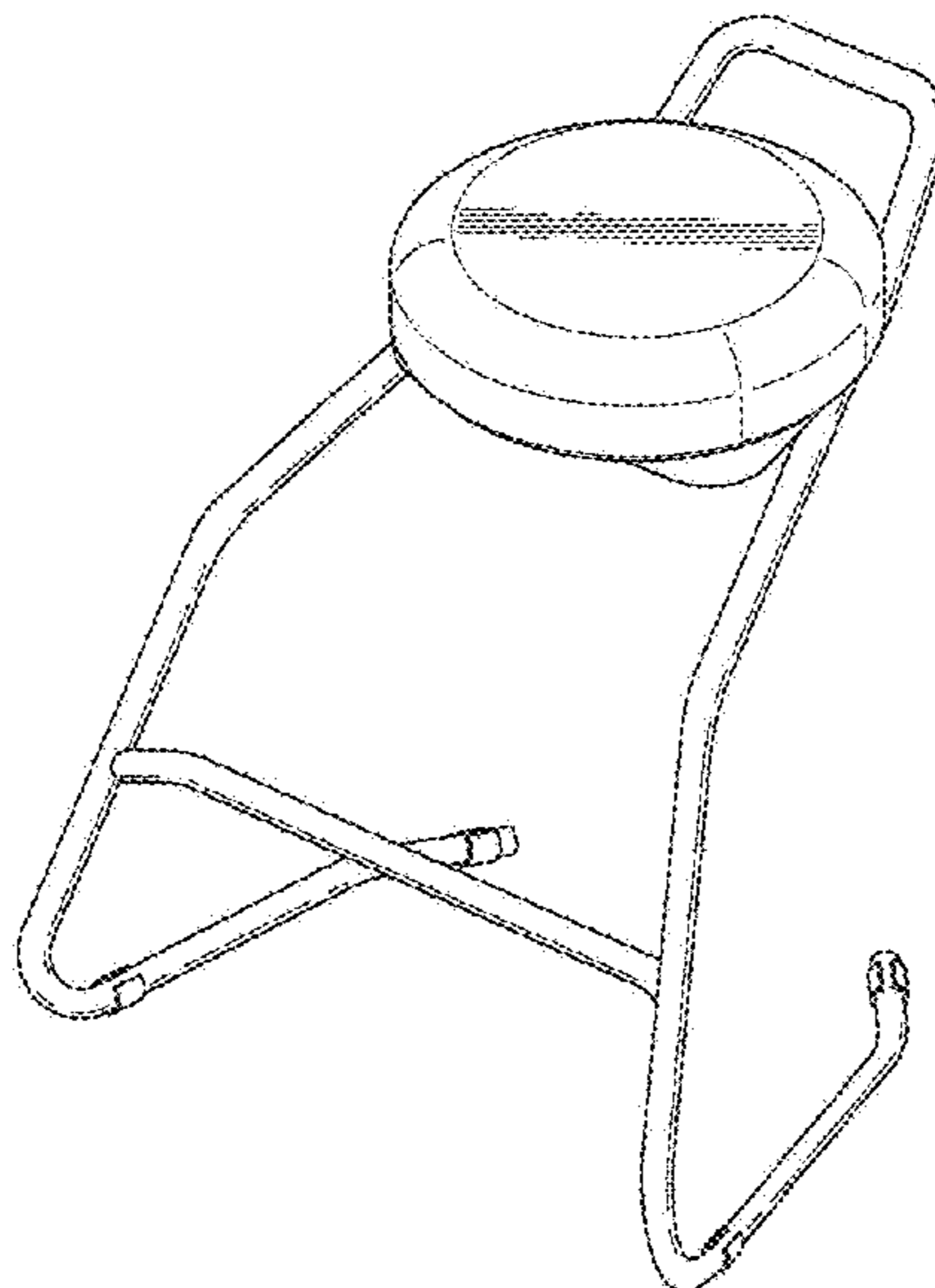
FIG. 1 is a top, front, left side perspective view of a stool showing our new design;
FIG. 2 is a front elevational view thereof;
FIG. 3 is a left side elevational view thereof;
FIG. 4 is a right side elevational view thereof;
FIG. 5 is a rear side elevational view thereof;
FIG. 6 is a top plan view thereof; and,
FIG. 7 is a bottom plan view thereof.

1 Claim, 7 Drawing Sheets

(56) **References Cited**

U.S. PATENT DOCUMENTS

- 1,976,449 A * 10/1934 Lorenz A47C 3/023
297/295
- D96,757 S * 9/1935 Kalter D6/367
- 2,465,104 A * 3/1949 Kullack A47D 1/004
297/338
- 2,502,857 A * 4/1950 Kipp A47C 4/02
297/446.2
- 2,872,966 A * 2/1959 Chamness A47C 9/025
297/311



(56)

References Cited

U.S. PATENT DOCUMENTS

9,237,809 B2 *	1/2016	Kassanoff	A47C 3/04
D748,924 S *	2/2016	Walser	D6/352
D750,910 S *	3/2016	Yassa	D6/339
D811,789 S *	3/2018	Fletcher	D6/708.16
D836,929 S *	1/2019	Fletcher	D6/348
D837,545 S *	1/2019	Jahns	D6/349
2012/0086258 A1 *	4/2012	Fletcher	A47B 91/024 297/445.1

* cited by examiner

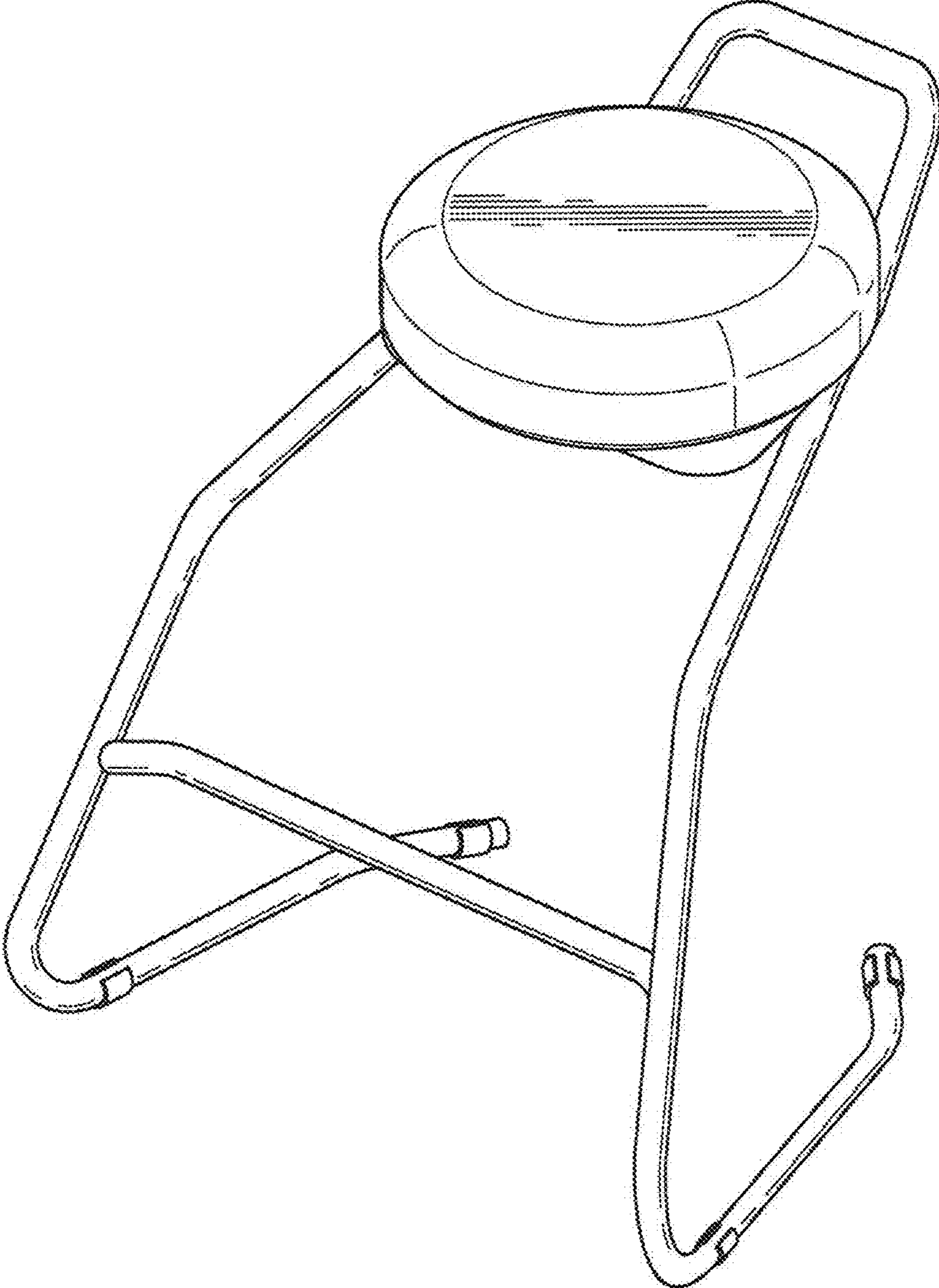


FIG. 1

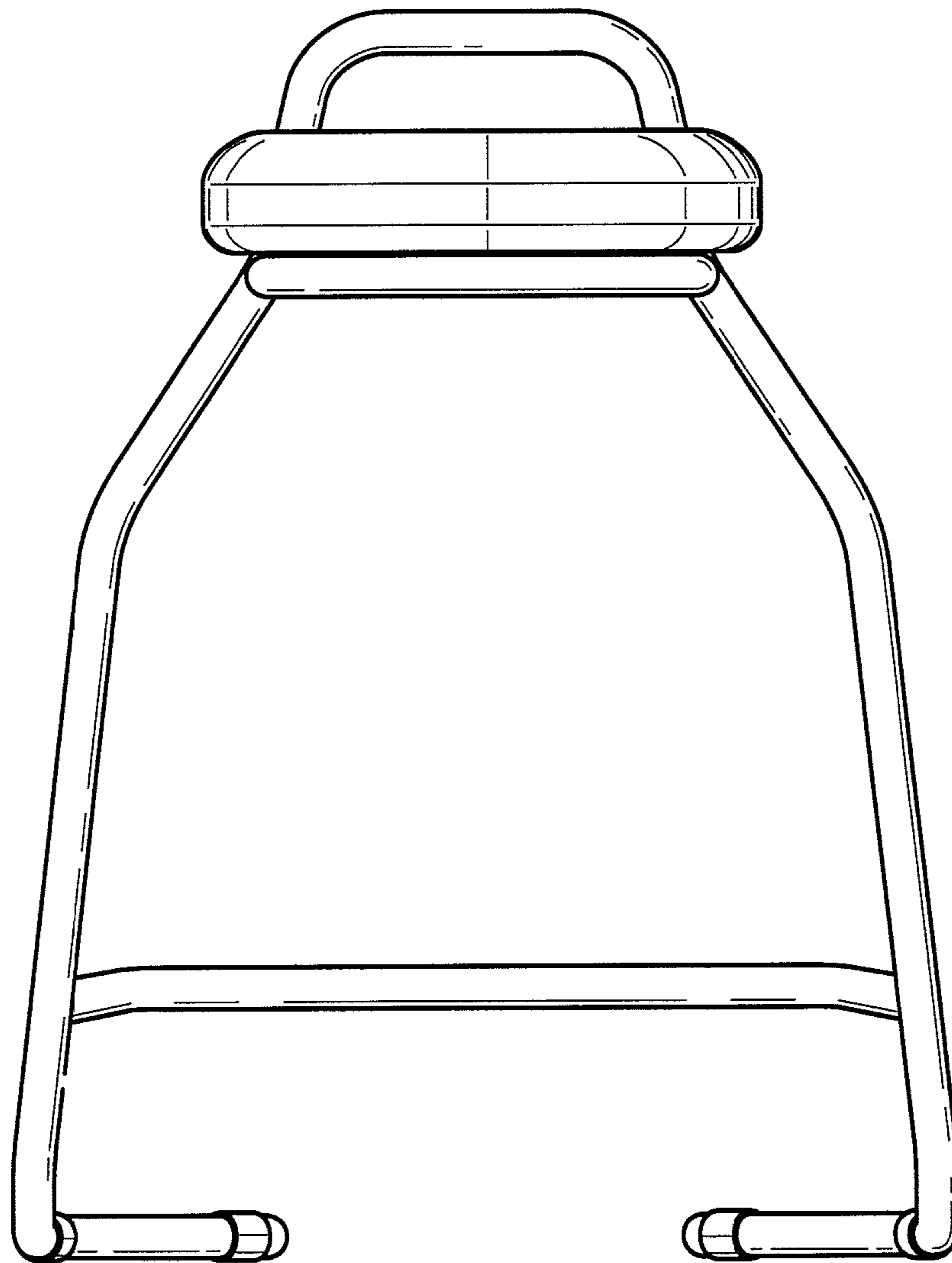


FIG. 2

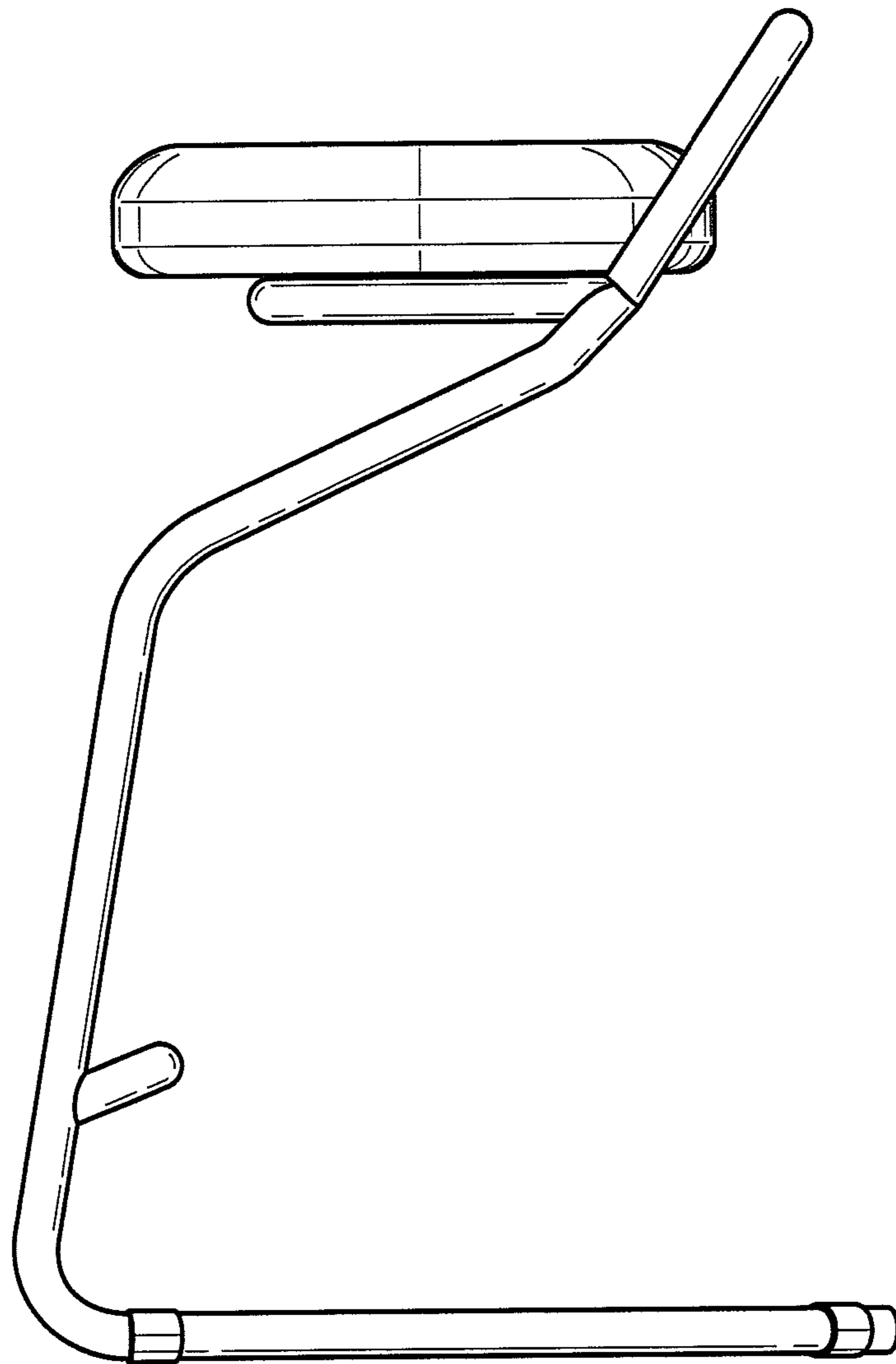


FIG. 3

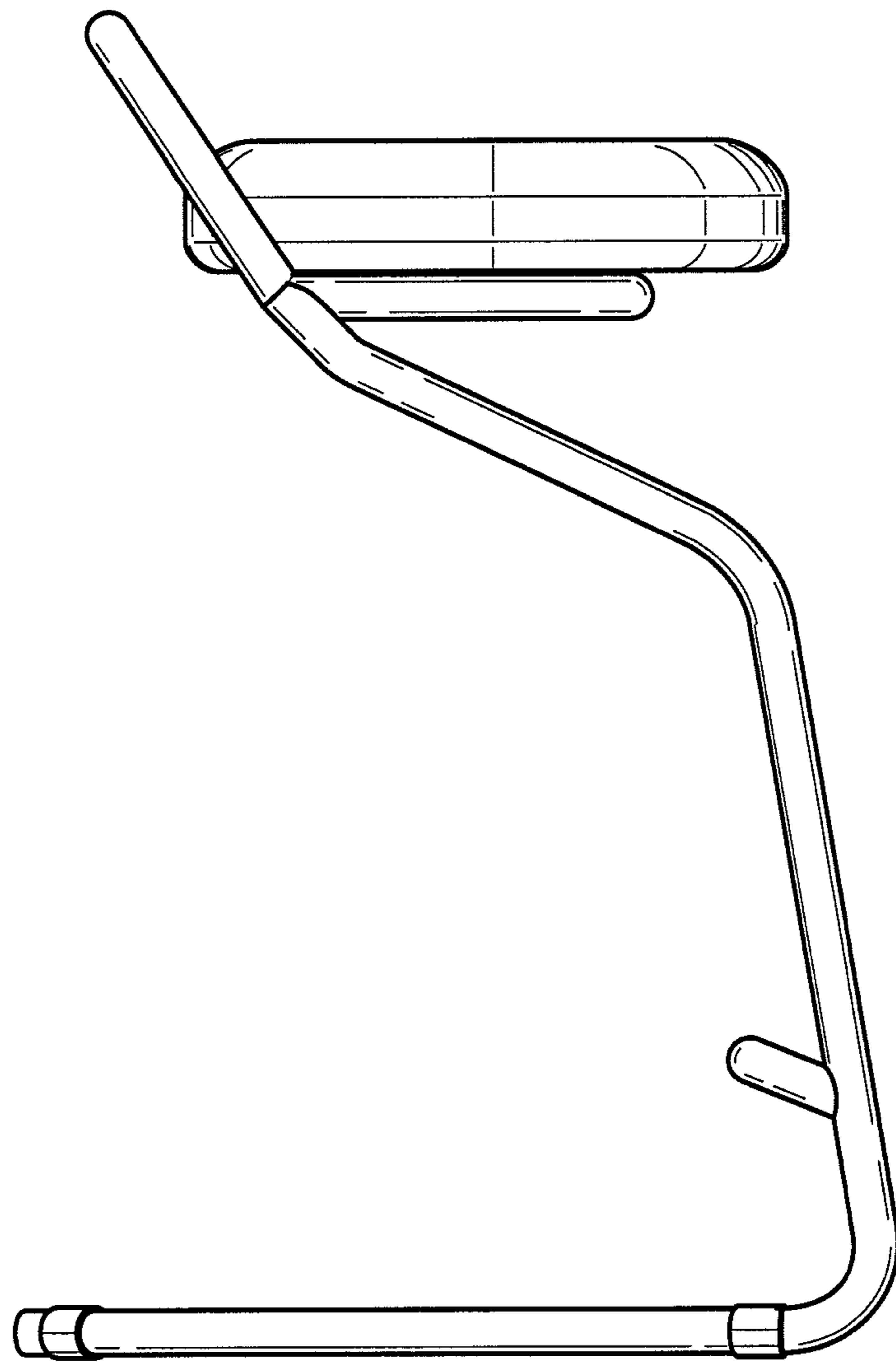


FIG. 4

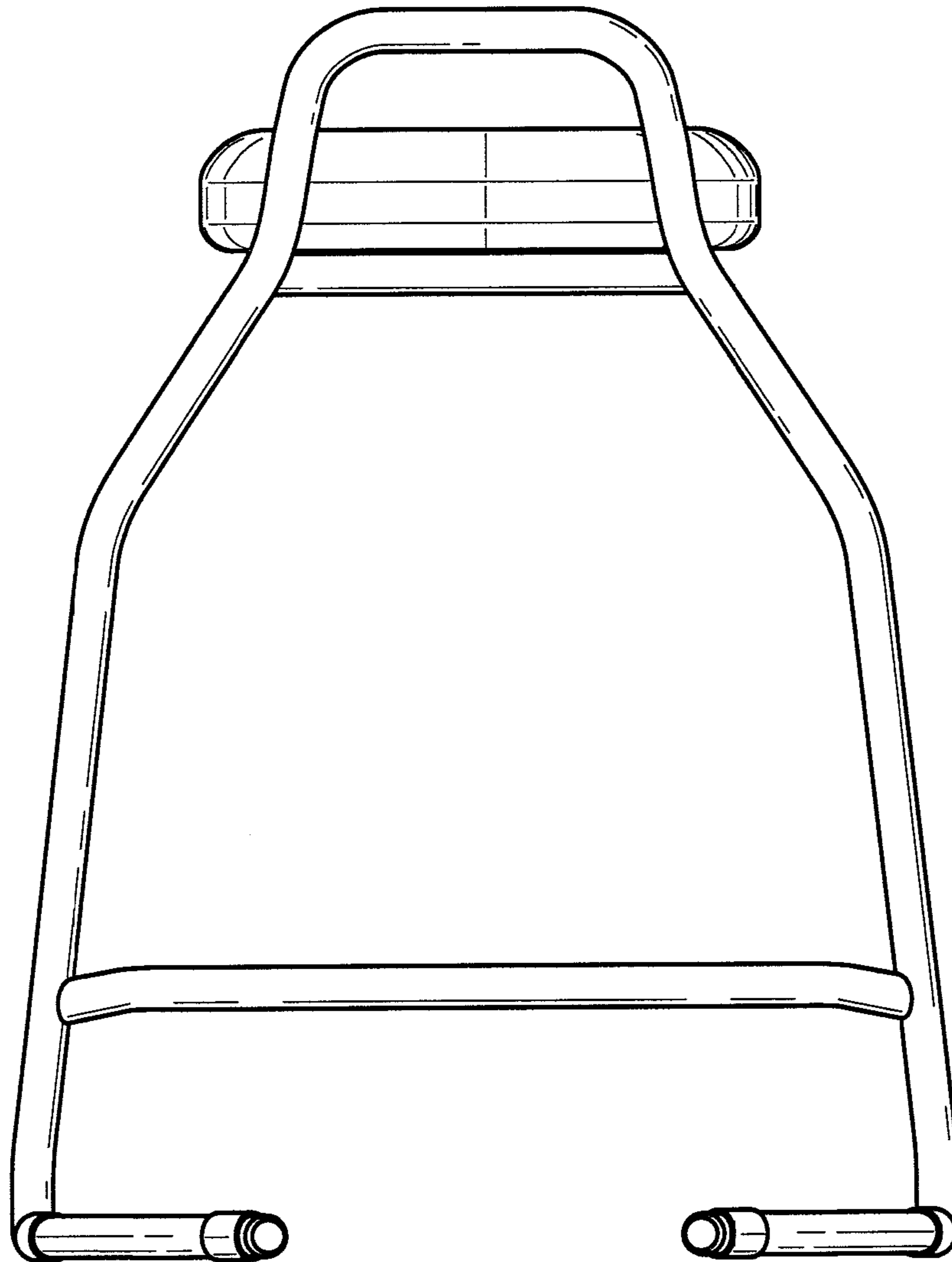


FIG. 5

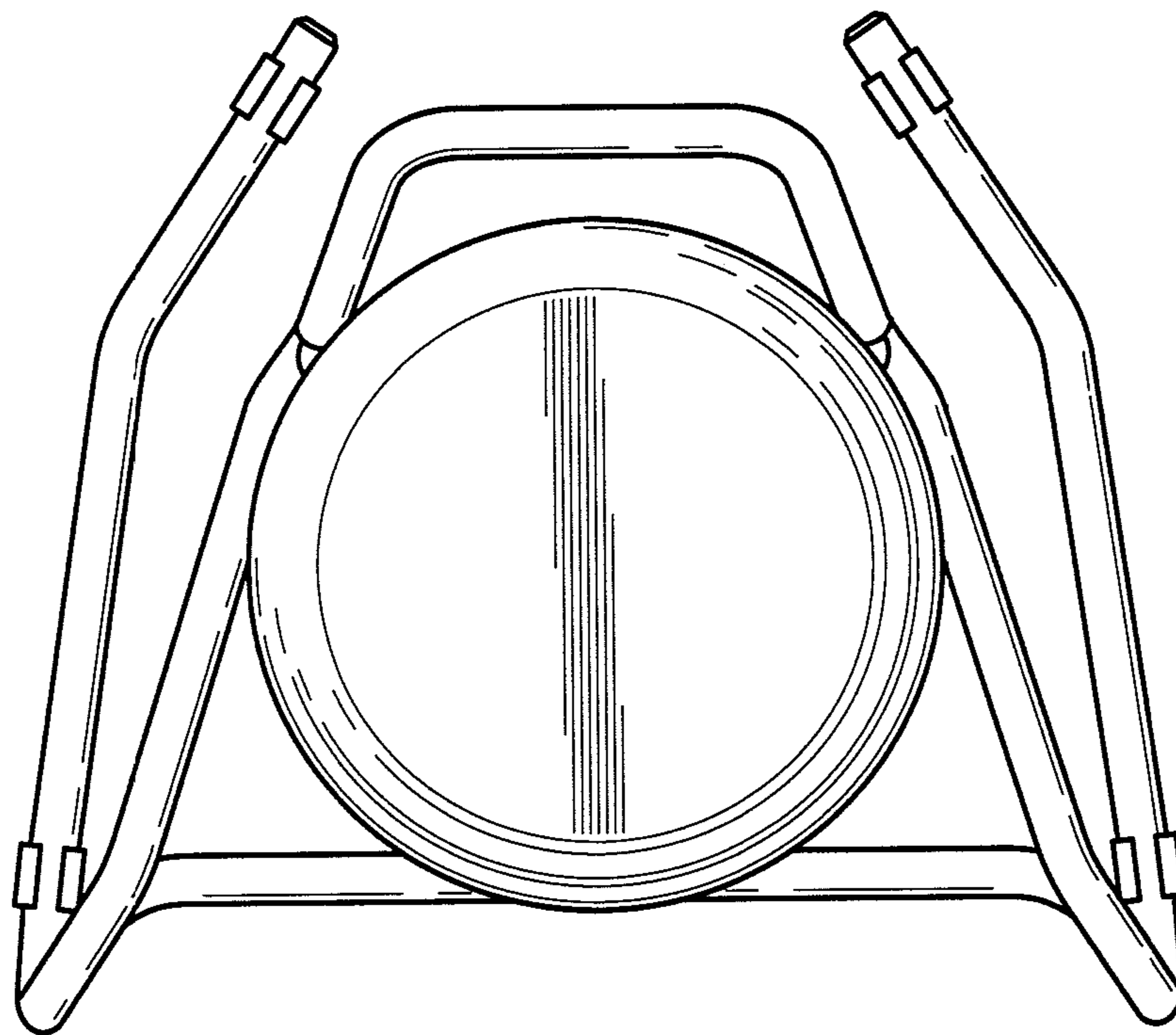


FIG. 6

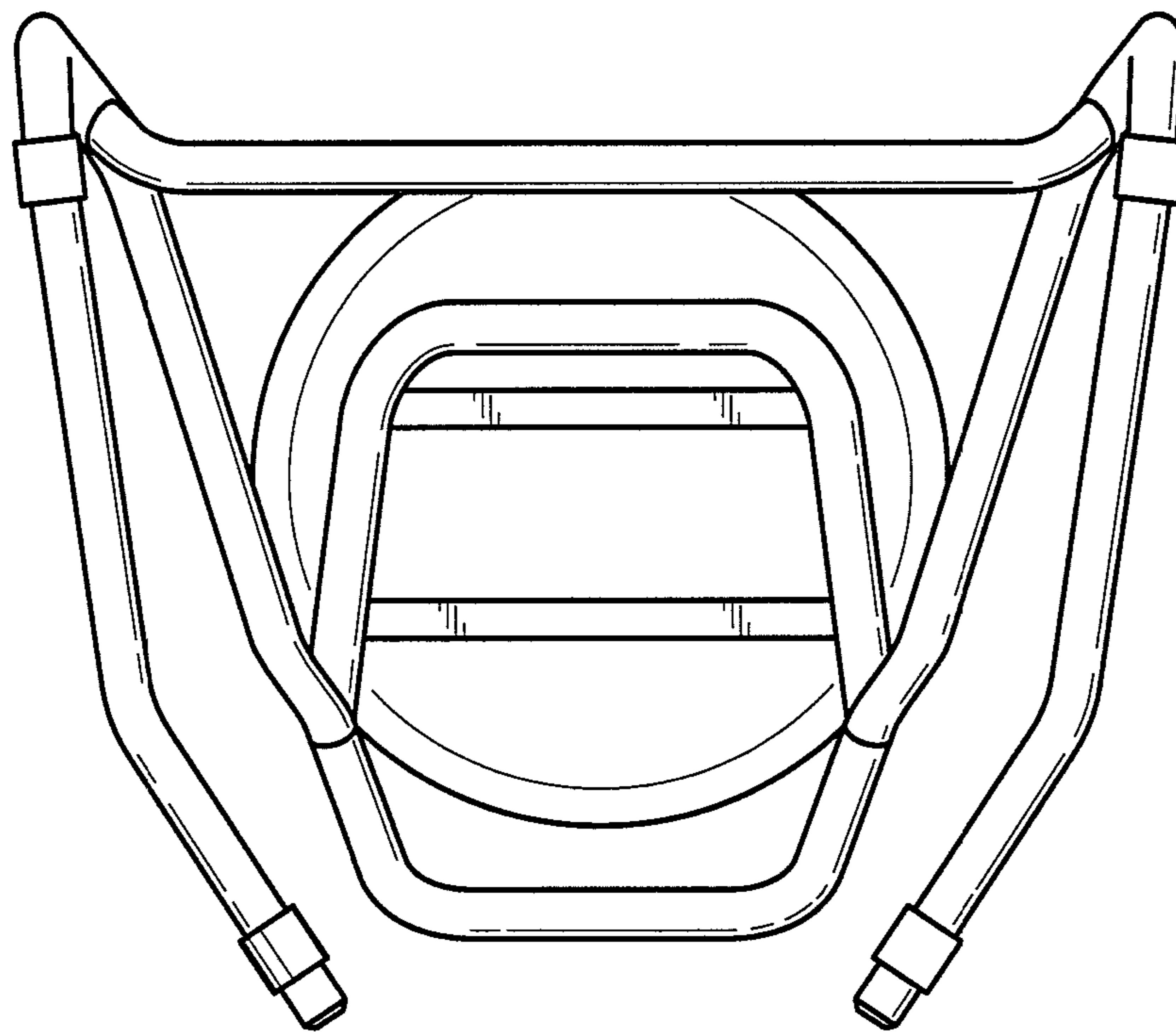


FIG. 7