



US00D871089S

(12) **United States Design Patent** (10) **Patent No.:** **US D871,089 S**  
**Iwasaki** (45) **Date of Patent:** **\*\* \*Dec. 31, 2019**

(54) **BENCH**

A47C 4/02; A47C 7/16; A47C 7/18;  
A47C 11/00; A47C 11/005; A47C 13/00

See application file for complete search history.

(71) Applicant: **ARPER S.P.A.**, Monastier di Treviso  
(IT)

(56) **References Cited**

(72) Inventor: **Ichiro Iwasaki**, Treviso (IT)

U.S. PATENT DOCUMENTS

(73) Assignee: **Arper S.p.A.**, Monastier di Treviso (IT)

D202,339	S	*	9/1965	Mcree	.....	D6/336
3,817,573	A	*	6/1974	Facury	.....	A47B 85/04 108/62
D484,709	S	*	1/2004	Cronk	.....	D6/336
D675,453	S	*	2/2013	Blet	.....	D6/335
D698,178	S	*	1/2014	Nguyen	.....	D6/381
D698,564	S	*	2/2014	Behar	.....	D6/381
8,721,000	B2	*	5/2014	Nguyen	.....	A47C 7/402 297/378.1
D722,237	S	*	2/2015	Baraldi	.....	D6/336
D722,238	S	*	2/2015	Baraldi	.....	D6/336

(\*) Notice: This patent is subject to a terminal disclaimer.

(\*\*) Term: **15 Years**

(21) Appl. No.: **35/505,396**

(Continued)

(22) Filed: **Jul. 6, 2018**

FOREIGN PATENT DOCUMENTS

(80) **Hague Agreement Data**

GB	2096344	*	10/2000
WO	WO-D022161-004	*	4/1992

Int. Filing Date: **Jul. 6, 2018**

Int. Reg. No.: **DM/102021**

Int. Reg. Date: **Jul. 6, 2018**

Int. Reg. Pub. Date: **Aug. 3, 2018**

OTHER PUBLICATIONS

New collection Kiik-Arper (available online) Retrieved from the internet Apr. 9, 2019 from URL: <https://www.arper.com/us/en/stories/news/kiik-preview>.\*

(Continued)

(30) **Foreign Application Priority Data**

Feb. 8, 2018 (WO) ..... DM/101147

(51) **LOC (12) Cl.** ..... **06-01**

(52) **U.S. Cl.**

USPC ..... **D6/335**

(58) **Field of Classification Search**

USPC ..... D6/334-336, 349-353, 355, 357, 361,  
D6/363-365, 370-375, 380-381, 596,  
D6/601, 604, 691-691.9, 692-692.6,  
D6/708.17, 716-716.3

CPC ..... A47C 1/16; A47C 1/124; A47C 1/143;

*Primary Examiner* — George D. Kirschbaum

*Assistant Examiner* — Richard Kearney

(74) *Attorney, Agent, or Firm* — Thomas|Horstemeyer, LLP

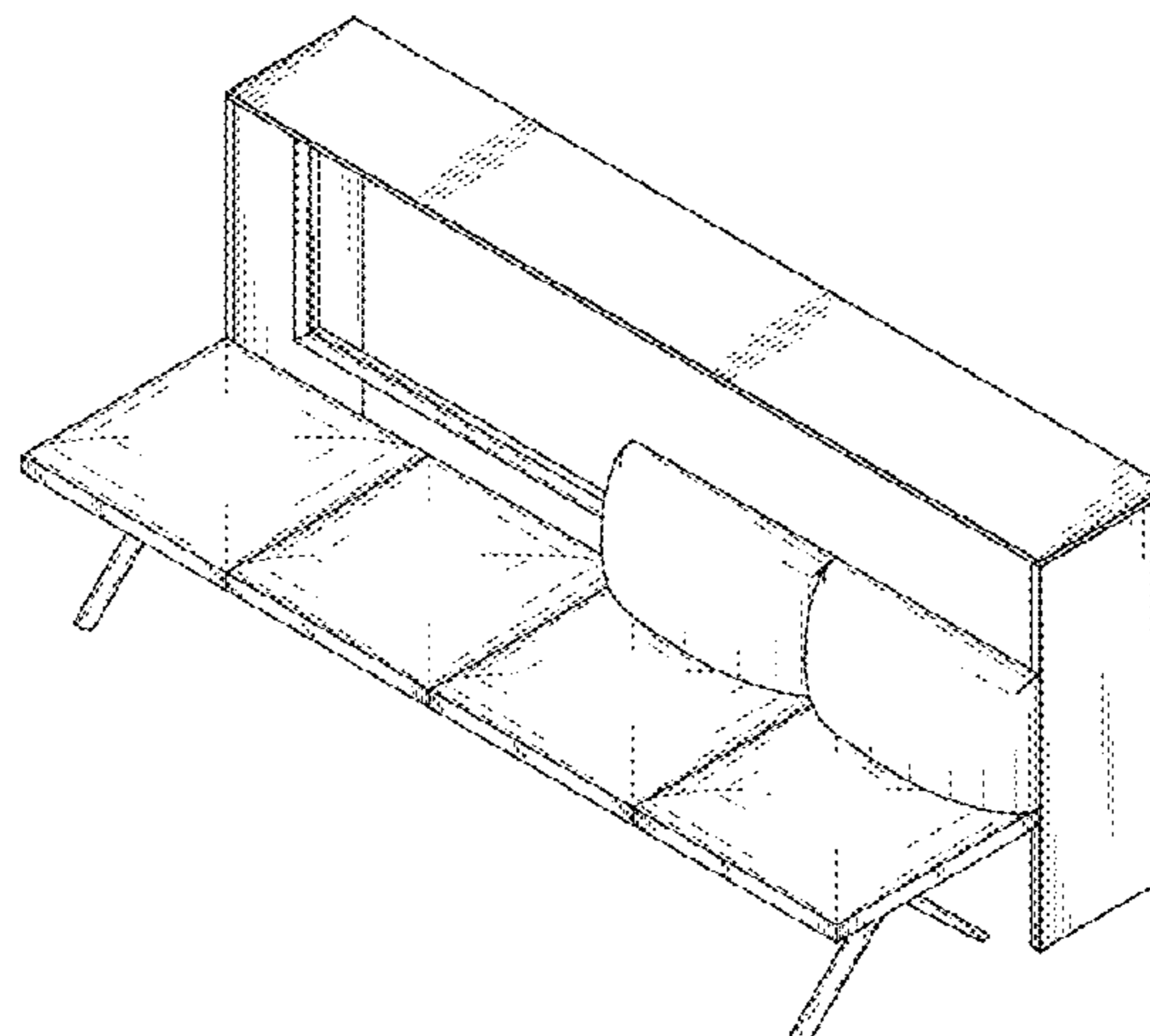
(57) **CLAIM**

The ornamental design for a bench, as shown and described.

**DESCRIPTION**

- 1. Bench
- 1.1 : Perspective
- 1.2 : Left

(Continued)



1.3 : Right  
1.4 : Front  
1.5 : Back  
1.6 : Top  
1.7 : Bottom

**1 Claim, 7 Drawing Sheets**

(56)

**References Cited**

U.S. PATENT DOCUMENTS

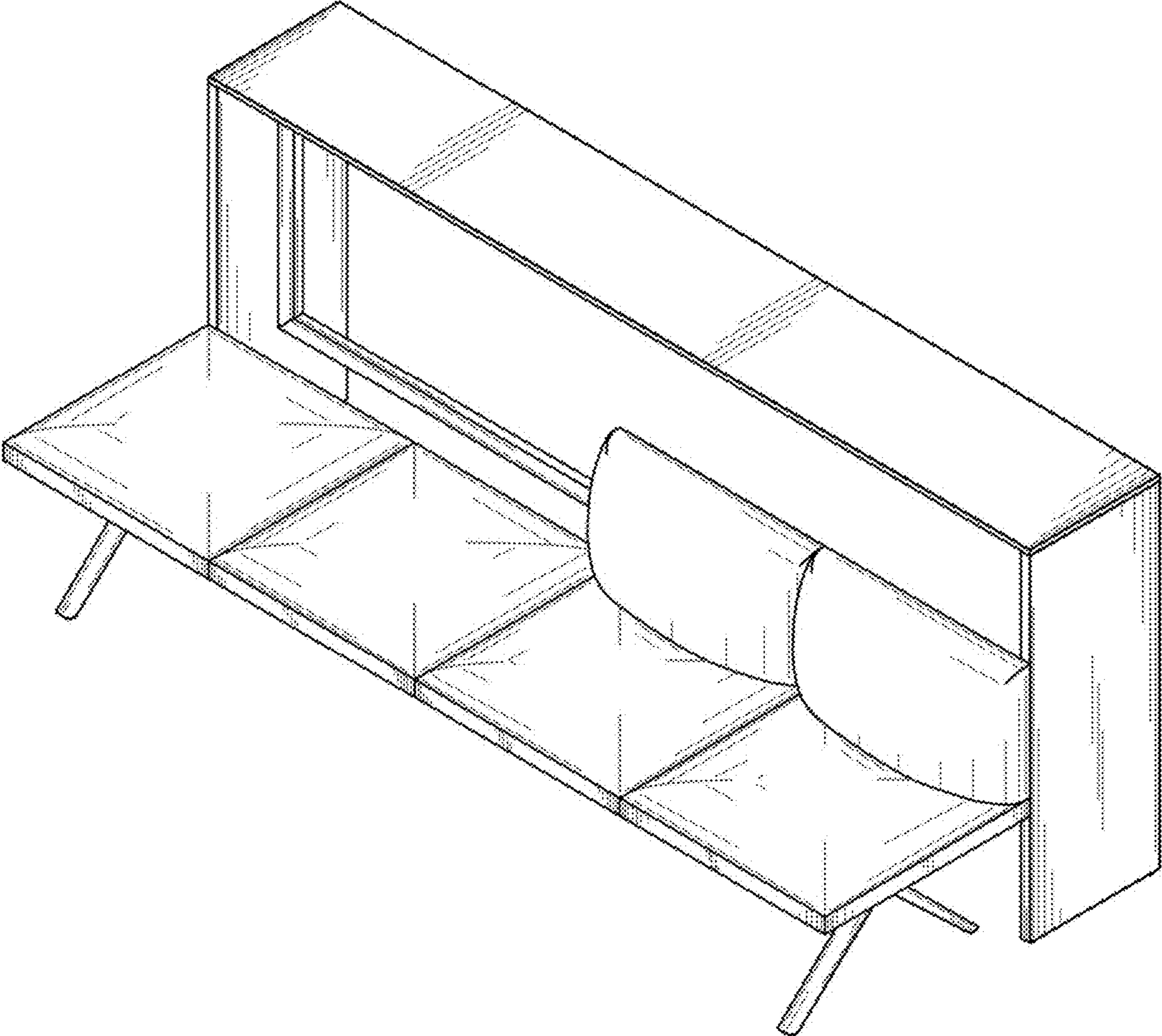
8,950,817 B2 *	2/2015	Iacovoni .....	A47B 83/02 297/452.18
D849,427 S *	5/2019	Lissoni .....	D6/336
2005/0140184 A1 *	6/2005	Williams .....	A47B 83/00 297/135

OTHER PUBLICATIONS

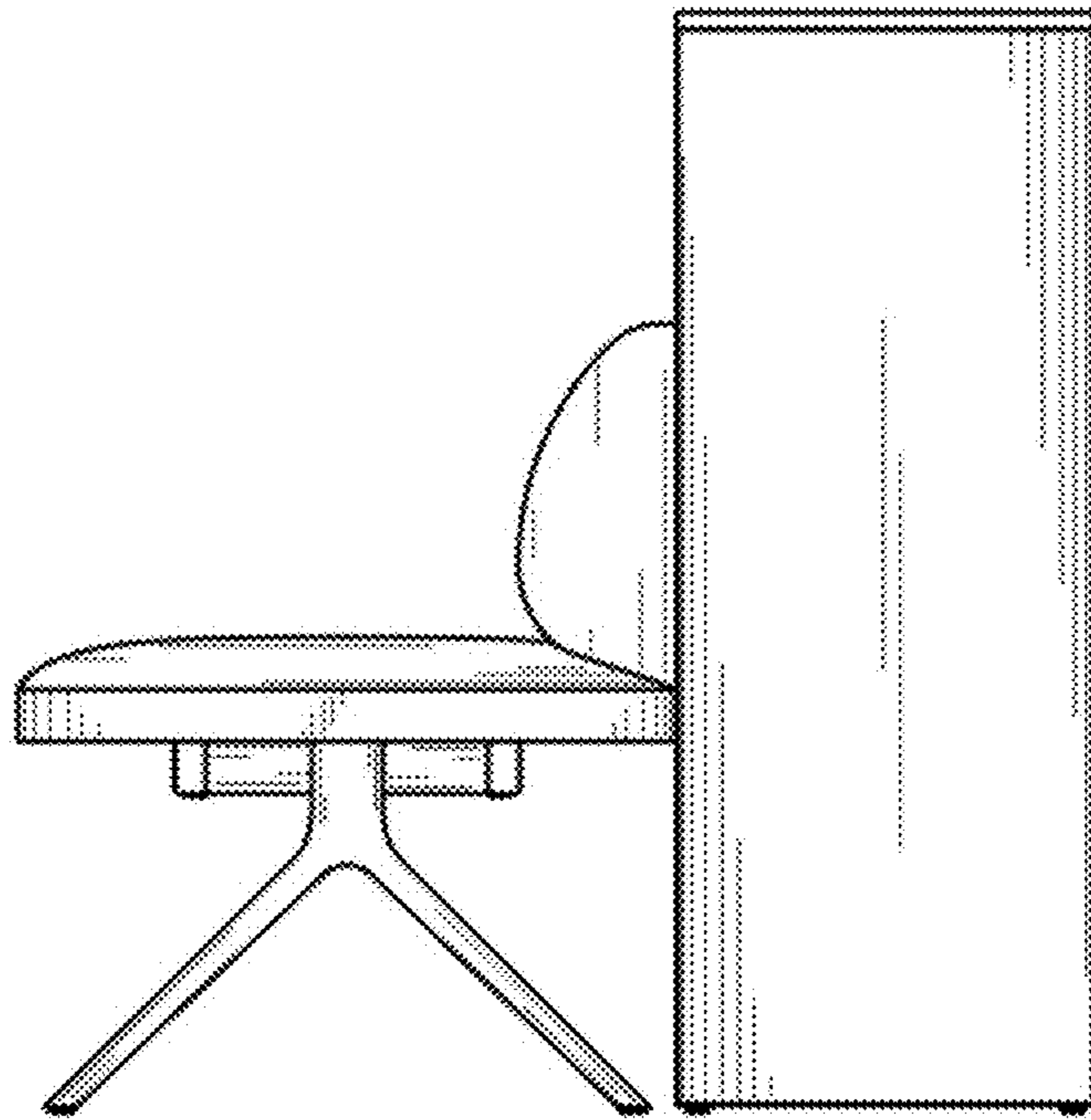
Modern-leather-sofa-bed (available online) Retrieved from the internet Apr. 9, 2019 from URL: <http://jivebike.com/wp-content/uploads/2018/11/modern-leather-sofa-bed-contemporary-leather-sofa-bed-bedroom-couch-bed-two-seater-sofa-bed-m1>.\*

\* cited by examiner

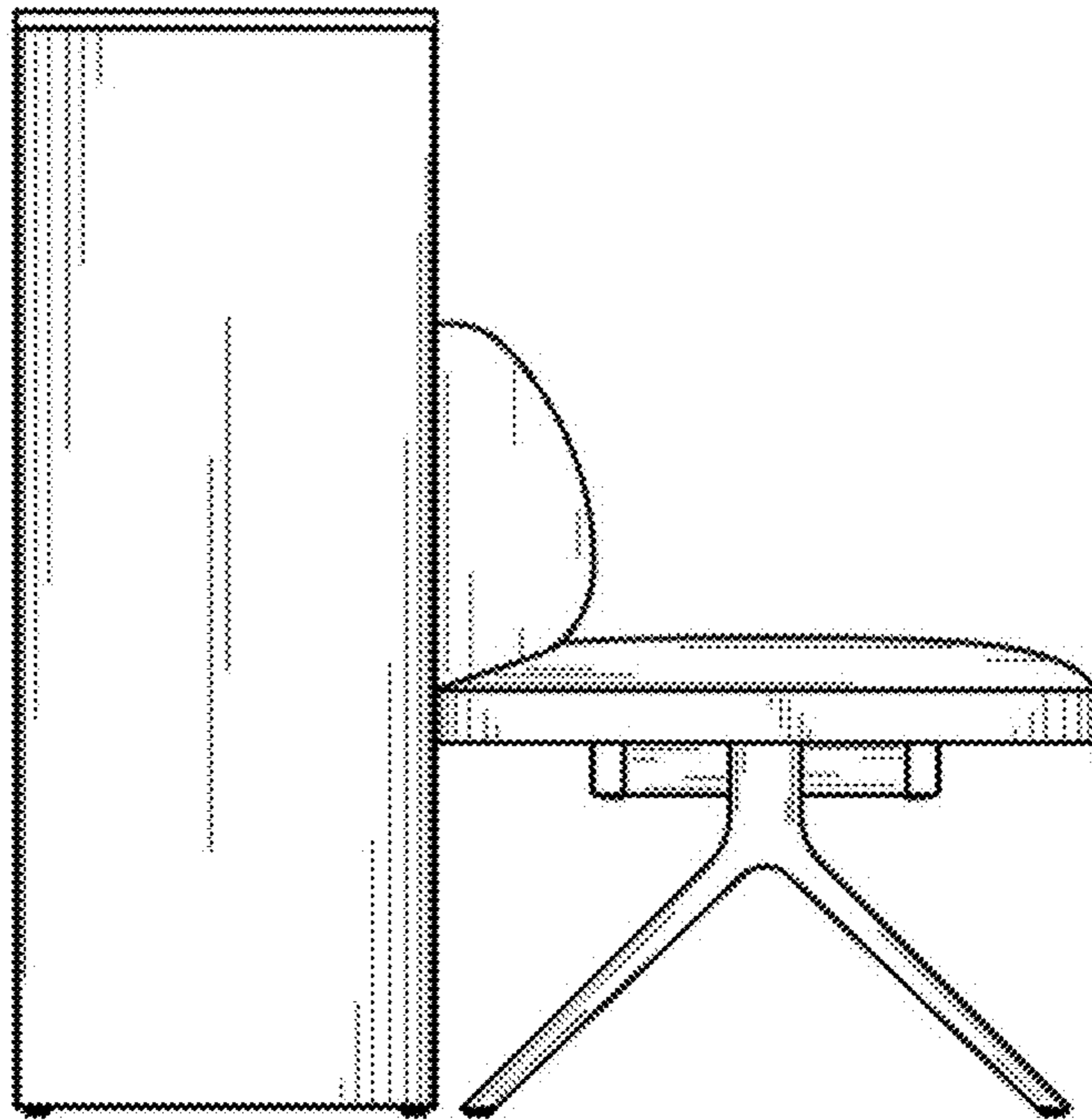
1.1



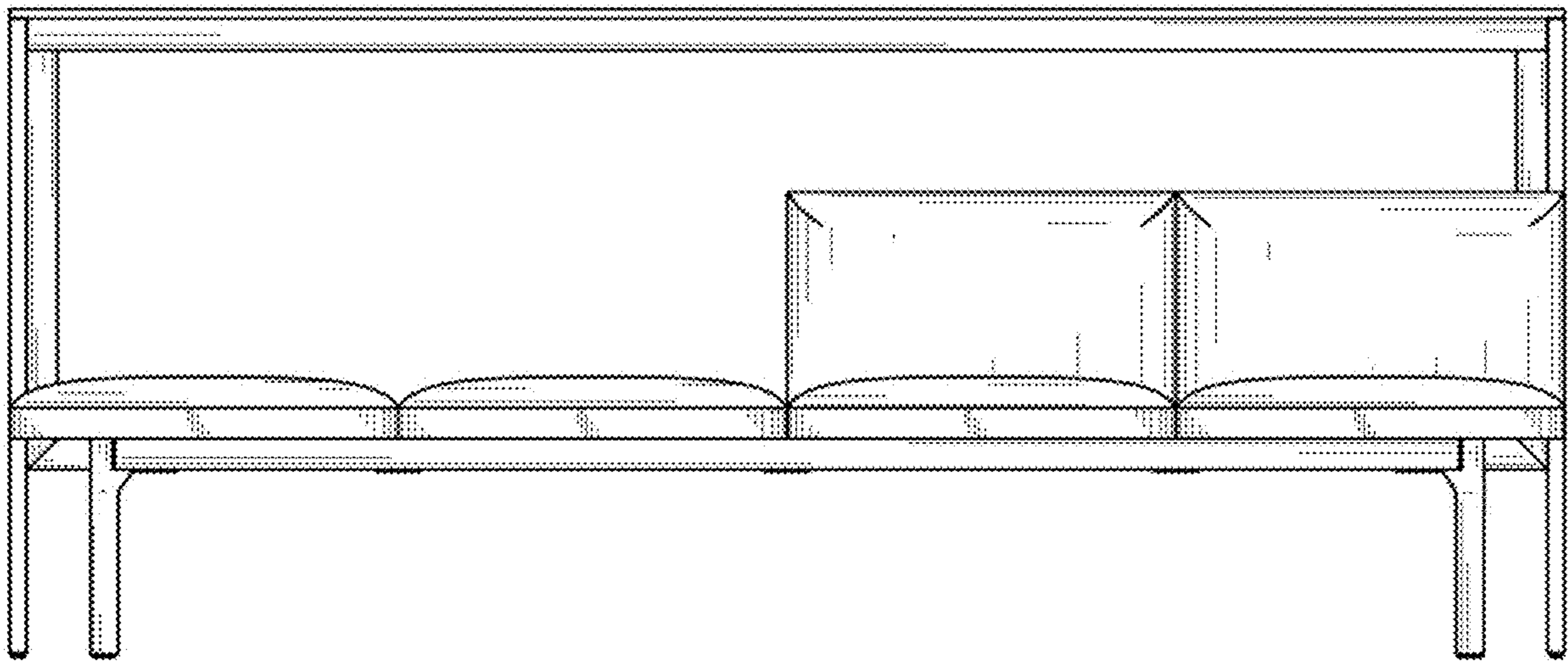
1.2



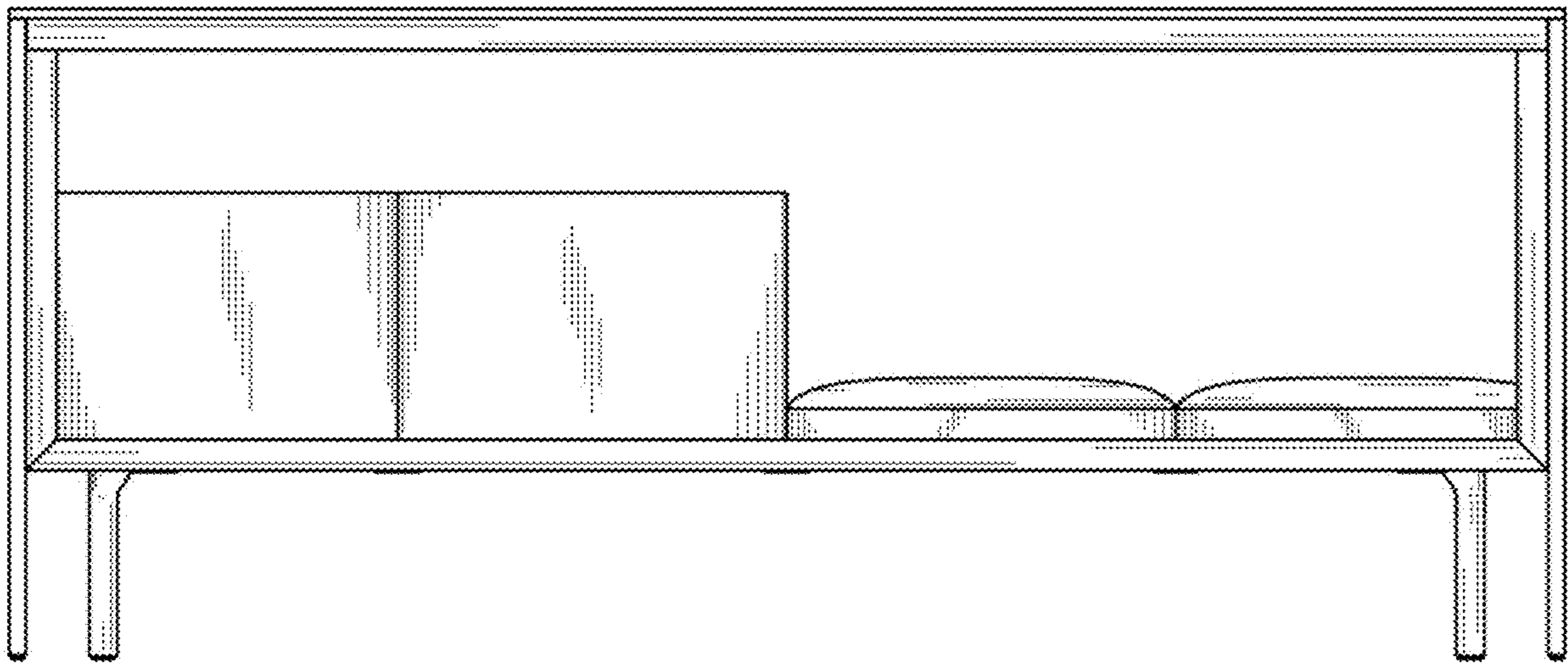
1.3



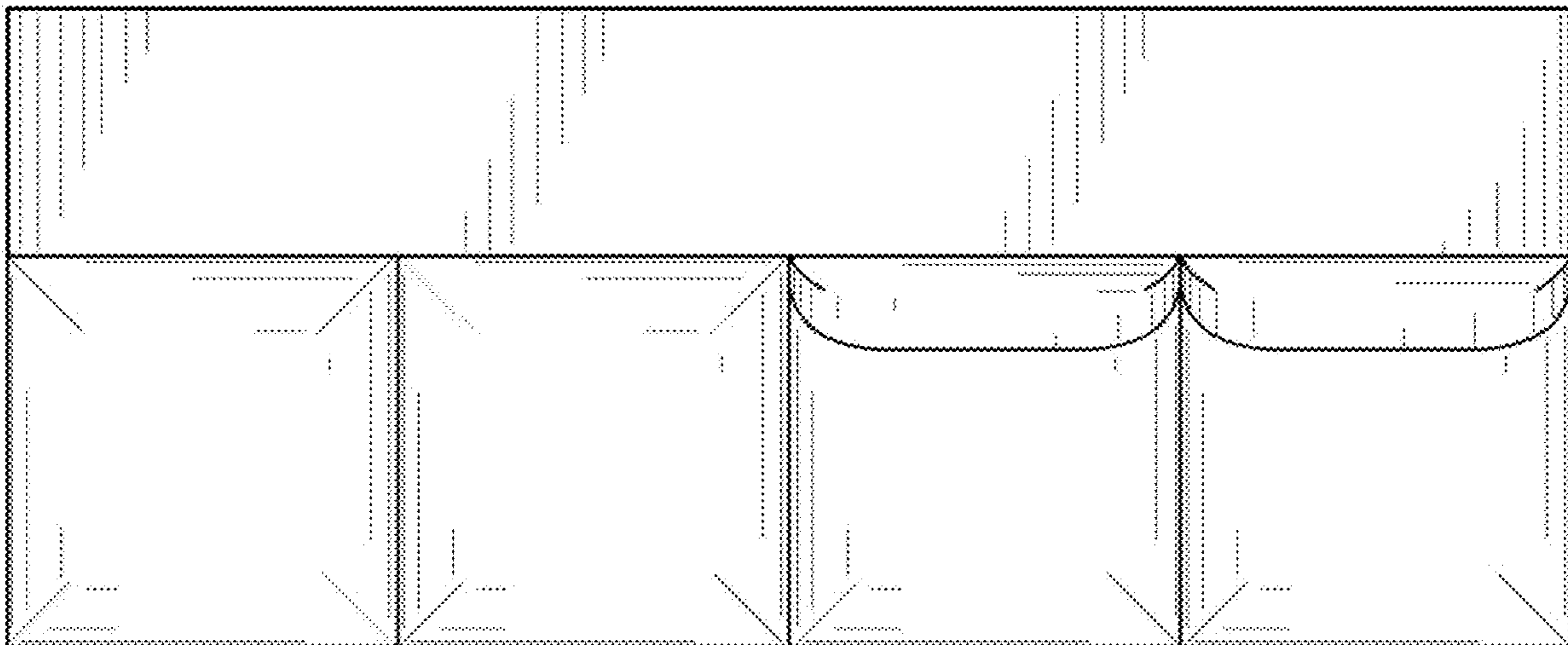
1.4



1.5



1.6





1.7

