



US00D871086S

(12) **United States Design Patent**
Theesfeld

(10) **Patent No.:** **US D871,086 S**

(45) **Date of Patent:** **** *Dec. 31, 2019**

(54) **HINGED PANEL PORTABLE WALL**

(71) Applicant: **PS Furniture, Inc**, Milwaukee, WI
(US)

(72) Inventor: **Jeffery T Theesfeld**, East Greenville,
PA (US)

(73) Assignee: **PS Furniture, Inc.**, Lexington, KY
(US)

(*) Notice: This patent is subject to a terminal disclaimer.

(**) Term: **15 Years**

(21) Appl. No.: **29/604,138**

(22) Filed: **May 15, 2017**

(51) **LOC (12) Cl.** **06-06**

(52) **U.S. Cl.**
USPC **D6/332**

(58) **Field of Classification Search**
USPC D6/332, 383, 406.1, 406.2, 642, 643.1,
D6/644, 672, 673, 713, 714; 160/351
CPC A47B 2200/01; A47B 2200/12; A47B
2200/0071; A47B 2220/0058; A47B
2220/13; A47B 83/001; E04F 10/04;
E04H 1/125; E04B 2/7416; E04B 2/7422;
E04B 2/7427; E04B 2/7433; A47G 5/00
See application file for complete search history.

(56) **References Cited**

U.S. PATENT DOCUMENTS

D450,465 S * 11/2001 Overthun D6/332
D457,737 S * 5/2002 Citterio D6/332
D458,040 S * 6/2002 Stannis D6/332
6,622,771 B2 * 9/2003 Plockmeyer A47G 5/00
114/39.21
D491,734 S * 6/2004 Quintal D6/332
6,896,028 B2 * 5/2005 Brennan A47B 97/00
160/351

D537,258 S * 2/2007 Hosoe D6/332
7,438,299 B2 * 10/2008 Vera A45C 5/14
150/166
D647,723 S * 11/2011 Ruggiero D6/643
D670,922 S * 11/2012 Goranson D6/332
D729,548 S * 5/2015 Denby D6/672
2002/0043352 A1 * 4/2002 Stannis A47G 5/00
160/371

OTHER PUBLICATIONS

WALS and WALS-X—PS Furniture—Designed for flexible spaces
(on-line), no date available. Retrieved from Internet Dec. 17, 2018,
URL: <http://www.psfurniture.com/product/wals/> (1 page).*

* cited by examiner

Primary Examiner — Kevin K Rudzinski

Assistant Examiner — Kimberly Barnes

(74) *Attorney, Agent, or Firm* — Bradley Arant Boulton
Cummings; Phillip E. Walker

(57) **CLAIM**

What is claimed is the ornamental design for a hinged panel
portable wall, as shown and described.

DESCRIPTION

FIG. 1 is a side elevation view of a hinged panel portable
wall with the hinged portion in a first position of use.

FIG. 2 is a top view of the hinged panel portable wall shown
in FIG. 1.

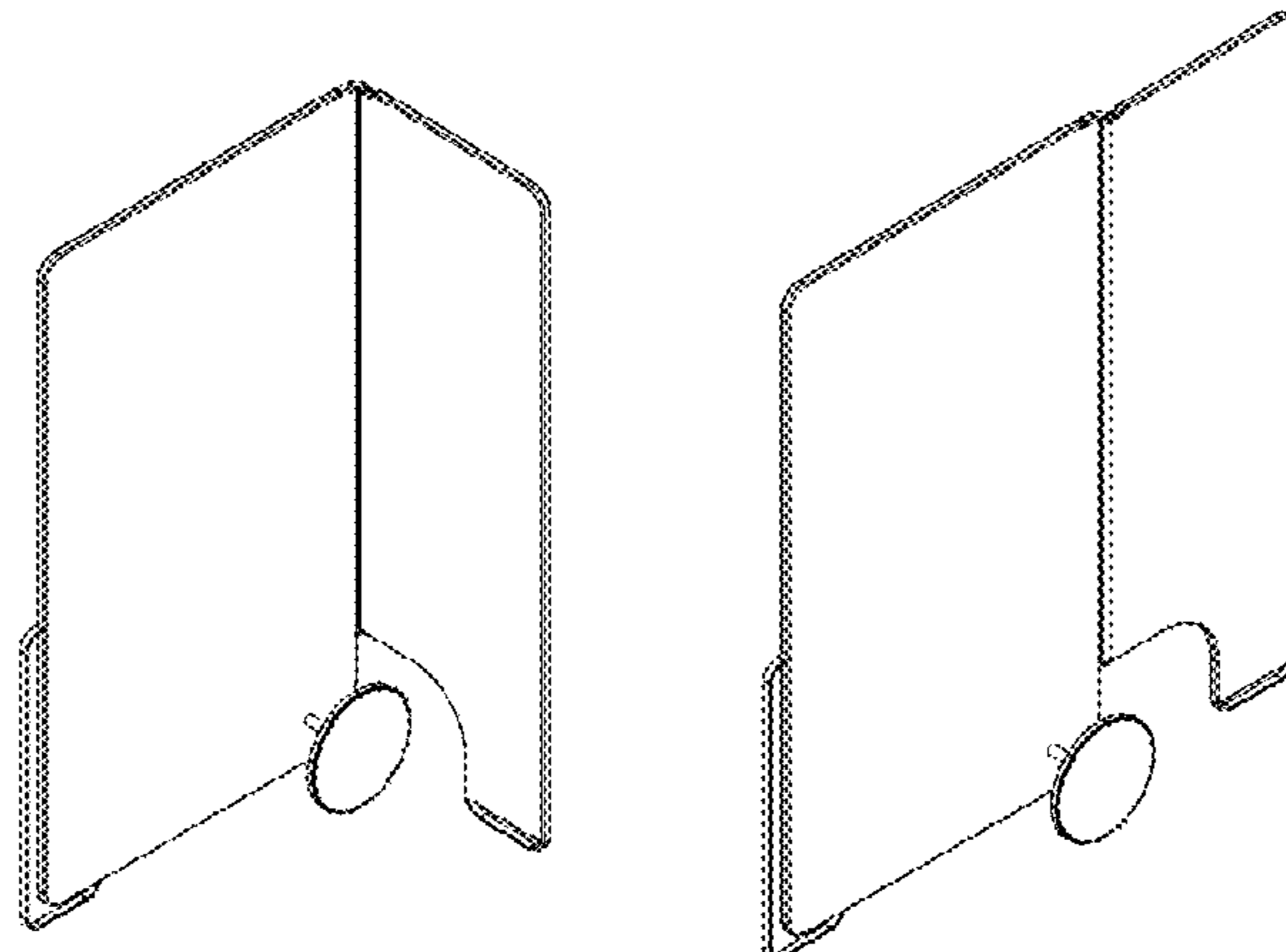
FIG. 3 is a back elevation view of the hinged panel portable
wall shown in FIGS. 1-2.

FIG. 4 is a perspective view of the hinged panel portable
wall shown in FIGS. 1-3.

FIG. 5 is a perspective view of the hinged panel portable
wall shown in FIGS. 1-4 with the hinged portion in a second
position; and,

FIG. 6 is a perspective view of the hinged panel portable
wall shown in FIGS. 1-5 with the hinged portion in a third
position.

1 Claim, 5 Drawing Sheets



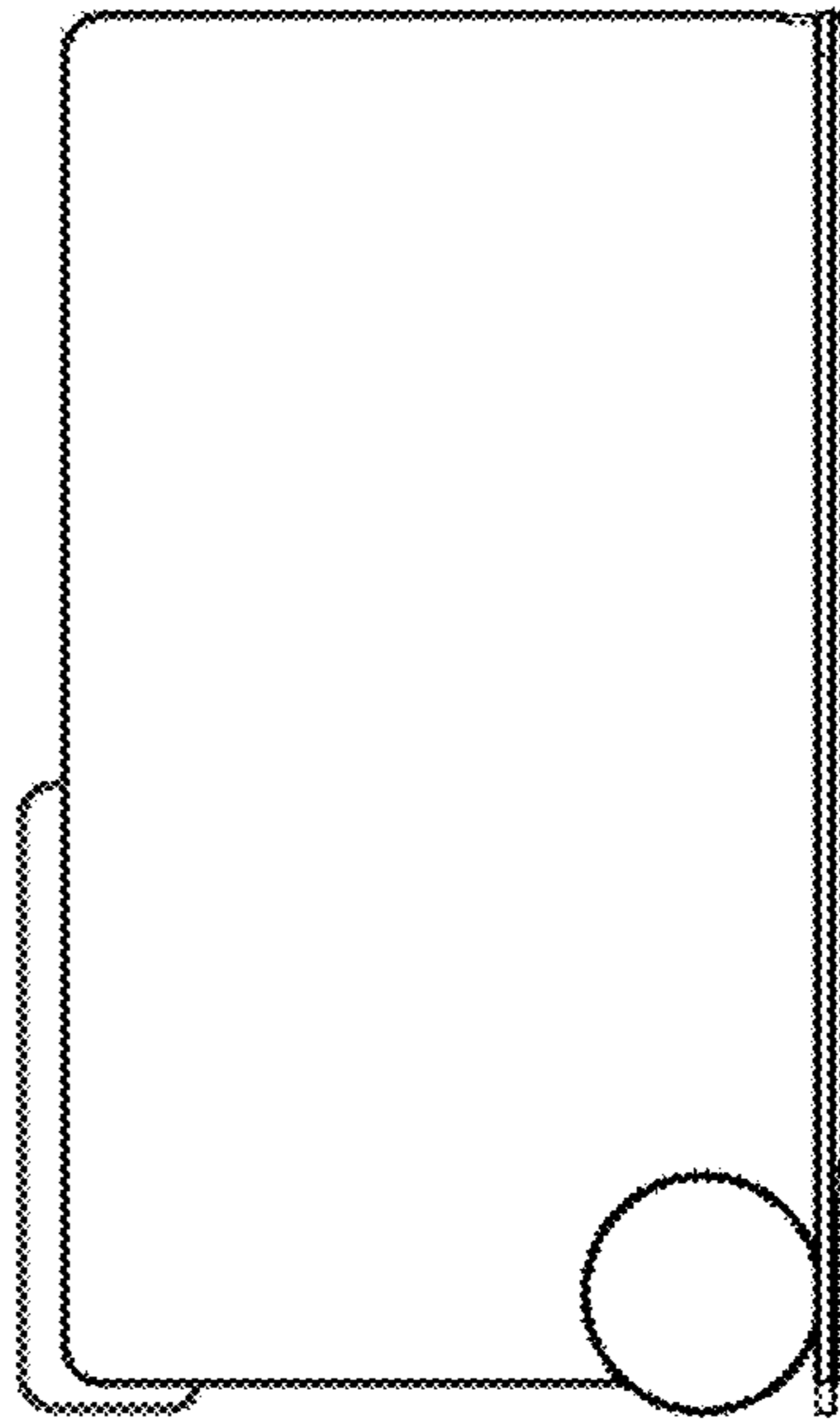


FIG. 1

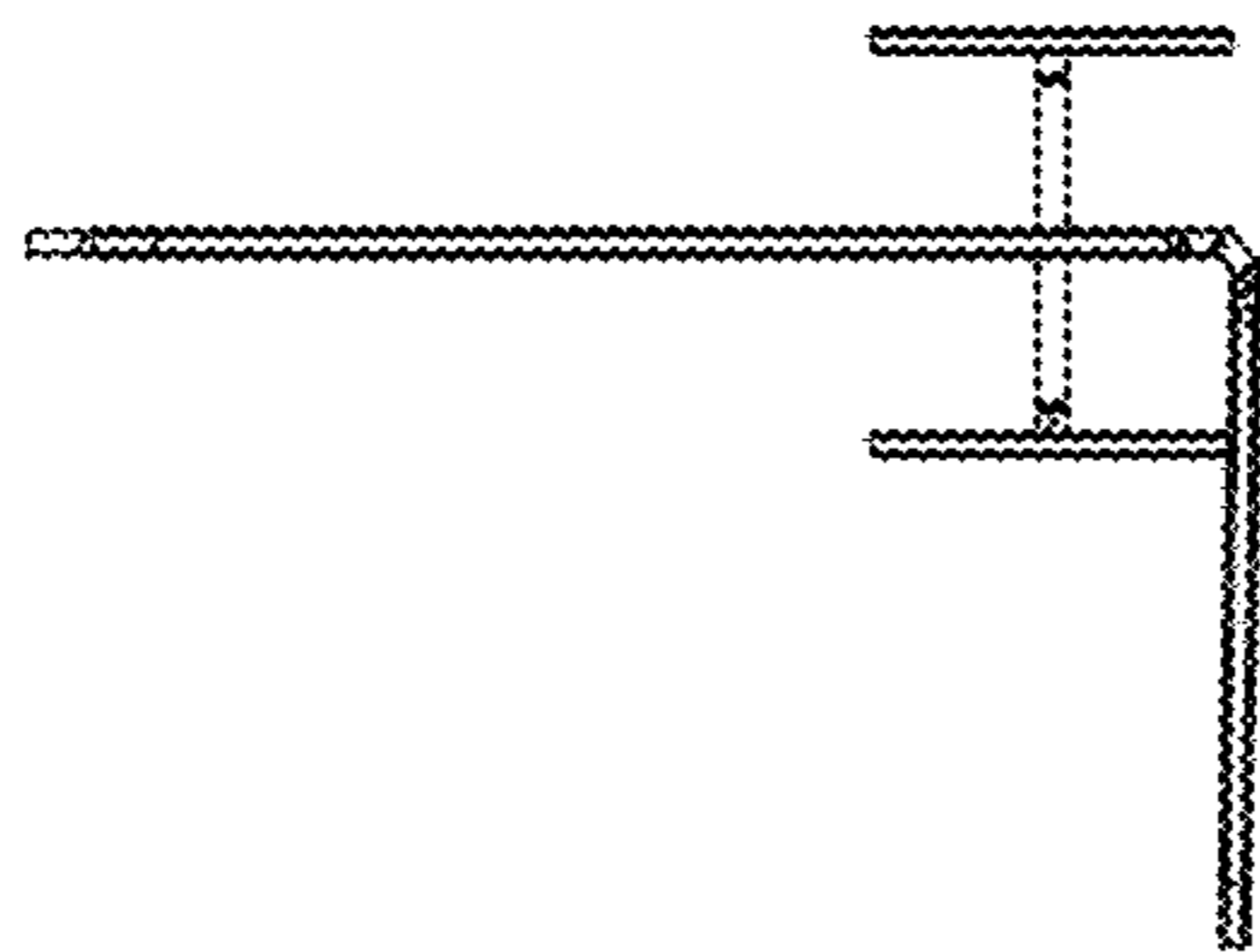


FIG. 2

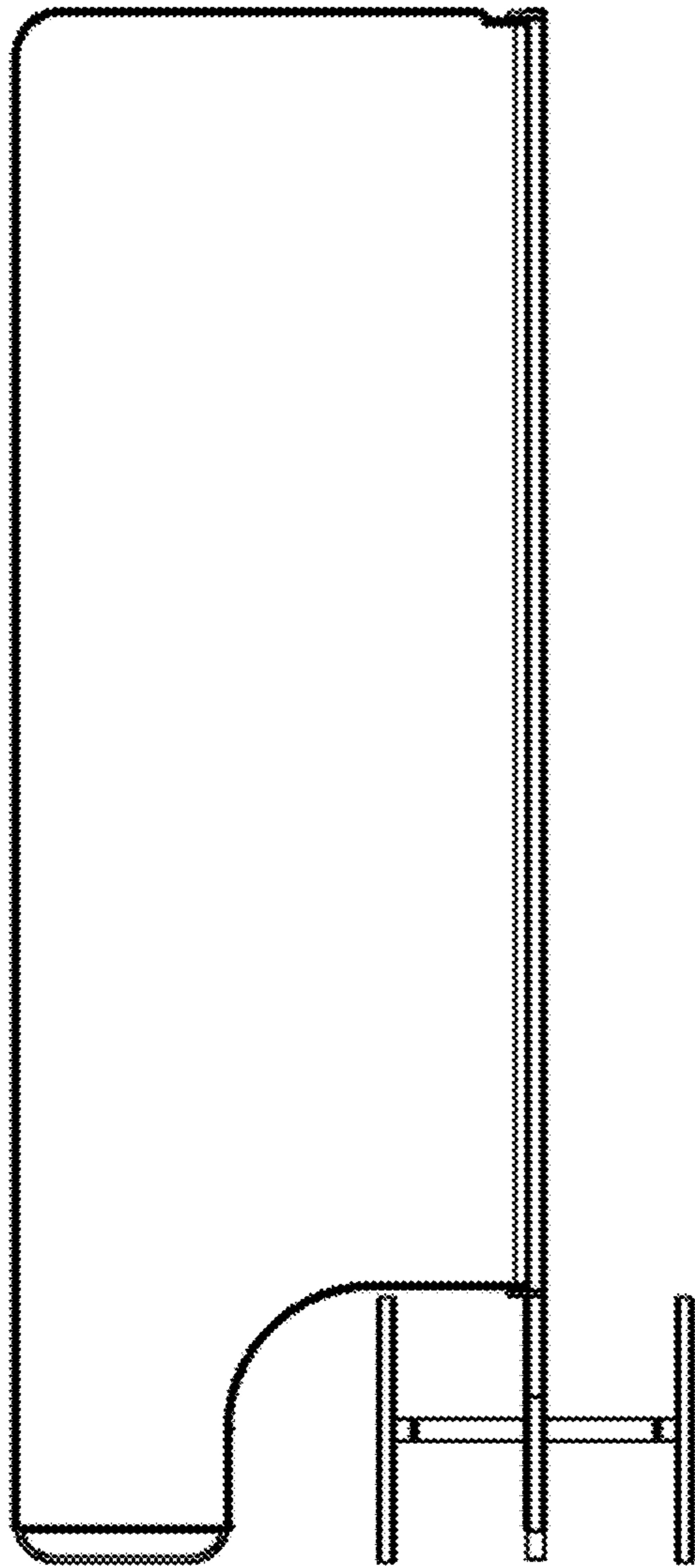


FIG. 3

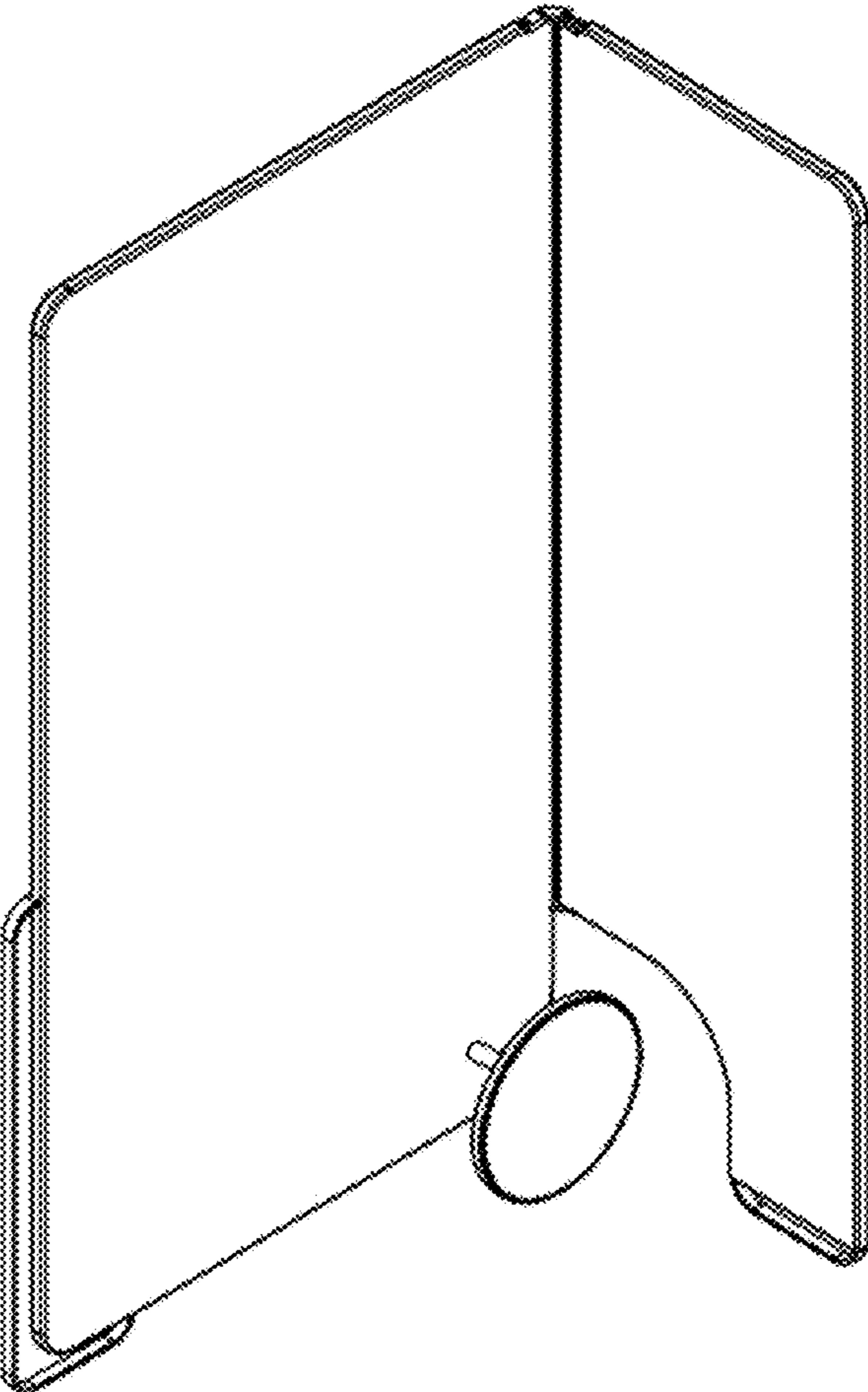


FIG. 4

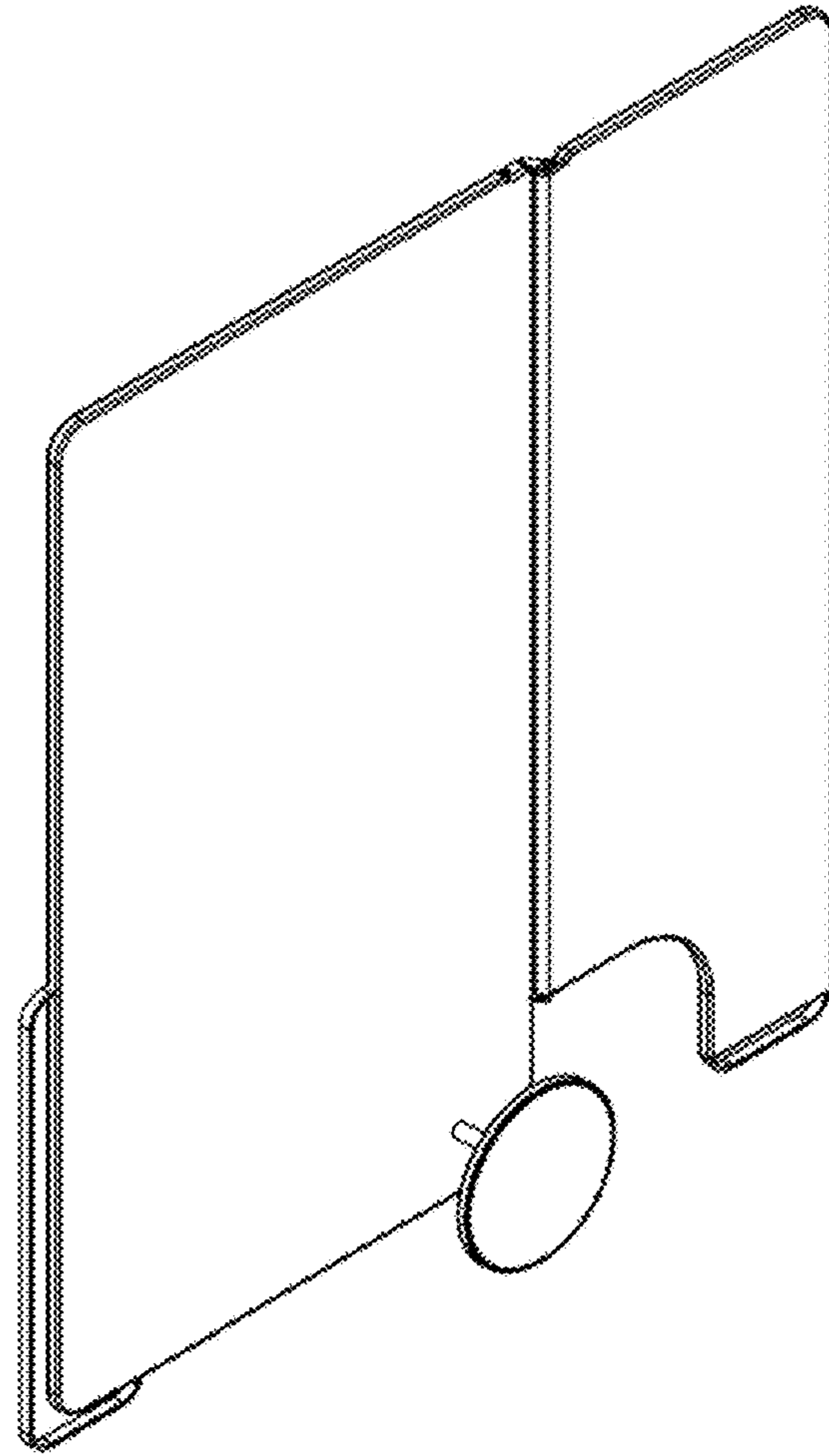


FIG. 5

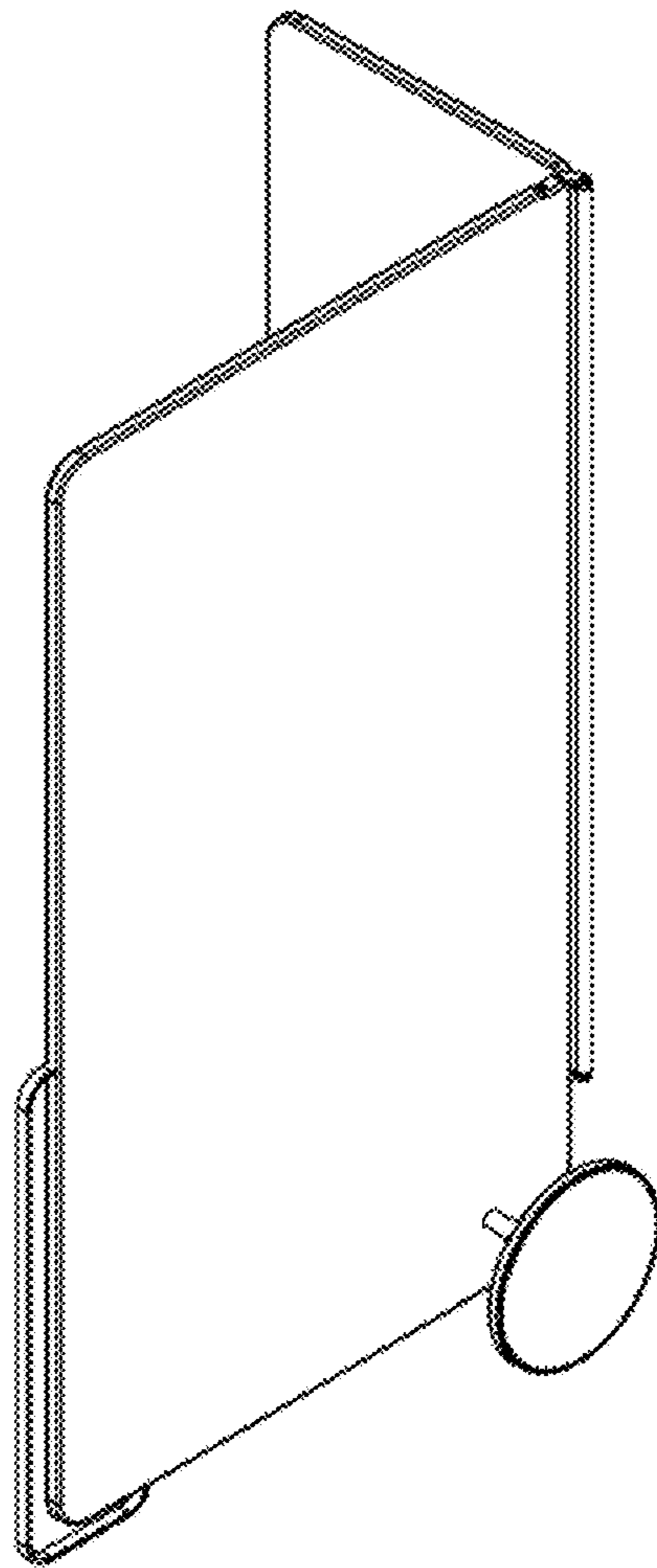


FIG. 6