



US00D871078S

(12) **United States Design Patent**
Winter

(10) **Patent No.:** **US D871,078 S**

(45) **Date of Patent:** **** Dec. 31, 2019**

(54) **ADJUSTABLE POSITION PAINT ROLLER**

(71) Applicant: **William John Winter**, Milford, CT
(US)

(72) Inventor: **William John Winter**, Milford, CT
(US)

(**) Term: **15 Years**

(21) Appl. No.: **29/652,001**

(22) Filed: **Aug. 28, 2019**

Related U.S. Application Data

(63) Continuation-in-part of application No. 29/651,811,
filed on Mar. 22, 2019.

(51) **LOC (12) Cl.** **14-01**

(52) **U.S. Cl.**
USPC **D4/122**

(58) **Field of Classification Search**
USPC D4/122, 199; D6/317, 566; D8/370,
D8/373, 107, 303; 15/27, 230.11;
211/106, 106.01; 248/302; 492/13, 16,
492/17, 19; 16/422, 430, 431, 902,
16/DIG. 12, DIG. 18, DIG. 19
CPC B05C 1/00; B05C 1/02; B05C 17/0205;
B44D 2/00
See application file for complete search history.

(56) **References Cited**

U.S. PATENT DOCUMENTS

4,332,067	A	6/1982	Pearce	
4,644,604	A	2/1987	Kierce	
4,985,958	A	1/1991	Garcia	
D336,371	S *	6/1993	Harris D4/122
D338,107	S	8/1993	Janssen	
5,249,330	A	10/1993	Janssen	
5,795,279	A	8/1998	Shieh	

D398,106	S	9/1998	Diehl	
D405,958	S *	2/1999	Mollack D4/122
6,000,090	A	12/1999	Sutherland	
6,012,196	A	1/2000	Weiss	
6,117,494	A	9/2000	Wakat	
6,347,426	B1	2/2002	Weiss	
6,408,479	B1	6/2002	Pinney	
D465,090	S	11/2002	Robinson	
6,871,376	B1	3/2005	D'Ambrosio	
D521,245	S	5/2006	Inch	
7,096,530	B2	8/2006	Goulet	
7,305,732	B2	12/2007	Karroll	
D578,769	S *	10/2008	Patterson D4/122
8,132,978	B2 *	3/2012	Franklin B05C 17/022 16/324

(Continued)

Primary Examiner — Austin Murphy

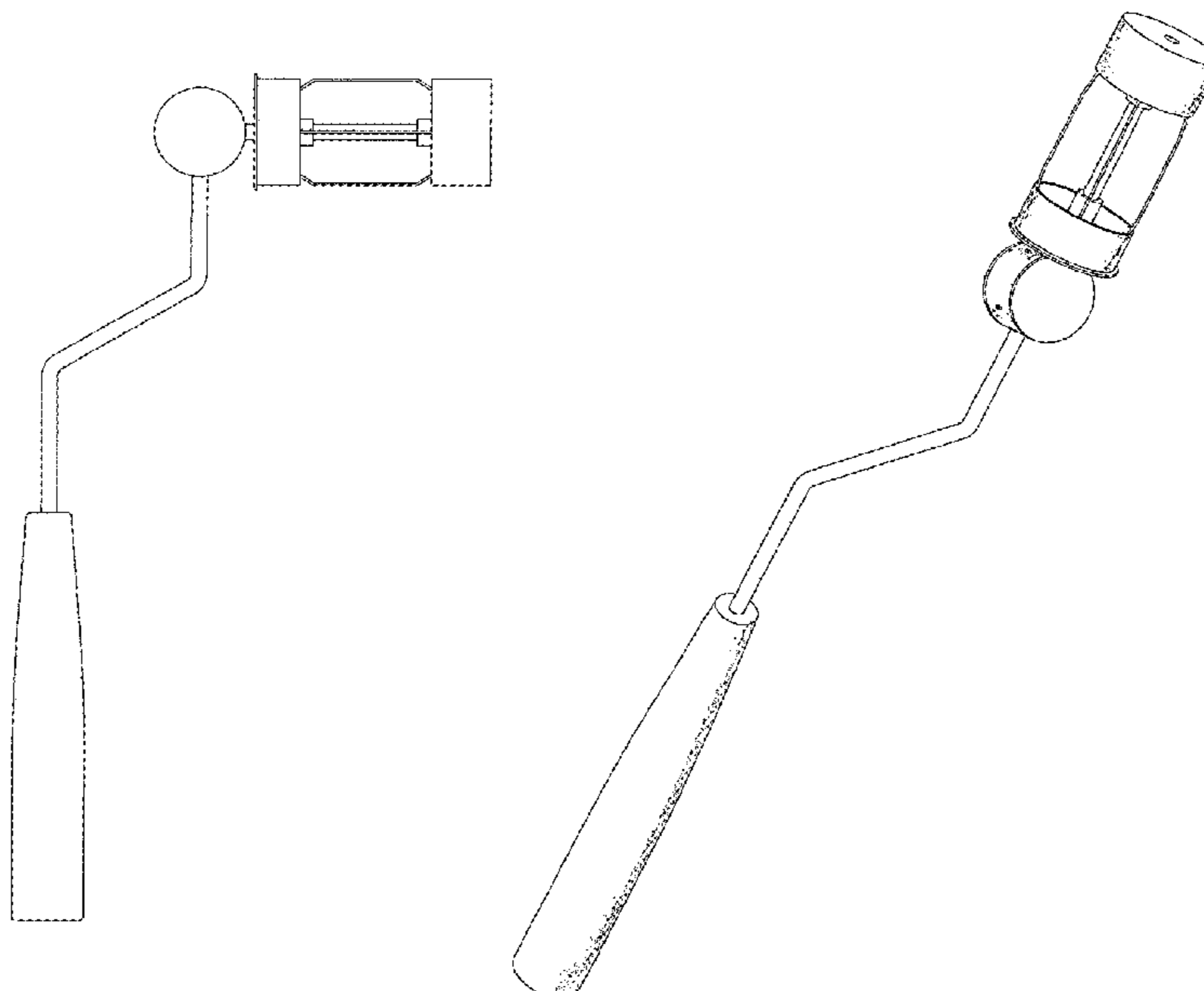
(57) **CLAIM**

I claim the ornamental design for an adjustable position
paint roller, as shown and described.

DESCRIPTION

FIG. 1—is a front perspective view of this invention showing my new design.
 FIG. 2—is the right perspective view thereof.
 FIG. 3—is the left perspective view thereof.
 FIG. 4—is the rear perspective view thereof.
 FIG. 5—is the top perspective view thereof.
 FIG. 6—is the bottom perspective view thereof.
 FIG. 7—is the isometric view thereof.
 FIG. 8—is the front perspective view thereof, shown in an alternate position.
 FIG. 9—is the right perspective view thereof.
 FIG. 10—is the left perspective view thereof.
 FIG. 11—is the rear perspective view thereof.
 FIG. 12—is the top perspective view thereof.
 FIG. 13—is the bottom perspective view thereof; and,
 FIG. 14—is the isometric view thereof.

1 Claim, 14 Drawing Sheets



(56)

References Cited

U.S. PATENT DOCUMENTS

8,225,448	B2 *	7/2012	Vasilakes	A47L 25/005
				15/104.002
D677,903	S	3/2013	Boukair	
8,572,796	B2 *	11/2013	Major	A46B 5/0095
				15/144.1
D695,018	S *	12/2013	Gallardo	D4/122
8,819,886	B1	9/2014	Boukair	
D728,945	S *	5/2015	Neal	D4/122
D750,381	S *	3/2016	Parker	D4/122
9,308,549	B1	4/2016	Kern	
9,333,528	B2	5/2016	Decarr	
D758,082	S	6/2016	Rockwell	
9,364,850	B1 *	6/2016	Anderson	B05C 17/0245
9,611,088	B2	4/2017	Carmen	
D796,211	S	9/2017	Getchell	
D800,455	S *	10/2017	Ferris	D4/122
9,999,897	B2 *	6/2018	Denissov	B05C 17/022
D844,269	S *	3/2019	Ferrise	D32/35
D845,000	S *	4/2019	Simpson	D4/122
D855,332	S *	8/2019	Huang	D4/122
10,369,591	B2 *	8/2019	Byrne	B05C 17/0212

* cited by examiner

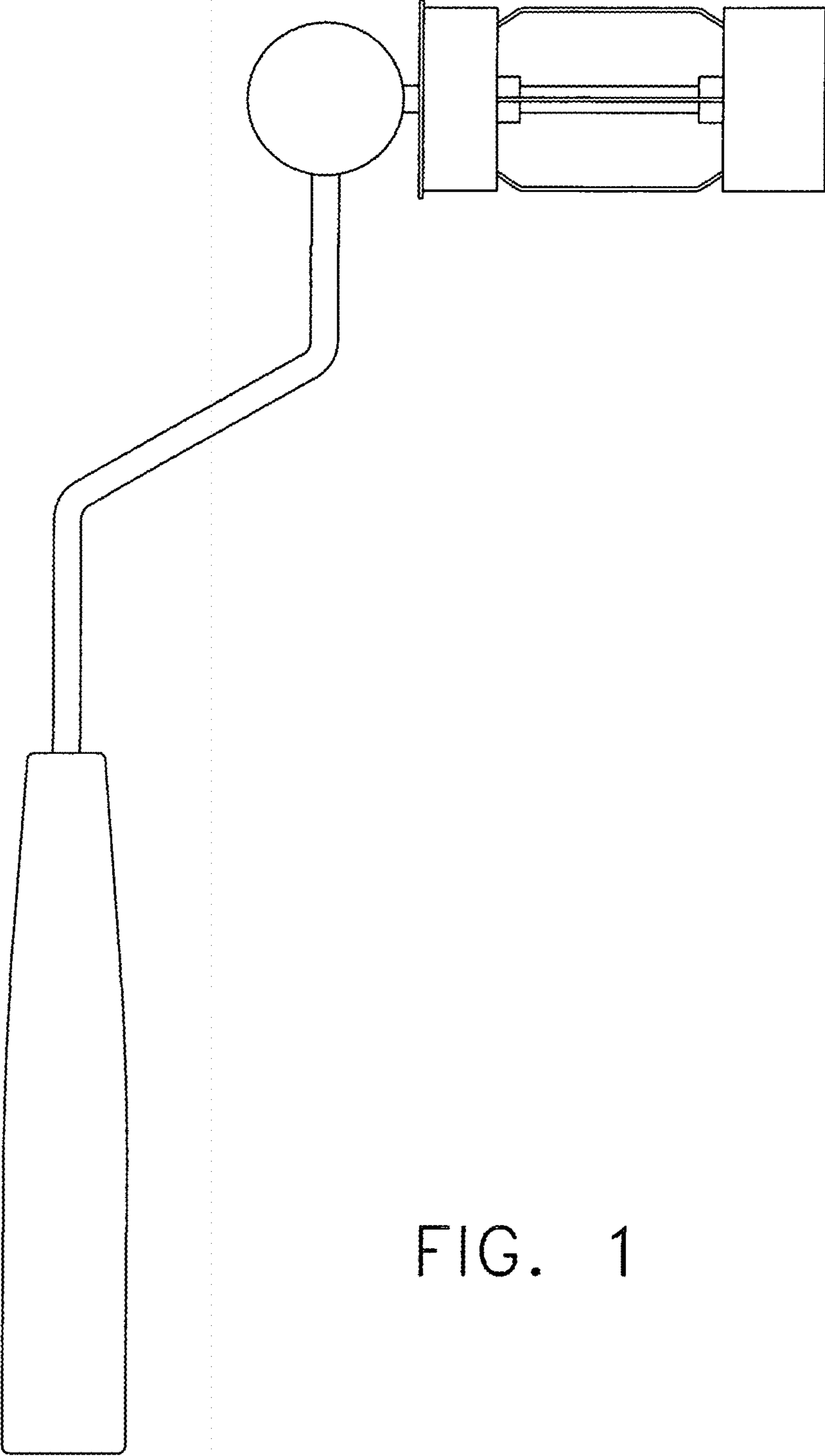


FIG. 1

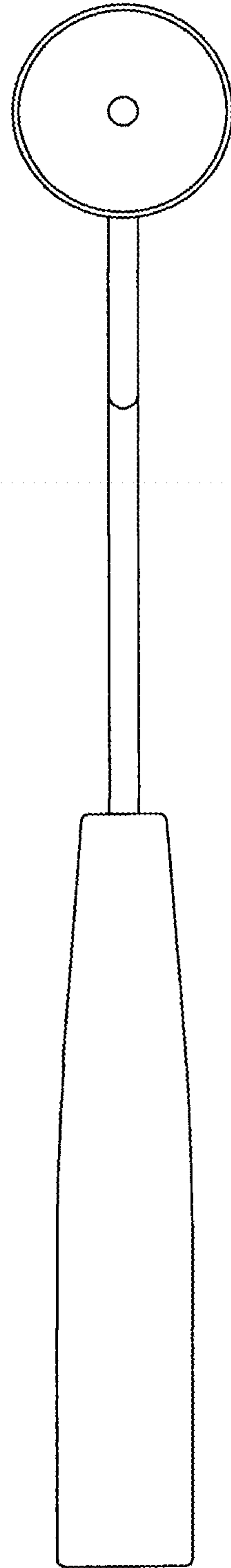


FIG. 2

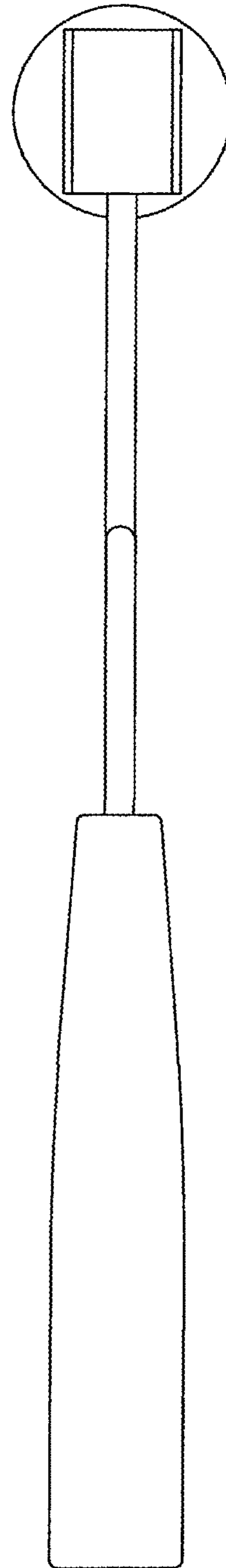


FIG. 3

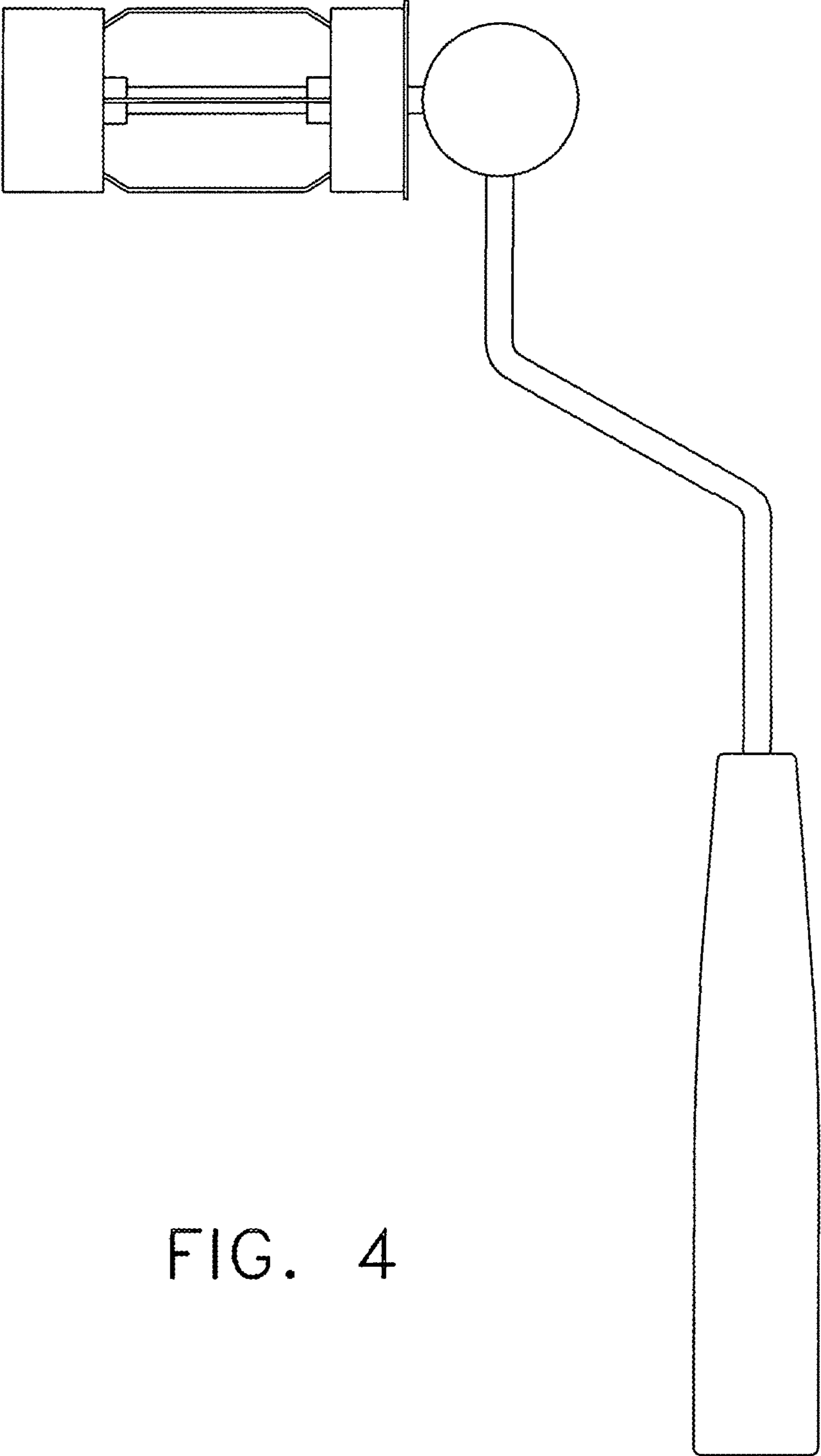


FIG. 4

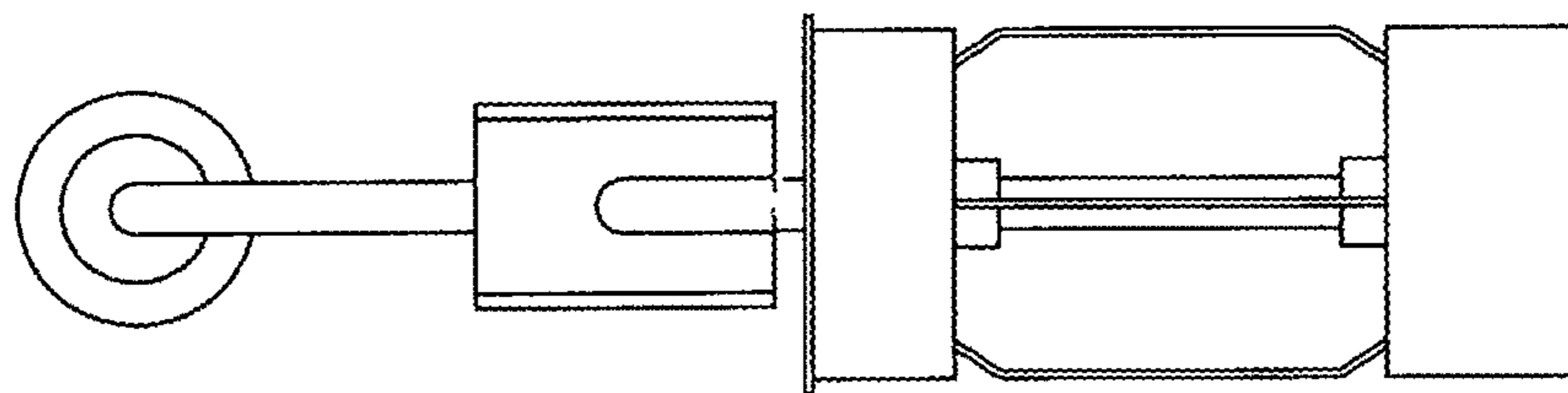


FIG. 5

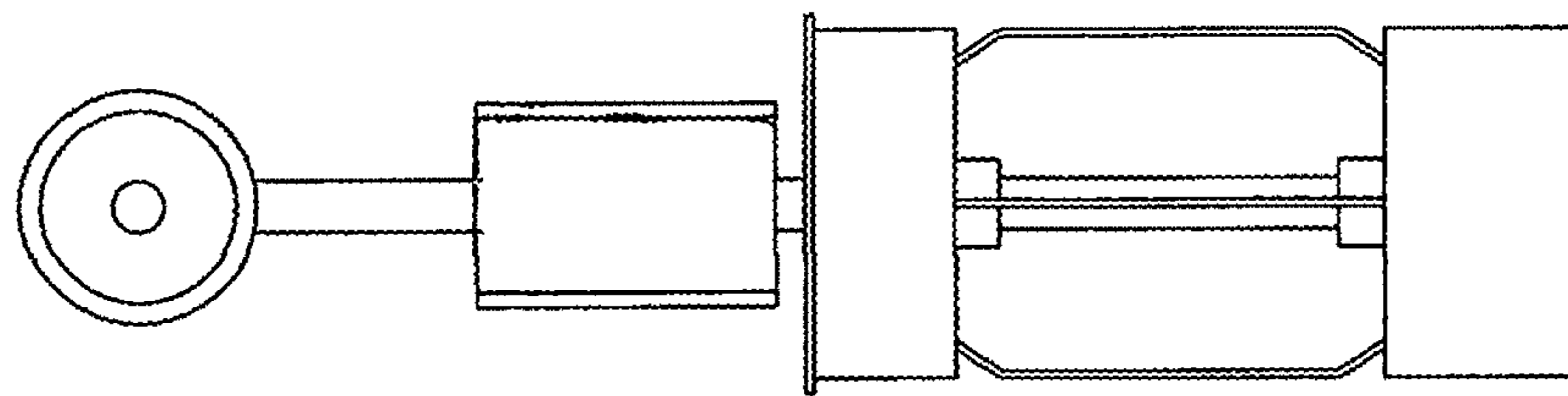


FIG. 6

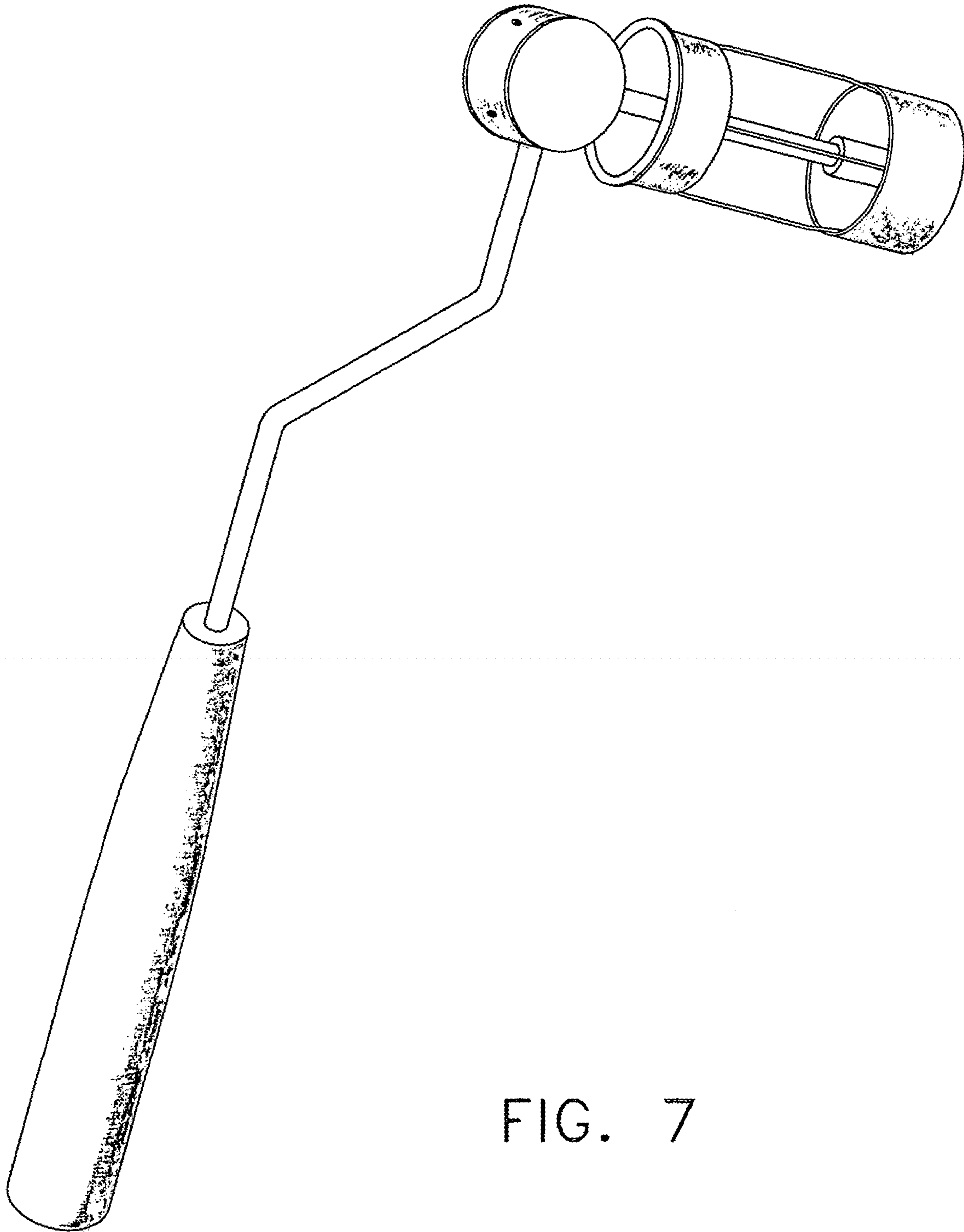


FIG. 7

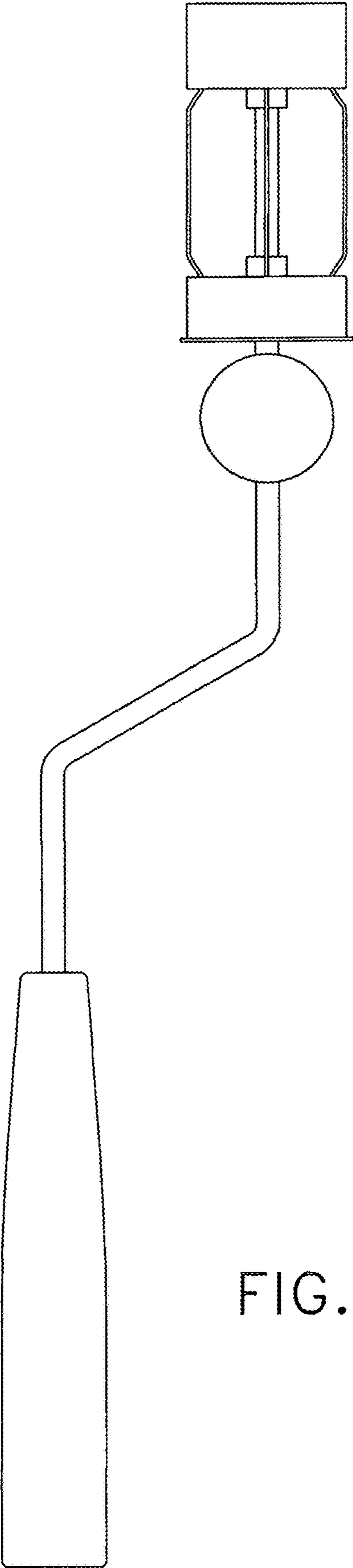


FIG. 8

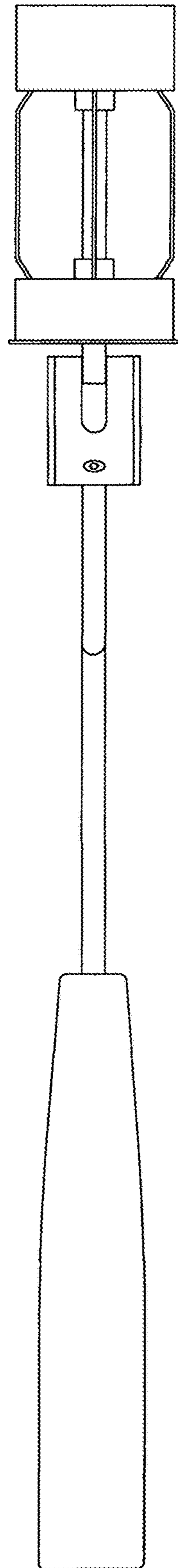


FIG. 9

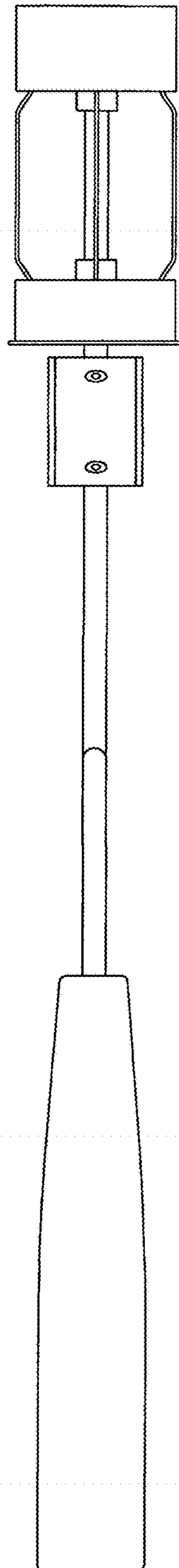


FIG. 10

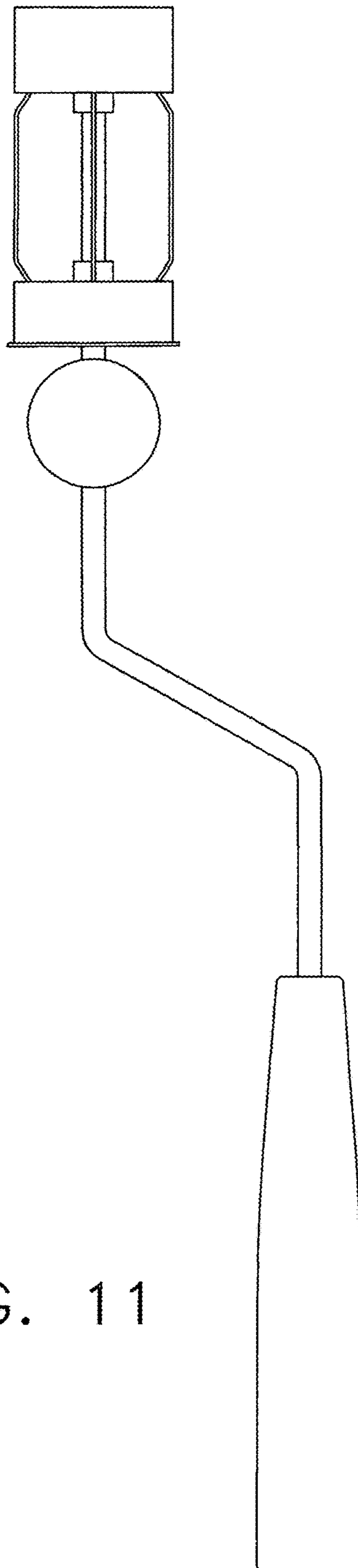


FIG. 11

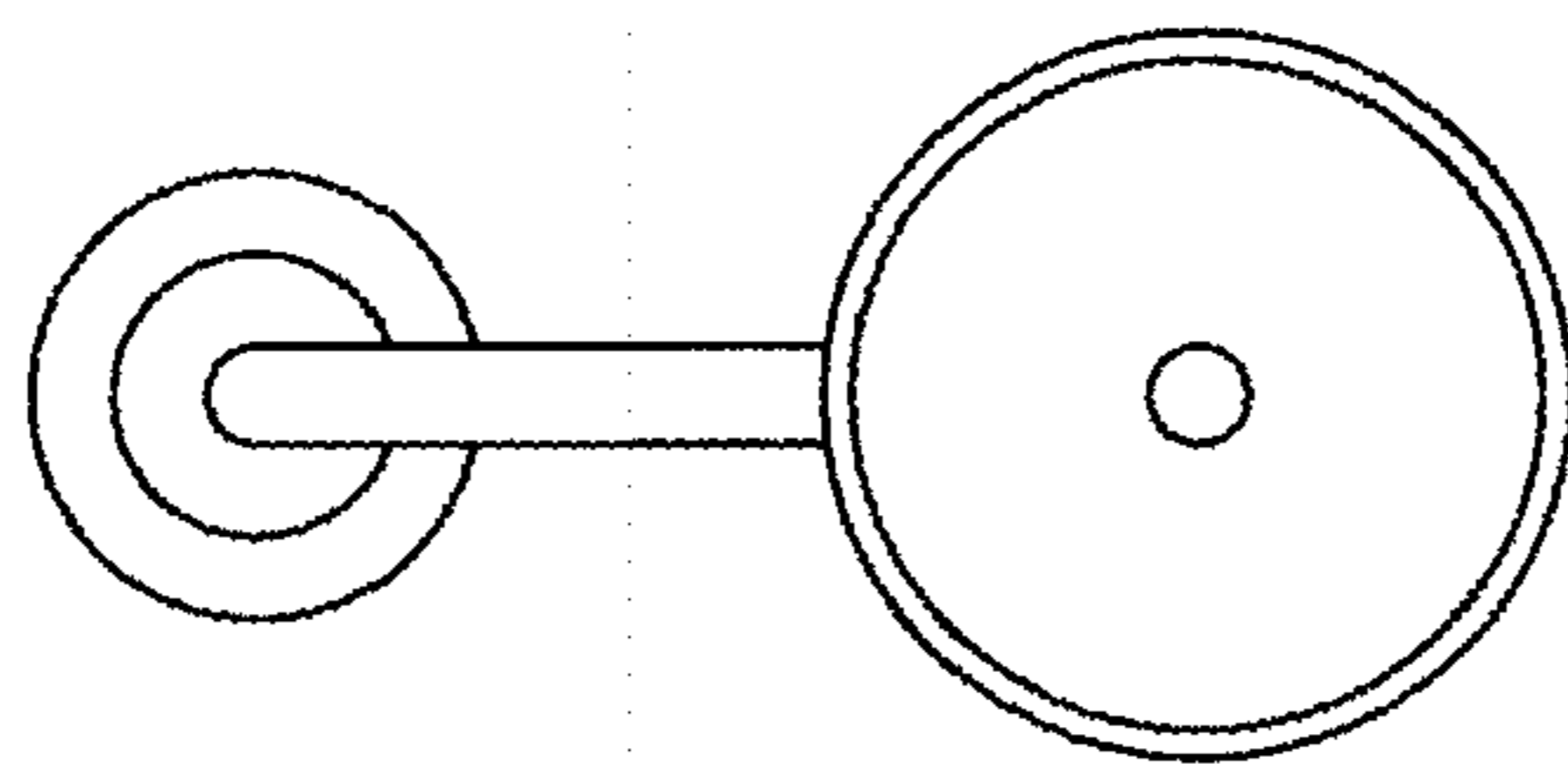


FIG. 12

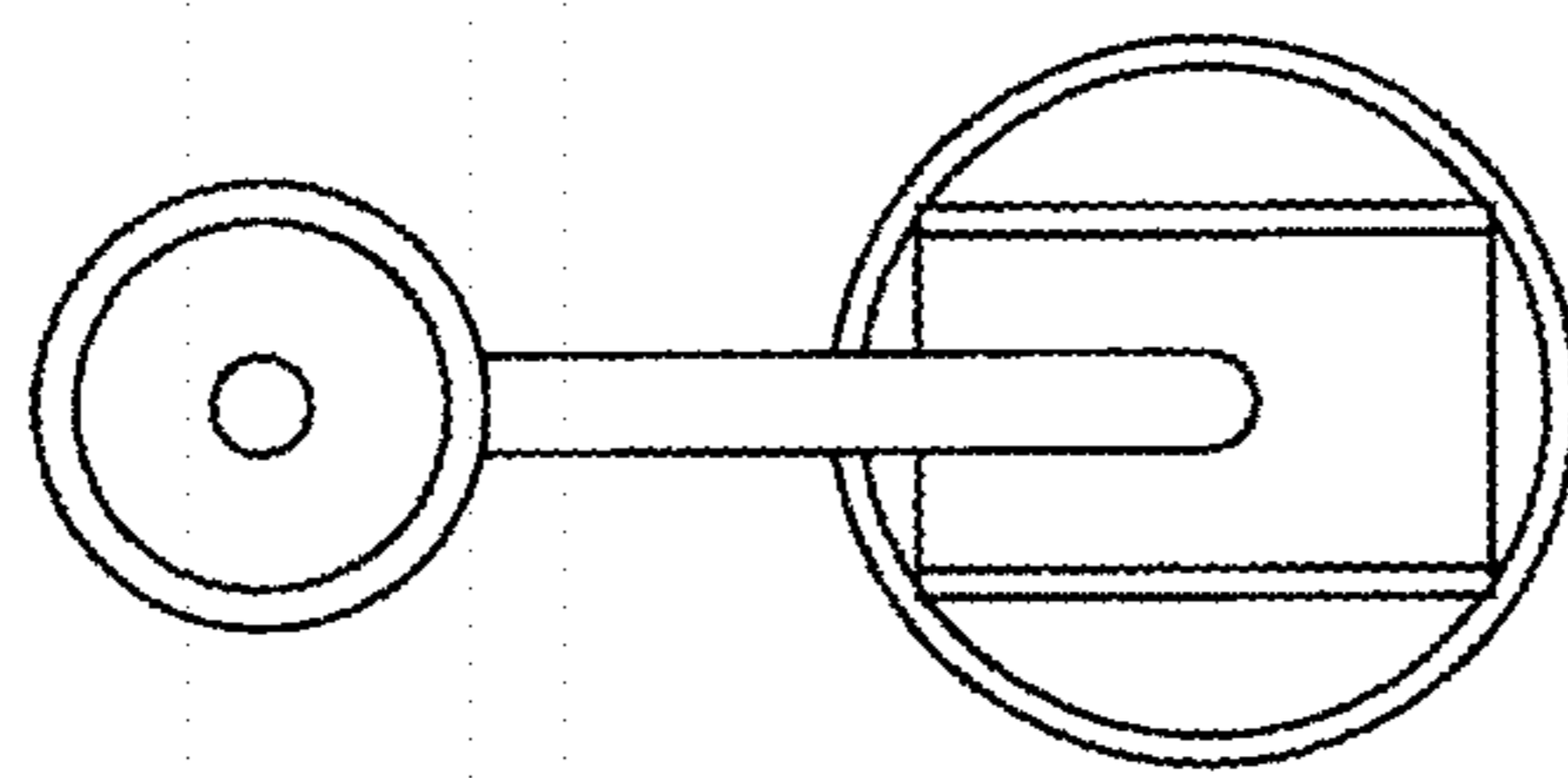


FIG. 13

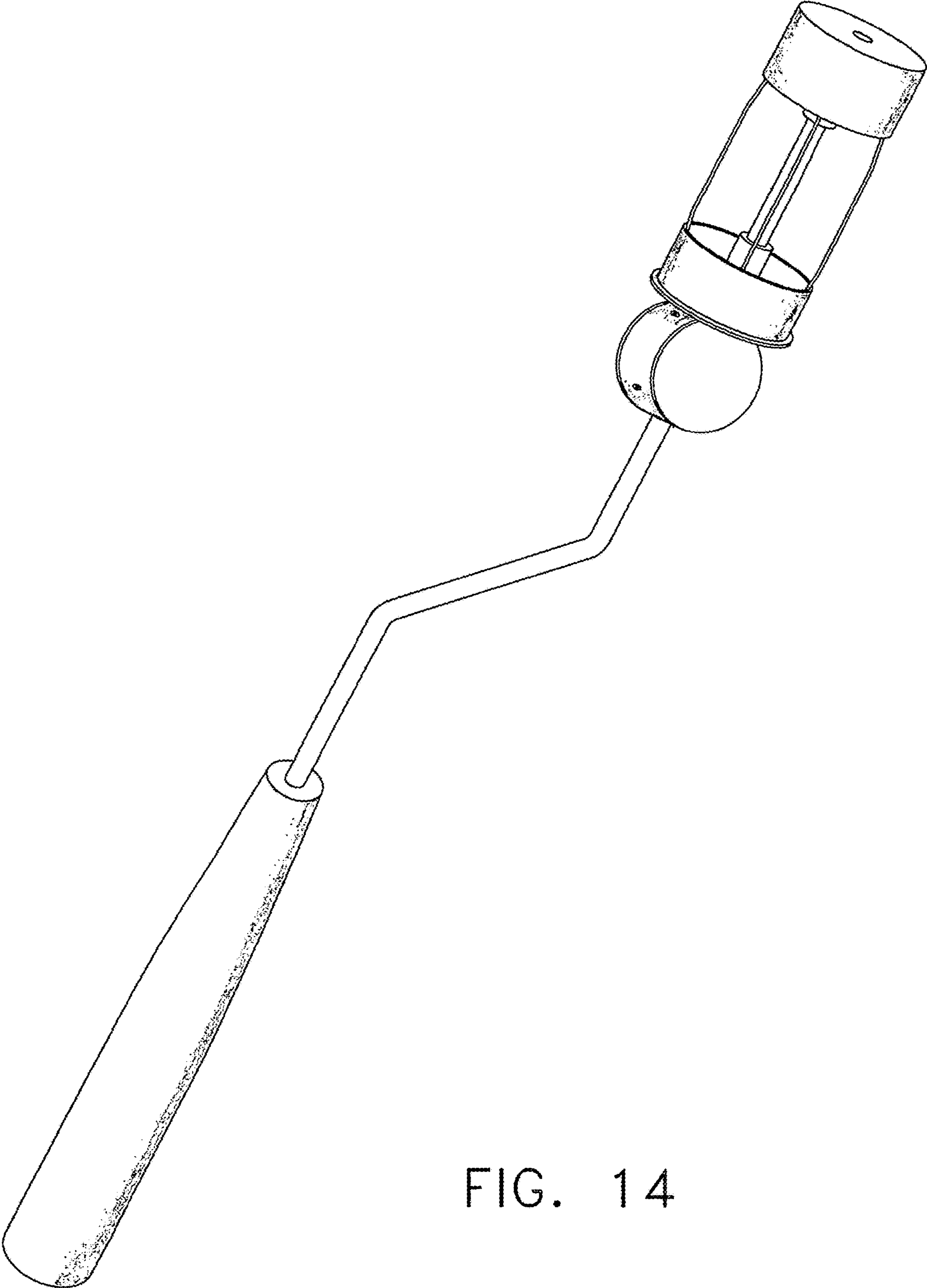


FIG. 14