



US00D871077S

(12) **United States Design Patent** (10) **Patent No.:** **US D871,077 S**
Zemel et al. (45) **Date of Patent:** **** Dec. 31, 2019**

(54) **BRUSH** D685,193 S * 7/2013 Kaijun D4/199
D693,079 S * 11/2013 Nordvik D32/50
(71) Applicant: **Mr. Bar-B-Q Products LLC**, Melville, NY (US) D699,909 S * 2/2014 Vasilakes D32/50
D707,043 S * 6/2014 Ash D4/114
D707,044 S * 6/2014 Kaijun D4/199
(72) Inventors: **Marc Zemel**, Melville, NY (US); D721,892 S * 2/2015 Ash D4/114
Joanne Rudis, Melville, NY (US) 8,973,200 B2 * 3/2015 Mallett A46B 5/00
15/143.1
9,095,373 B2 * 8/2015 Guynn A45D 29/17
(73) Assignee: **MR. BAR-B-Q PRODUCTS LLC**, Melville, NY (US) D803,573 S * 11/2017 Suh D4/119
D838,994 S * 1/2019 Suh D4/119

(**) Term: **15 Years**

(21) Appl. No.: **29/659,922**

(22) Filed: **Aug. 14, 2018**

(51) **LOC (12) Cl.** **04-01**

(52) **U.S. Cl.**
USPC **D4/120**

(58) **Field of Classification Search**
USPC D4/120, 132, 119, 199, 114-116;
D32/50
CPC A46B 5/00; A45D 29/17; A47L 13/44;
A47L 13/12
See application file for complete search history.

(56) **References Cited**

U.S. PATENT DOCUMENTS

1,760,614 A * 5/1930 Weintraub A47L 13/44
15/115
D165,753 S * 1/1952 Herron D4/119
3,097,384 A * 7/1963 Clark A47L 13/12
15/111
D290,909 S * 7/1987 Clivio D4/115
D291,028 S * 7/1987 Clivio D4/115
D346,499 S * 5/1994 Berti D4/132
D502,323 S * 3/2005 Zemel D4/120
D509,661 S * 9/2005 Berti D4/199
D561,476 S * 2/2008 Vosbikian D4/132
D661,101 S * 6/2012 Du D4/116
8,209,806 B2 * 7/2012 Lyons A46B 5/00
15/1.7

OTHER PUBLICATIONS

<https://www.webstaurantstore.com/carlisle-4029400-48-double-head-broiler-grill-cleaning-brush/27140294.html>; retrieved Jan. 15, 2019.

* cited by examiner

Primary Examiner — Rhea Shields

(74) *Attorney, Agent, or Firm* — Carter, DeLuca & Farrell LLP

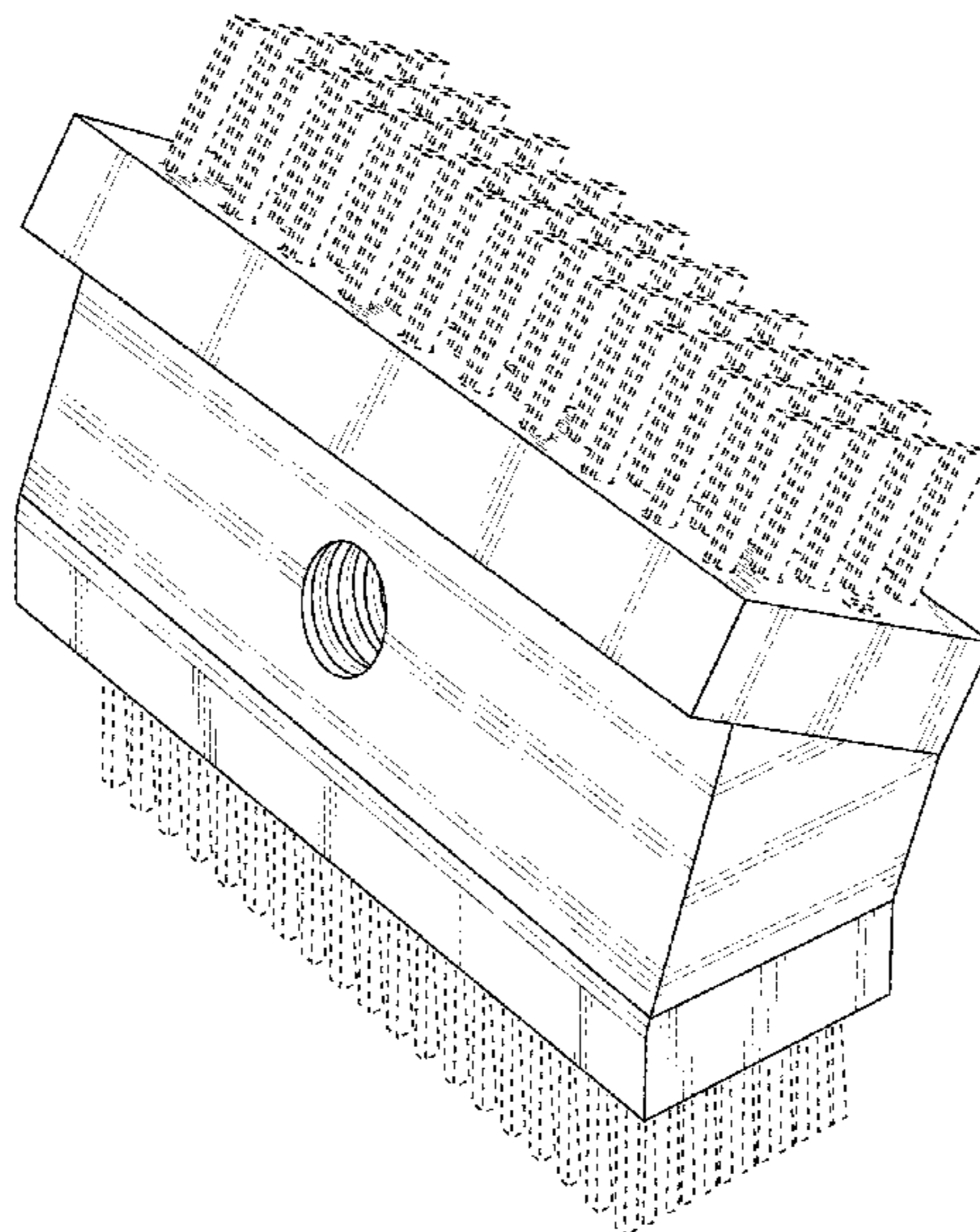
(57) **CLAIM**

The ornamental design for a brush, as shown and described.

DESCRIPTION

FIG. 1 is a perspective view of a brush in accordance with the present design;
FIG. 2 is a left side elevational view thereof;
FIG. 3 is a right side elevational view thereof;
FIG. 4 is a rear elevational view thereof;
FIG. 5 is a front elevational view thereof;
FIG. 6 is a top plan view thereof;
FIG. 7 is a bottom plan view thereof; and,
FIG. 8 is a perspective view of the brush of FIG. 1 illustrated in one example environment.
The broken lines shown in the drawings illustrate portions of the brush that form no part of the claimed design.

1 Claim, 6 Drawing Sheets



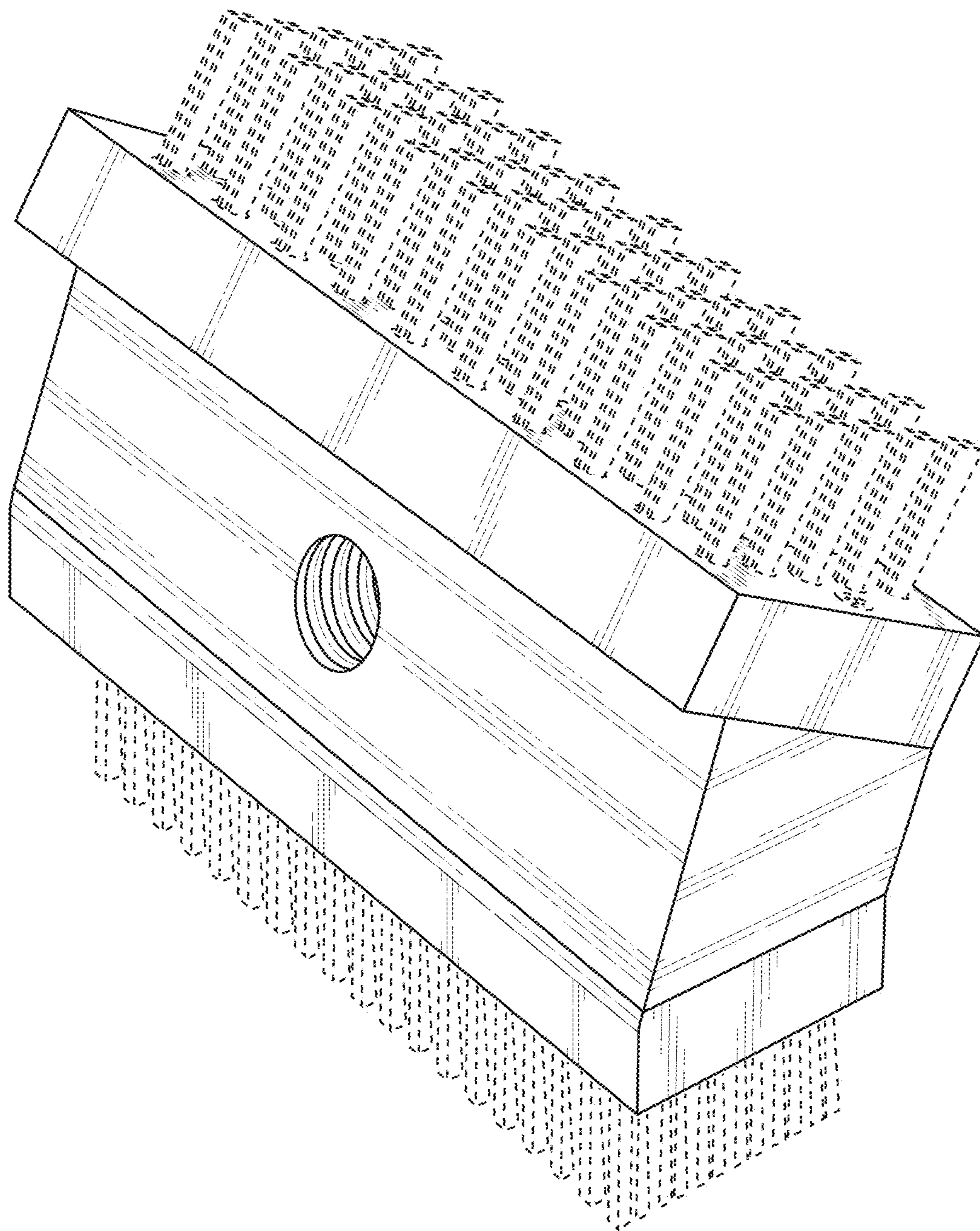


FIG. 1

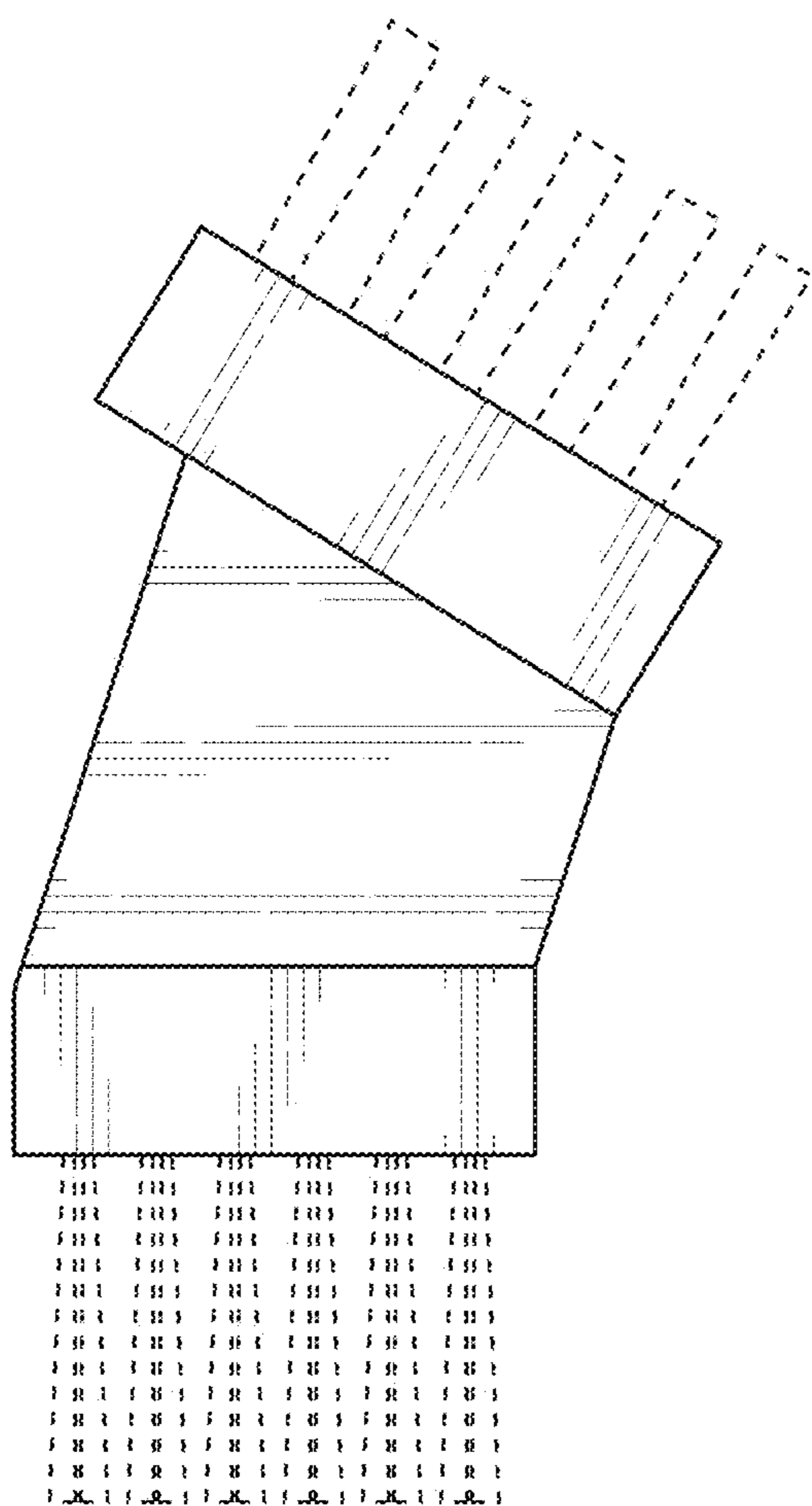


FIG. 2

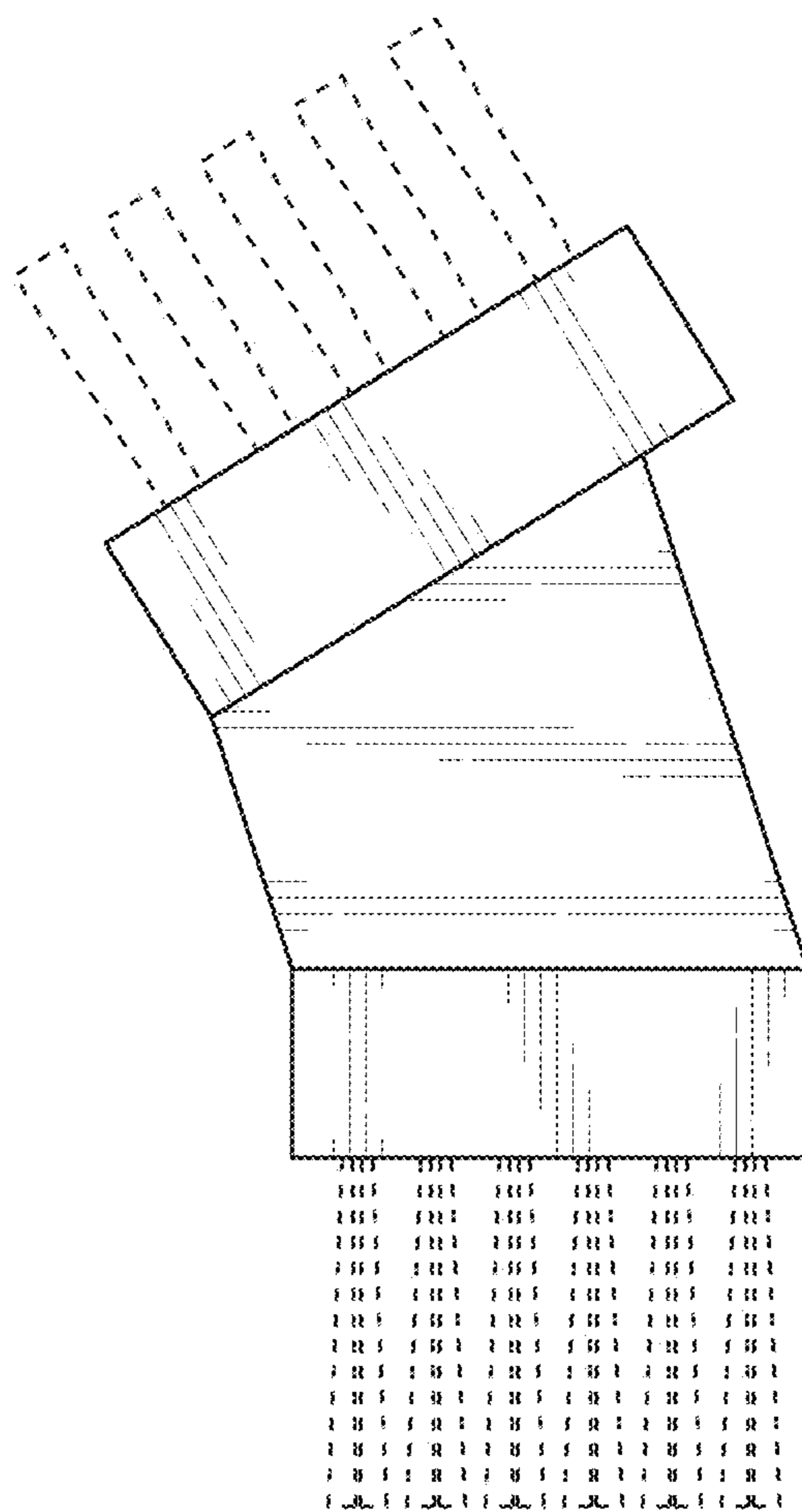


FIG. 3

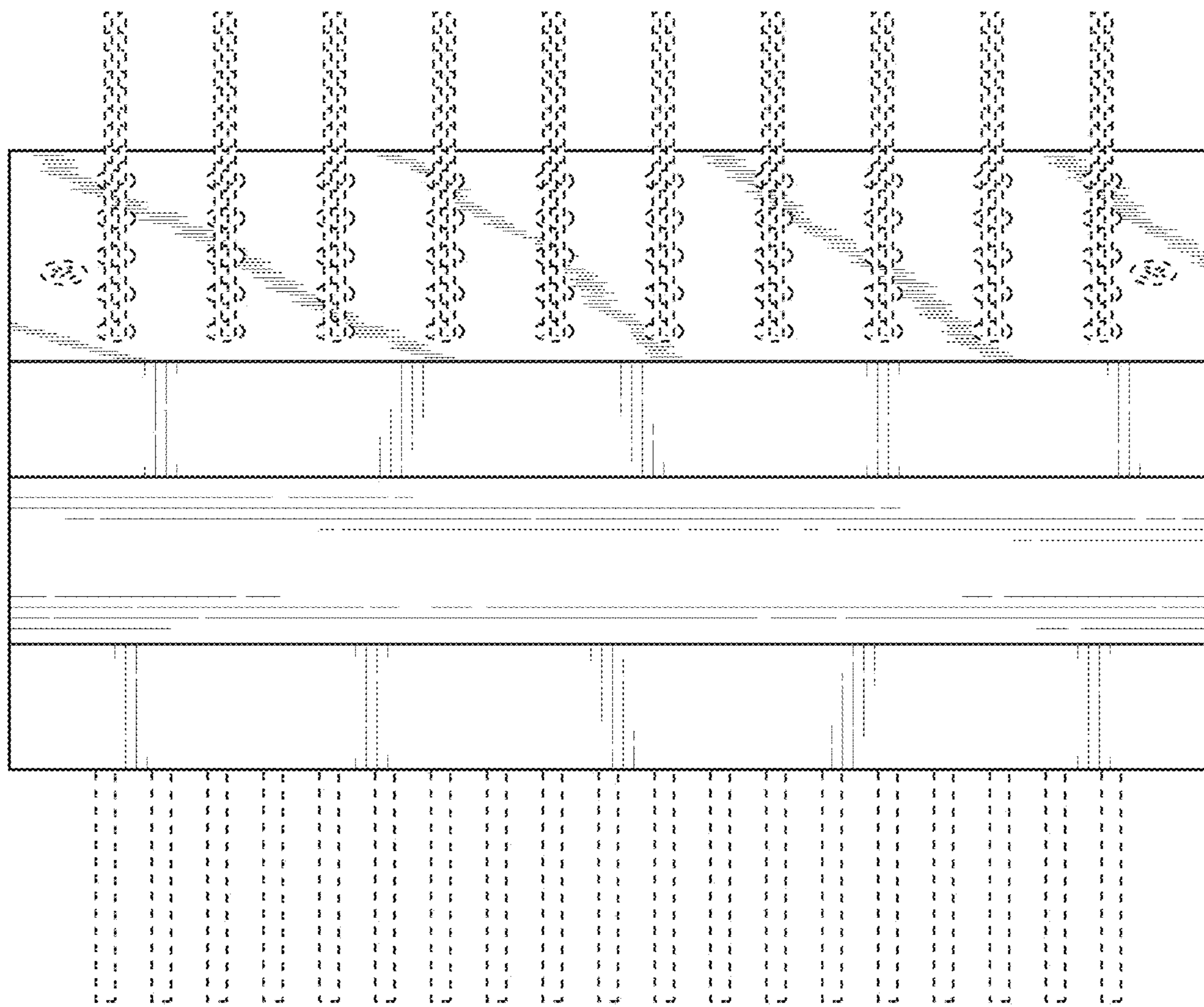


FIG. 4

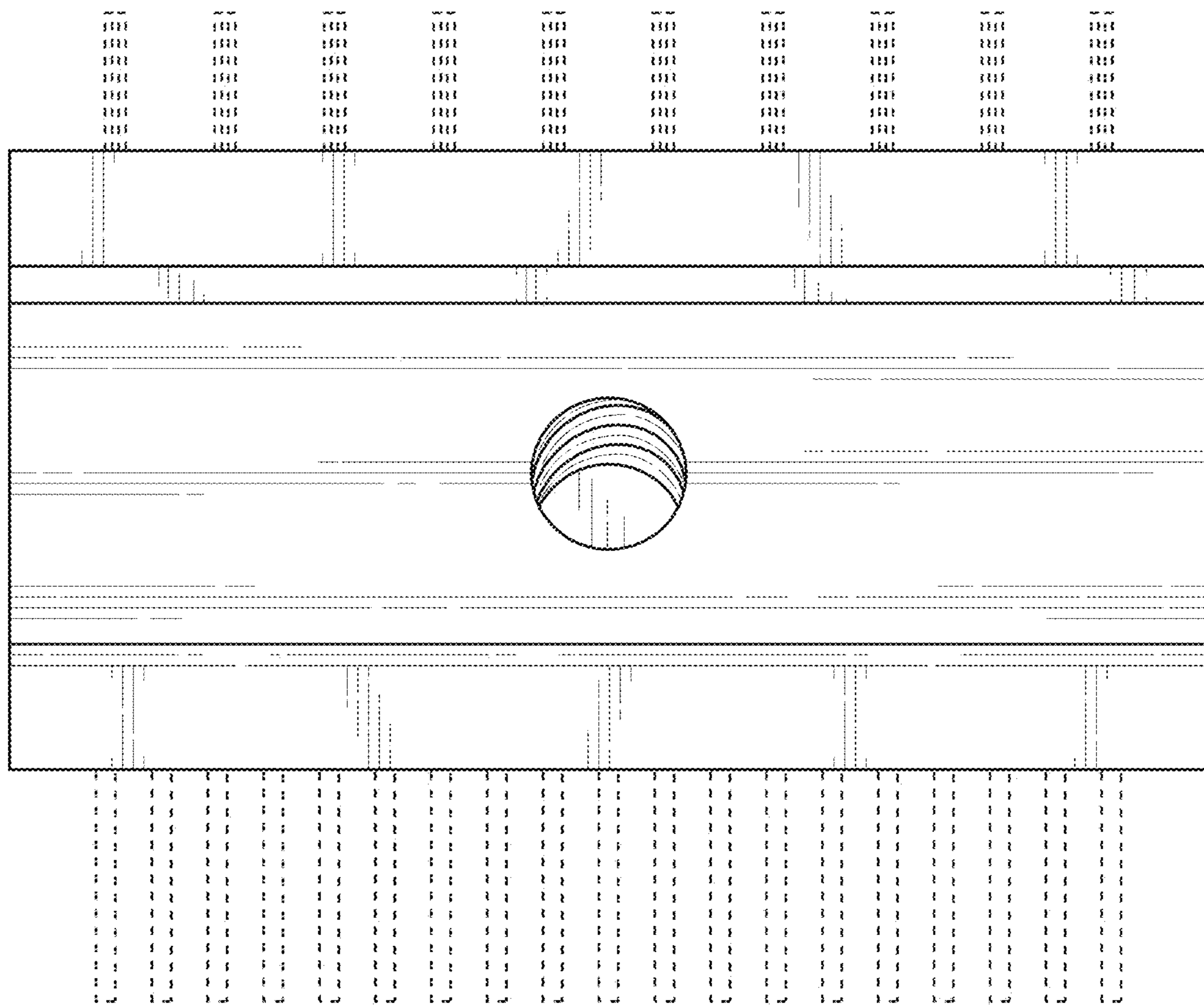


FIG. 5

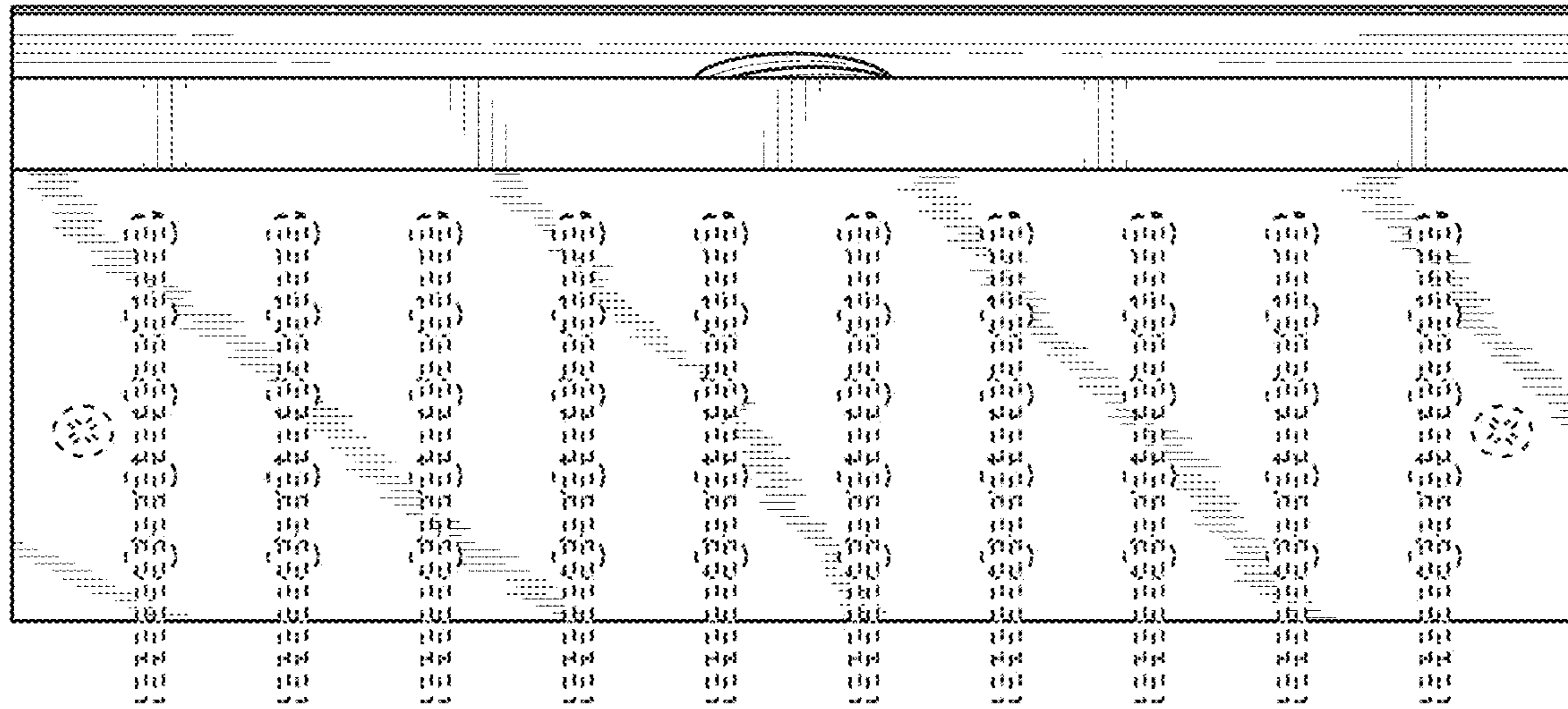


FIG. 6

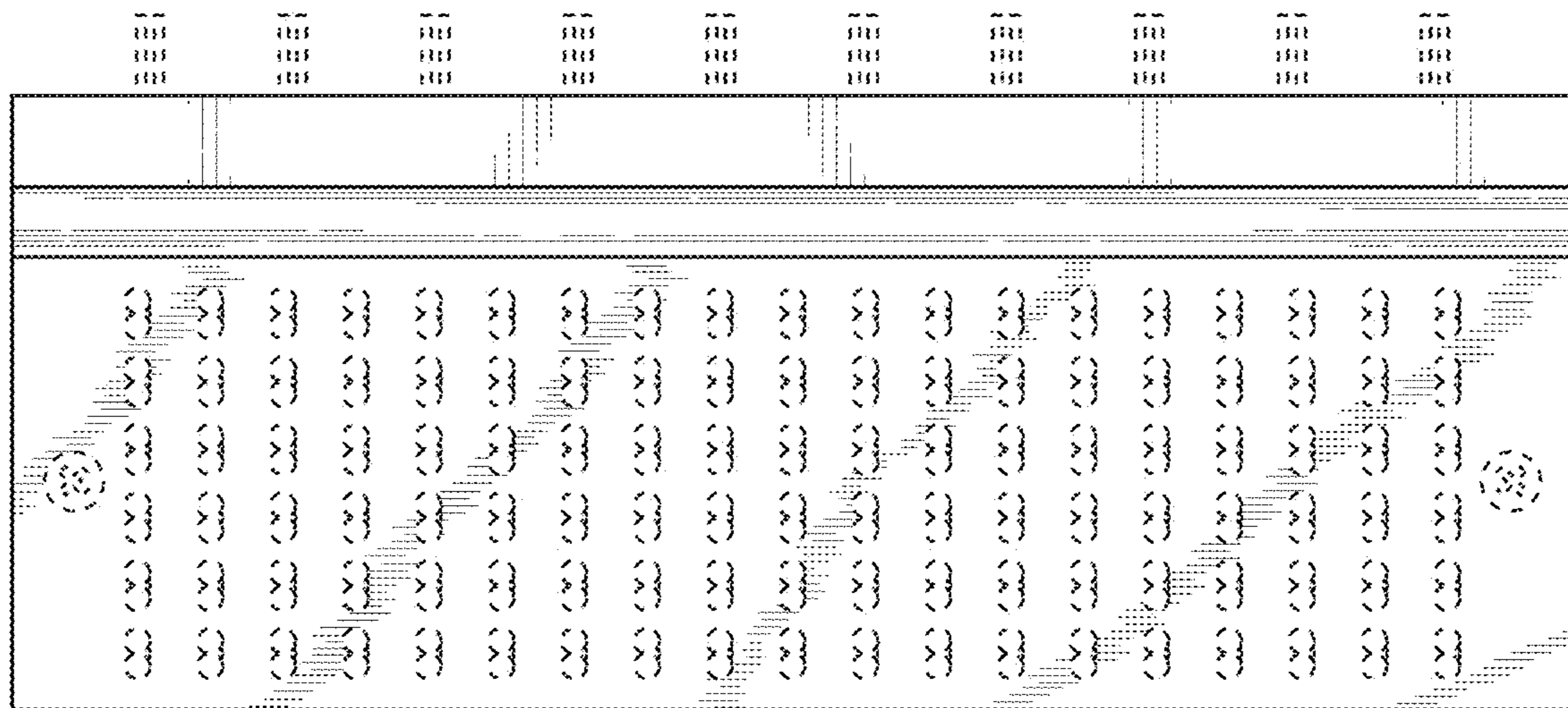


FIG. 7

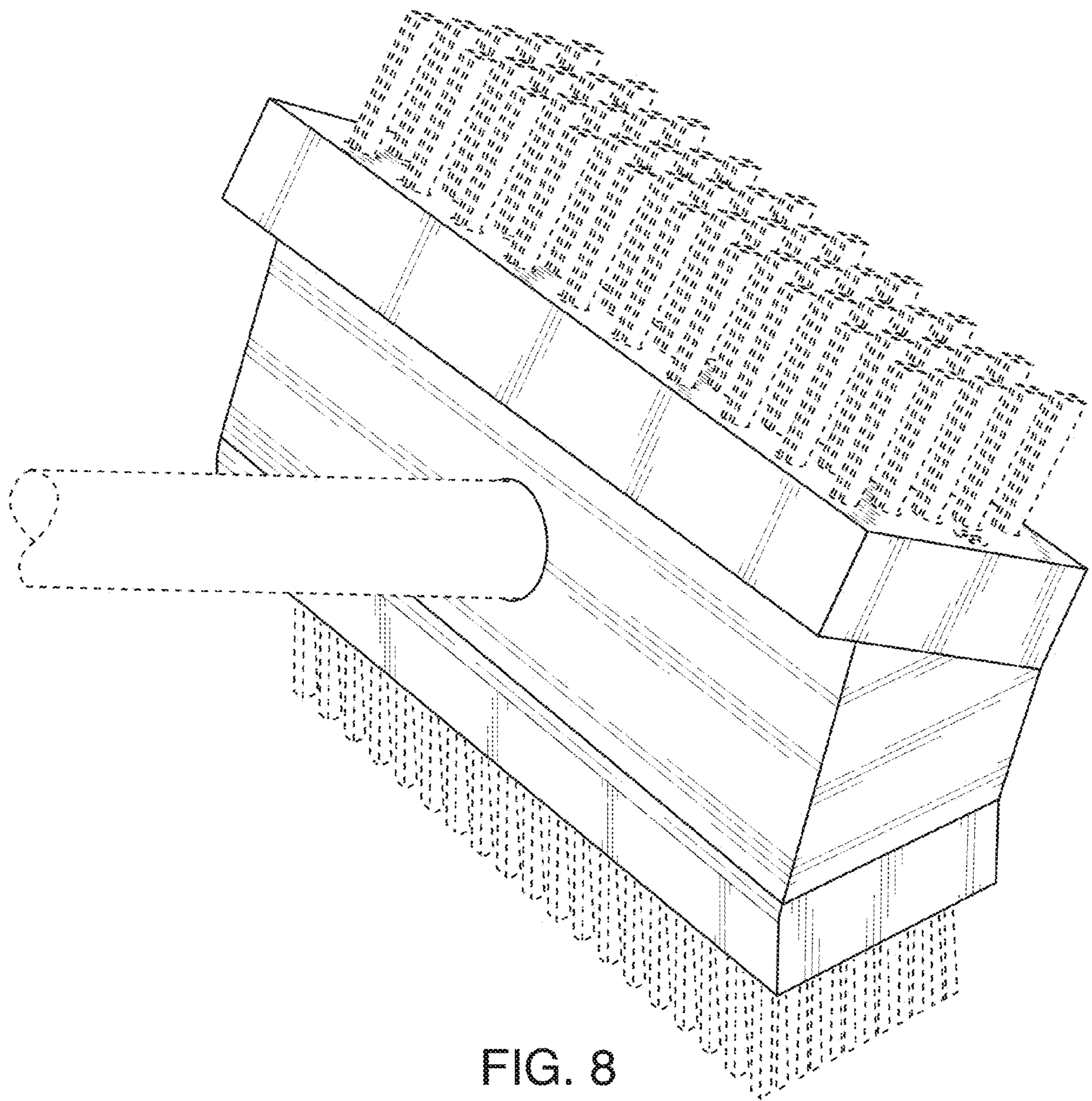


FIG. 8