



US00D871071S

(12) **United States Design Patent**
Kodada

(10) **Patent No.:** **US D871,071 S**

(45) **Date of Patent:** **** Dec. 31, 2019**

(54) **FLEXIBLE HAND SLEEVE FOR A CLUTCH BAG**

D751,818 S 3/2016 Perrin
D755,521 S * 5/2016 Wei D3/318
D804,812 S * 12/2017 Louboutin D3/232

(71) Applicant: **CRYSTAL KODADA LLC**, East Brunswick, NJ (US)

* cited by examiner

(72) Inventor: **Crystal Kodada**, East Brunswick, NJ (US)

Primary Examiner — Holly H Baynham

(74) *Attorney, Agent, or Firm* — Tarter Krinsky & Drogin LLP

(73) Assignee: **Crystal Kodada LLC**, East Brunswick, NJ (US)

(57) **CLAIM**

(**) Term: **15 Years**

The ornamental design for a flexible hand sleeve for a clutch bag, as shown and described.

(21) Appl. No.: **29/638,722**

(22) Filed: **Feb. 28, 2018**

DESCRIPTION

(51) **LOC (12) Cl.** **03-01**

(52) **U.S. Cl.**
USPC **D3/318**

(58) **Field of Classification Search**
USPC D3/232–233, 240–243, 245–246, 318
CPC A45C 1/024; A45C 3/06; A45C 1/06
See application file for complete search history.

FIG. 1 is a front perspective view of a flexible hand sleeve for a clutch bag;
FIG. 2 is a front view thereof;
FIG. 3 is a first side view thereof;
FIG. 4 is a second side view thereof;
FIG. 5 is a top view thereof;
FIG. 6 is a bottom view thereof; and,
FIG. 7 is a front perspective view of a hand inserted within the flexible hand sleeve.

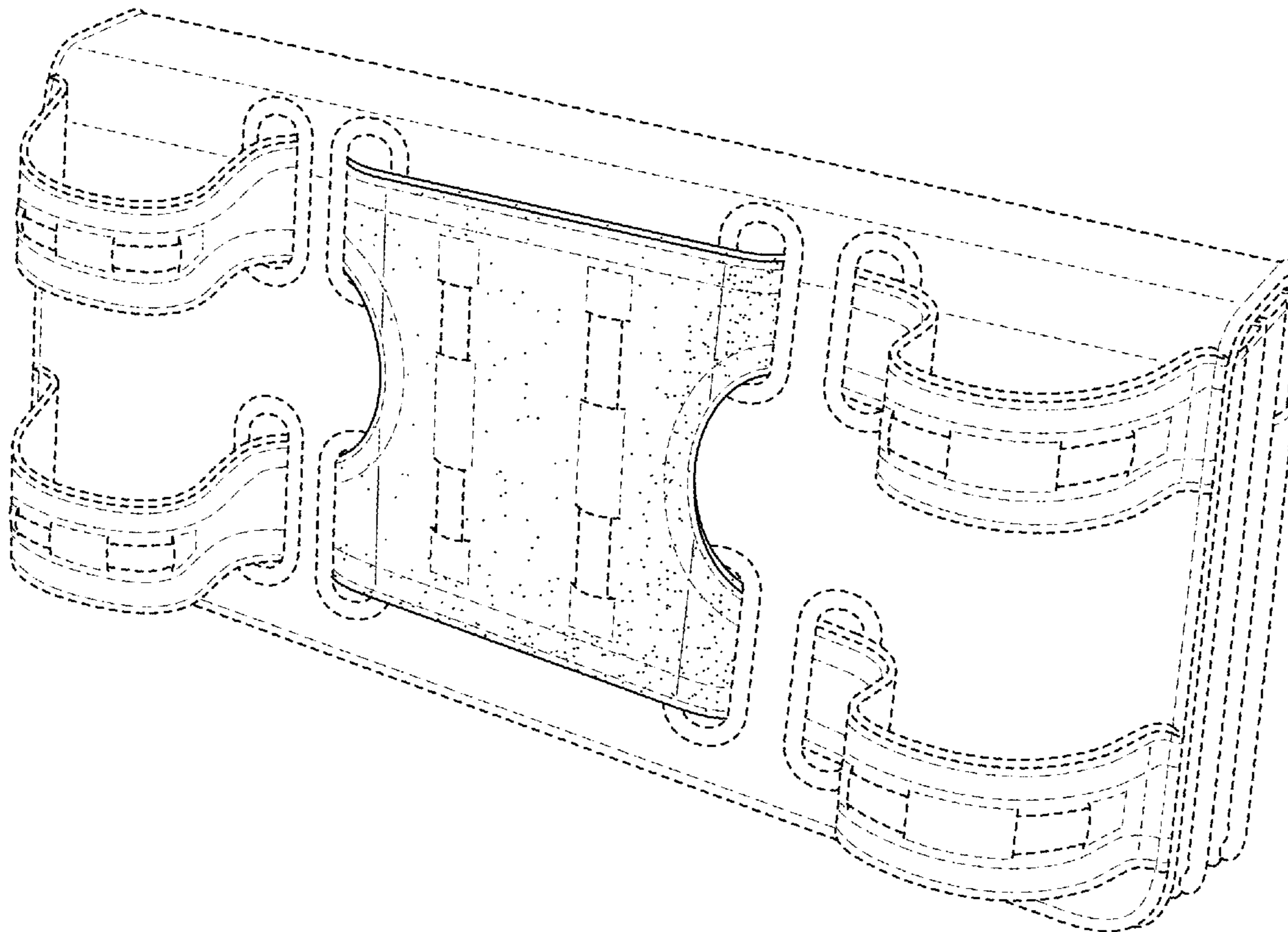
The broken lines shown in the drawings represent only environmental structure and form no part of the claimed design.

(56) **References Cited**

U.S. PATENT DOCUMENTS

3,189,073 A * 6/1965 Todd A45C 1/04
128/878
D711,653 S * 8/2014 Pacetti D3/318

1 Claim, 7 Drawing Sheets



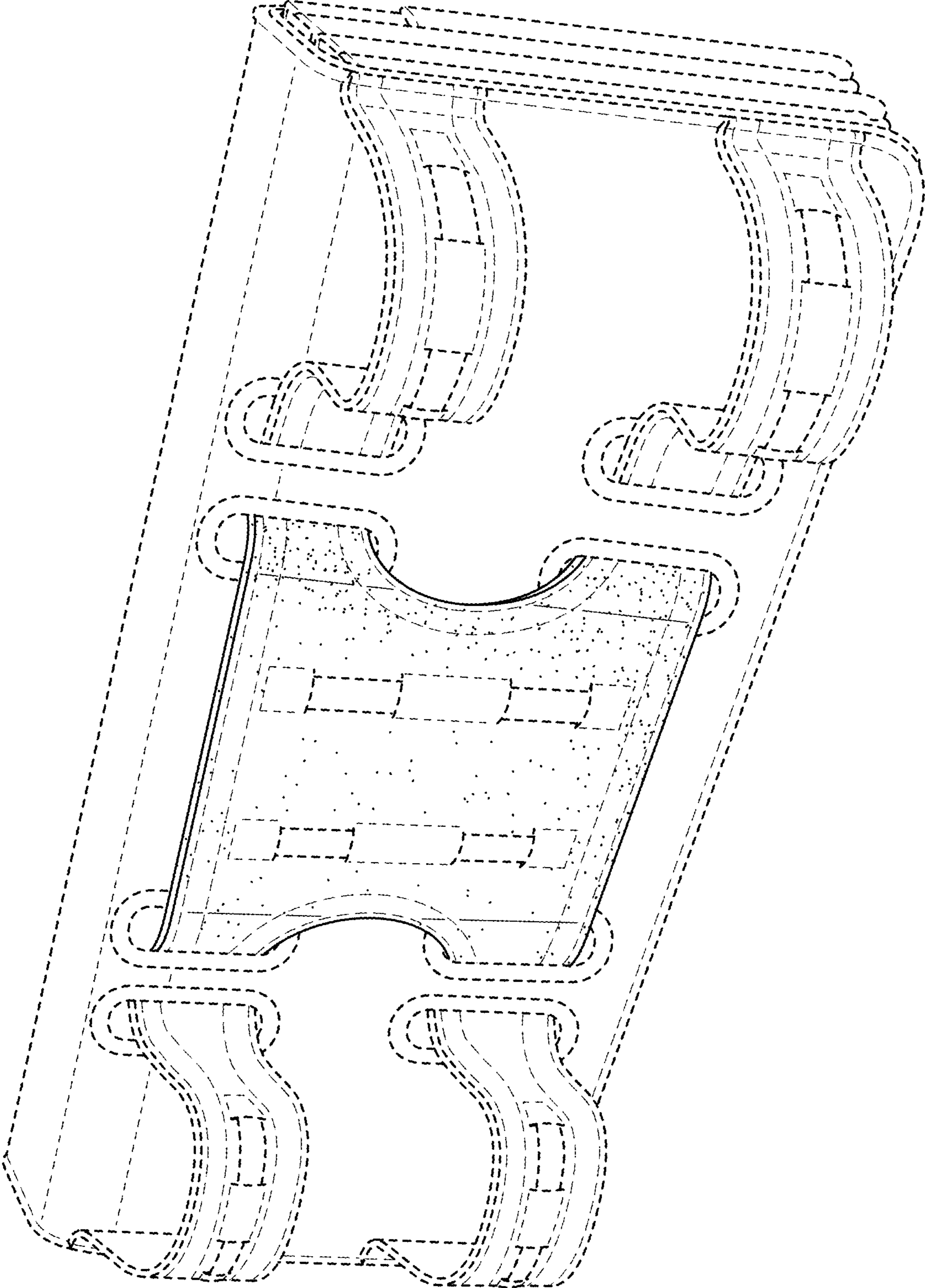


FIG. 1

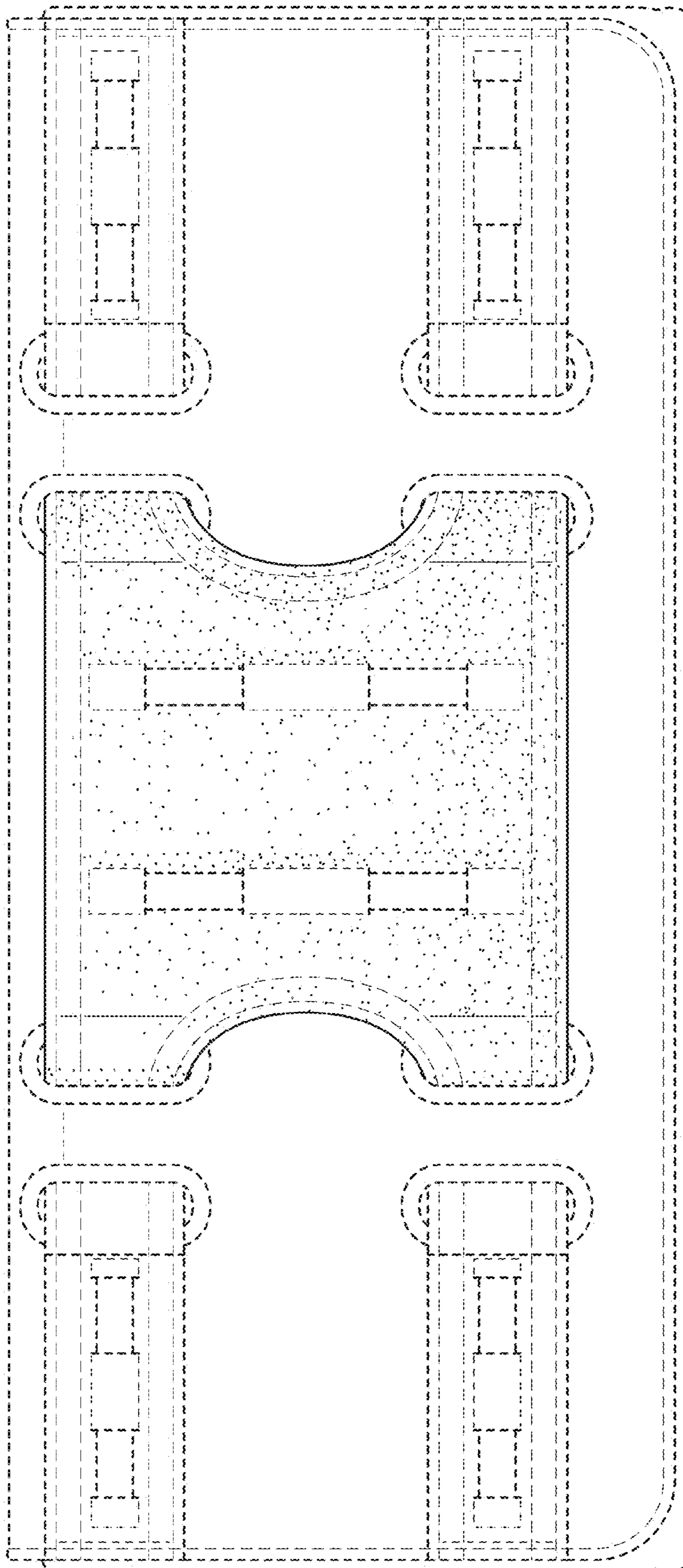


FIG. 2

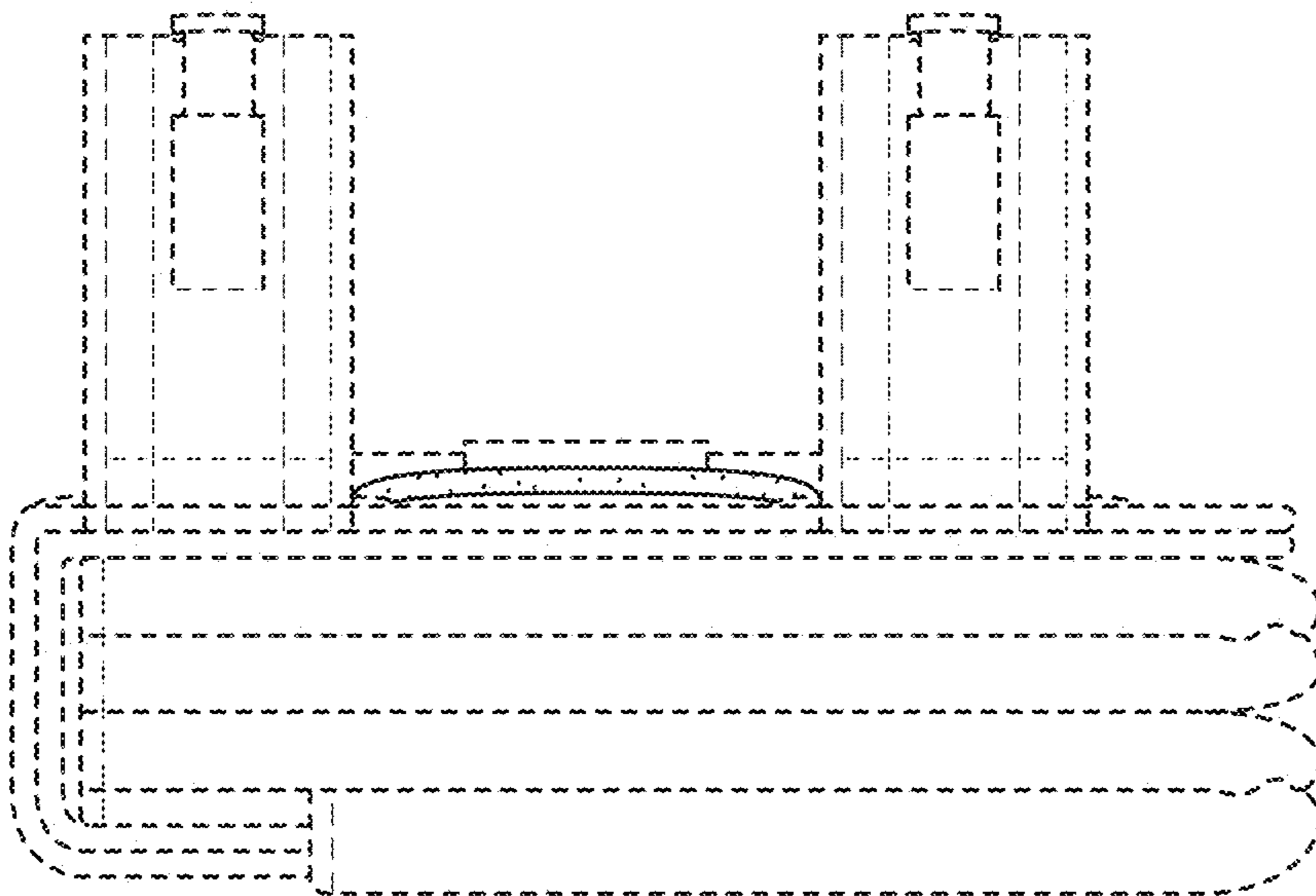


FIG. 3

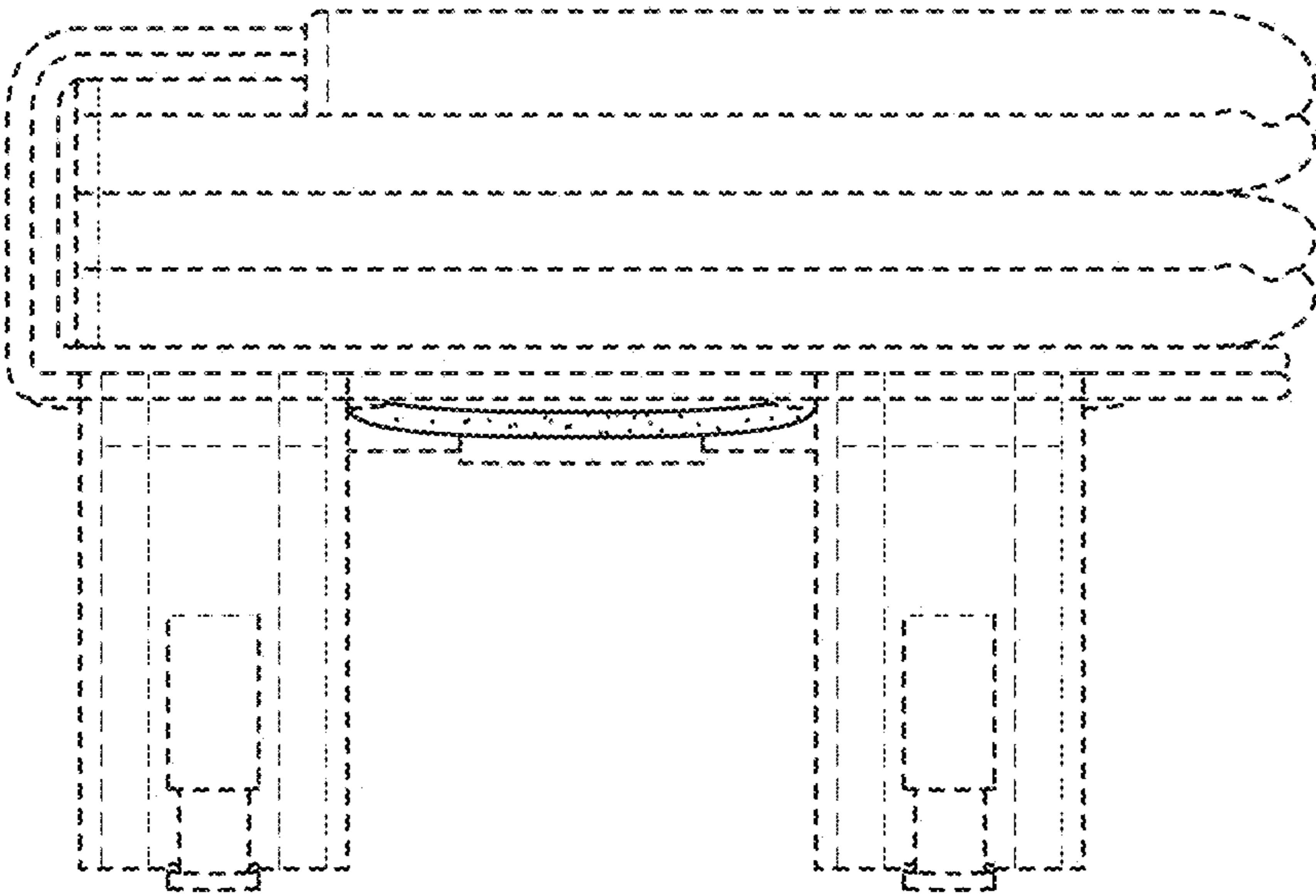


FIG. 4

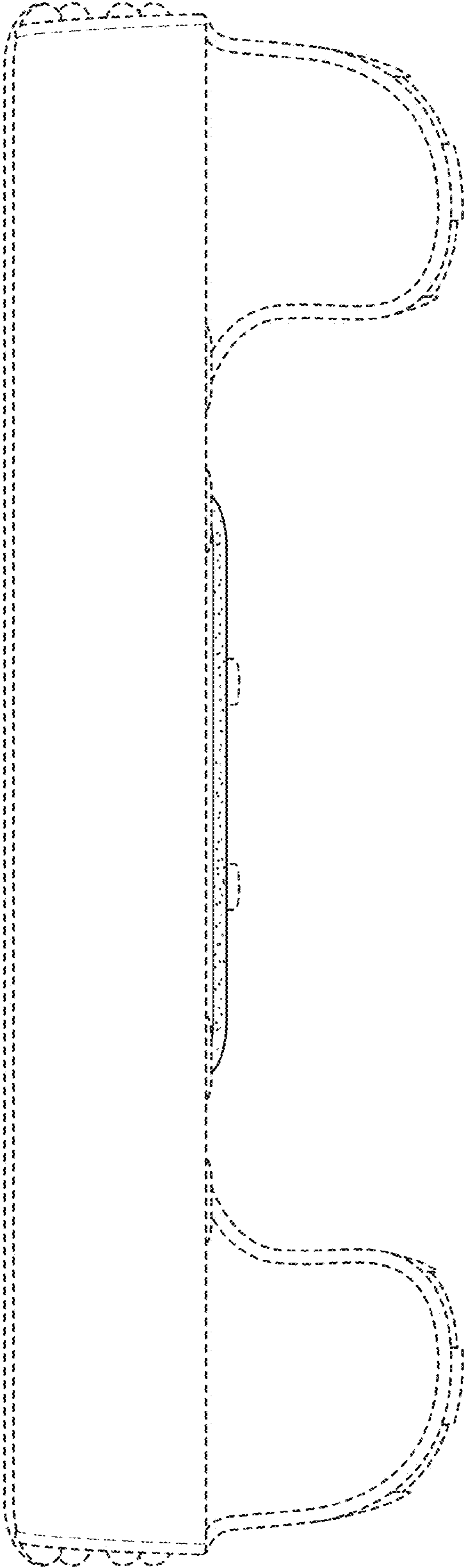


FIG. 5

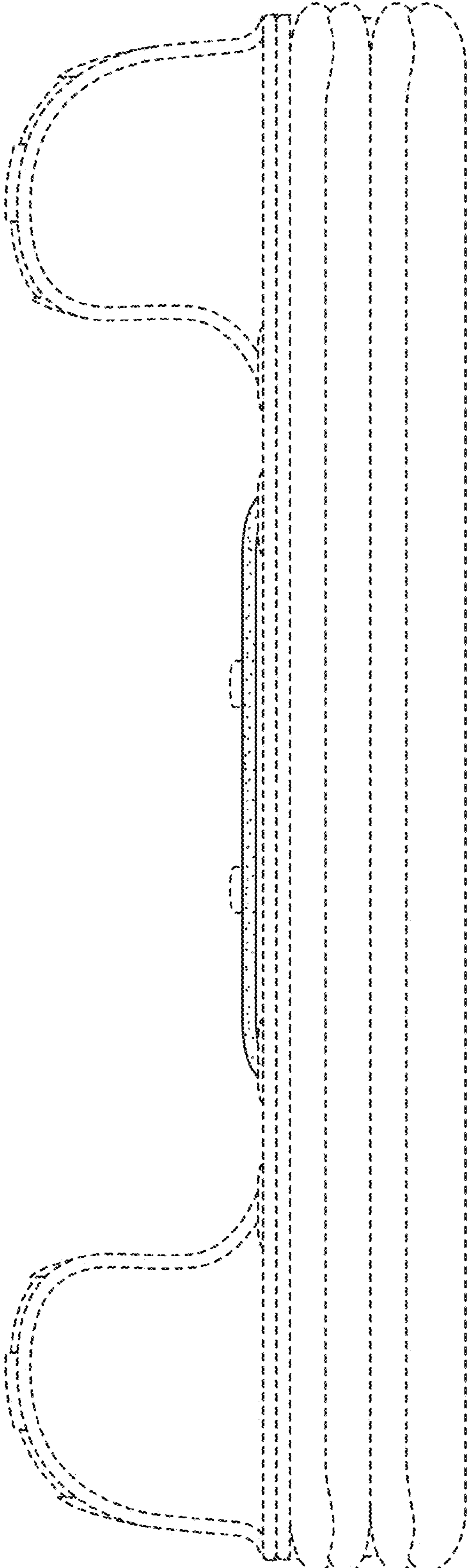


FIG. 6

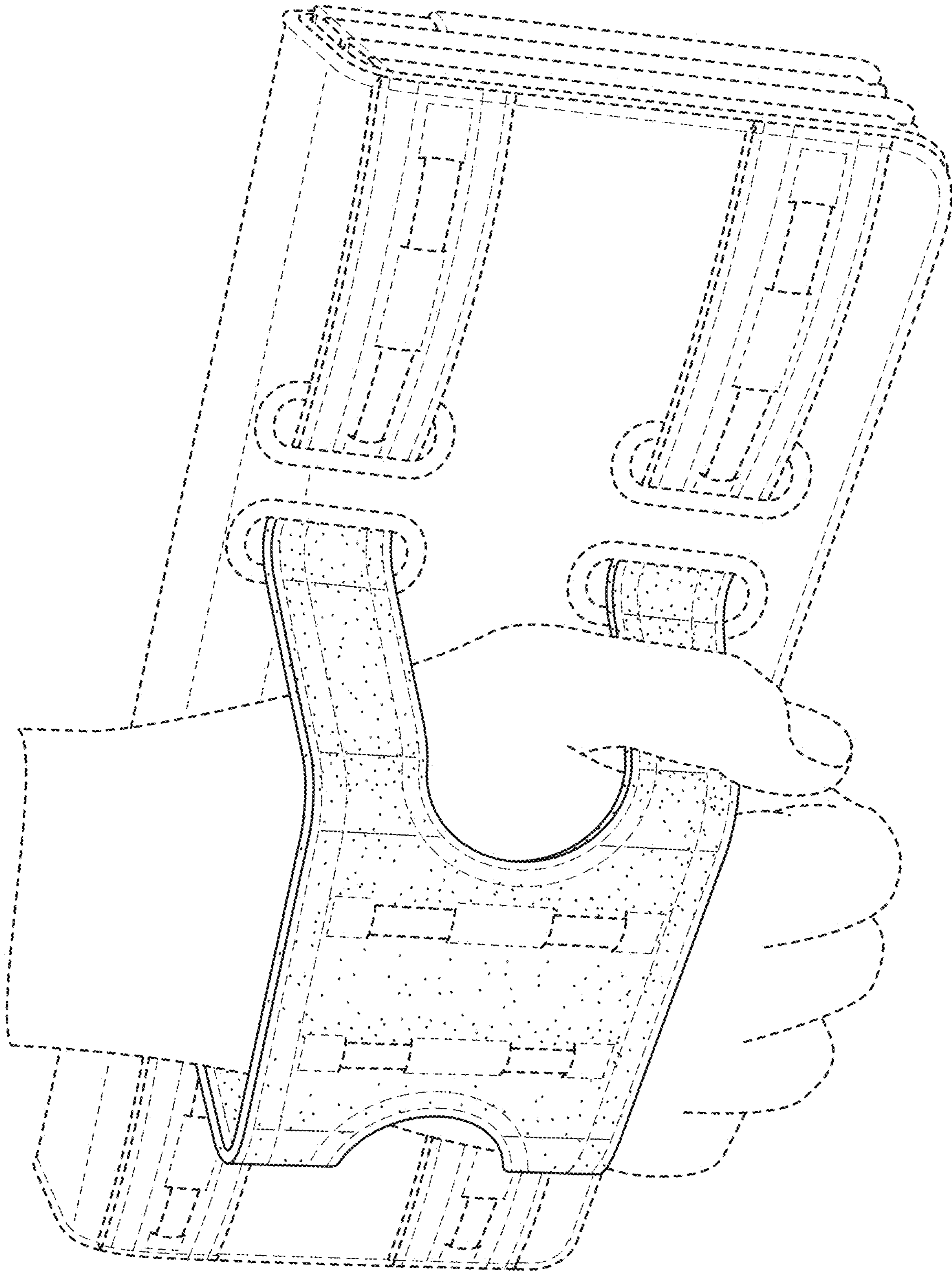


FIG. 7