



US00D871070S

(12) **United States Design Patent** (10) **Patent No.:** **US D871,070 S**
Bakker (45) **Date of Patent:** **** Dec. 31, 2019**

(54) **PORTION OF A STORAGE BIN**

(71) Applicant: **HNI Technologies Inc.**, Muscatine, IA (US)

(72) Inventor: **Mitchell R. Bakker**, Holland, MI (US)

(**) Term: **15 Years**

(21) Appl. No.: **29/641,717**

(22) Filed: **Mar. 23, 2018**

(51) **LOC (12) Cl.** **03-01**

(52) **U.S. Cl.**
USPC **D3/304**

(58) **Field of Classification Search**

USPC D6/512-513, 672-674, 675, 682-682.1;
D7/601-602; D3/304-315

CPC B65D 1/02; B65D 1/023; B65D 1/0223
See application file for complete search history.

(56) **References Cited**

U.S. PATENT DOCUMENTS

1,471,712	A	10/1923	Sohnle	
D366,806	S *	2/1996	Durst	D7/354
D391,990	S *	3/1998	Wolff	D19/78
5,975,658	A	11/1999	Verbeek et al.	
6,253,399	B1	7/2001	Wagner	
6,619,768	B1	9/2003	Northrop et al.	
D486,022	S *	2/2004	Shamoon	D6/553
D590,889	S *	4/2009	Lanfear	D19/90
D595,775	S *	7/2009	Weinstein	D19/90
D609,472	S	2/2010	Chen	
D626,747	S	11/2010	Brown et al.	
D668,118	S *	10/2012	Hayes	D7/602

(Continued)

Primary Examiner — Kelley A Donnelly

(74) *Attorney, Agent, or Firm* — Faegre Baker Daniels LLP

(57) **CLAIM**

The ornamental design for a portion of a storage bin, as shown and described.

DESCRIPTION

FIG. 1 is an isometric view of a first embodiment of a portion of a storage bin from a first, top perspective.

FIG. 2 is a front view of the first embodiment of the portion of a storage bin.

FIG. 3 is a rear view of the first embodiment of the portion of a storage bin.

FIG. 4 is a left side view of the first embodiment of the portion of a storage bin.

FIG. 5 is a right side view of the first embodiment of the portion of a storage bin.

FIG. 6 is a top view of the first embodiment of the portion of a storage bin.

FIG. 7 is a bottom view of the first embodiment of the portion of a storage bin.

FIG. 8 is an isometric view of the first embodiment of the portion of a storage bin from a second, bottom perspective.

FIG. 9 is an isometric view of a second embodiment of a portion of a storage bin from a first, top perspective.

FIG. 10 is a front view of the second embodiment of the portion of a storage bin.

FIG. 11 is a rear view of the second embodiment of the portion of a storage bin.

FIG. 12 is a left side view of the second embodiment of the portion of a storage bin.

FIG. 13 is a right side view of the second embodiment of the portion of a storage bin.

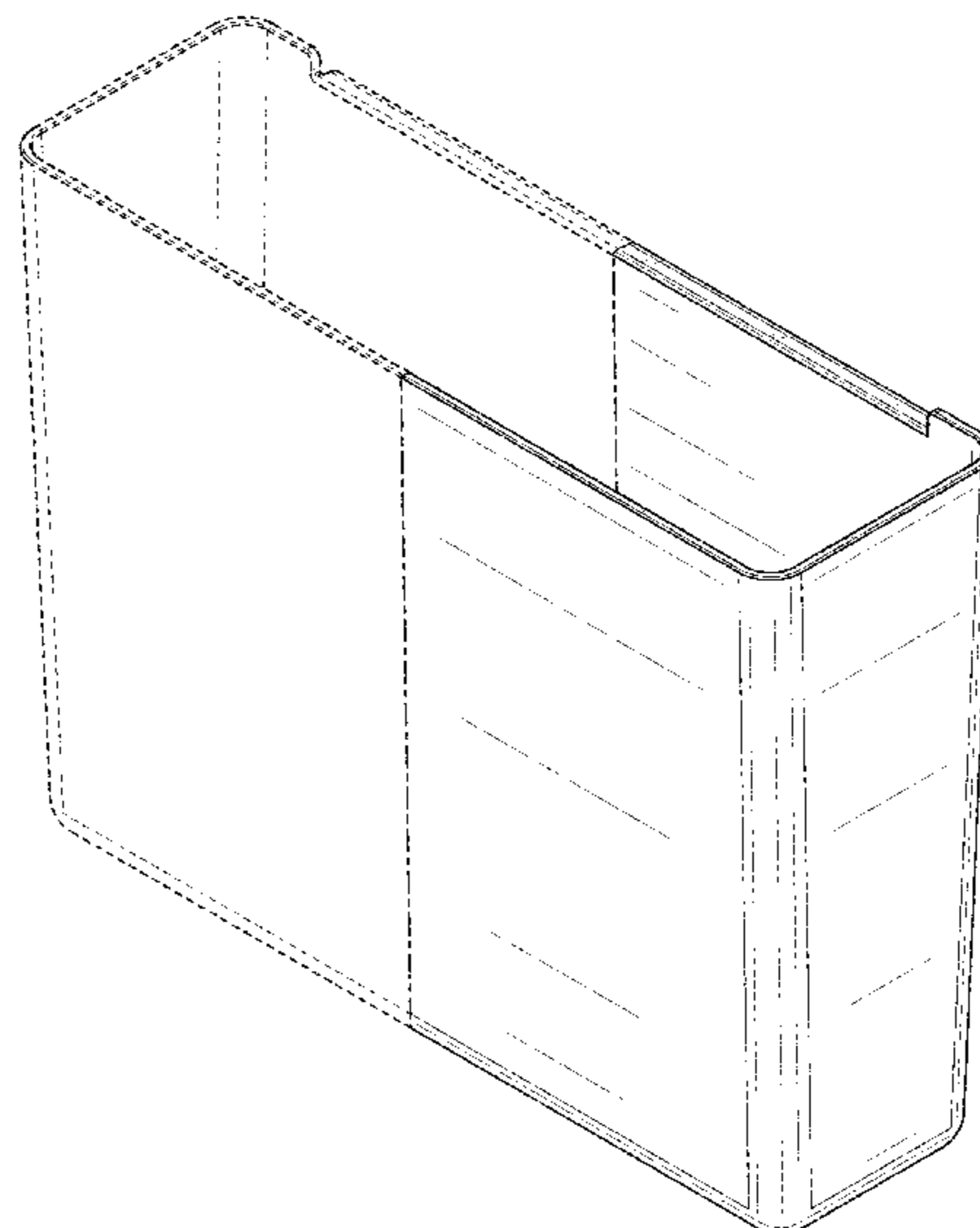
FIG. 14 is a top view of the second embodiment of the portion of a storage bin.

FIG. 15 is a bottom view of the second embodiment of the portion of a storage bin; and,

FIG. 16 is an isometric view of the second embodiment of the portion of a storage bin from a second, bottom perspective.

Long-short broken lines illustrate boundaries that form no part of the claimed design. Features shown as evenly-sized broken lines form no part of the claimed design.

1 Claim, 16 Drawing Sheets



(56)

References Cited

U.S. PATENT DOCUMENTS

D731,187 S * 6/2015 Thompson D3/315
D741,628 S 10/2015 Held et al.
D774,762 S * 12/2016 Aller D3/304
D782,143 S * 3/2017 Divizinskiy D34/1
D796,881 S * 9/2017 Chang D6/708.17
D802,973 S * 11/2017 Chang D6/708.17
D805,776 S 12/2017 Shamp et al.
D812,910 S 3/2018 Harvey
D830,852 S * 10/2018 Sill D9/711
2004/0217677 A1 11/2004 Durand et al.
2008/0040982 A1 2/2008 Durand et al.
2010/0064543 A1 3/2010 Helot

* cited by examiner

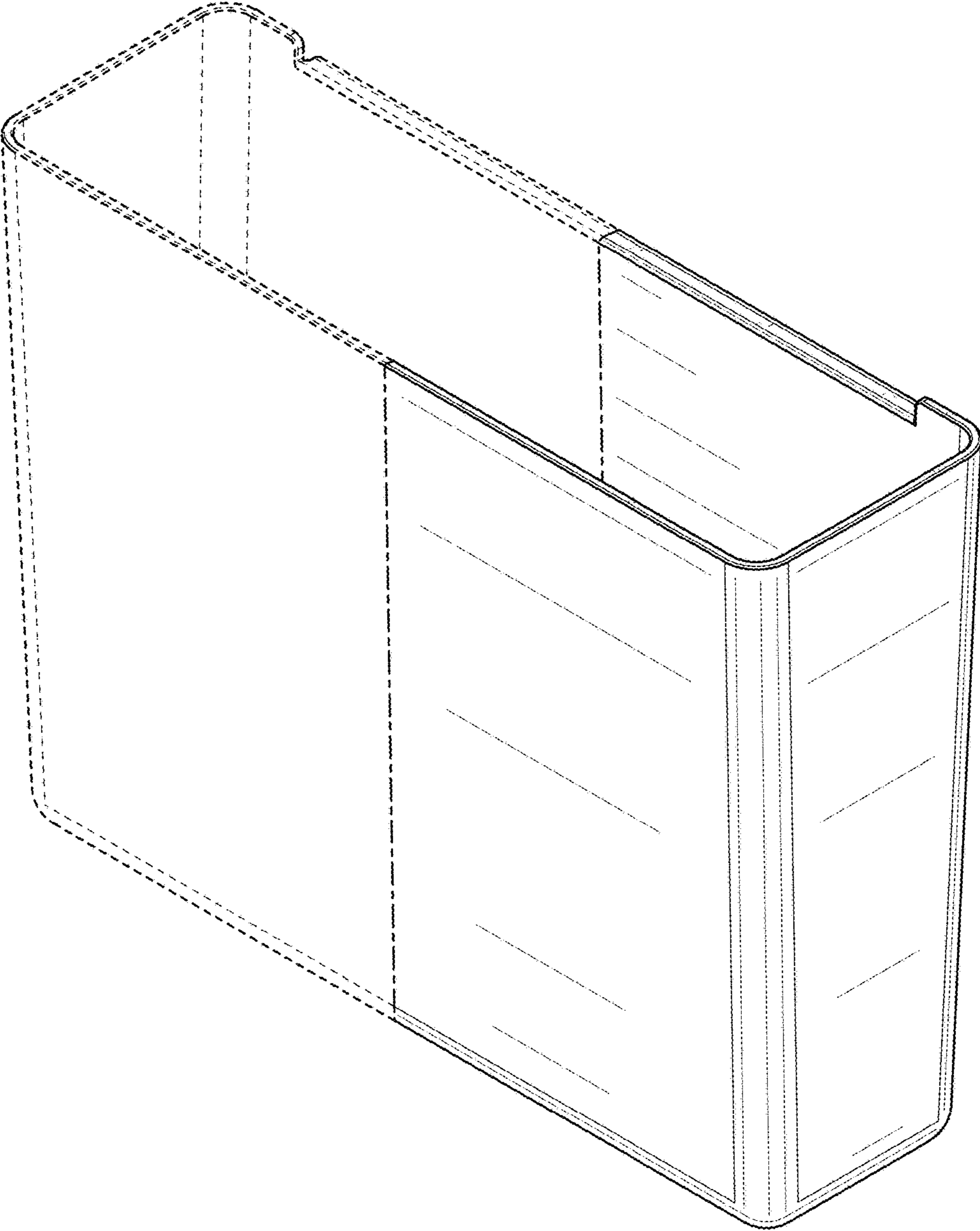


FIG. 1

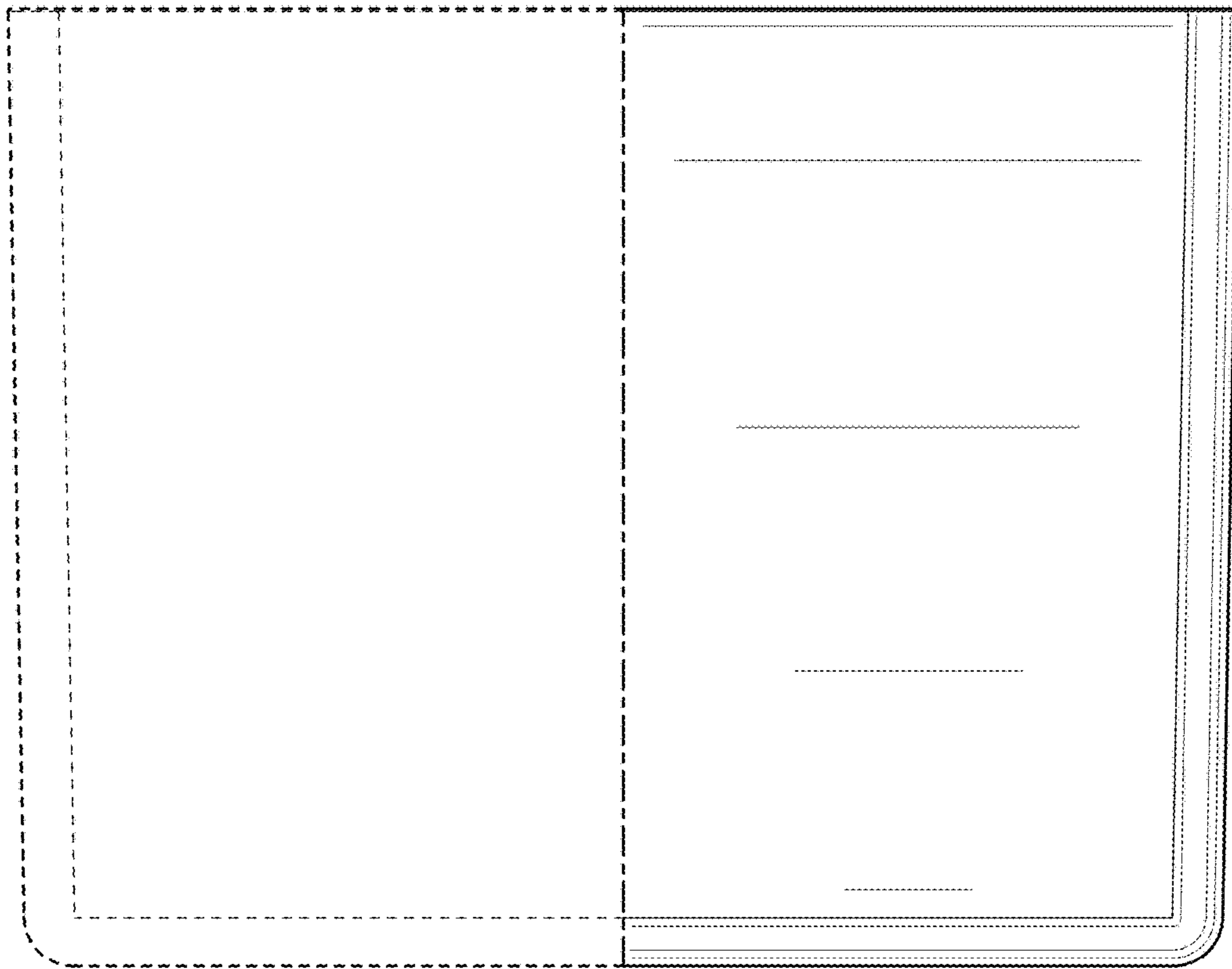


FIG. 2

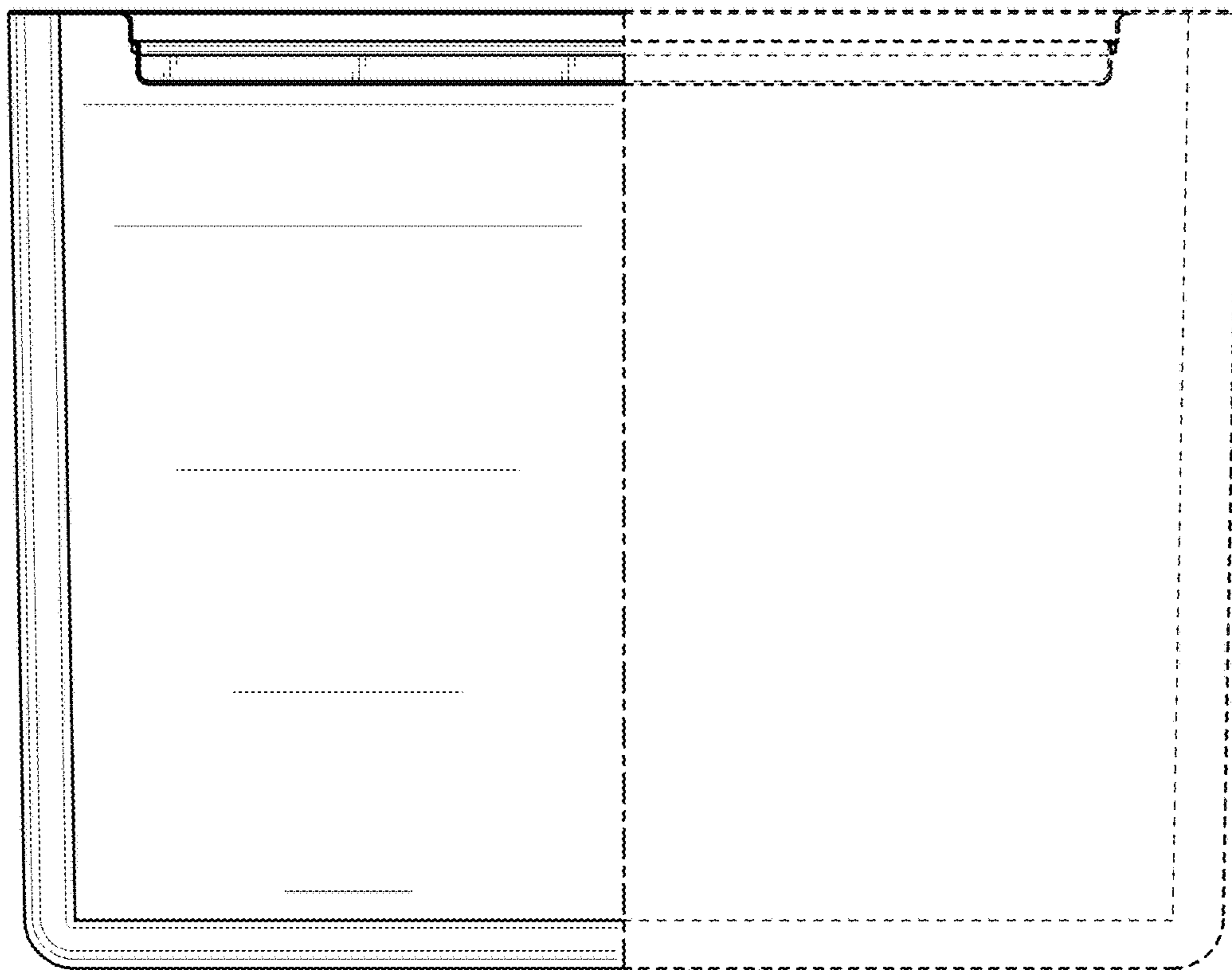


FIG. 3

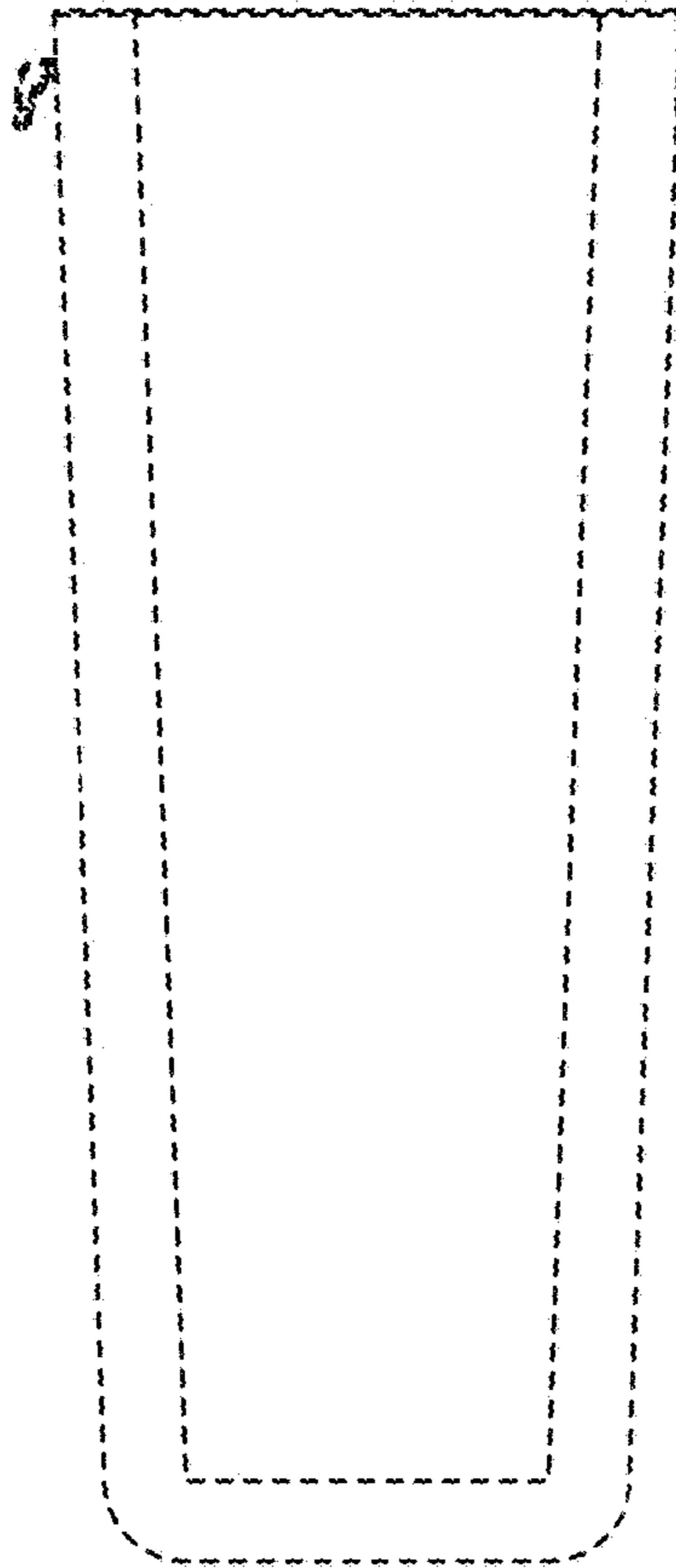


FIG. 4

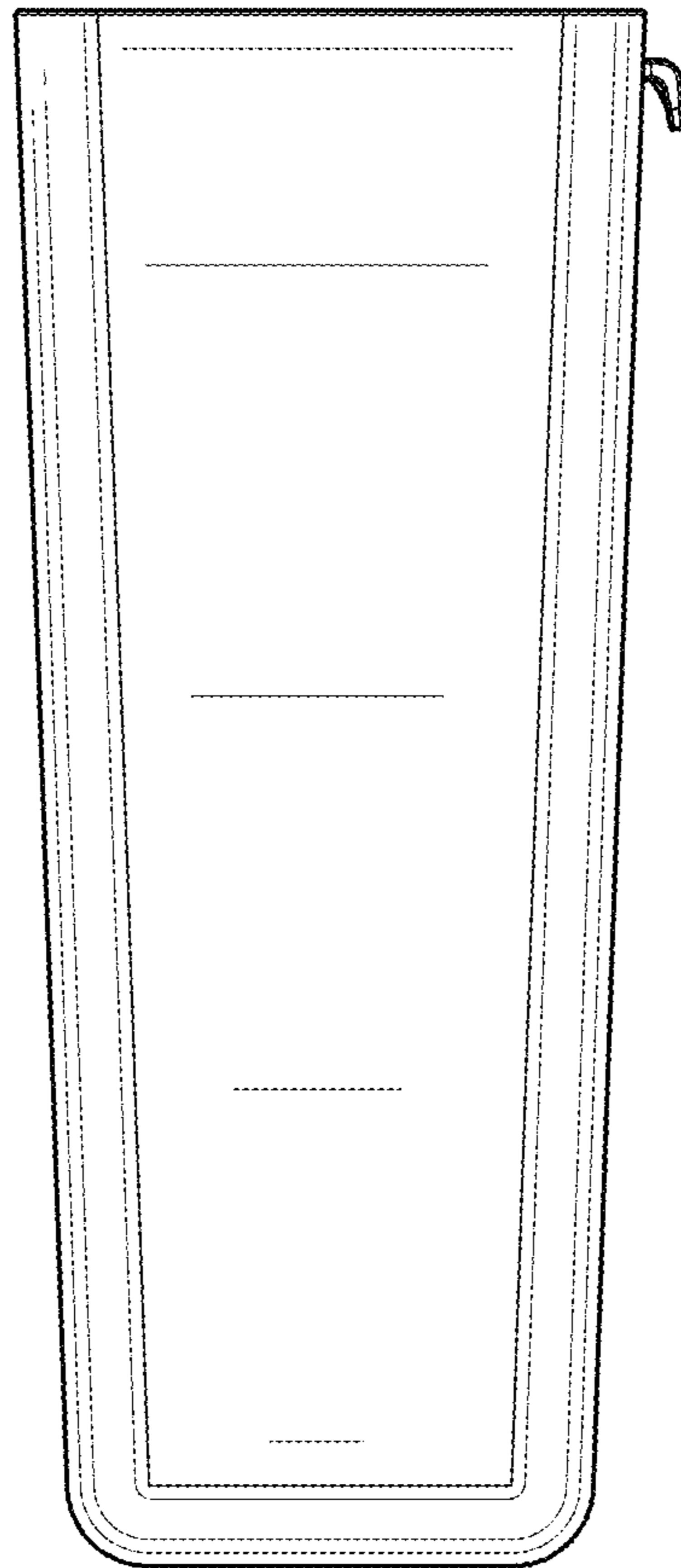


FIG. 5

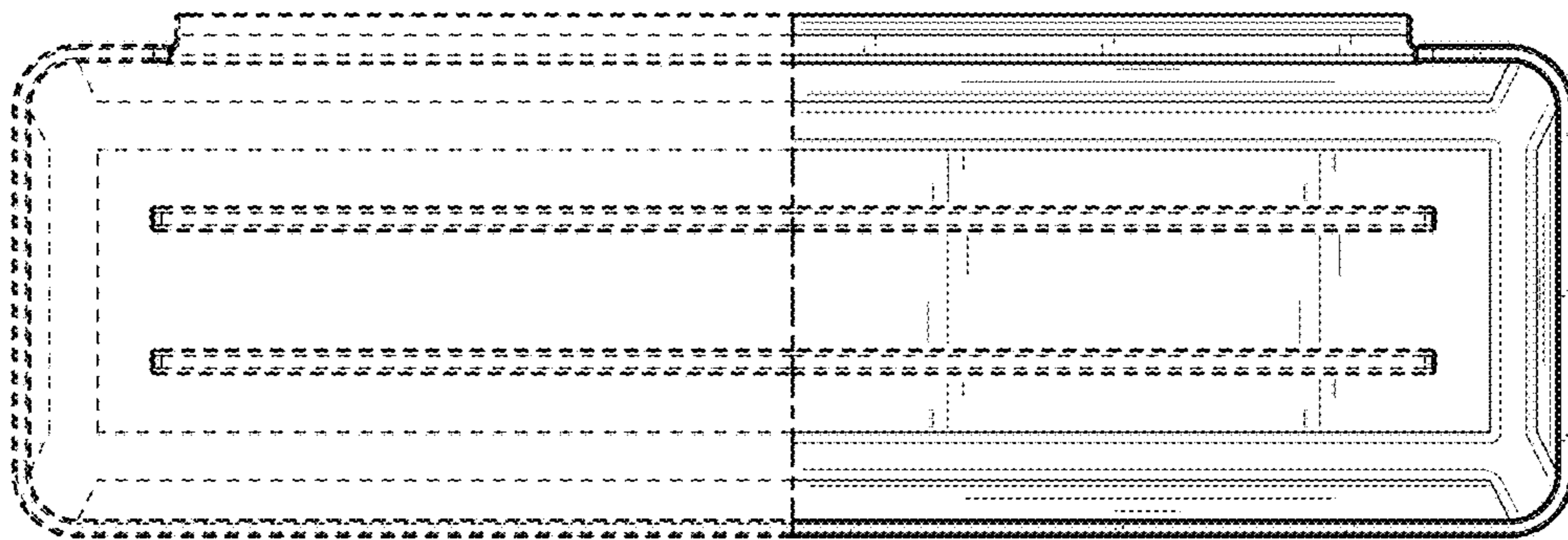


FIG. 6

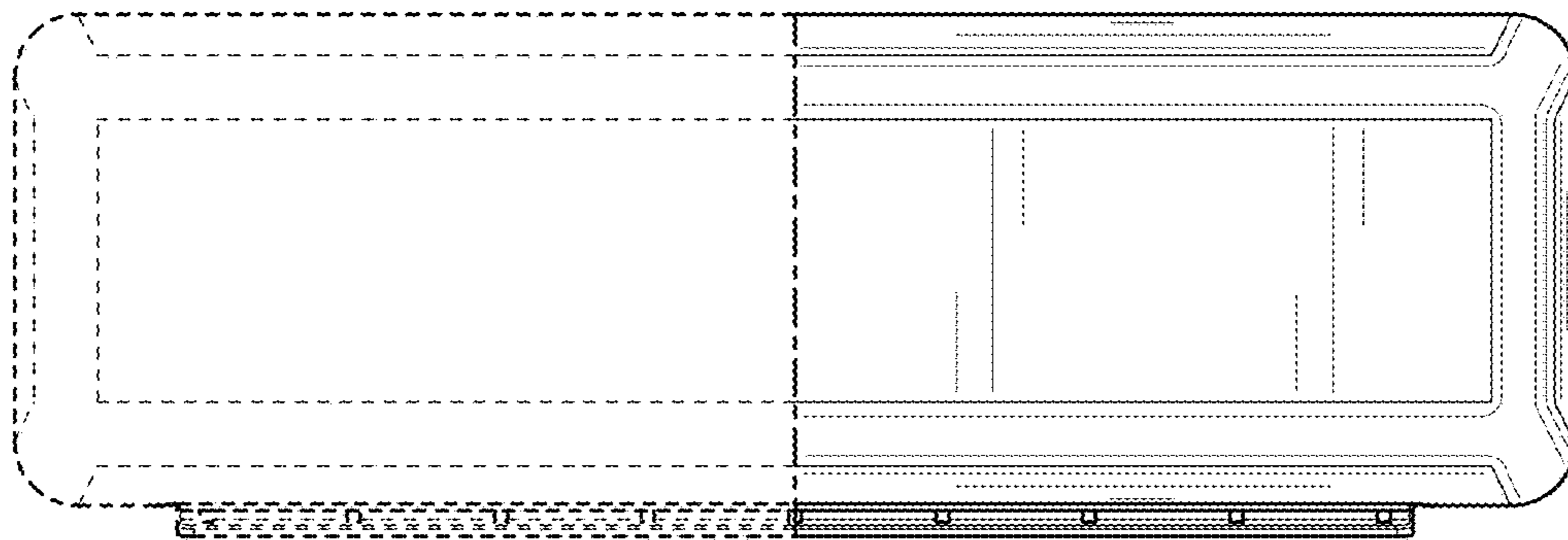


FIG. 7

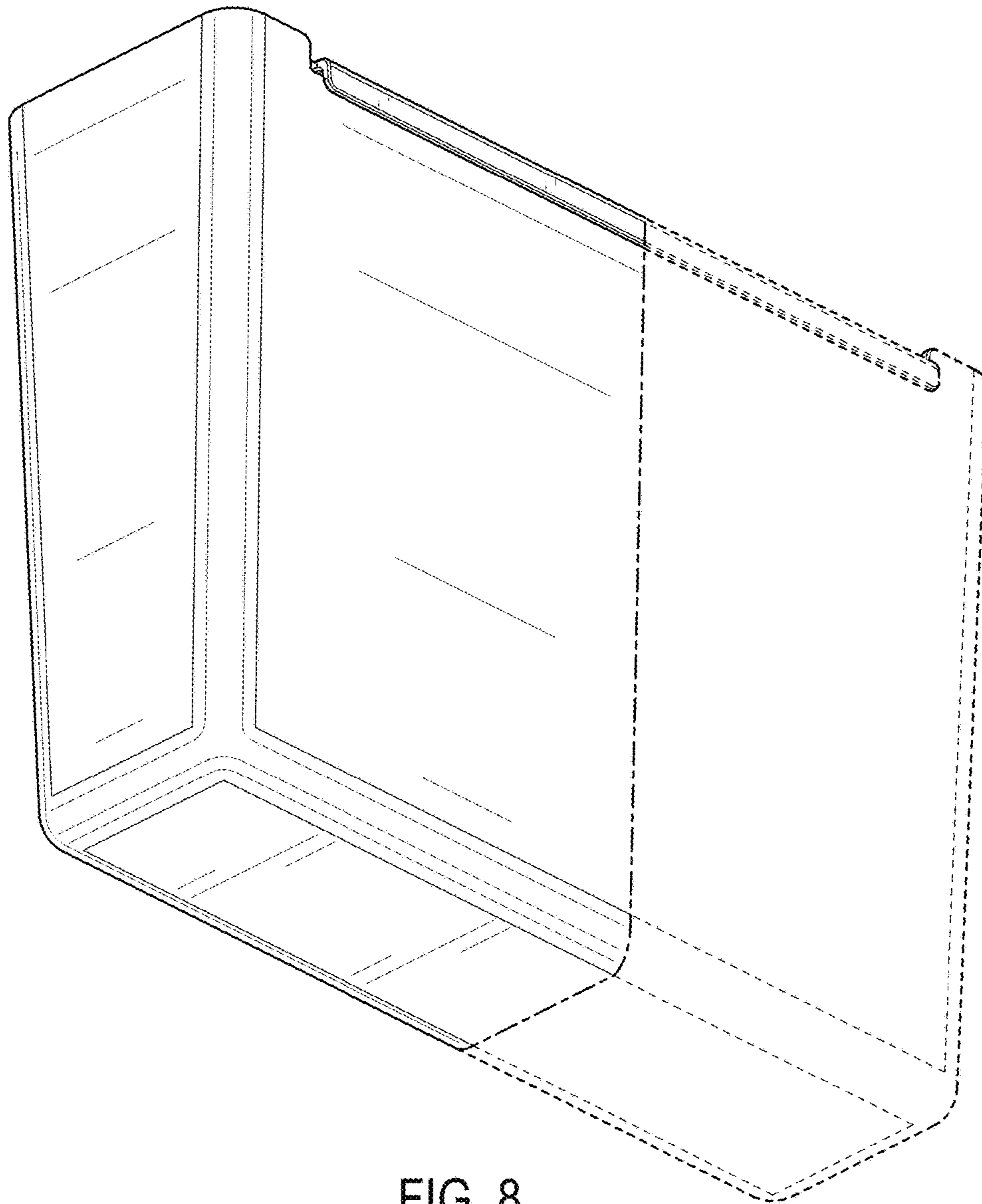


FIG. 8

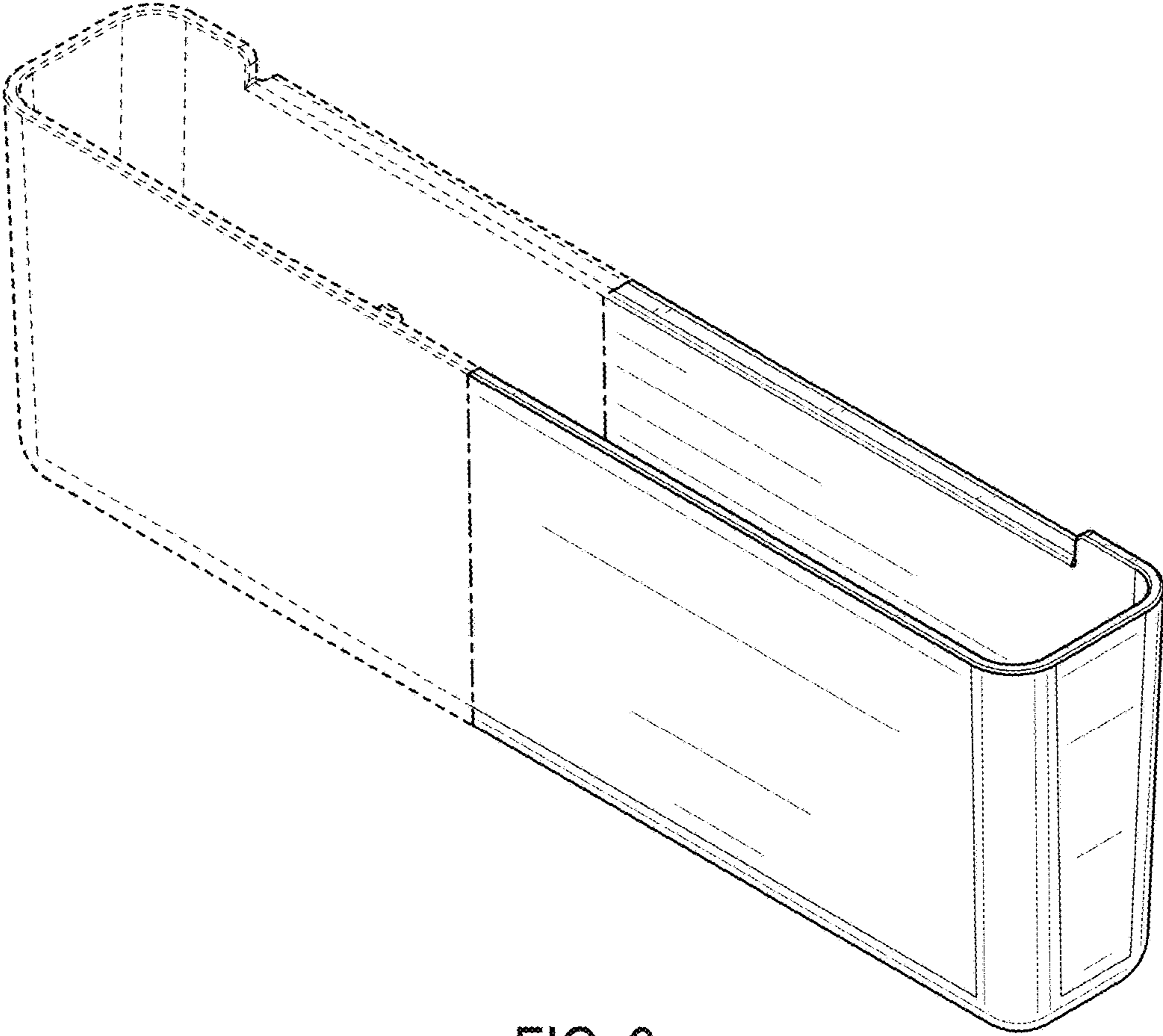


FIG. 9

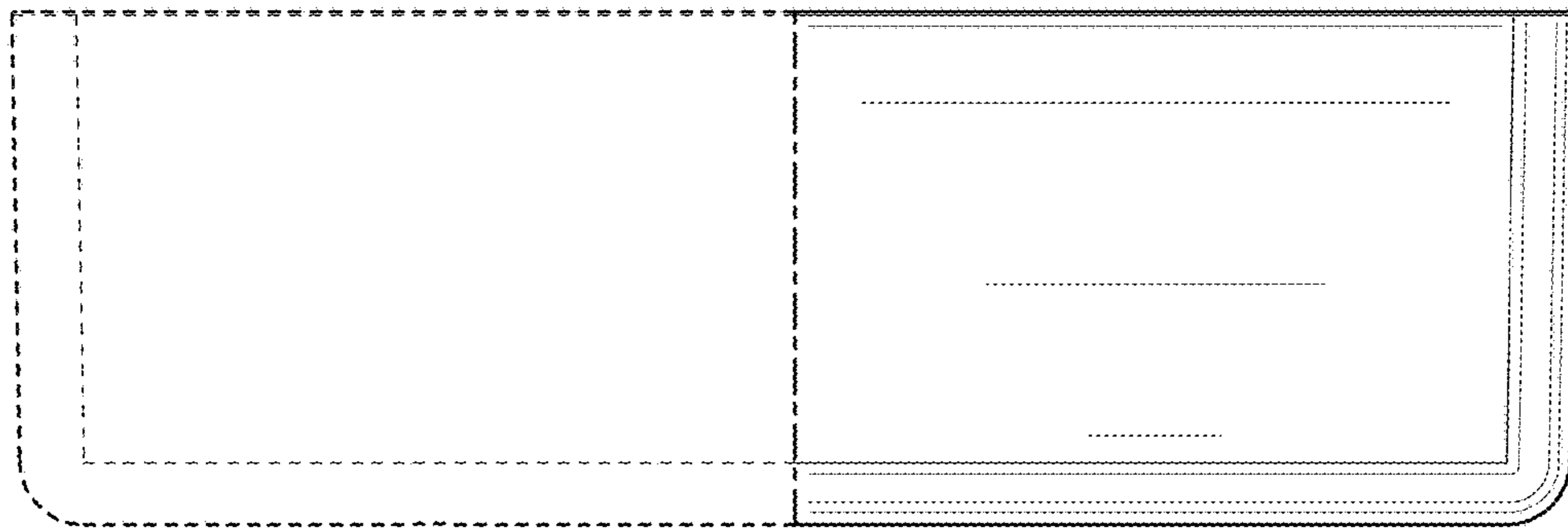


FIG. 10

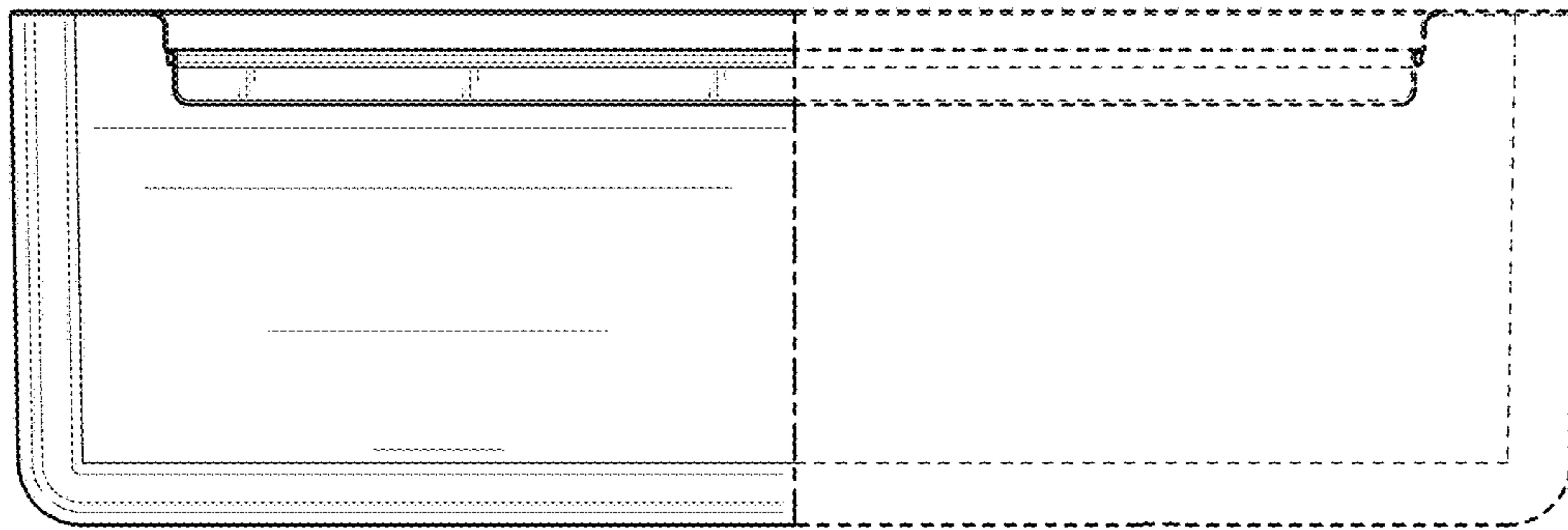


FIG. 11

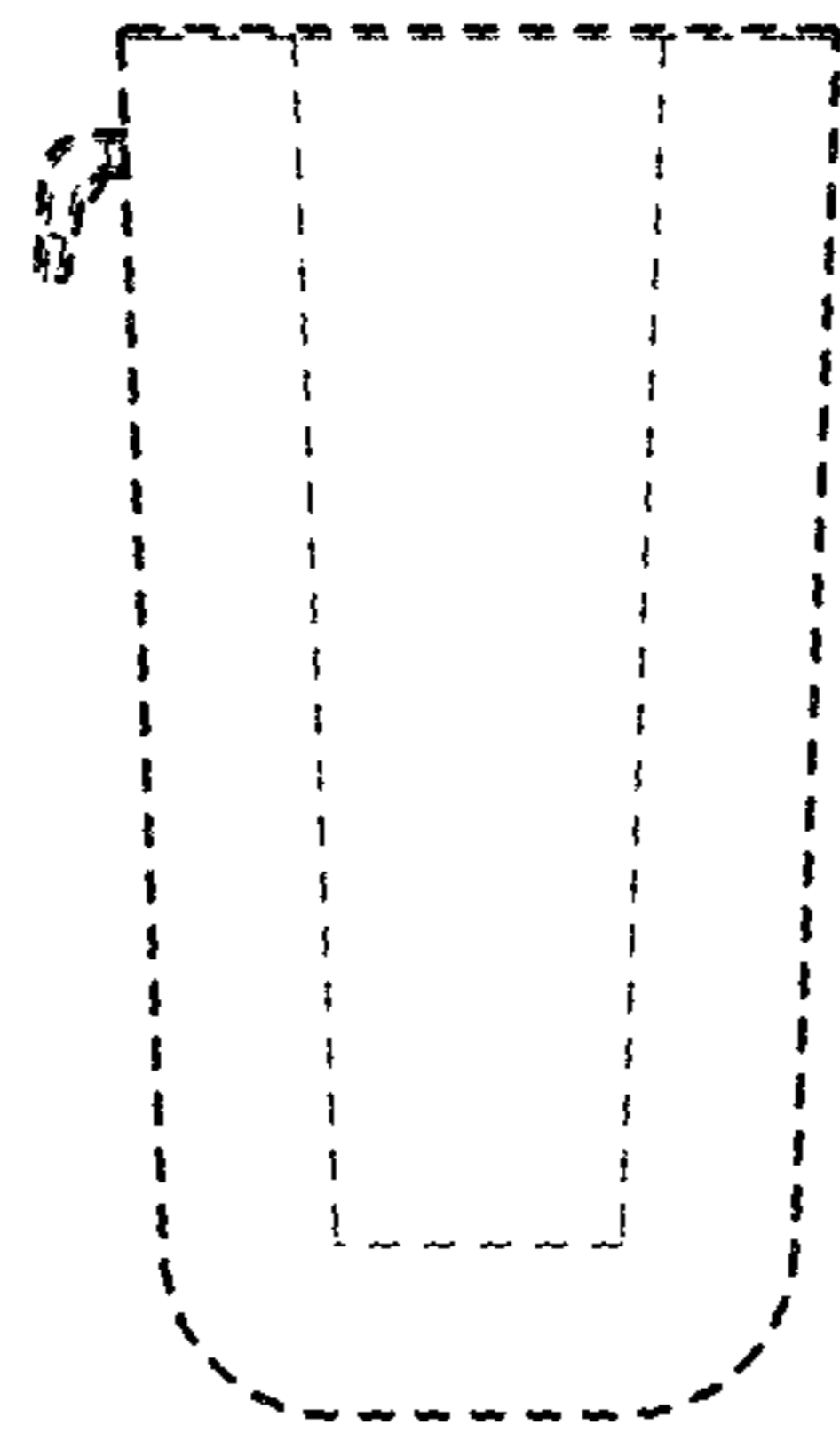


FIG. 12

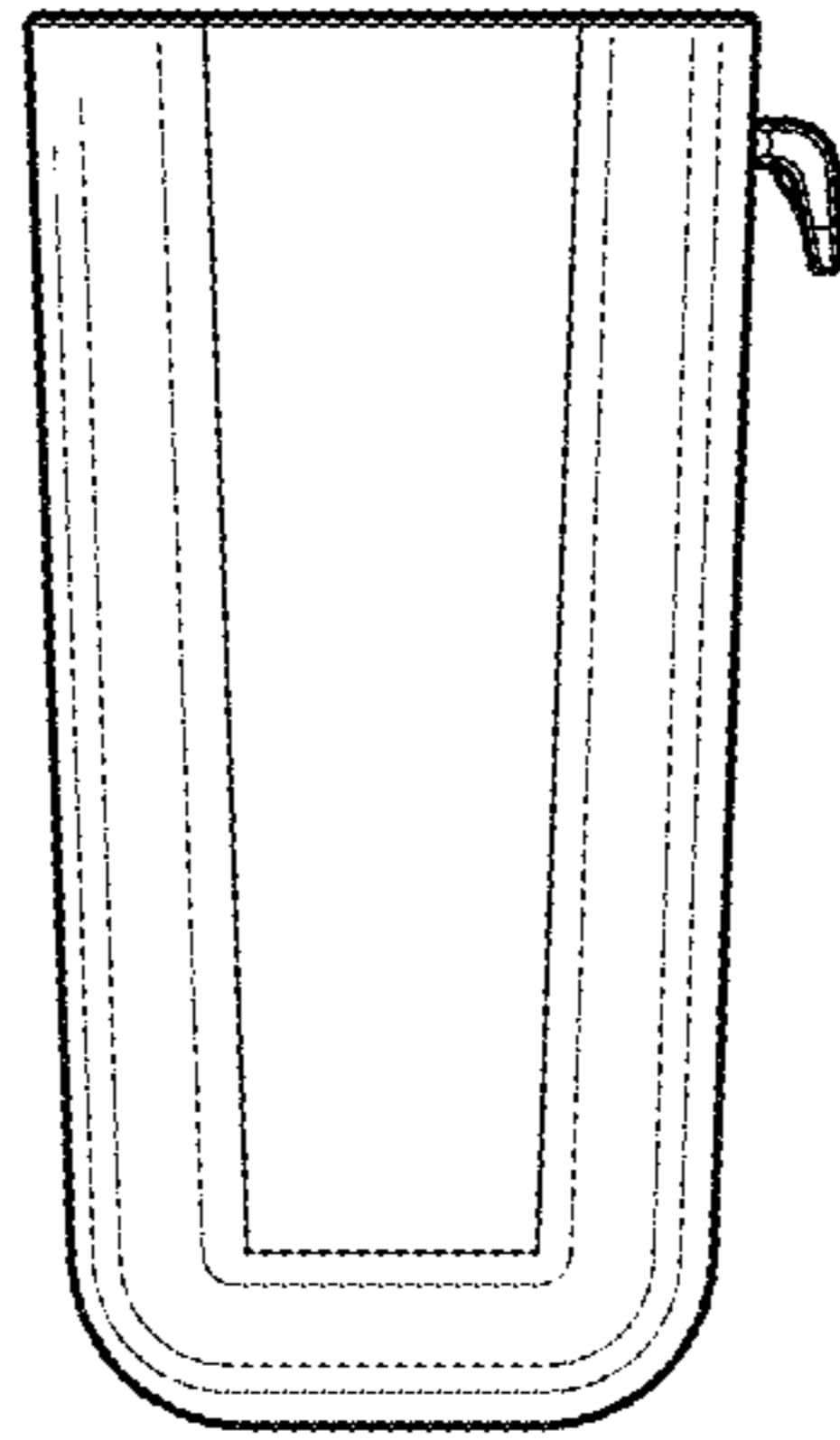


FIG. 13

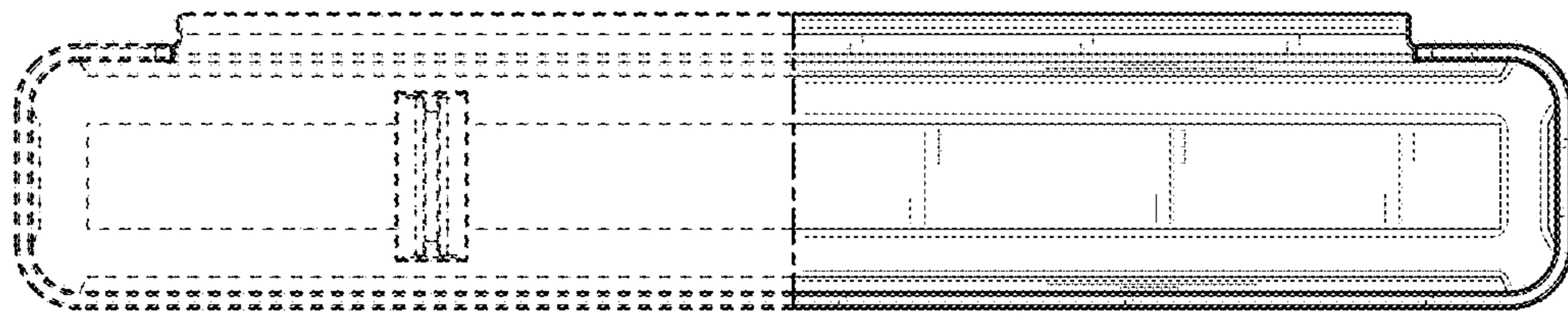


FIG. 14

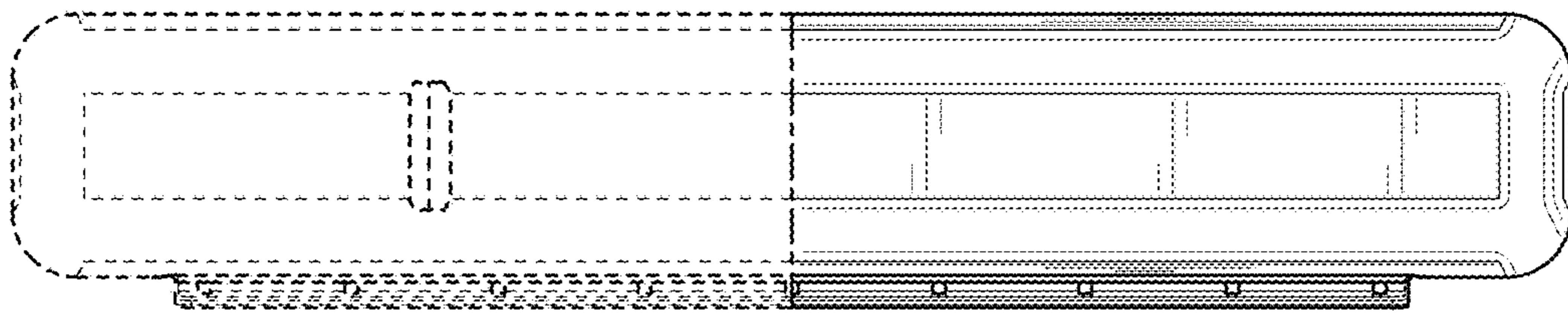


FIG. 15

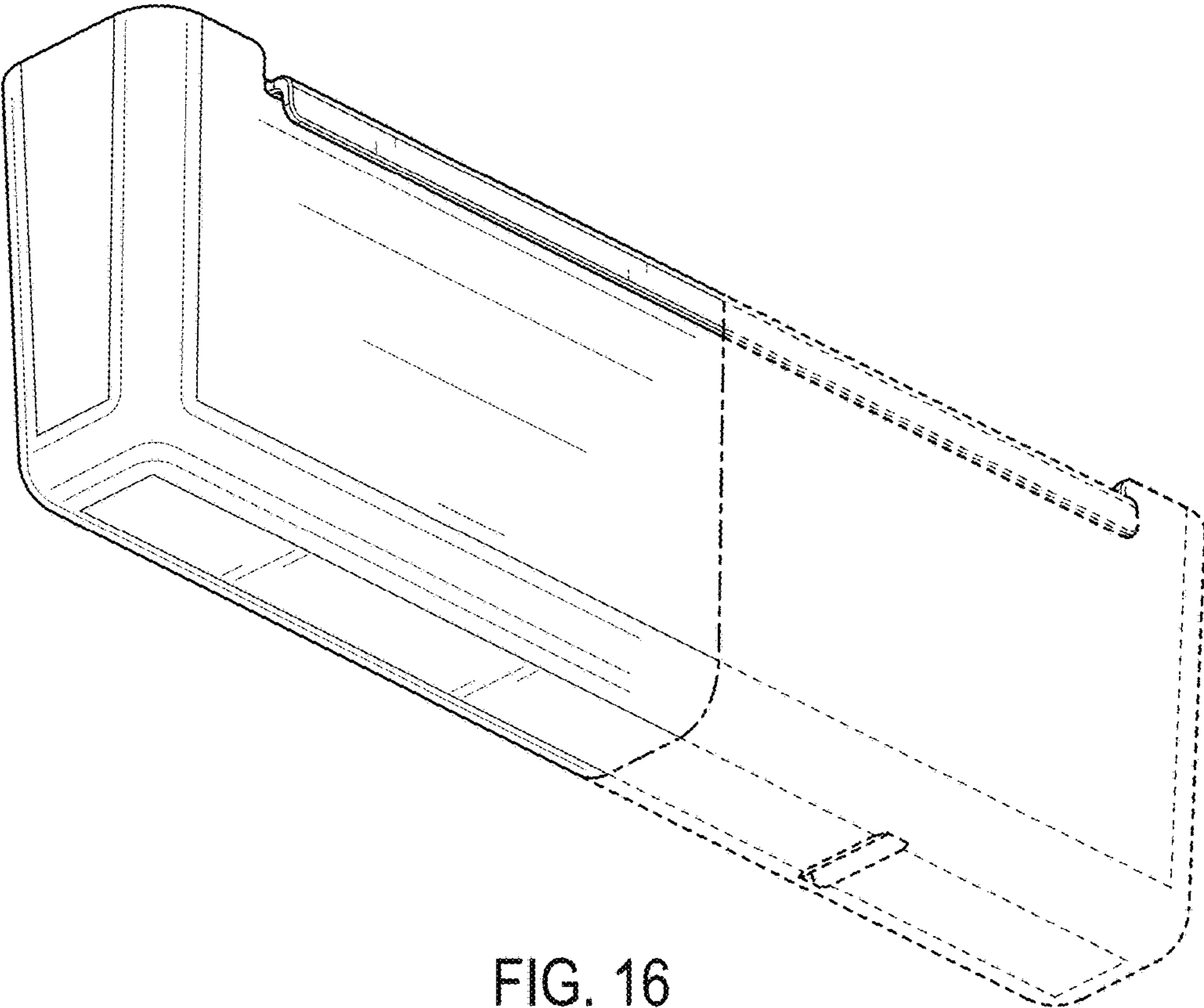


FIG. 16