

US00D871069S

(12) **United States Design Patent** (10) **Patent No.:** **US D871,069 S**
Carlson (45) **Date of Patent:** **** Dec. 31, 2019**

(54) **FOOD PROCESSOR ACCESSORY CASE**

(71) Applicant: **Hamilton Beach Brands, Inc.**, Glen Allen, VA (US)

(72) Inventor: **Drew Carlson**, Henrico, VA (US)

(73) Assignee: **Hamilton Beach Brands, Inc.**, Glen Allen, VA (US)

(**) Term: **15 Years**

(21) Appl. No.: **29/657,966**

(22) Filed: **Jul. 26, 2018**

(51) **LOC (12) Cl.** **03-01**

(52) **U.S. Cl.**
USPC **D3/294**

(58) **Field of Classification Search**
USPC D3/272, 273, 274, 275, 276, 281, 284,
D3/292, 294, 306; D9/414, 418,
D9/420-423, 432
CPC .. A45C 5/00; A45C 5/04; A45C 11/00; A45C
11/16
See application file for complete search history.

(56) **References Cited**

U.S. PATENT DOCUMENTS

2,628,752 A	2/1953	Corkish	
3,073,579 A	1/1963	Fallowes et al.	
3,758,183 A	9/1973	Steinkamp et al.	
D322,031 S *	12/1991	Fleming	D3/294
5,383,613 A	1/1995	Sundquist	
D369,905 S *	5/1996	Hunt	D3/273
D411,953 S *	7/1999	Wolff	D3/201
D421,545 S	3/2000	Ekstrom	
6,298,776 B1	10/2001	Ekstrom	
D502,807 S *	3/2005	Jaron	D3/273
7,314,308 B2	1/2008	Fallowes et al.	
D561,470 S *	2/2008	Jalet	D3/294
D620,256 S *	7/2010	Fujimura	D3/294

D625,965 S *	10/2010	Maudsley	D3/201
D629,202 S *	12/2010	Wai	D3/201
8,616,763 B2	12/2013	Annis et al.	
8,746,957 B2	6/2014	Garman et al.	
D747,606 S *	1/2016	Serell	D3/203.2
9,480,365 B2	11/2016	Allen	
D814,791 S *	4/2018	Zhang	D3/294
D816,994 S *	5/2018	Fischer	D3/294
D851,913 S *	6/2019	Yu	D3/201
2002/0096585 A1	7/2002	Unteregger	
2007/0108087 A1	5/2007	Leung	
2012/0120755 A1	5/2012	Fallowes et al.	
2016/0174771 A1	6/2016	Benoit et al.	

* cited by examiner

Primary Examiner — Holly E Thurman

(74) *Attorney, Agent, or Firm* — Alexander D. Raring

(57) **CLAIM**

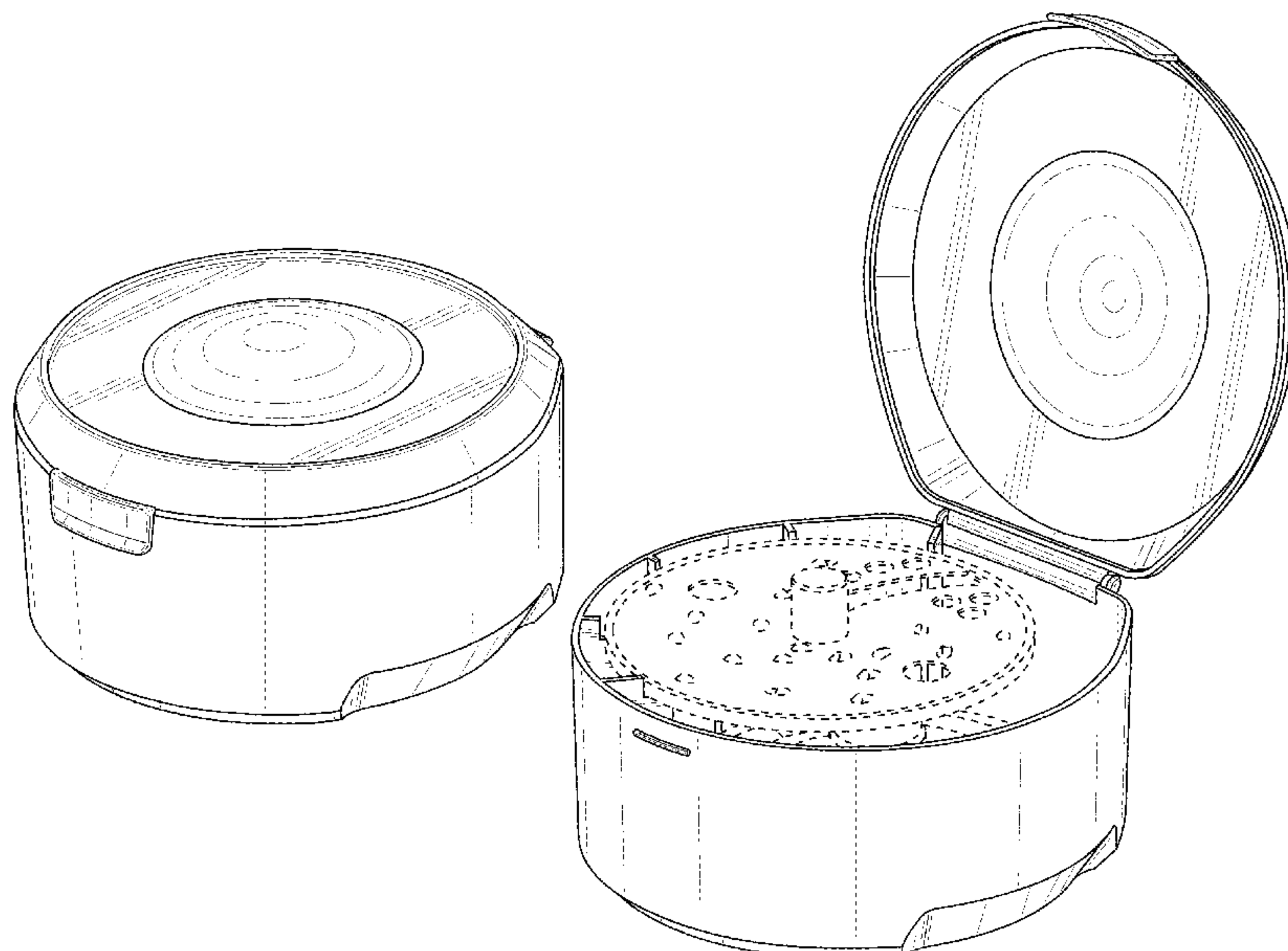
The ornamental design for a food processor accessory case, as shown and described.

DESCRIPTION

FIG. 1 is a top, front and right side perspective view of an accessory case showing my new design;
FIG. 2 a bottom, rear, and right side perspective view thereof;
FIG. 3 is a front view thereof;
FIG. 4 is a rear view thereof;
FIG. 5 is a left side view thereof;
FIG. 6 is a right side view thereof;
FIG. 7 is a top view thereof;
FIG. 8 is a bottom view thereof; and,
FIG. 9 illustrates the accessory case in an open position as seen from the top, front and right side perspective view thereof.

Broken lines illustrate environmental structure. The broken lines in the drawings are included for illustrative purposes only and form no part of the claimed design.

1 Claim, 9 Drawing Sheets



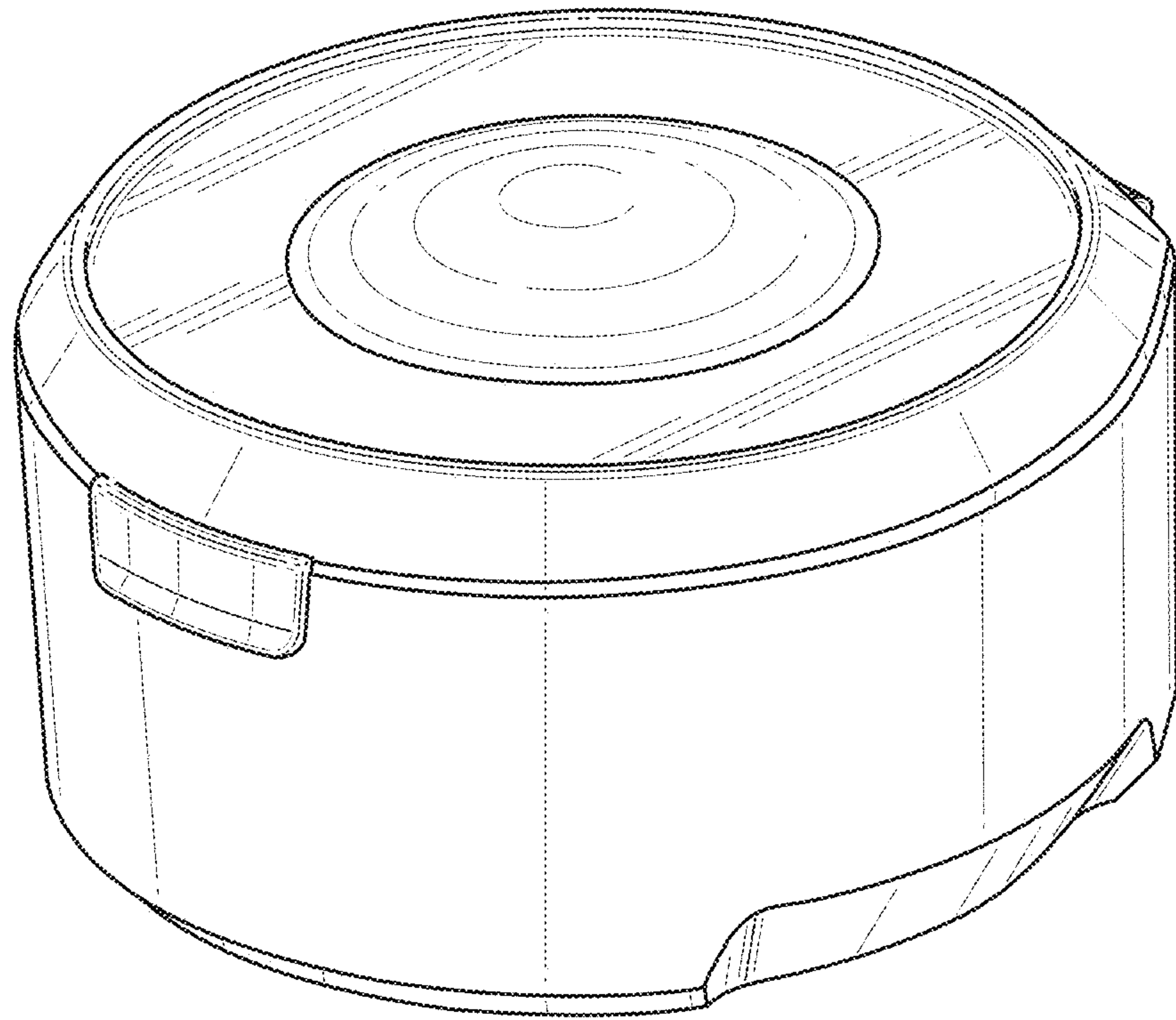


FIG. 1

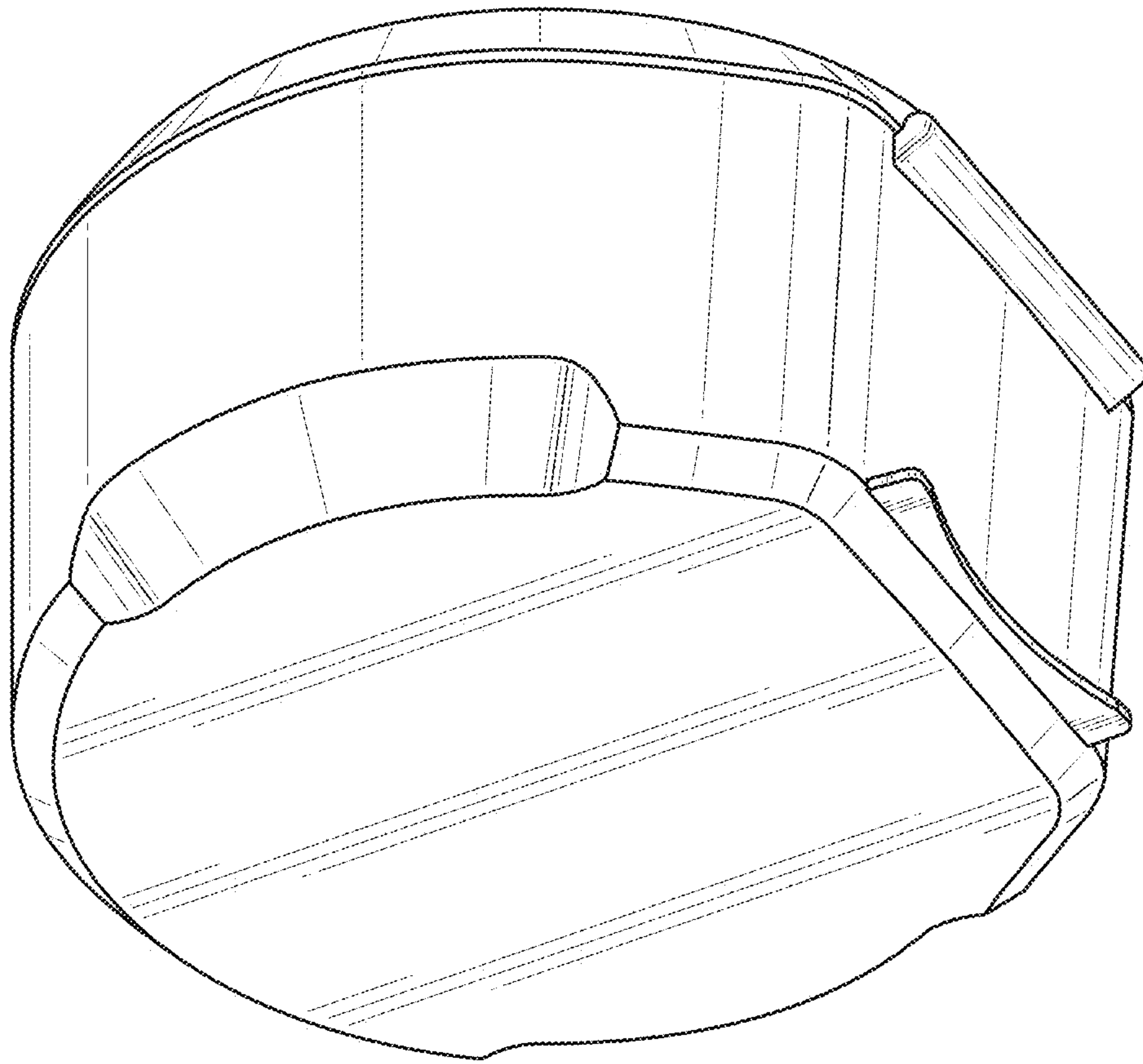


FIG. 2

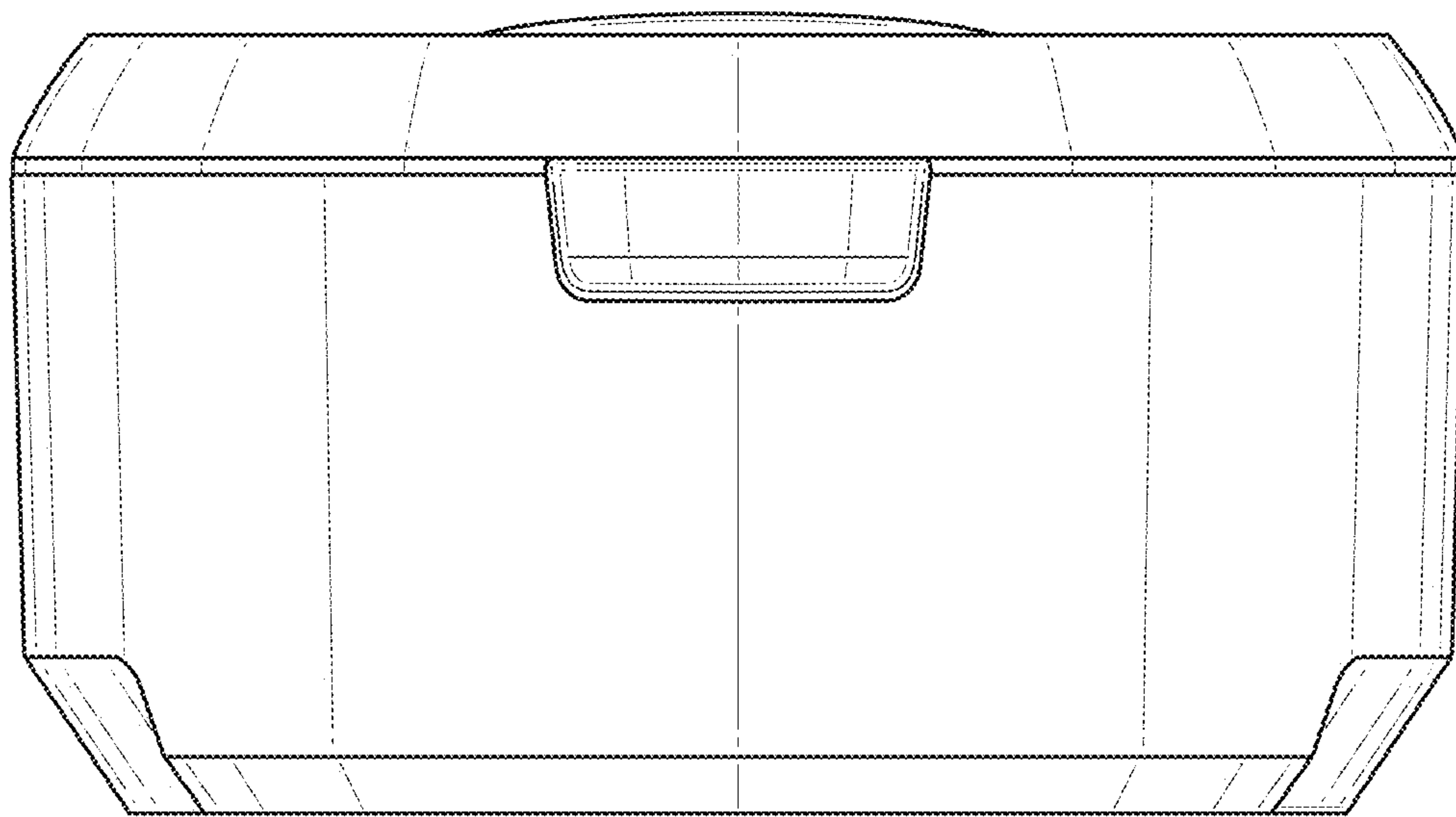


FIG. 3

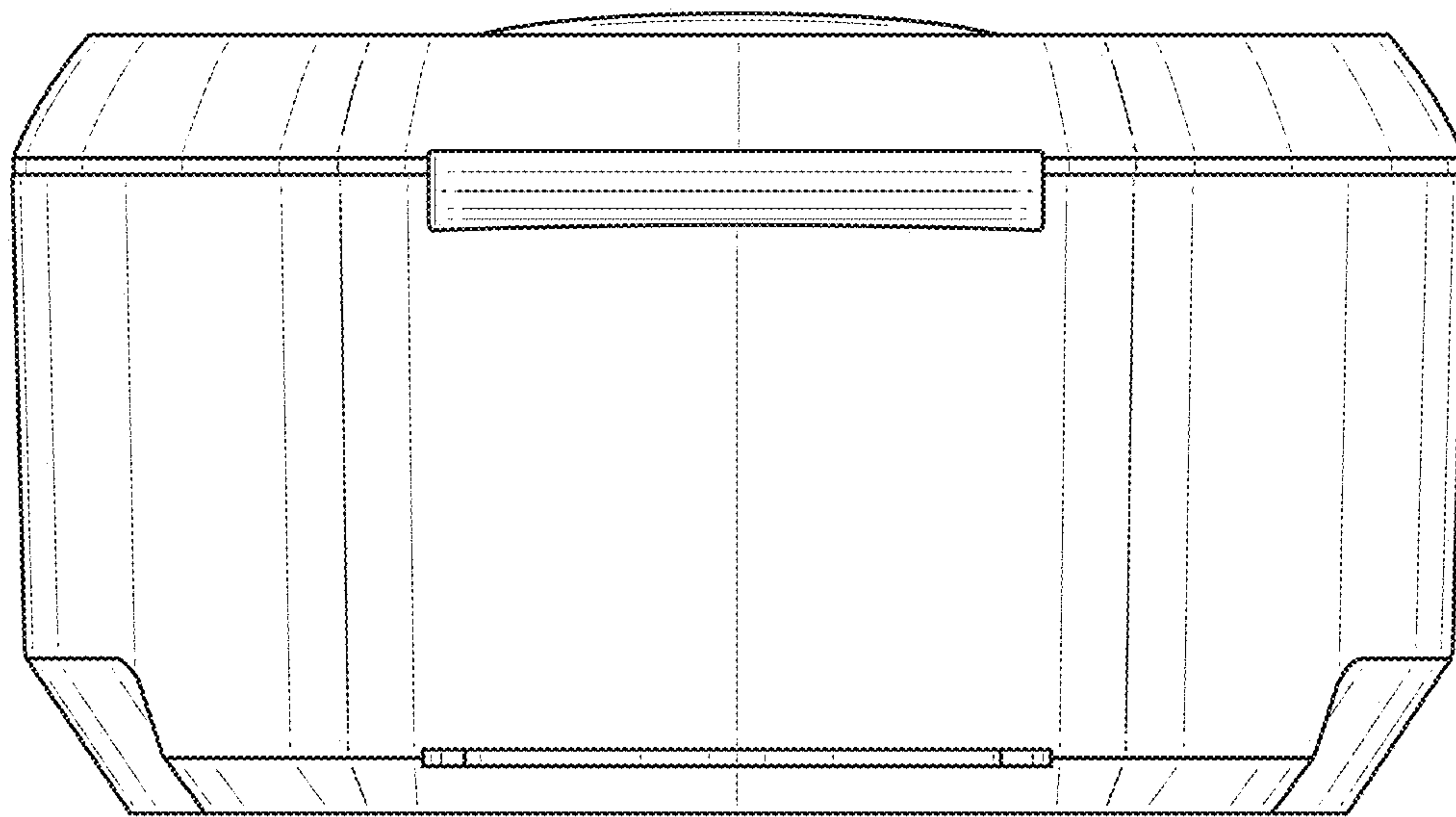


FIG. 4

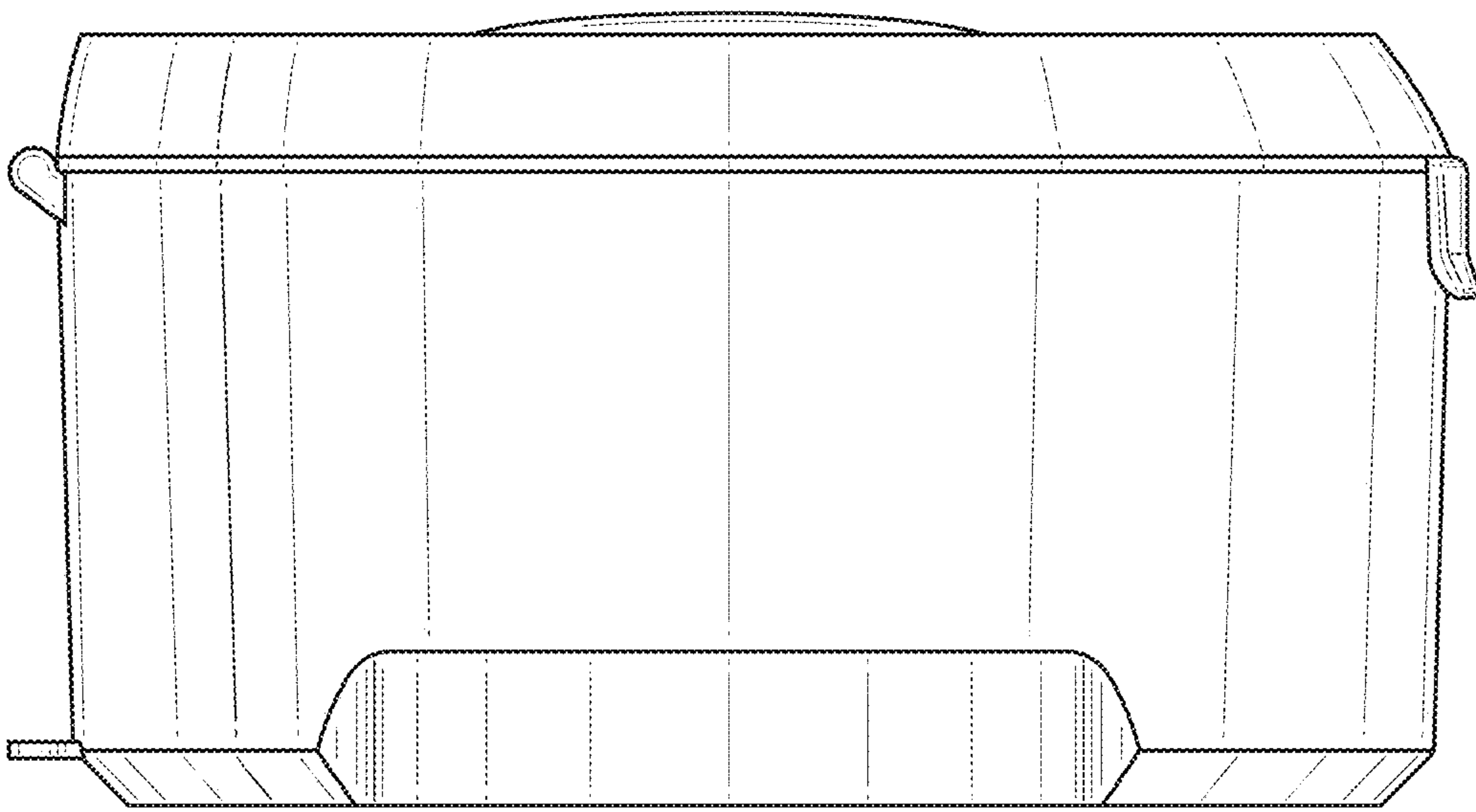


FIG. 5

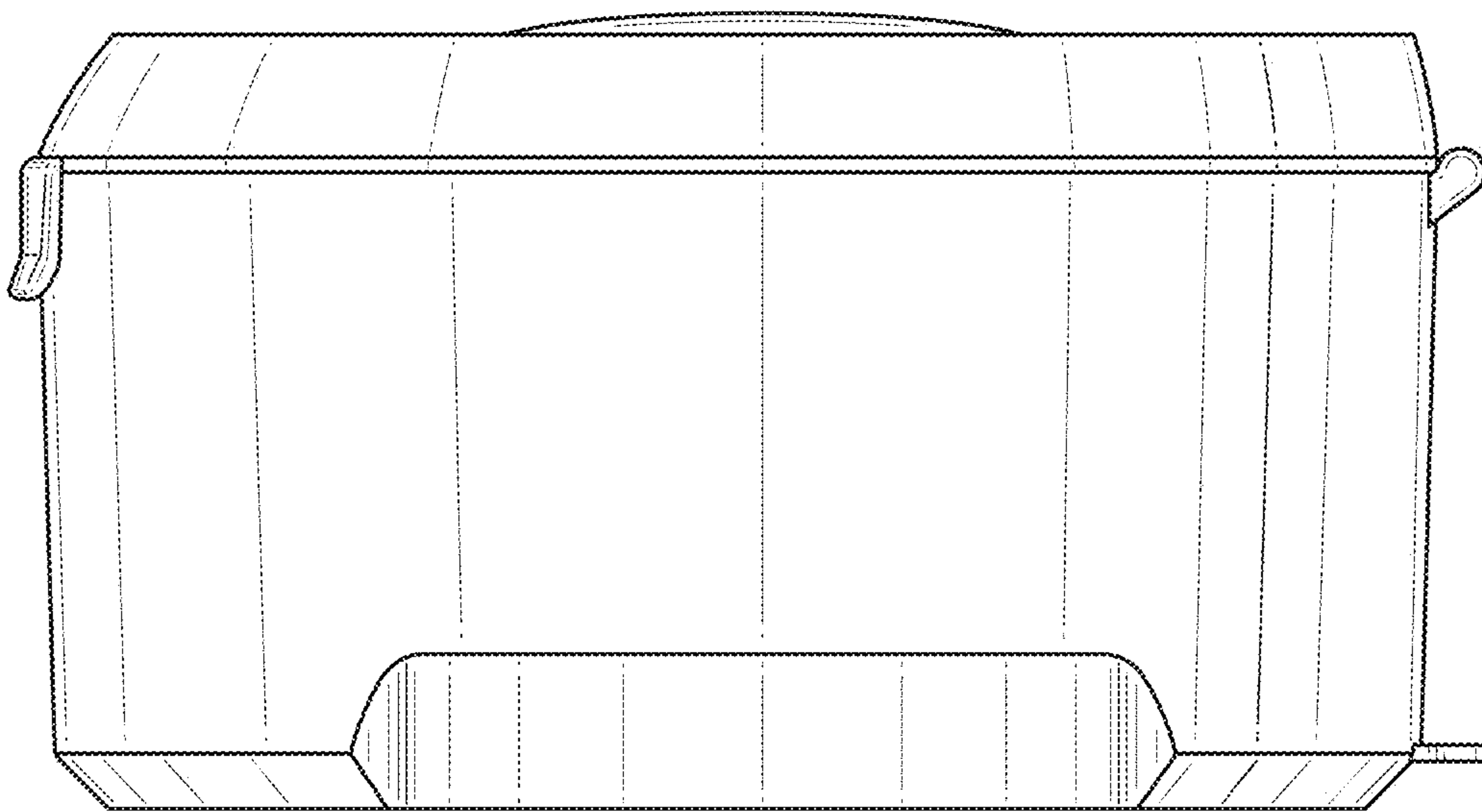


FIG. 6

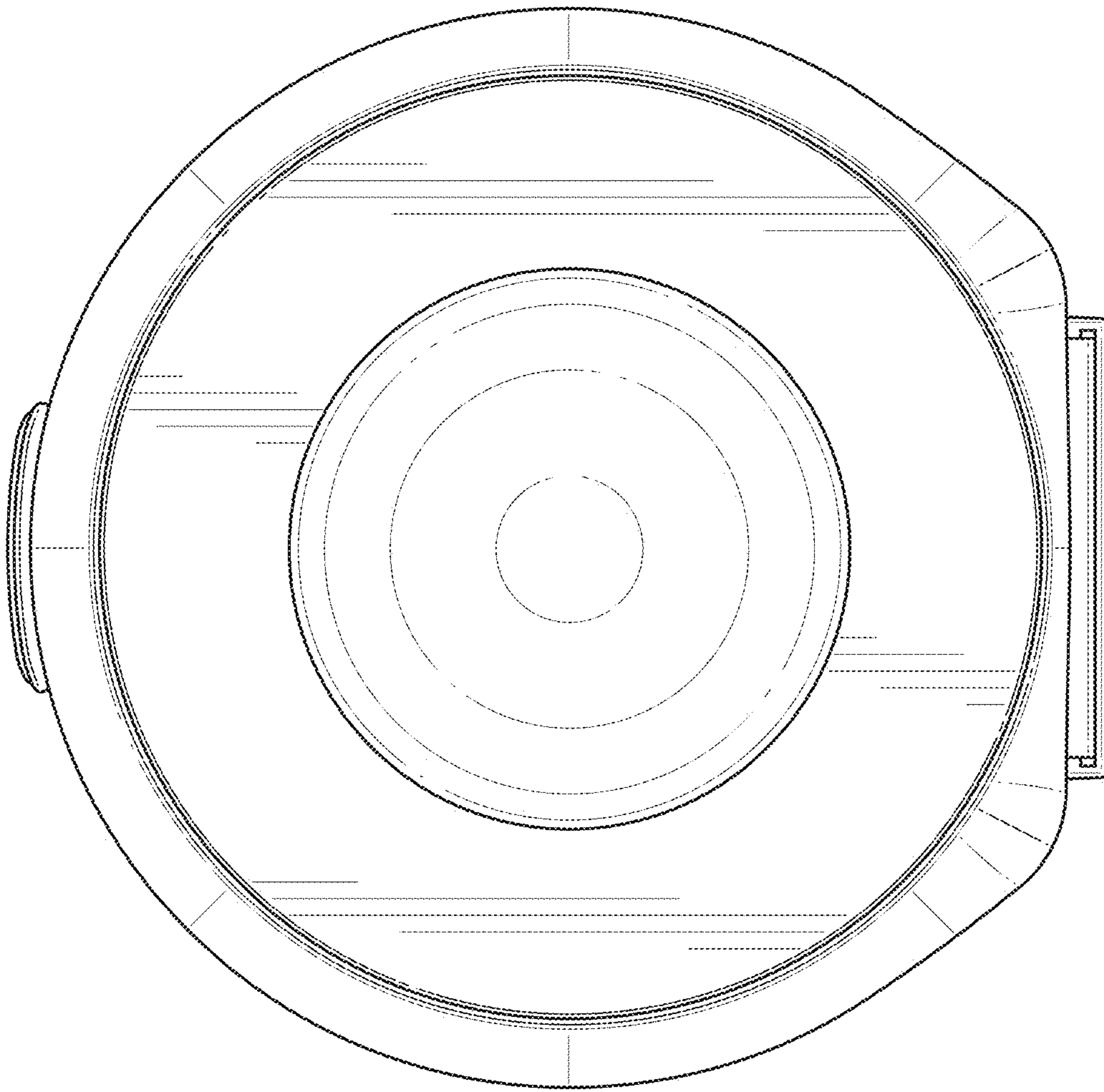


FIG. 7

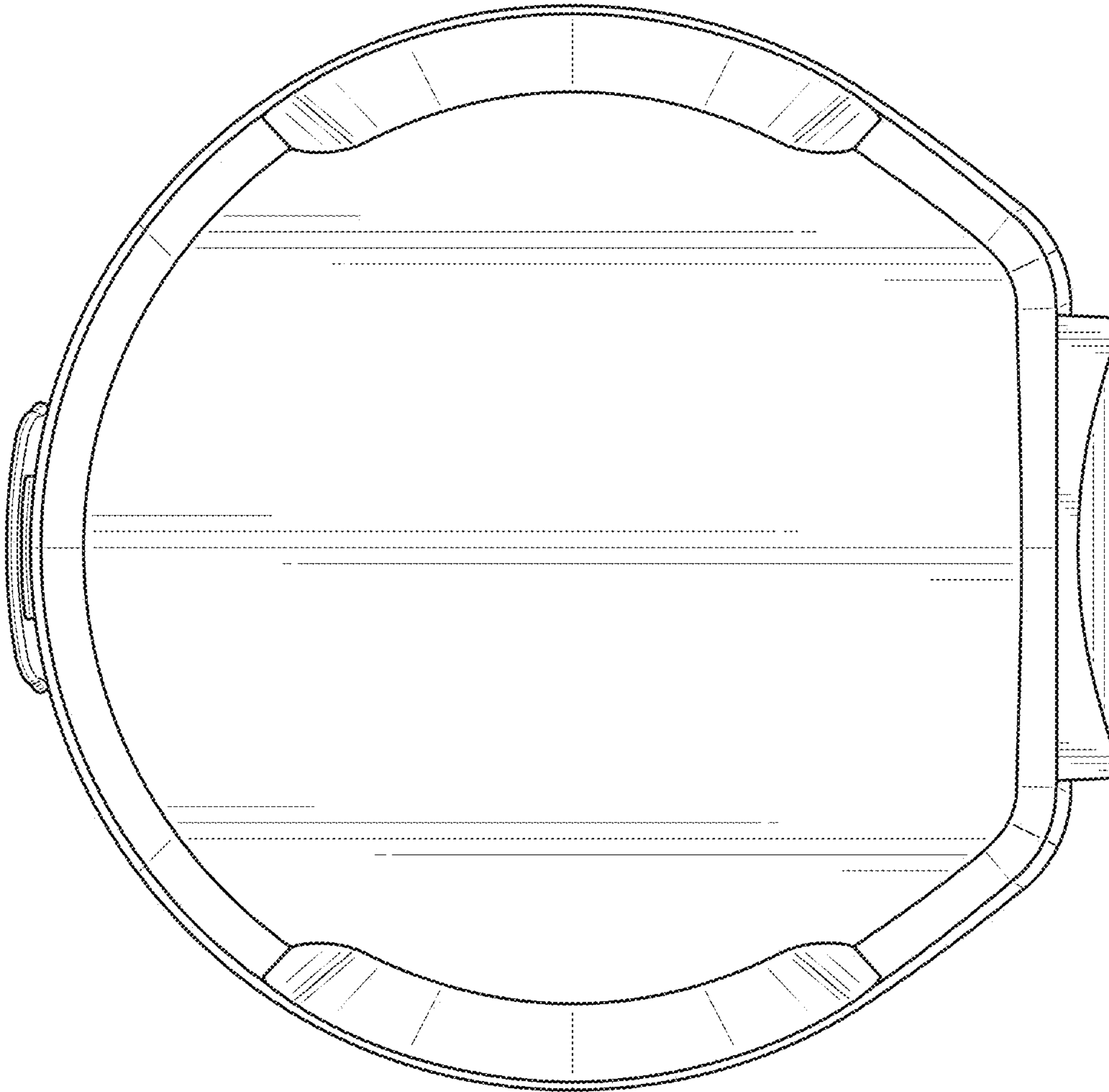


FIG. 8

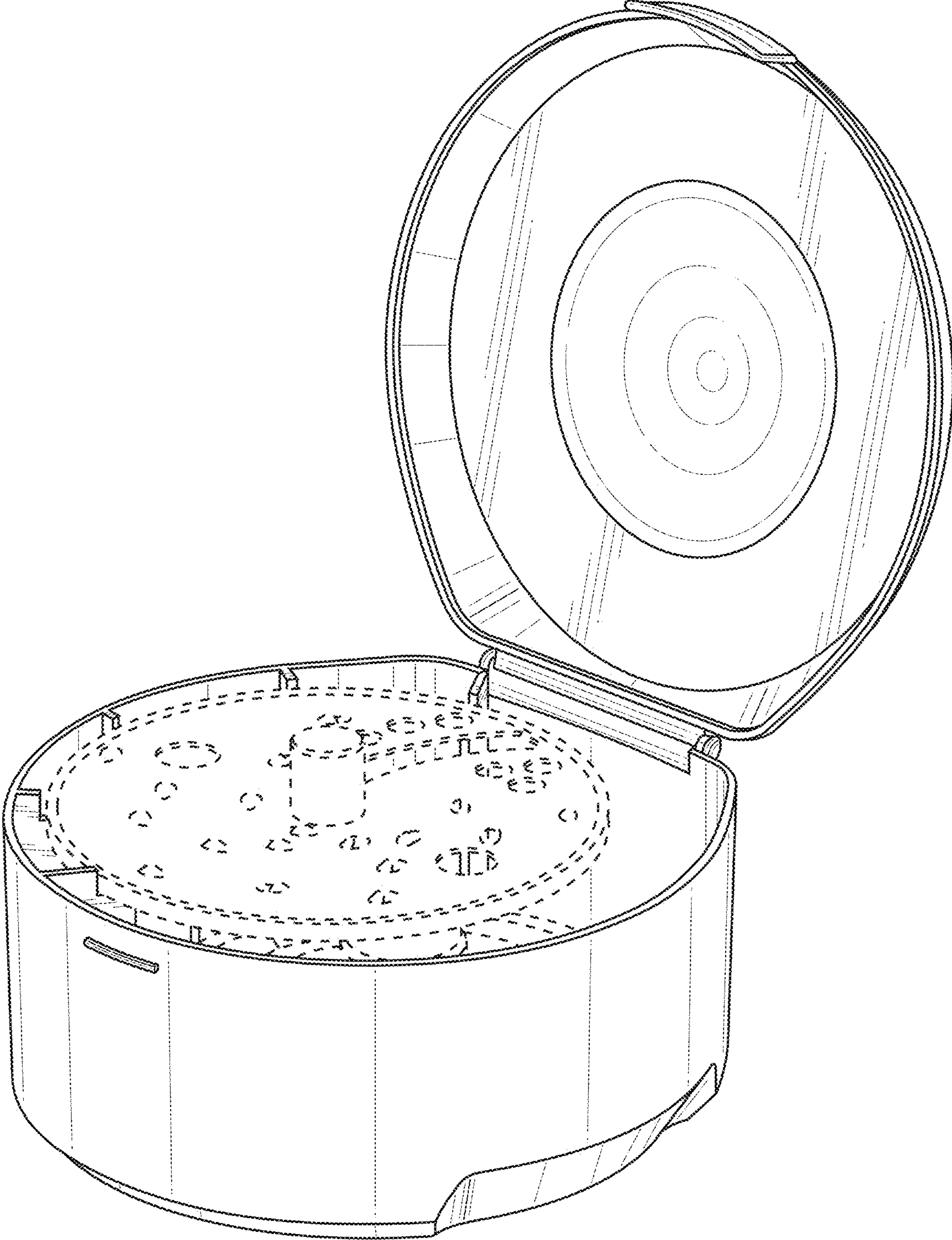


FIG. 9