



US00D871068S

(12) **United States Design Patent**
Hwang et al.

(10) **Patent No.:** **US D871,068 S**

(45) **Date of Patent:** **** Dec. 31, 2019**

- (54) **FREIGHT CONTAINER**
- (71) Applicants: **VANPLUS CORPORATION**, Seoul (KR); **H&P LOGIS INC.**, Seoul (KR)
- (72) Inventors: **Se In Hwang**, Seoul (KR); **Uk Her**, Seoul (KR)
- (73) Assignees: **VANPLUS CORPORATION**, Seoul (KR); **H&P LOGIS INC.**, Seoul (KR)

D336,152 S *	6/1993	Bunger	D3/201
D336,157 S *	6/1993	Bunger	D3/201
D336,158 S *	6/1993	Bunger	D3/201
D363,162 S *	10/1995	Bunger	D3/272
D370,780 S *	6/1996	Bunger	D3/272
D403,153 S *	12/1998	Martineau	D3/272
D426,382 S *	6/2000	Martineau	D3/272
D472,704 S *	4/2003	Bruderer	D3/273
D764,796 S *	8/2016	Urrea	D3/272
D802,301 S *	11/2017	Vollmer	D3/272
D802,302 S *	11/2017	Vollmer	D3/272

- (**) Term: **15 Years**
- (21) Appl. No.: **35/504,734**
- (22) Filed: **Sep. 11, 2017**

* cited by examiner

Primary Examiner — Darlington Ly
 (74) *Attorney, Agent, or Firm* — Novick, Kim & Lee, PLLC; Sang Ho Lee; Hyun Woo Shin

- (80) **Hague Agreement Data**
 Int. Filing Date: **Sep. 11, 2017**
 Int. Reg. No.: **DM/100437**
 Int. Reg. Date: **Sep. 11, 2017**
 Int. Reg. Pub. Date: **Apr. 13, 2018**

(57) **CLAIM**

The ornamental design for a freight container, as shown and described.

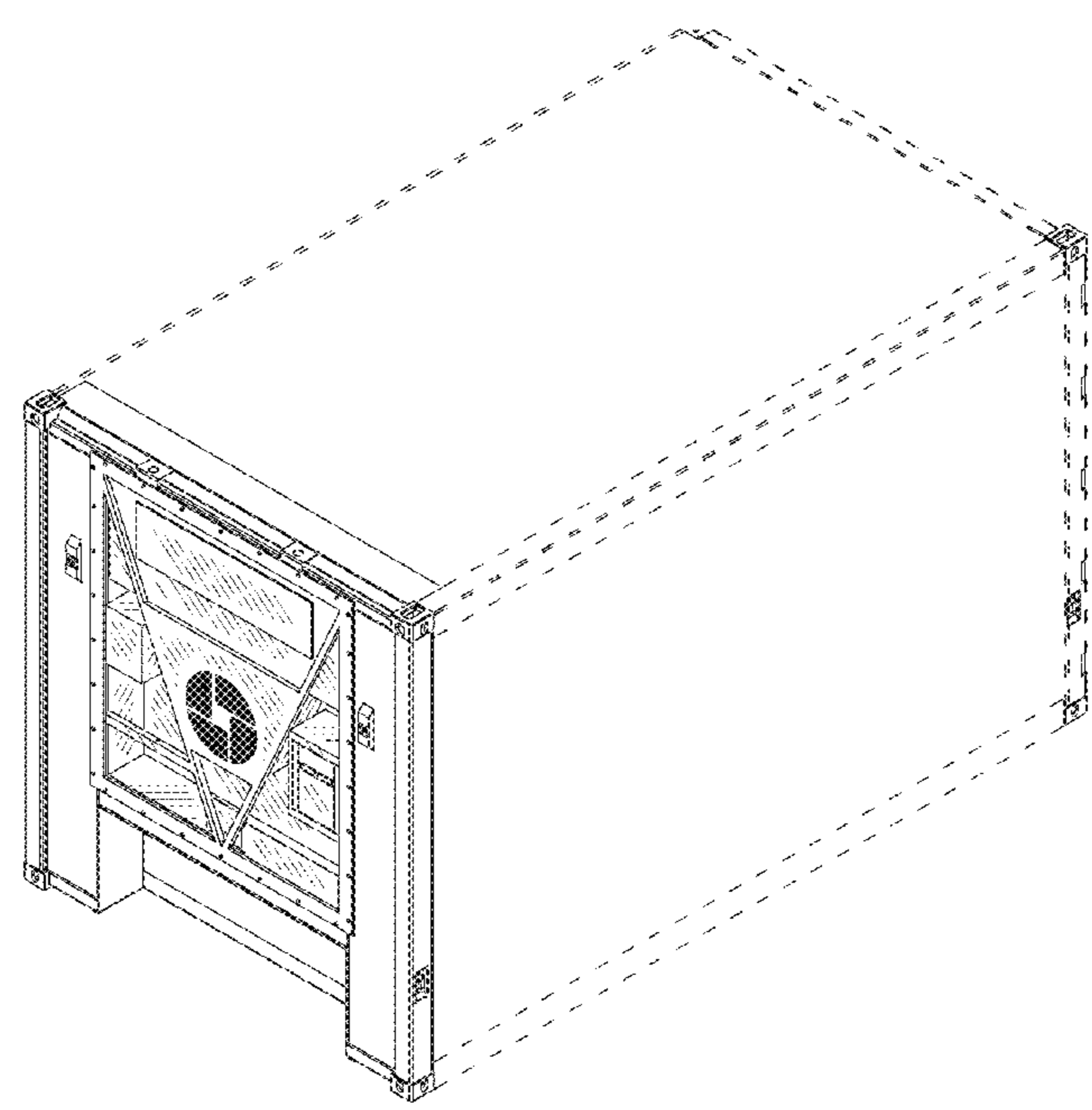
- (51) **LOC (12) Cl.** **03-01**
- (52) **U.S. Cl.**
 USPC **D3/272**
- (58) **Field of Classification Search**
 USPC D3/272, 273, 297, 316, 321, 322;
 D7/605; D9/711; D25/33; D34/1, 38
 CPC B65D 88/00; B65D 88/02; B65D 88/12;
 B65D 88/26; B65D 88/129; B65D
 88/528; B65D 88/542; F25D 2331/804
 See application file for complete search history.

DESCRIPTION

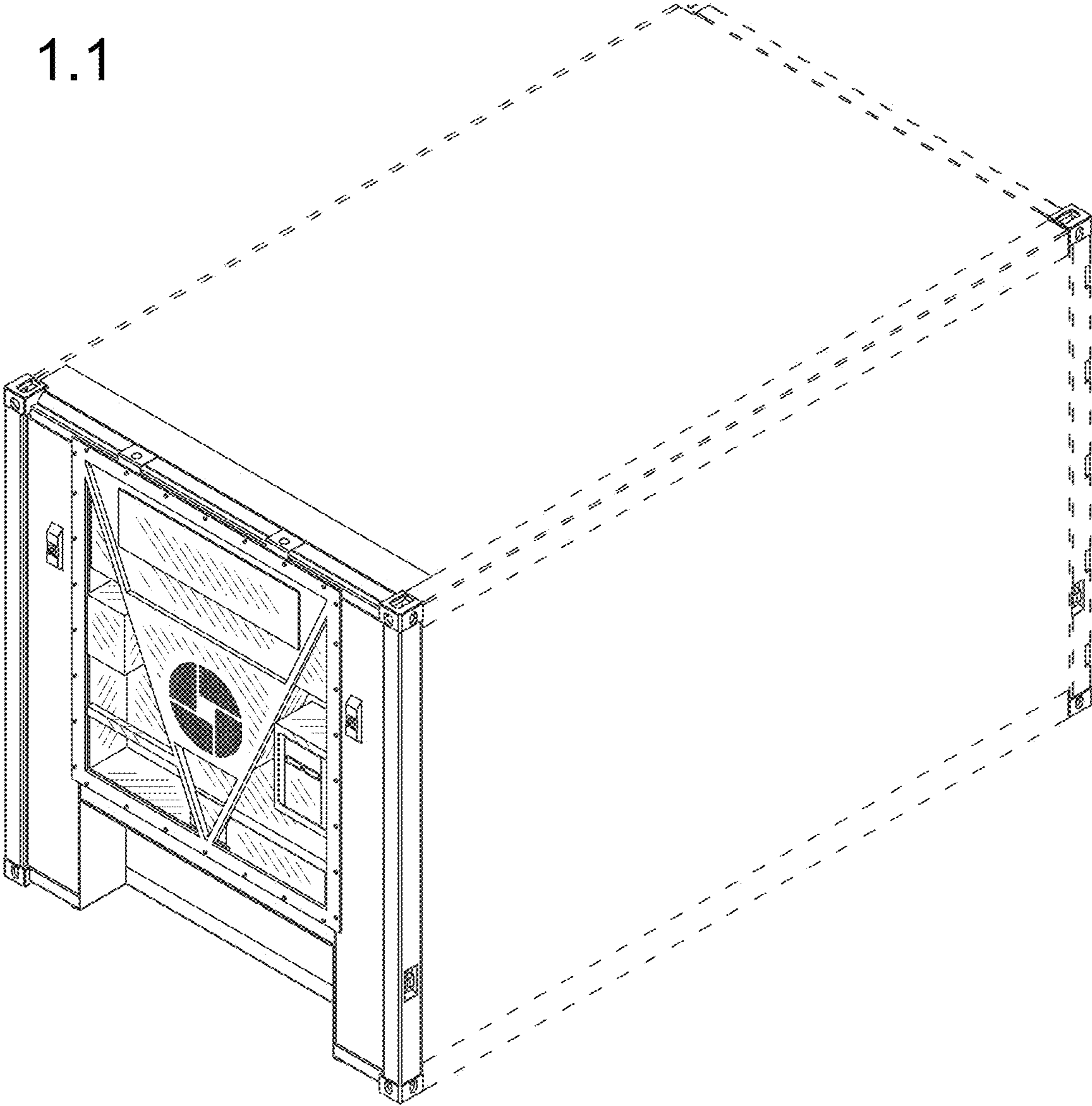
1. Freight container
 1.1 is a perspective view of a freight container showing our new design;
 1.2 is a front elevation view thereof;
 1.3 is a rear elevation view thereof;
 1.4 is a left side elevation view thereof;
 1.5 is a right side elevation view thereof;
 1.6 is a top plan view thereof; and
 1.7 is a bottom plan view thereof.
 The broken lines in the reproductions illustrate portions of the freight container that form no part of the claimed design.

- (56) **References Cited**
 U.S. PATENT DOCUMENTS
 D213,080 S * 12/1968 Detanger D12/14
 D213,156 S * 1/1969 Detanger D12/14

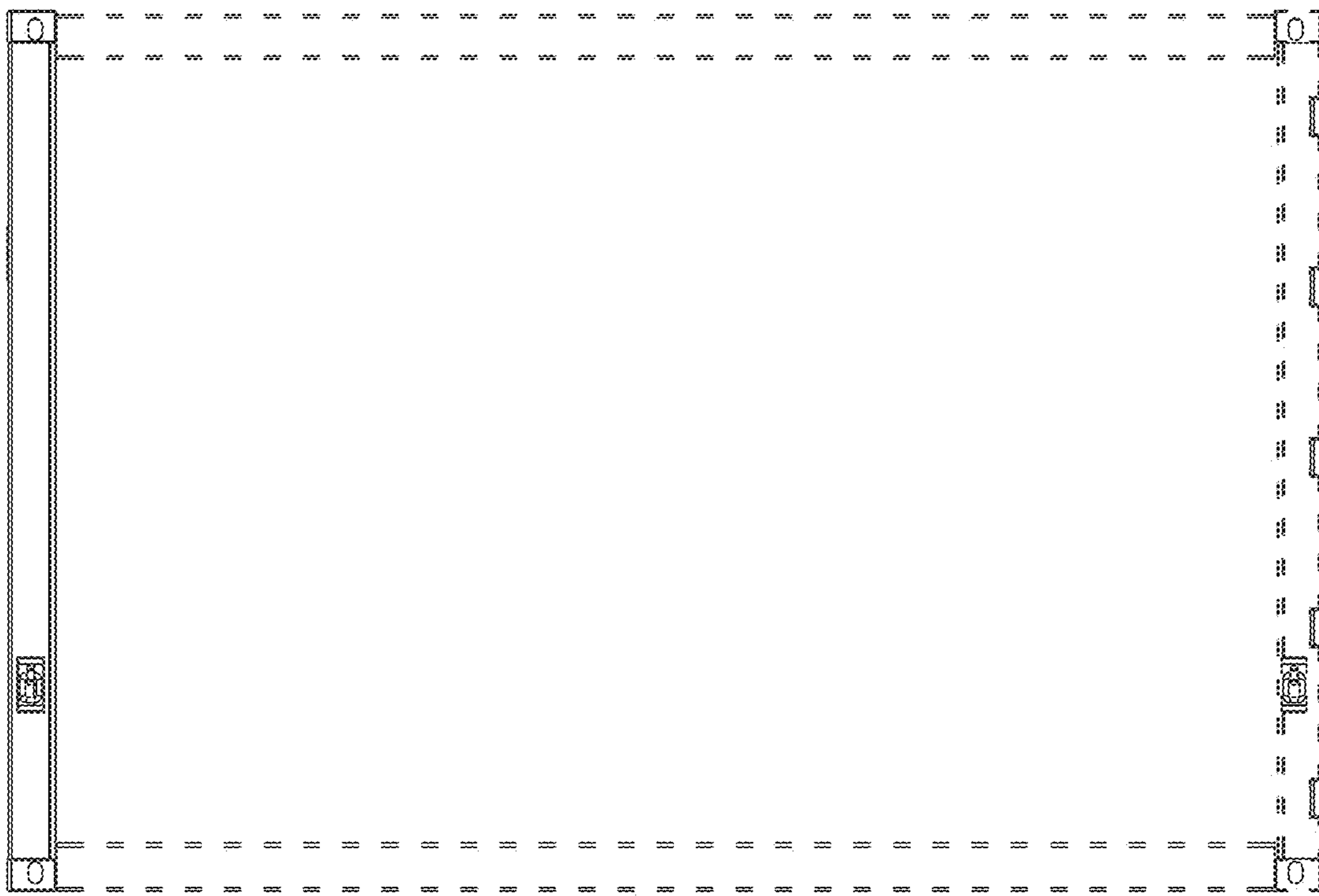
1 Claim, 7 Drawing Sheets



1.1



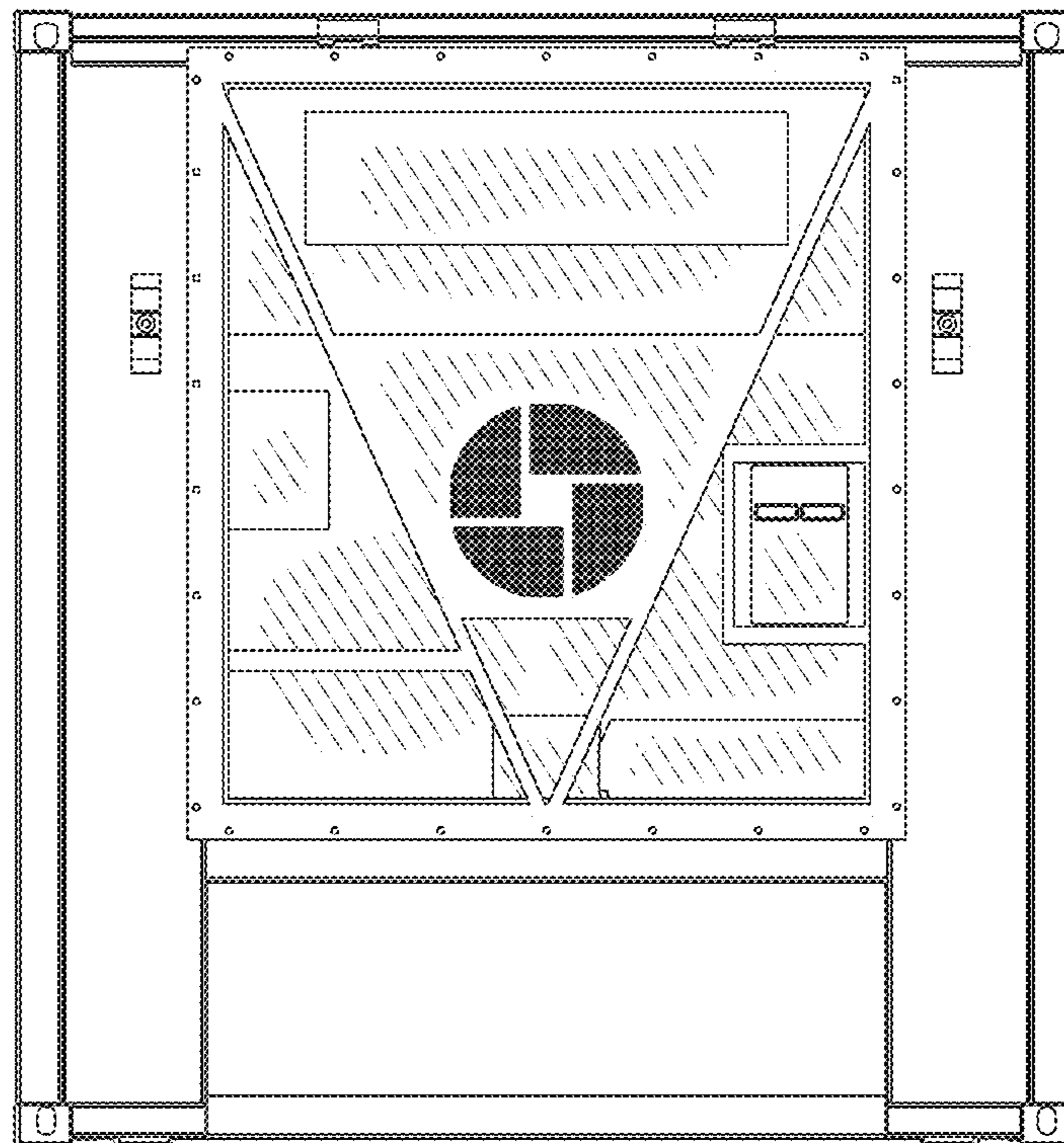
1.2



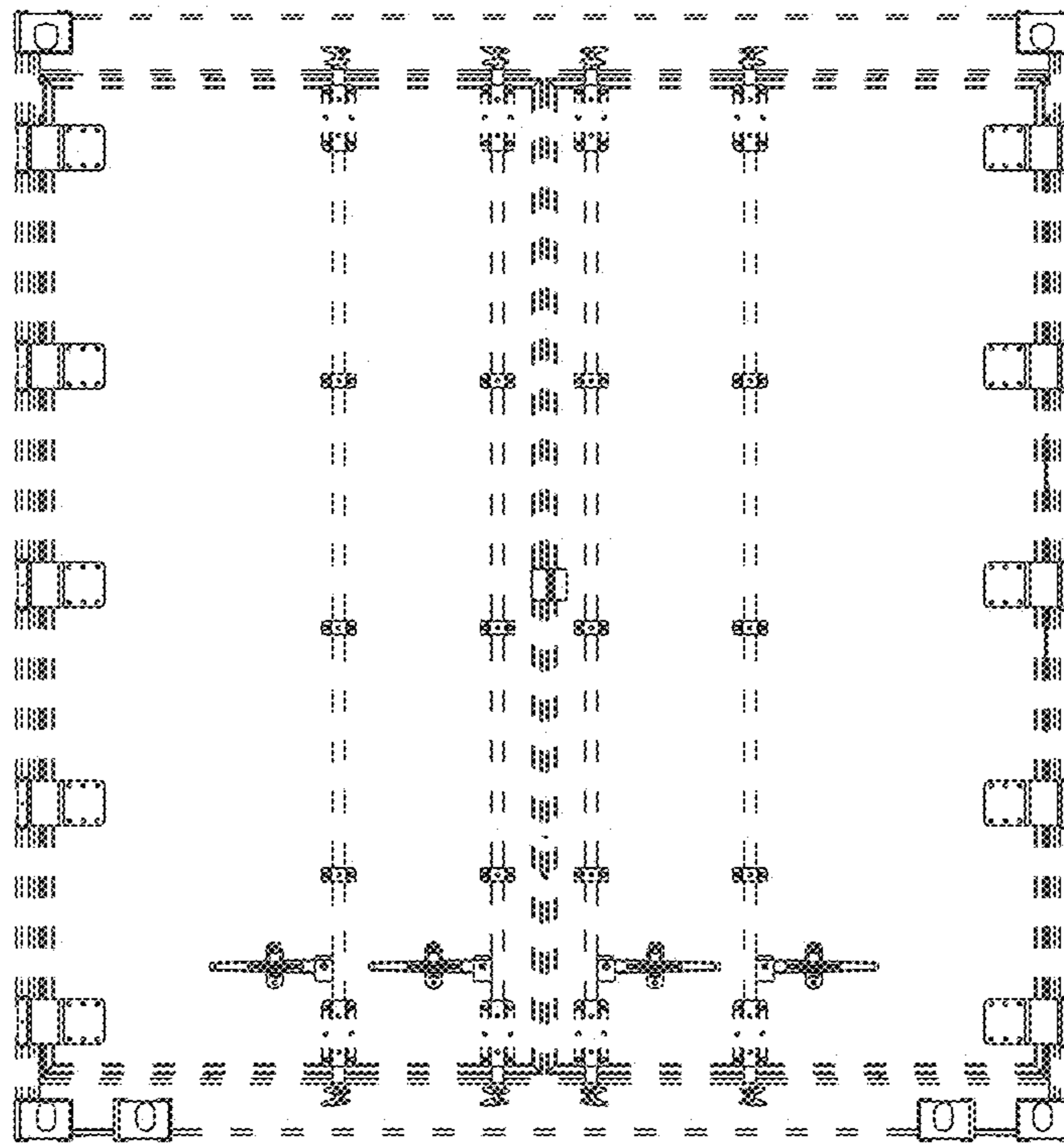
1.3



1.4



1.5



1.6



1.7

