



US00D871067S

(12) **United States Design Patent**  
**Marshall**

(10) **Patent No.:** **US D871,067 S**

(45) **Date of Patent:** **\*\* Dec. 31, 2019**

(54) **GOLF BAG TOP CUFF**

D632,890 S 2/2011 Reimers  
D669,266 S 10/2012 Loudenslager et al.  
D715,055 S \* 10/2014 Bruce ..... D3/255

(71) Applicant: **Acushnet Company**, Fairhaven, MA  
(US)

\* cited by examiner

(72) Inventor: **Duane Marshall**, East Greenwich, RI  
(US)

*Primary Examiner* — Holly H Baynham  
(74) *Attorney, Agent, or Firm* — Daniel W. Sullivan

(73) Assignee: **Acushnet Company**, Fairhaven, MA  
(US)

(57) **CLAIM**

The ornamental design for a golf bag top cuff, as shown and described.

(\*\*) Term: **15 Years**

**DESCRIPTION**

(21) Appl. No.: **29/672,231**

FIG. 1 is a first perspective view of the golf bag top cuff of this invention;

(22) Filed: **Dec. 4, 2018**

FIG. 2 is a front view of the golf bag top cuff of this invention;

(51) **LOC (12) Cl.** ..... **03-01**

FIG. 3 is a first side view of the golf bag top cuff of this invention;

(52) **U.S. Cl.**

USPC ..... **D3/255**

FIG. 4 is a rear view of the golf bag top cuff of this invention;

(58) **Field of Classification Search**

USPC ..... D3/255

CPC ..... A63B 57/00

See application file for complete search history.

FIG. 5 is a second side view of the golf bag top cuff of this invention; and,

FIG. 6 is a top plan view of the golf bag top cuff of this invention.

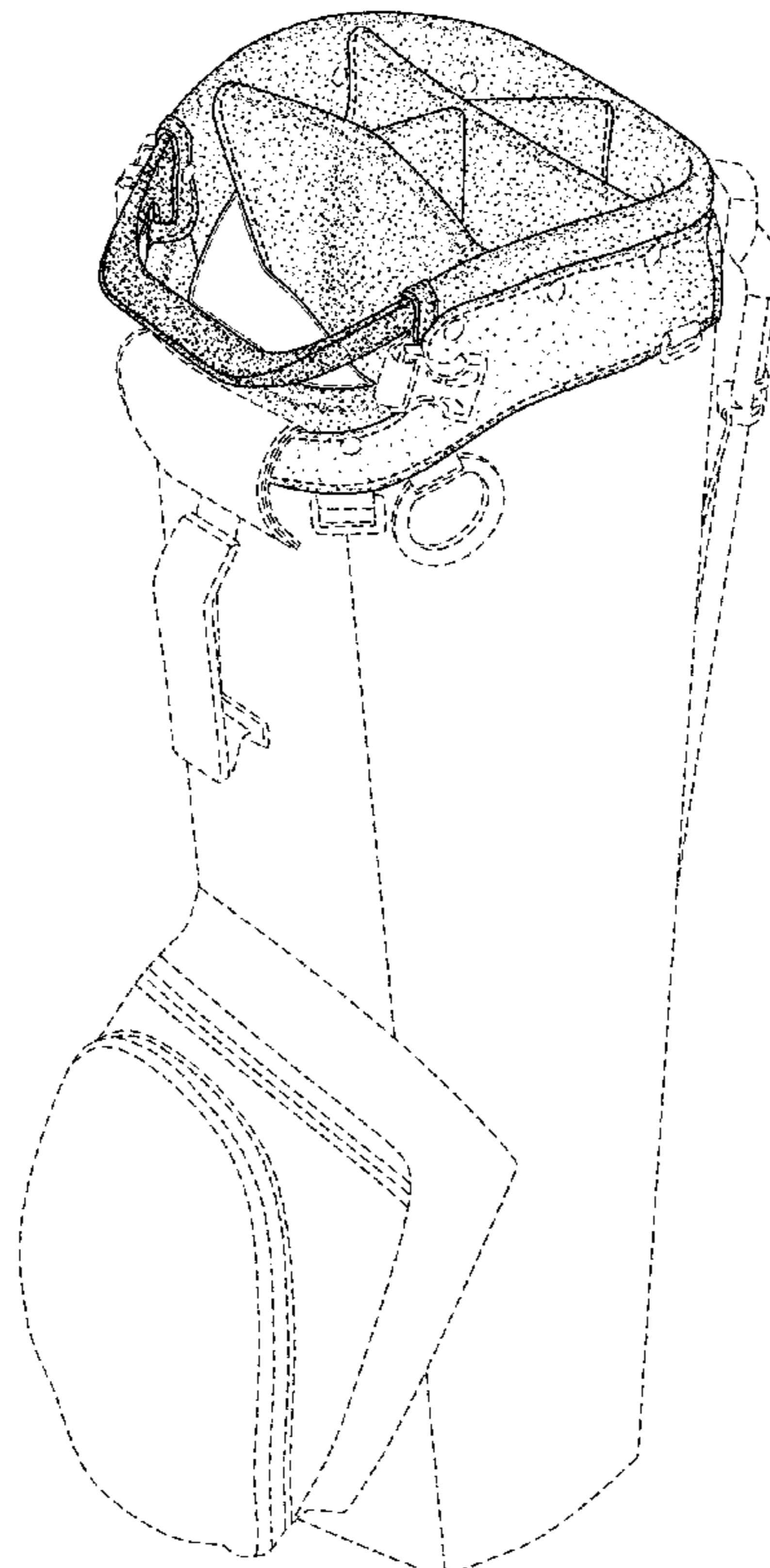
(56) **References Cited**

**U.S. PATENT DOCUMENTS**

6,513,653 B1	2/2003	Chen	
D489,532 S	5/2004	Reimers	
D517,808 S	3/2006	Reimers	
D525,034 S *	7/2006	Vosloo	..... D3/320
D528,799 S *	9/2006	Vosloo	..... D3/320
D537,252 S *	2/2007	Vosloo	..... D3/320

In FIGS. 1-6, the broken lines depict unclaimed portions of the golf bag. The broken lines visible on the surface of the top cuff of the golf bag in FIGS. 1-6 represent claimed stitching. The dot-dashed boundary line visible in FIGS. 1 and 6 represents the bounds of the claim and forms no part of the claimed design.

**1 Claim, 4 Drawing Sheets**



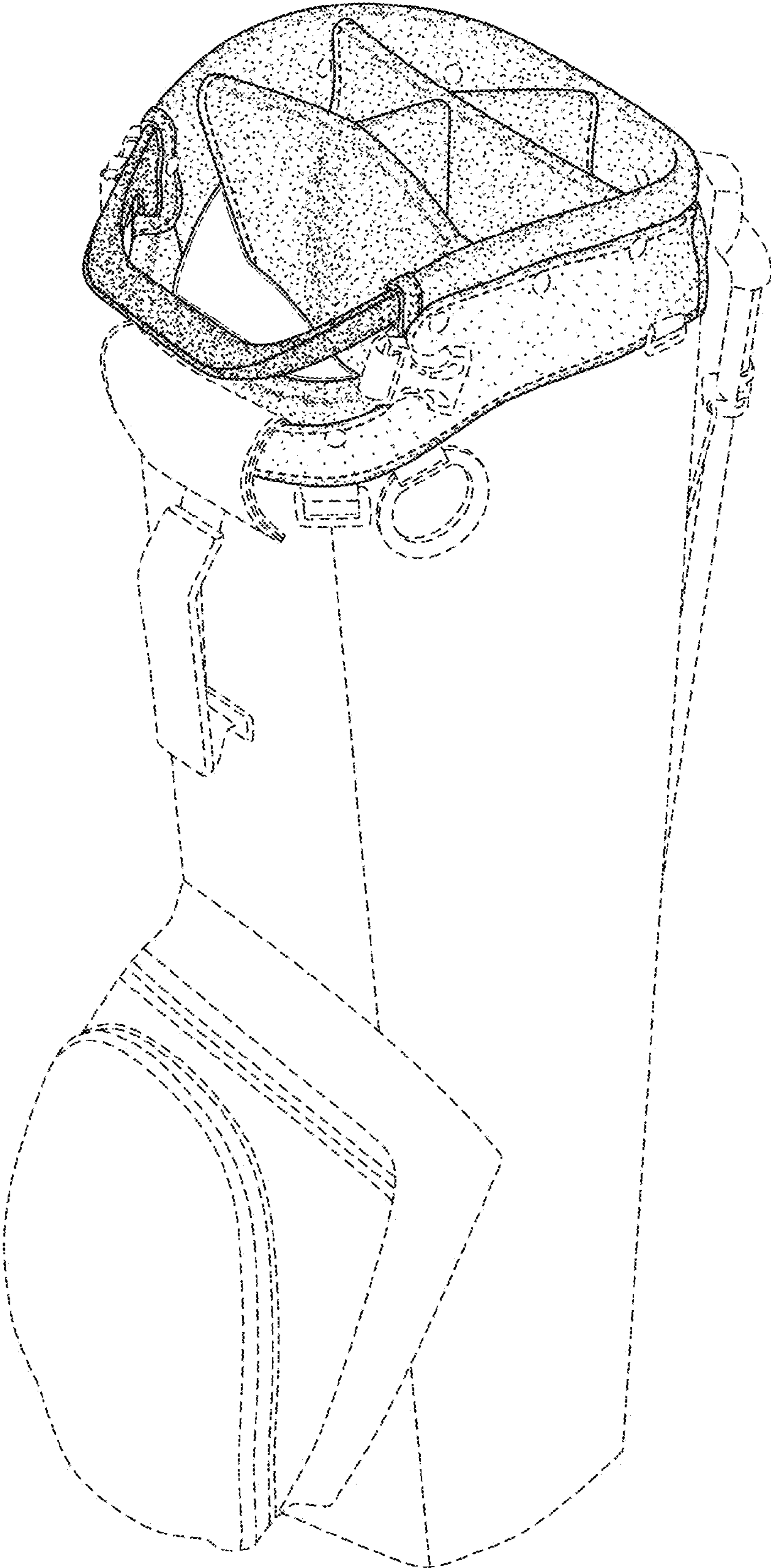


FIG. 1



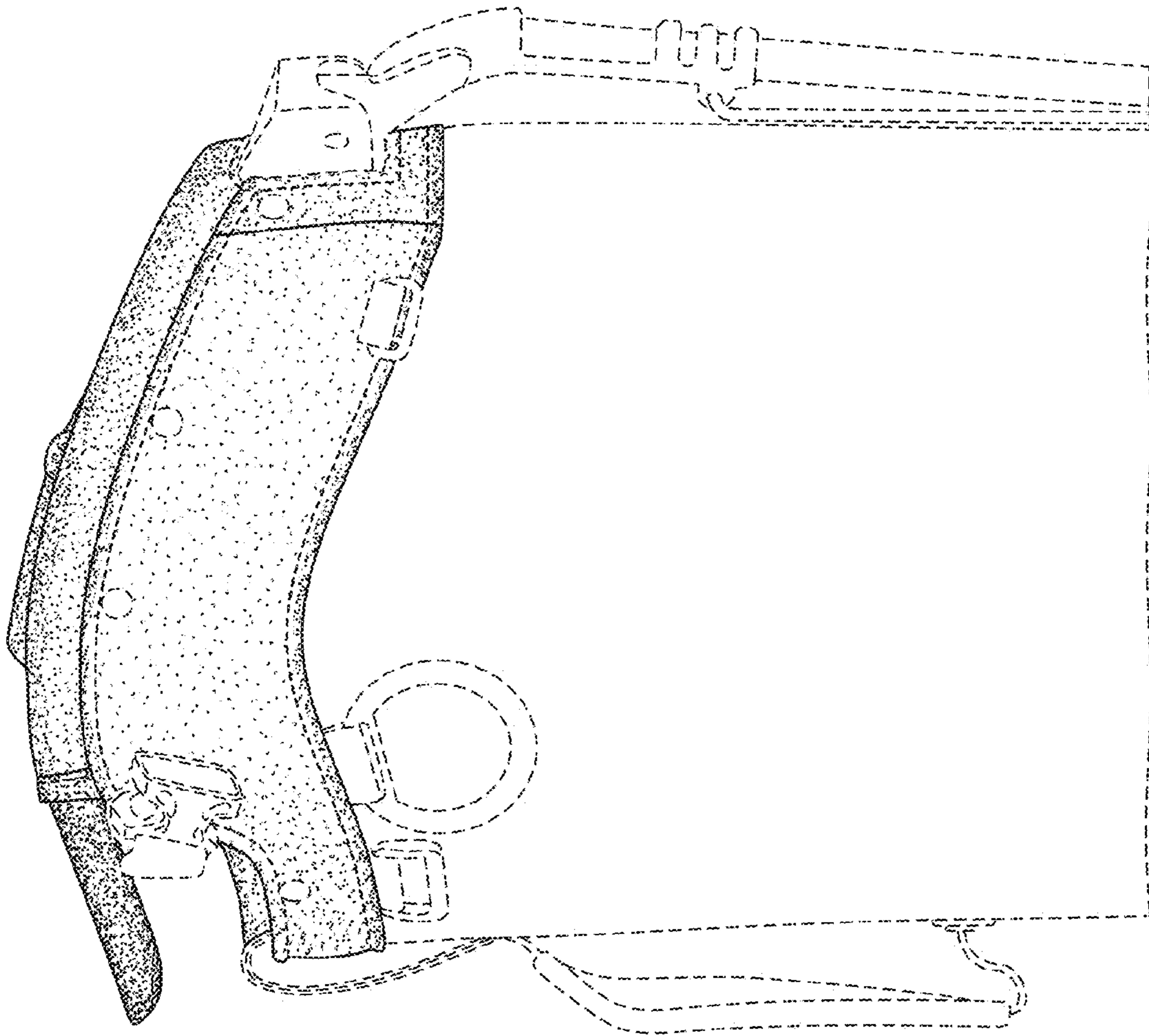


FIG. 3

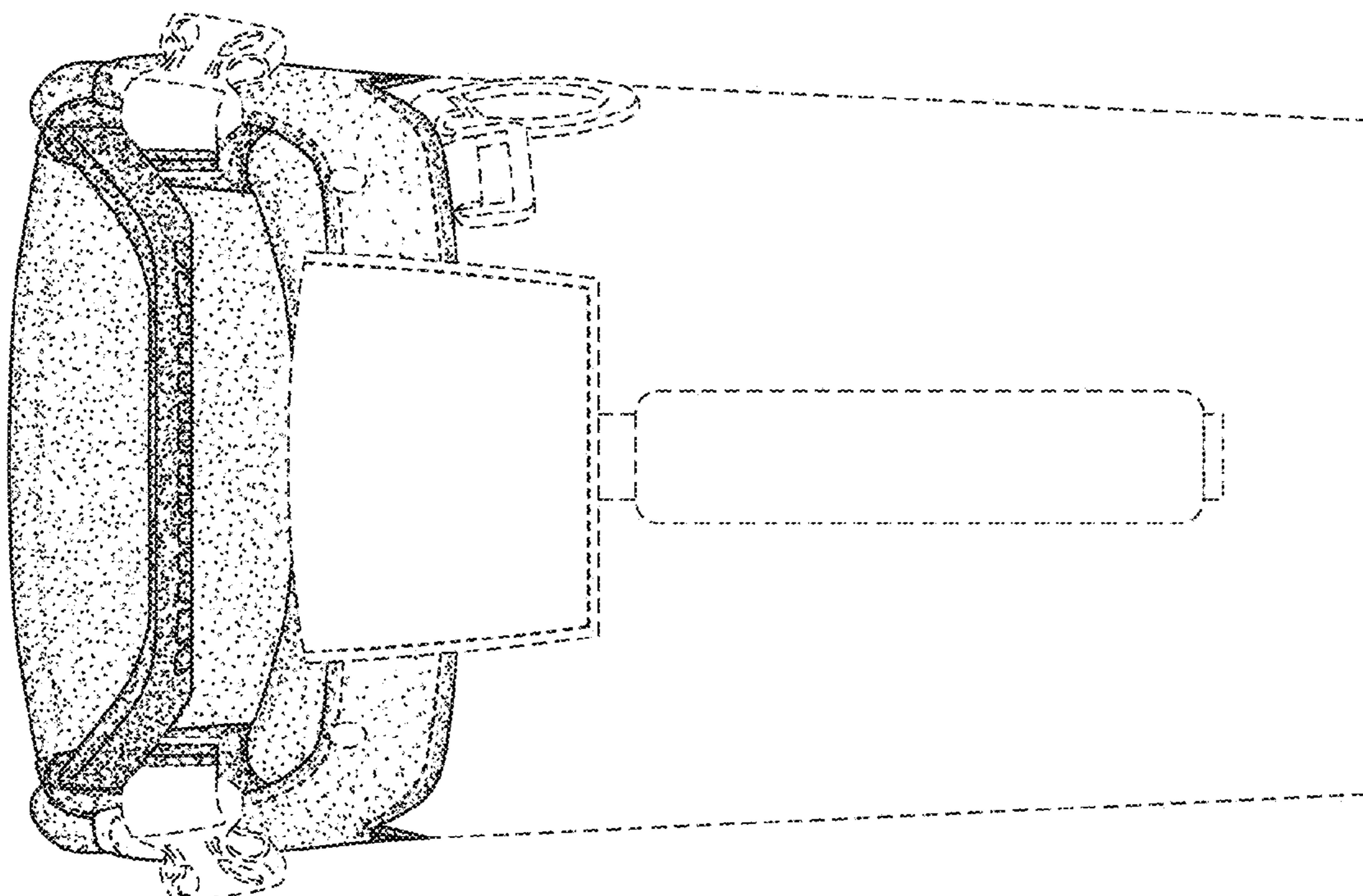


FIG. 2

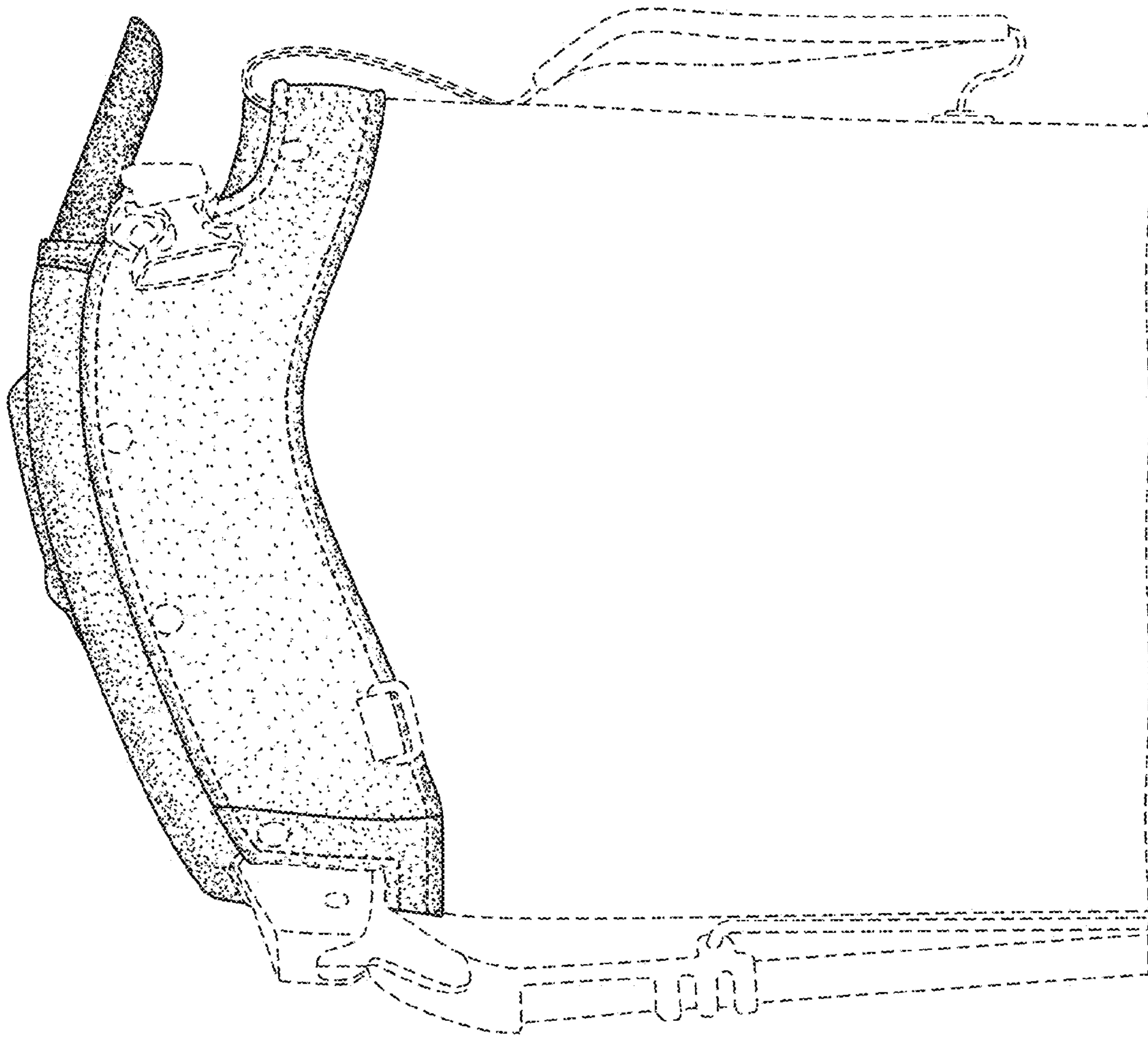


FIG. 5

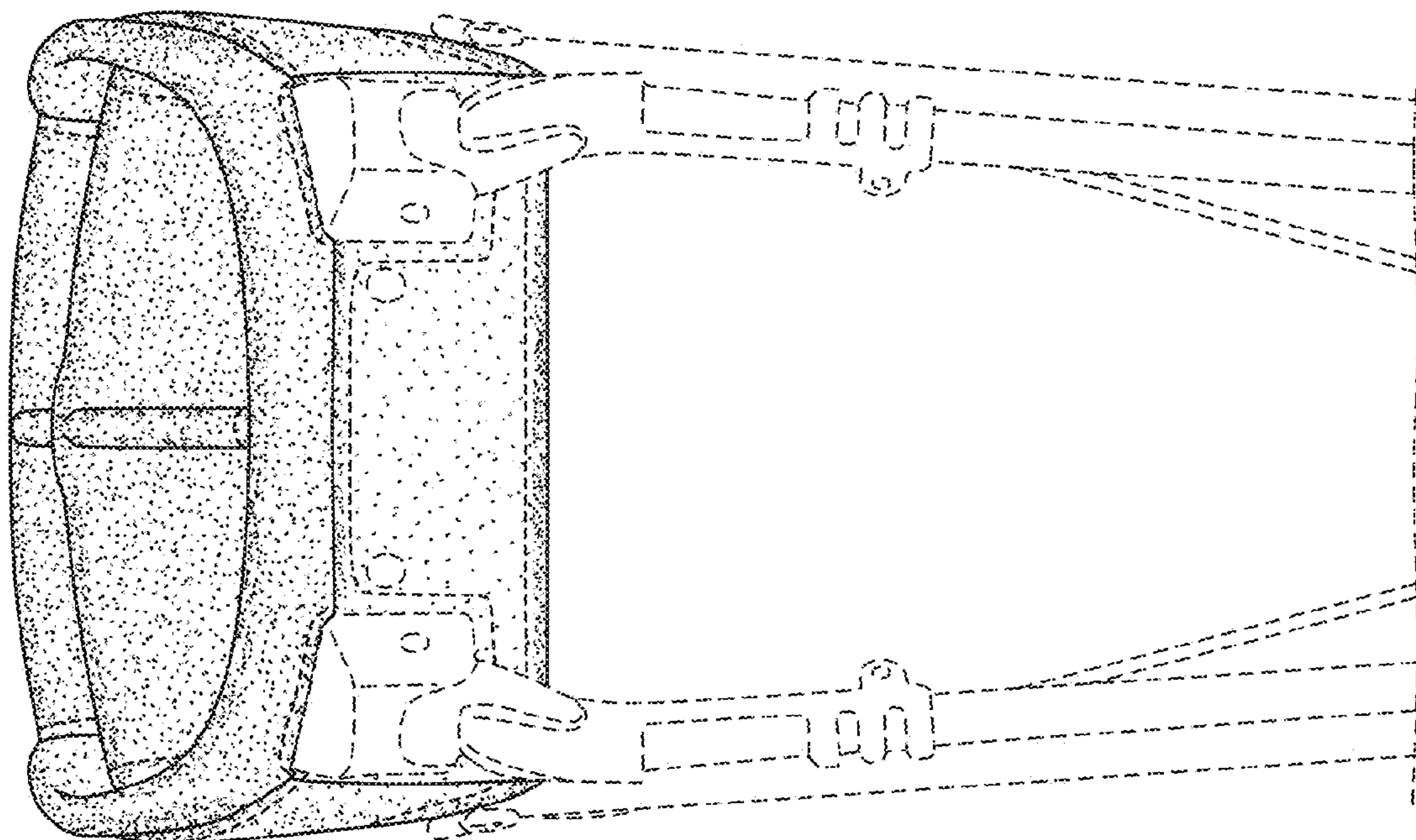


FIG. 4



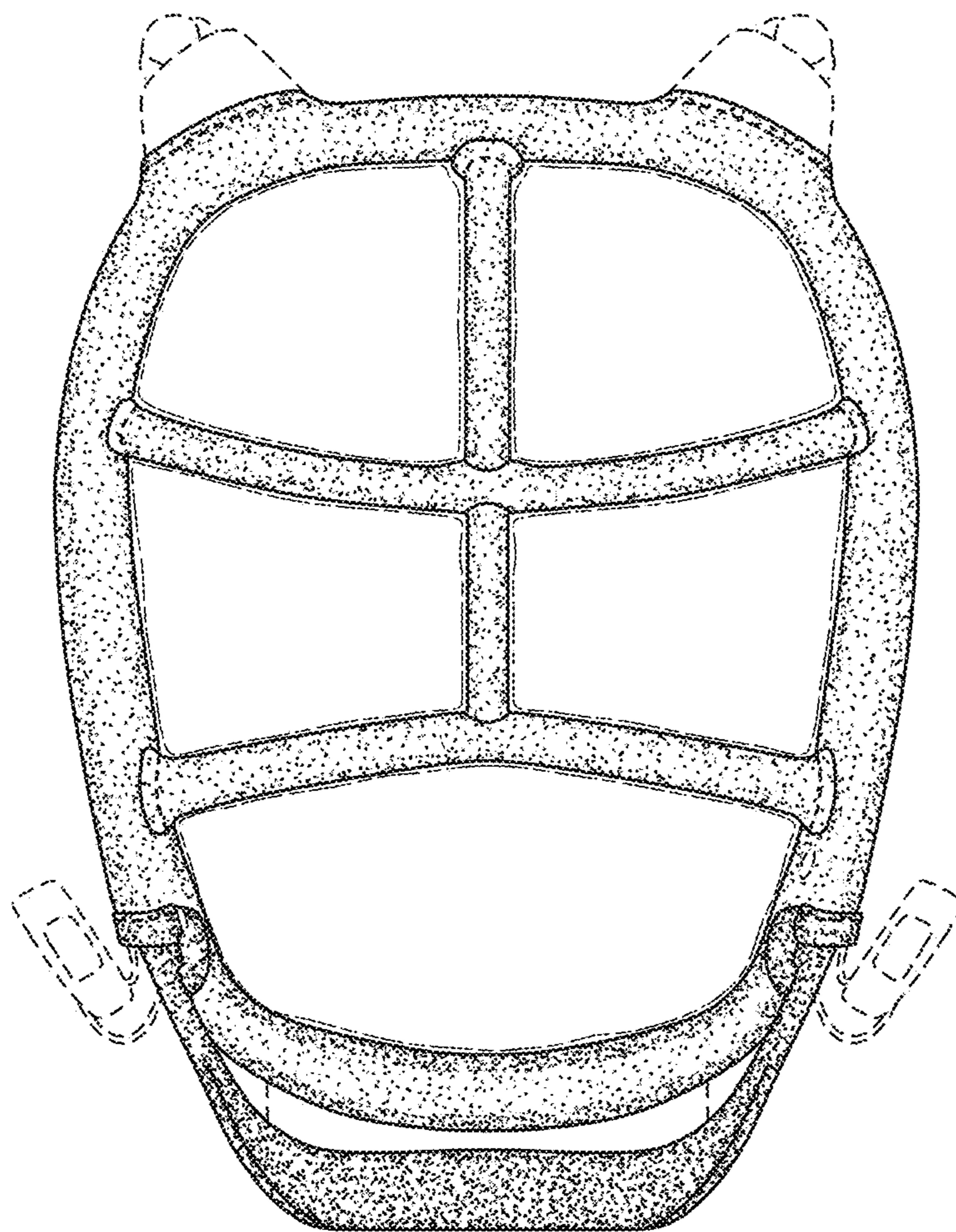


FIG. 6