

US00D871065S

(12) **United States Design Patent** (10) **Patent No.:** **US D871,065 S**
Maier (45) **Date of Patent:** **** Dec. 31, 2019**

(54) **HANDBAG**

(71) Applicant: **BOTTEGA VENETA SA**, Cadempino (CH)

(72) Inventor: **Thomas Rudolf Maier**, Palm Beach, FL (US)

(73) Assignee: **BOTTEGA VENETA SA**, Cadempino (CH)

(**) Term: **15 Years**

(21) Appl. No.: **29/621,927**

(22) Filed: **Oct. 12, 2017**

Related U.S. Application Data

(62) Division of application No. 35/501,123, filed on May 17, 2016 (U.S. filing date under 35 U.S.C. 384), and having an international filing date of May 17, 2016, now Pat. No. Des. 811,737.

(51) **LOC (12) Cl.** **03-01**

(52) **U.S. Cl.**
USPC **D3/246; D3/232**

(58) **Field of Classification Search**
USPC D3/201, 217, 232–233, 240–243, D3/245–247, 249–253, 318, 321, 322
CPC A45C 1/024; A45C 3/06
See application file for complete search history.

(56) **References Cited**

U.S. PATENT DOCUMENTS

D604,950 S *	12/2009	Greiner	D3/246
D819,967 S *	6/2018	Carter	D3/246
D827,299 S *	9/2018	Vickery	D3/246
D855,982 S *	8/2019	McGinn	D3/246

* cited by examiner

Primary Examiner — Holly E Thurman

(74) *Attorney, Agent, or Firm* — Lucas & Mercanti, LLP

(57) **CLAIM**

The ornamental design for a handbag, as shown and described.

DESCRIPTION

FIG. 1 is a front perspective view of the handbag according to the design;

FIG. 2 is a front view thereof;

FIG. 3 is a rear view thereof;

FIG. 4 is a left side view thereof;

FIG. 5 is a right side view thereof;

FIG. 6 is a top view thereof; and,

FIG. 7 is a bottom view thereof.

The broken lines on the periphery and surface of the handbag form no part of the claimed design. The broken lines on the handles of the handbag represent stitching and form a part of the claimed design.

1 Claim, 7 Drawing Sheets





FIGURE 1



FIGURE 2



FIGURE 3

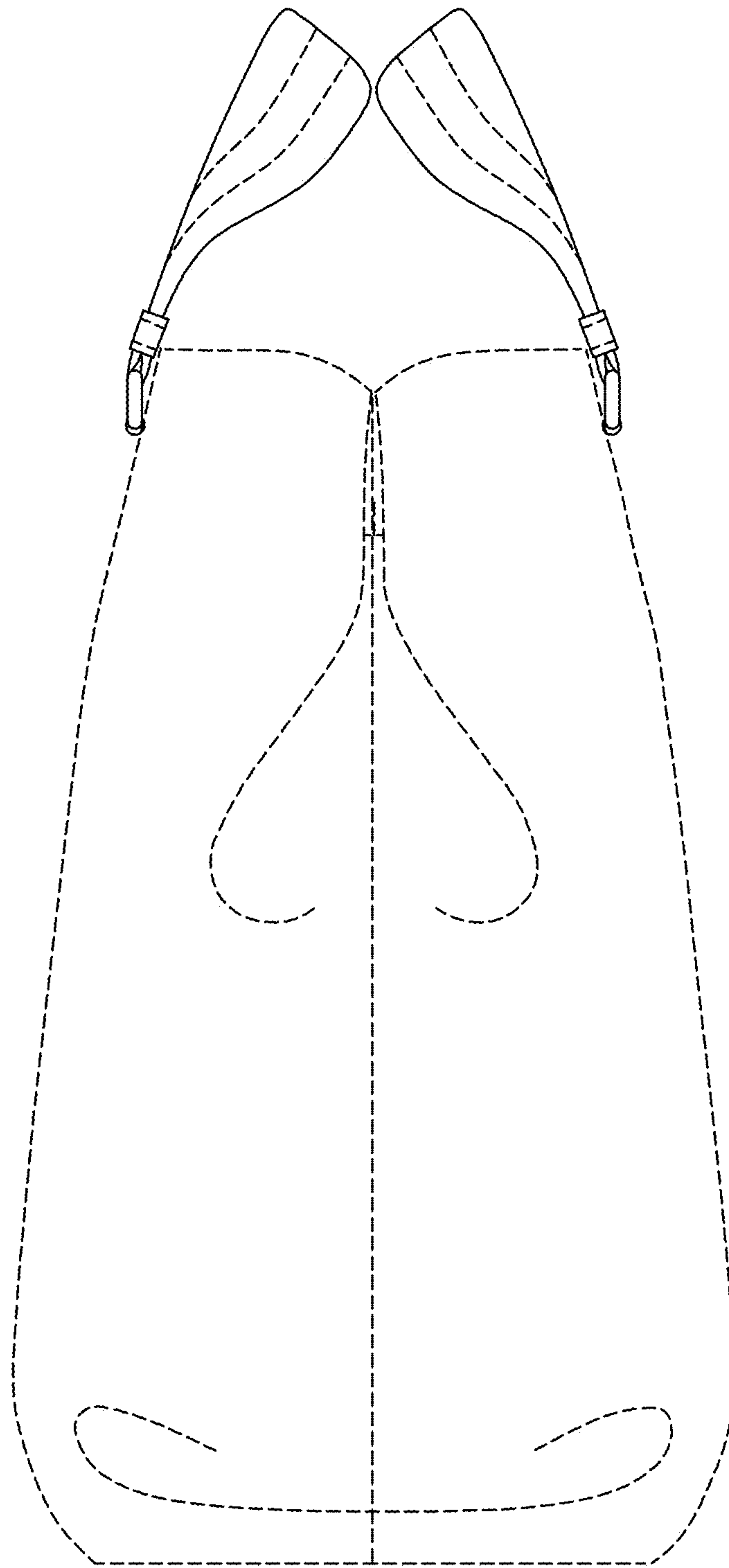


FIGURE 4

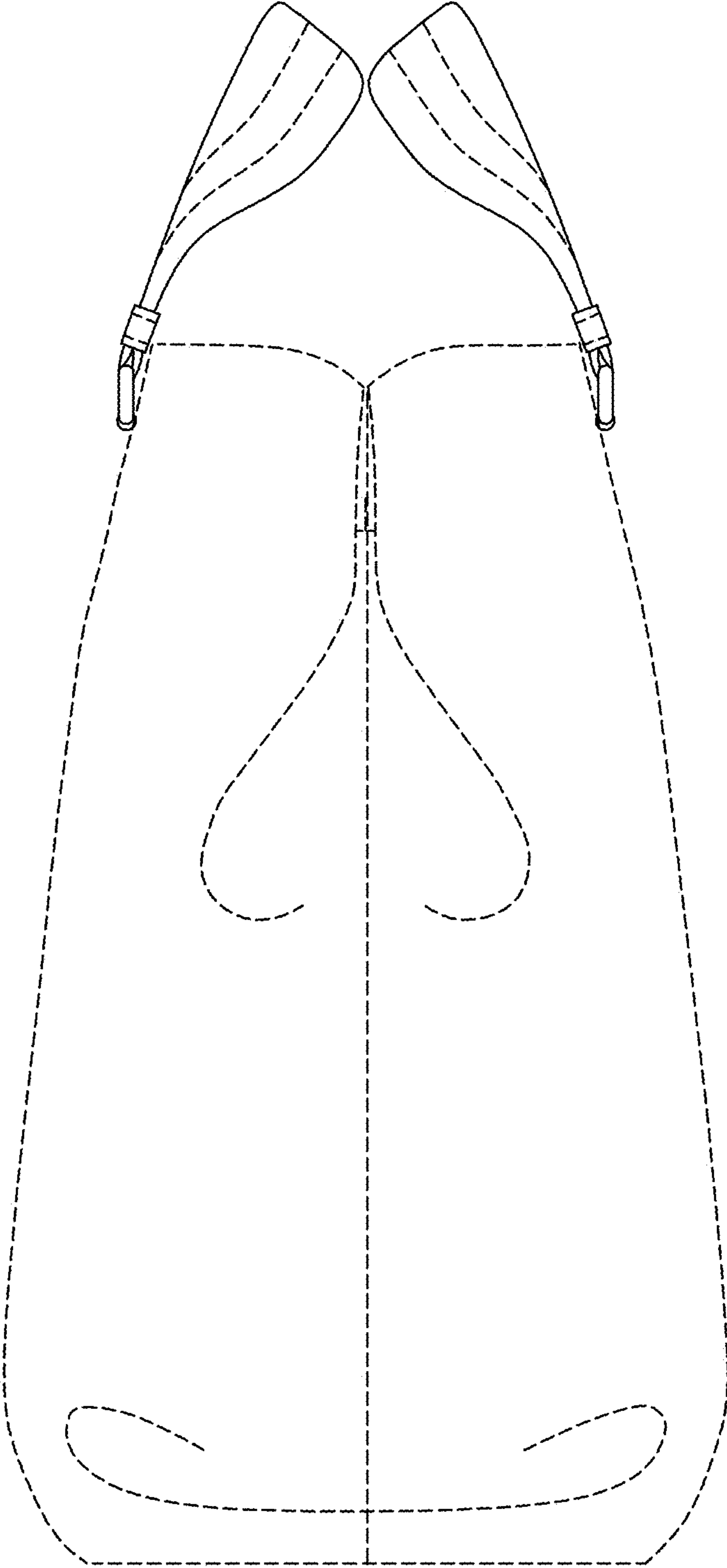


FIGURE 5

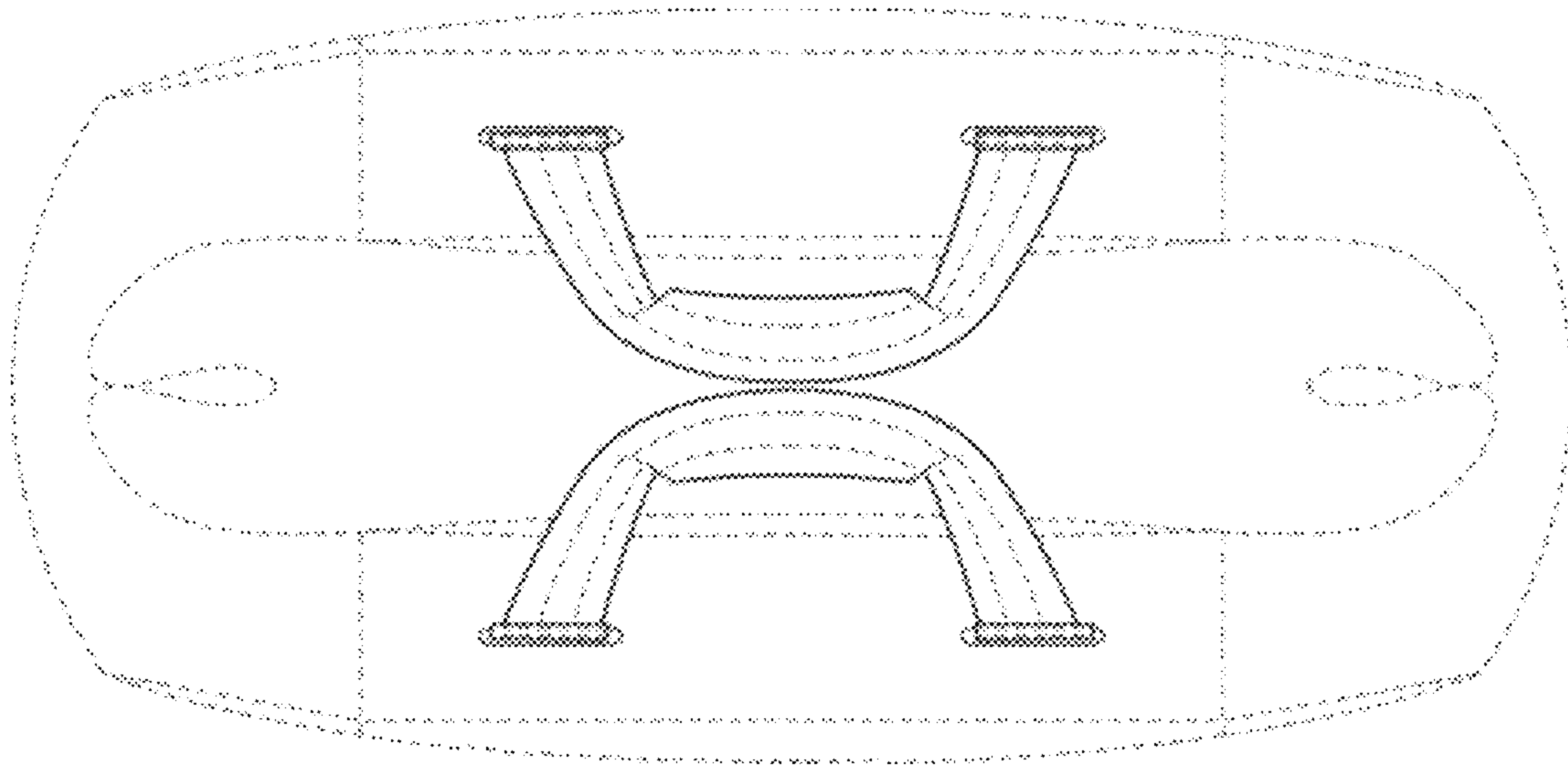


FIGURE 6



FIGURE 7